



US00D880575S

(12) **United States Design Patent**  
**Thixton**

(10) **Patent No.:** **US D880,575 S**

(45) **Date of Patent:** **\*\* Apr. 7, 2020**

(54) **EYEGLASSES**

(71) Applicant: **Oakley, Inc.**, Foothill Ranch, CA (US)

(72) Inventor: **Lek Haagen Thixton**, Eastsound, WA (US)

(73) Assignee: **Oakley, Inc.**, Foothill Ranch, CA (US)

(\*\*) Term: **15 Years**

(21) Appl. No.: **29/664,411**

(22) Filed: **Sep. 25, 2018**

(51) **LOC (12) Cl.** ..... **16-06**

(52) **U.S. Cl.**  
USPC ..... **D16/315; D16/320**

(58) **Field of Classification Search**  
USPC ..... D16/325, 326, 311, 300, 315, 322, 323  
CPC ..... G02C 11/12; G02C 3/003  
See application file for complete search history.

(56) **References Cited**

**U.S. PATENT DOCUMENTS**

|              |         |            |         |
|--------------|---------|------------|---------|
| D543,572 S   | 5/2007  | Yee et al. |         |
| D581,446 S   | 11/2008 | Yee        |         |
| D581,447 S * | 11/2008 | Yee        | D16/315 |
| D590,432 S   | 4/2009  | Yee        |         |
| D599,836 S * | 9/2009  | Rohrbach   | D16/315 |
| D622,755 S   | 8/2010  | Yee        |         |
| D653,699 S   | 2/2012  | Shin       |         |
| D747,402 S   | 1/2016  | Shin       |         |
| D748,188 S   | 1/2016  | Shin       |         |
| D752,678 S   | 3/2016  | Thixton    |         |
| D759,150 S * | 6/2016  | Lin        | D16/315 |
| D786,956 S * | 5/2017  | Sheldon    | D16/315 |
| D818,522 S   | 5/2018  | Garfias    |         |
| D829,271 S   | 9/2018  | Thixton    |         |
| D835,180 S * | 12/2018 | Miera      | D16/315 |
| D845,380 S * | 4/2019  | Sheldon    | D16/315 |

|              |         |         |         |
|--------------|---------|---------|---------|
| D851,166 S * | 6/2019  | Sanchez | D16/326 |
| D857,787 S * | 8/2019  | Miera   | D16/315 |
| D867,439 S * | 11/2019 | Miera   | D16/315 |

**OTHER PUBLICATIONS**

Baseball Half Rim Warp Sunglasses, posted at amazon.com, posting date Apr. 17, 2018, [online], [site visited Jan. 30, 2020]. Available from Internet, URL: <https://www.amazon.com/Baseball-Sunglasses-Bifocal-Reading-Lenses/dp/B07C7NNSXM> (Year: 2018).\*

Xloop Rimless Half Rim Sport Warp Sunglasses, posted at amazon.com, posting date Nov. 17, 2017, [online], [site visited Jan. 30, 2020]. Available from Internet, URL: <https://www.amazon.com/Xloop-Rimless-Sport-Plastic-Sunglasses/dp/B077KGRT5Y> (Year: 2017).\*

(Continued)

*Primary Examiner* — George D. Kirschbaum

*Assistant Examiner* — Maria J Edwards

(74) *Attorney, Agent, or Firm* — Sterne, Kessler, Goldstein & Fox P.L.L.C.

(57) **CLAIM**

The ornamental design for eyeglasses, as shown and described.

**DESCRIPTION**

FIG. 1 is a top front perspective view of eyeglasses showing the claimed design;

FIG. 2 is a front view thereof;

FIG. 3 is a rear view thereof;

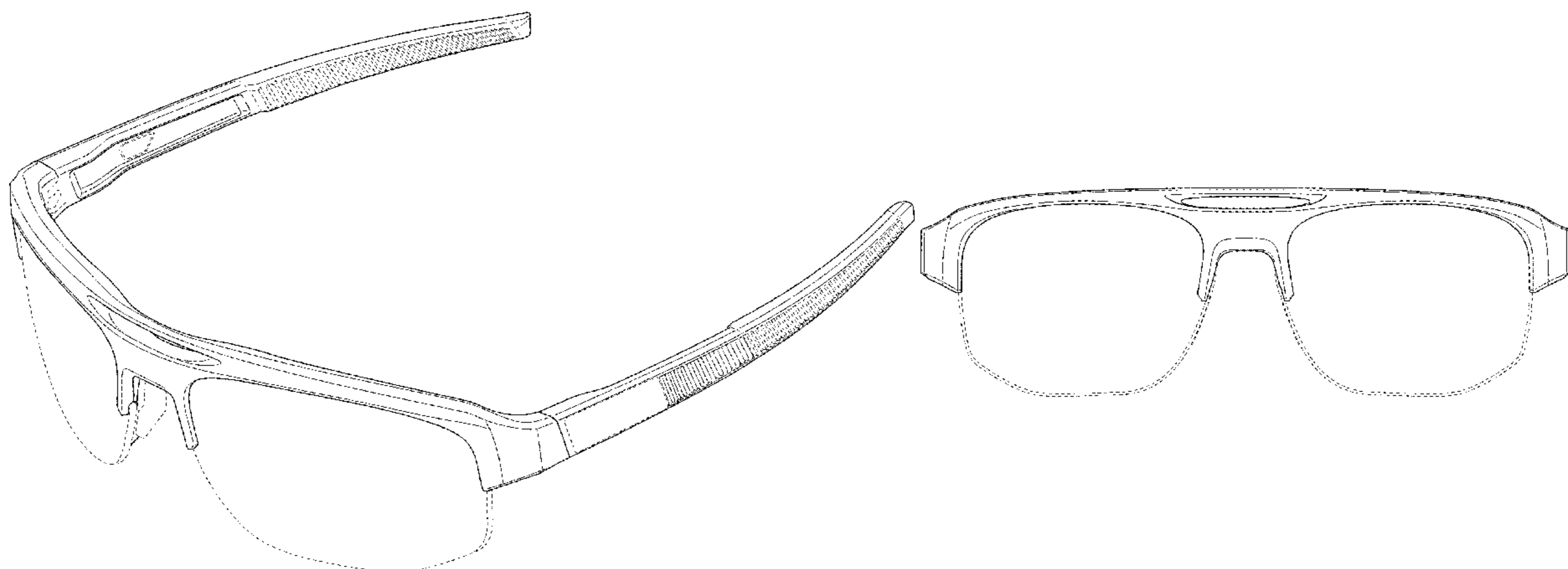
FIG. 4 is a right side view thereof, the left side view being a mirror image thereof;

FIG. 5 is a top view thereof; and,

FIG. 6 is a bottom view thereof.

The broken lines in the figures show portions of the eyeglasses that form no part of the claimed design.

**1 Claim, 5 Drawing Sheets**



(56)

**References Cited**

OTHER PUBLICATIONS

Xsportz Chito, posted at amazon.com, posting date Apr. 10, 2018, [online], [site visited Jan. 30, 2020]. Available from Internet, URL: <https://www.amazon.com/Xsportz-Chito-Half-Rim-Polorized-Sunglasses/dp/B07BYDYKSF> (Year: 2018).\*

U.S. Appl. No. 29/664,412, filed Sep. 25, 2018.

U.S. Appl. No. 29/664,414, filed Sep. 25, 2018.

U.S. Appl. No. 29/664,417, filed Sep. 25, 2018.

\* cited by examiner

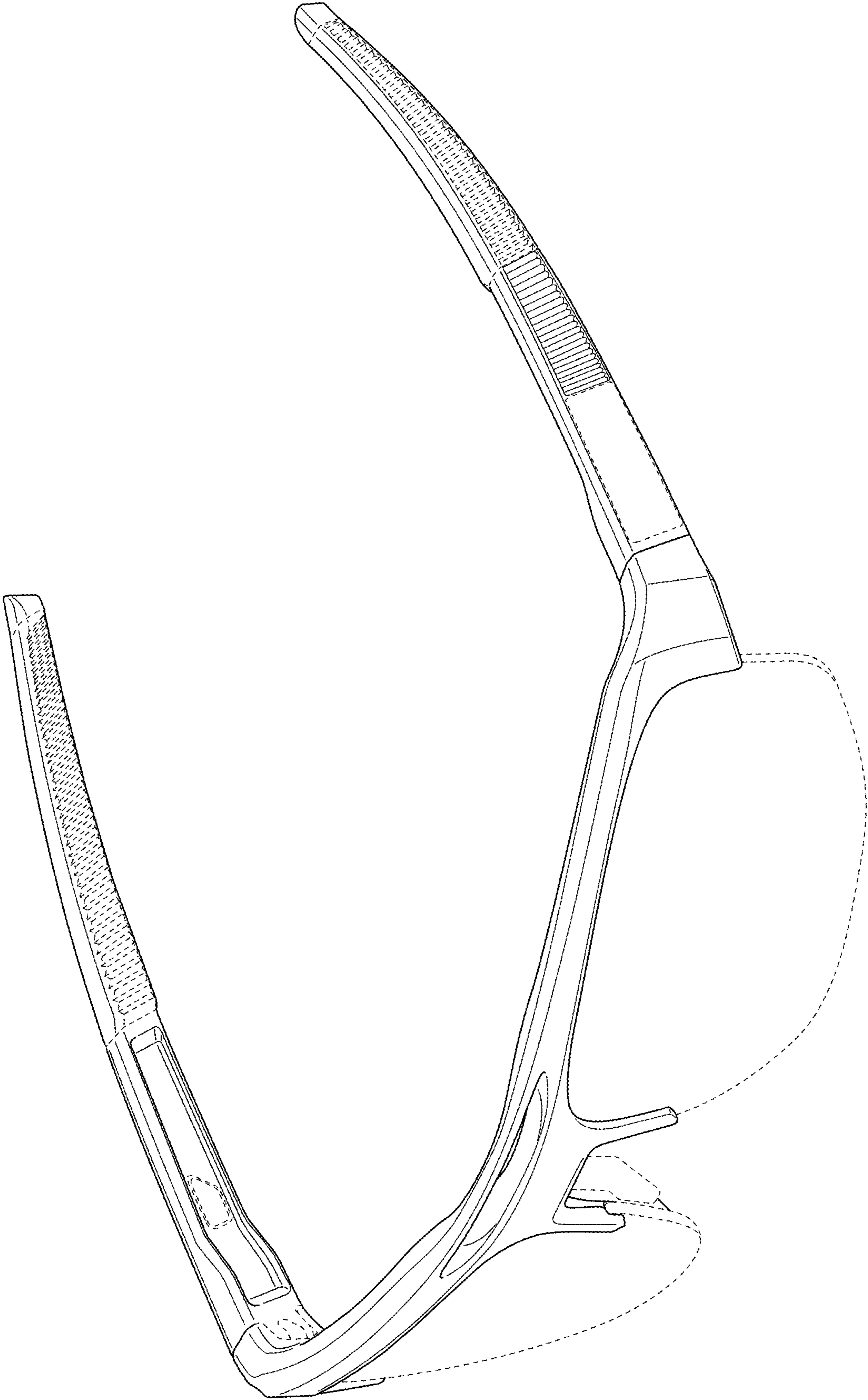


FIG. 1

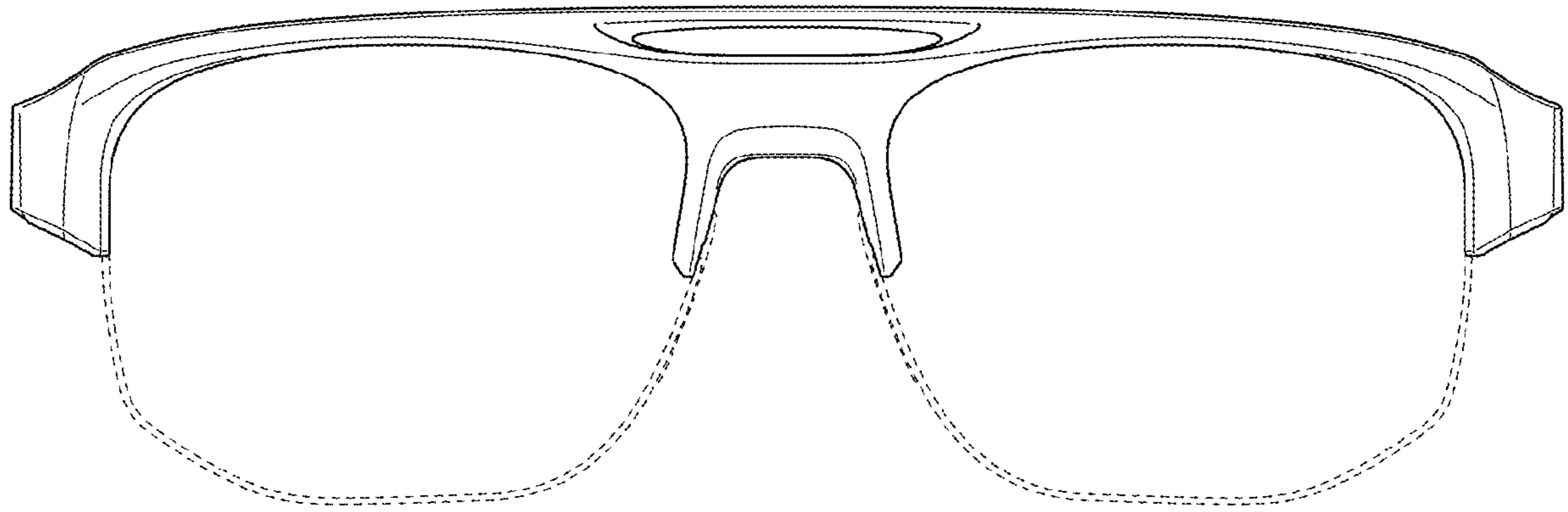


FIG. 2

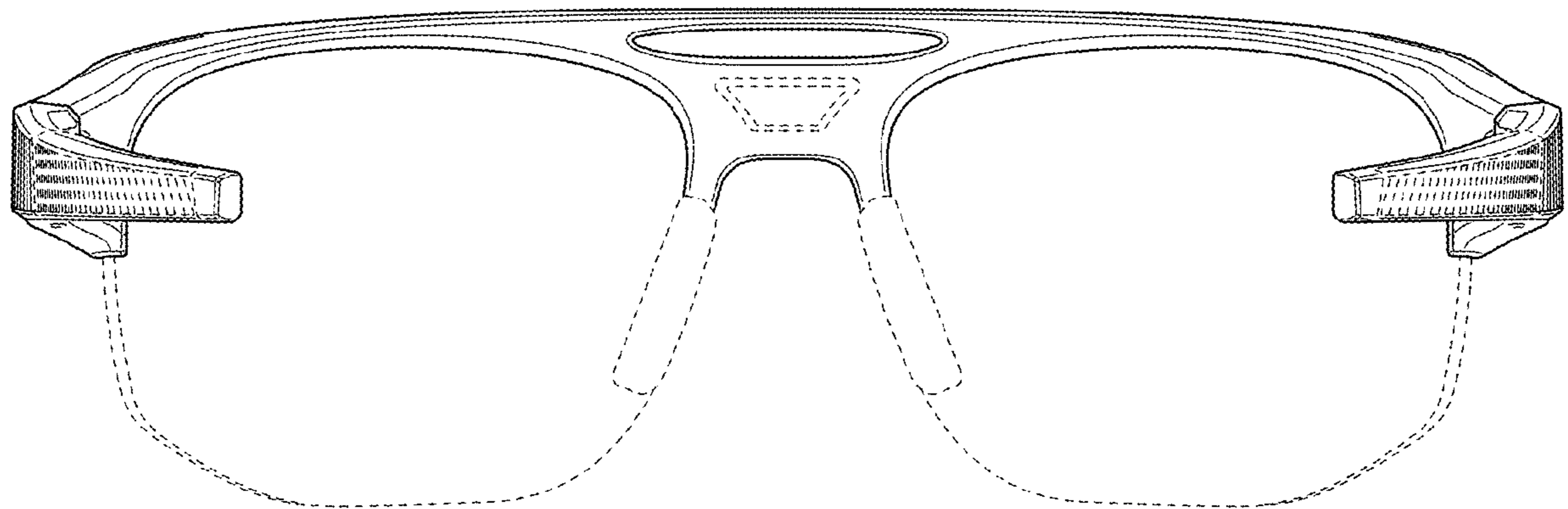


FIG. 3

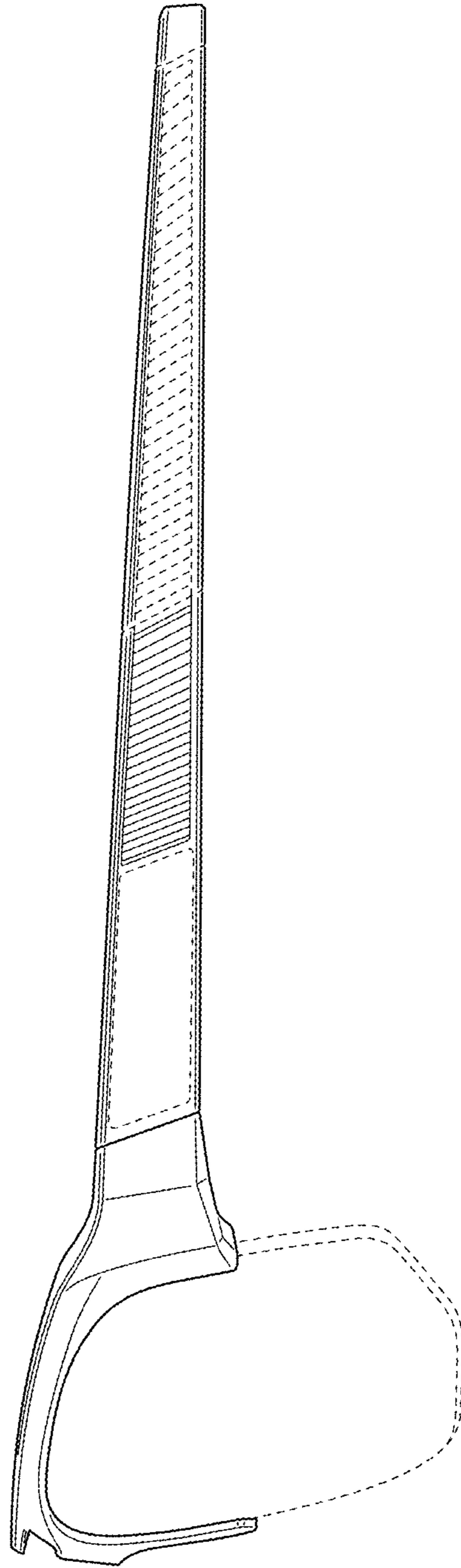


FIG. 4

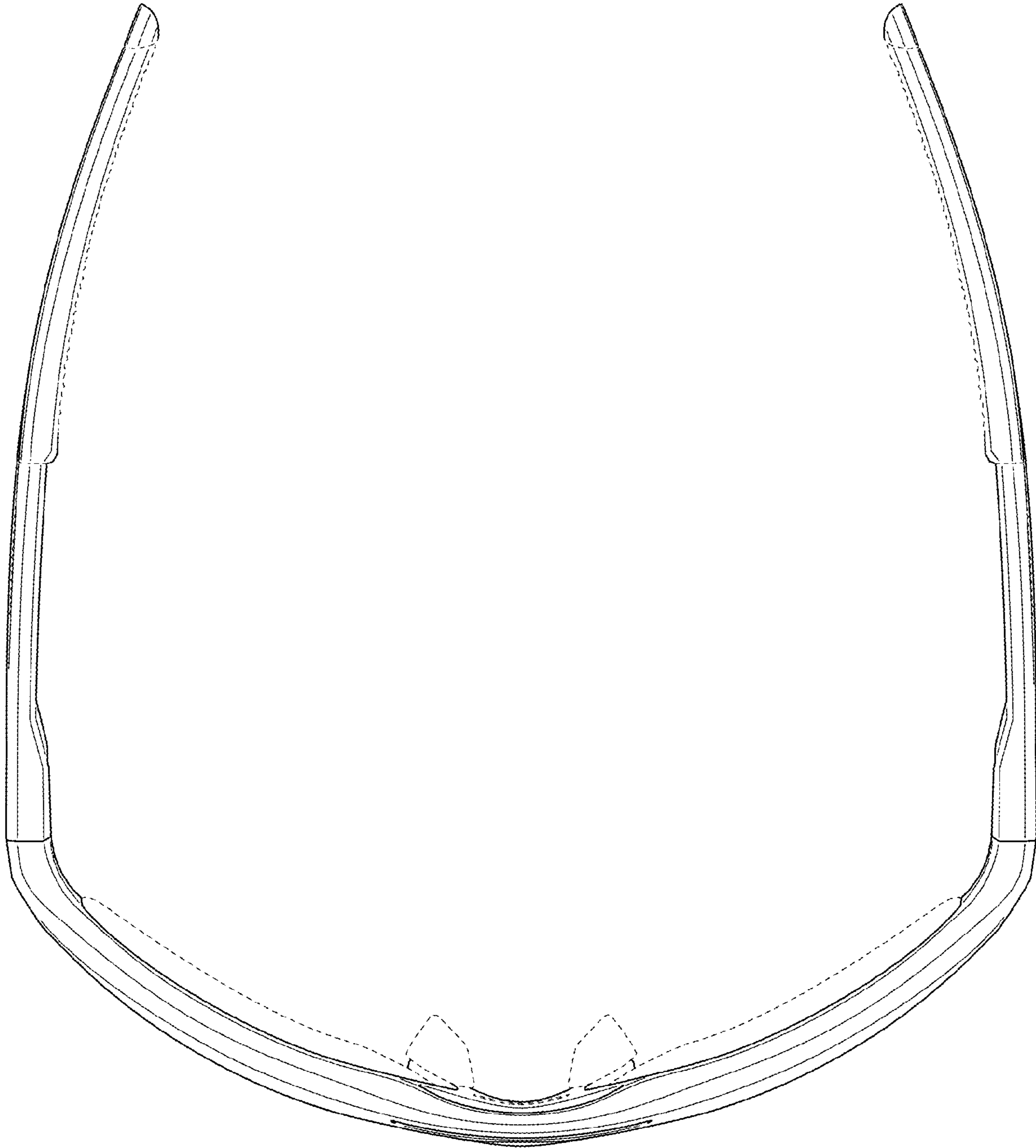


FIG. 5

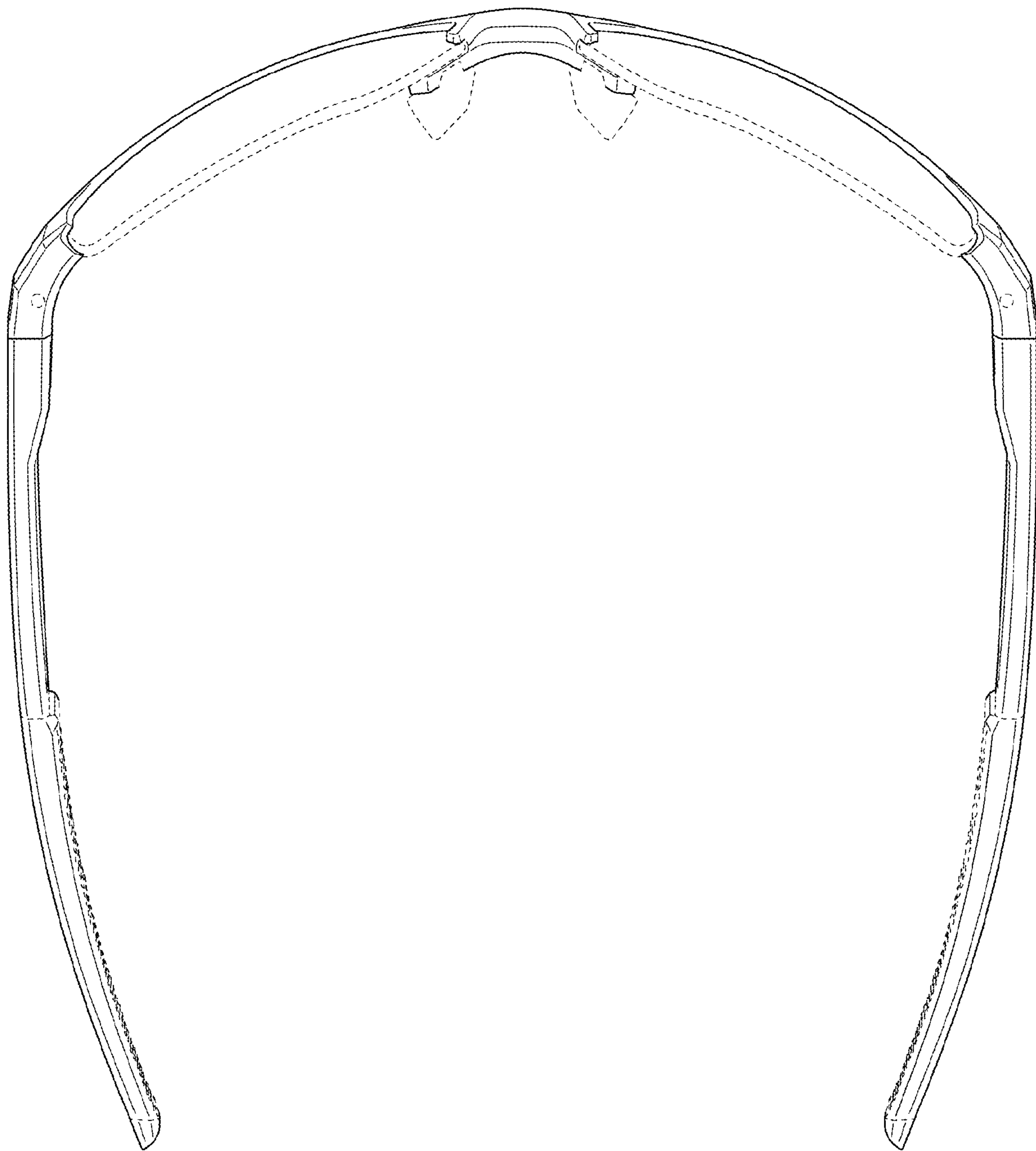


FIG. 6