



US00D880572S

(12) **United States Design Patent**  
**Lu**

(10) **Patent No.:** **US D880,572 S**  
(45) **Date of Patent:** **\*\* Apr. 7, 2020**

(54) **BABY SUNGLASSES**

(71) Applicant: **Xiaolin Lu**, Yiwu (CN)

(72) Inventor: **Xiaolin Lu**, Yiwu (CN)

(\*\*) Term: **15 Years**

(21) Appl. No.: **29/699,497**

(22) Filed: **Jul. 25, 2019**

(51) **LOC (12) Cl.** ..... **02-06**

(52) **U.S. Cl.**  
USPC ..... **D16/311**

(58) **Field of Classification Search**  
USPC ..... D16/300, 311, 322, 323, 325, 326, 339  
CPC ..... G02C 3/003  
See application file for complete search history.

(56) **References Cited**

**U.S. PATENT DOCUMENTS**

D324,394 S *	3/1992	Jannard	.....	351/120
5,249,001 A *	9/1993	Jannard	.....	G02C 3/003 351/111
D466,543 S	12/2002	Beames		
D473,257 S	4/2003	Chen		
D485,290 S *	1/2004	Paolino	.....	D16/311
D485,291 S	1/2004	Paolino		
D485,292 S *	1/2004	Paolino	.....	D16/311
D485,293 S	1/2004	Paolino		
D496,063 S	9/2004	Paolino		
D565,083 S	3/2008	Tominaga		
D565,091 S	3/2008	Hsu		
D634,771 S	3/2011	Theno		
8,182,086 B2 *	5/2012	Cheong	.....	G02C 1/08 351/86
D709,122 S *	7/2014	Markovitz	.....	D16/326
8,911,075 B2 *	12/2014	Chen	.....	G02C 1/08 351/121

D751,630 S *	3/2016	Galleani	.....	D16/324
D770,559 S *	11/2016	Shin	.....	D16/326
D776,751 S *	1/2017	Cazalet	.....	D16/300
D778,978 S *	2/2017	Renon	.....	D16/326
D800,826 S *	10/2017	Renon	.....	D16/326
D856,404 S *	8/2019	Tappeiner	.....	D16/300
D857,087 S *	8/2019	Tappeiner	.....	D16/300

**OTHER PUBLICATIONS**

Cocosand Baby Sunglasses, posted at amazon.com, posting date Jul. 9, 2018, [online], [site visited Dec. 13, 2019]. Available from Internet, URL: <https://www.amazon.com/COCOSAND-Baby-Sunglasses-with-Strap/dp/B078ZVJZKM> (Year: 2018).\*  
Duco Baby Sunglasses, posted at amazon.com, posting date by Jun. 18, 2018, [online], [site visited Dec. 13, 2019]. Available from Internet, URL: <https://www.amazon.com/Duco-Sunglasses-Toddler-Strap-Included/dp/B0787XSR86> (Year: 2018).\*

(Continued)

*Primary Examiner* — George D. Kirschbaum  
*Assistant Examiner* — Maria J Edwards  
(74) *Attorney, Agent, or Firm* — ScienBiziP, P.C.

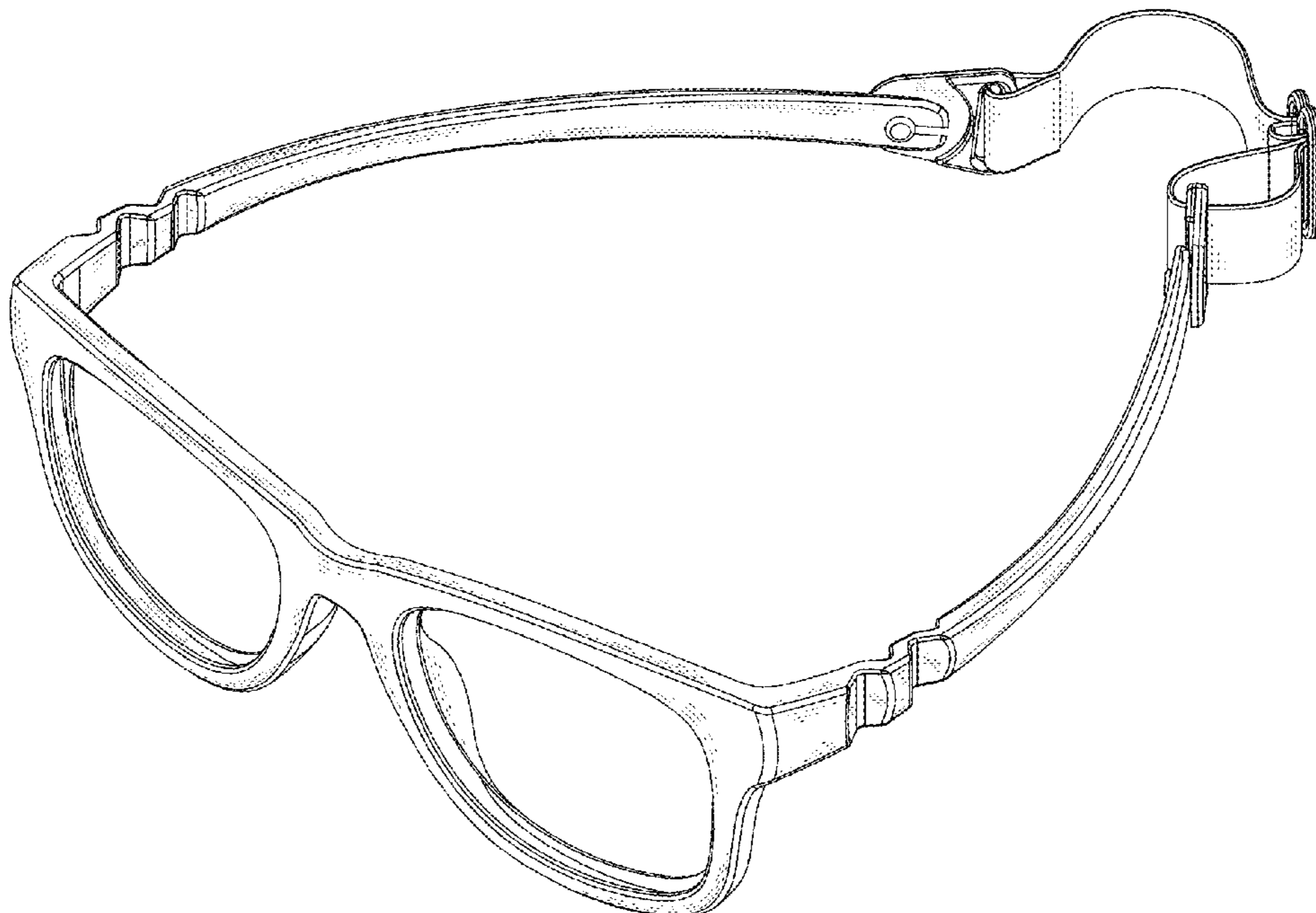
(57) **CLAIM**

The ornamental design for a baby sunglasses, as shown and described.

**DESCRIPTION**

FIG. 1 is a perspective view of a baby sunglasses showing my new design;  
FIG. 2 is a front elevation view thereof;  
FIG. 3 is a rear elevation view thereof;  
FIG. 4 is a left side elevation view thereof;  
FIG. 5 is a right side elevation view thereof;  
FIG. 6 is a top plan view thereof; and,  
FIG. 7 is a bottom plan view thereof.

**1 Claim, 7 Drawing Sheets**



(56)

**References Cited**

OTHER PUBLICATIONS

Julbo Looping Baby Sunglasses, posted at amazon.com, posting date by Feb. 28, 2011, [online], [site visited Dec. 13, 2019]. Available from Internet, URL: <https://www.amazon.com/dp/B0009H0496> (Year: 2011).\*

Ray Ban Baby Sunglasses, posted at bebabysolo.com, posting date May 8, 2019, [online], [site visited Dec. 13, 2019]. Available from Internet, URL: <https://bebabysolo.com/baby-solo-and-ray-ban-baby-sunglasses/> (Year: 2019).\*

Real Kids Shades, posted at amazon.com, posting date Feb. 18, 2016, [online], [site visited Dec. 13, 2019]. Available from Internet, URL: <https://www.amazon.com/dp/B00WONNR4M> (Year: 2016).\*

\* cited by examiner

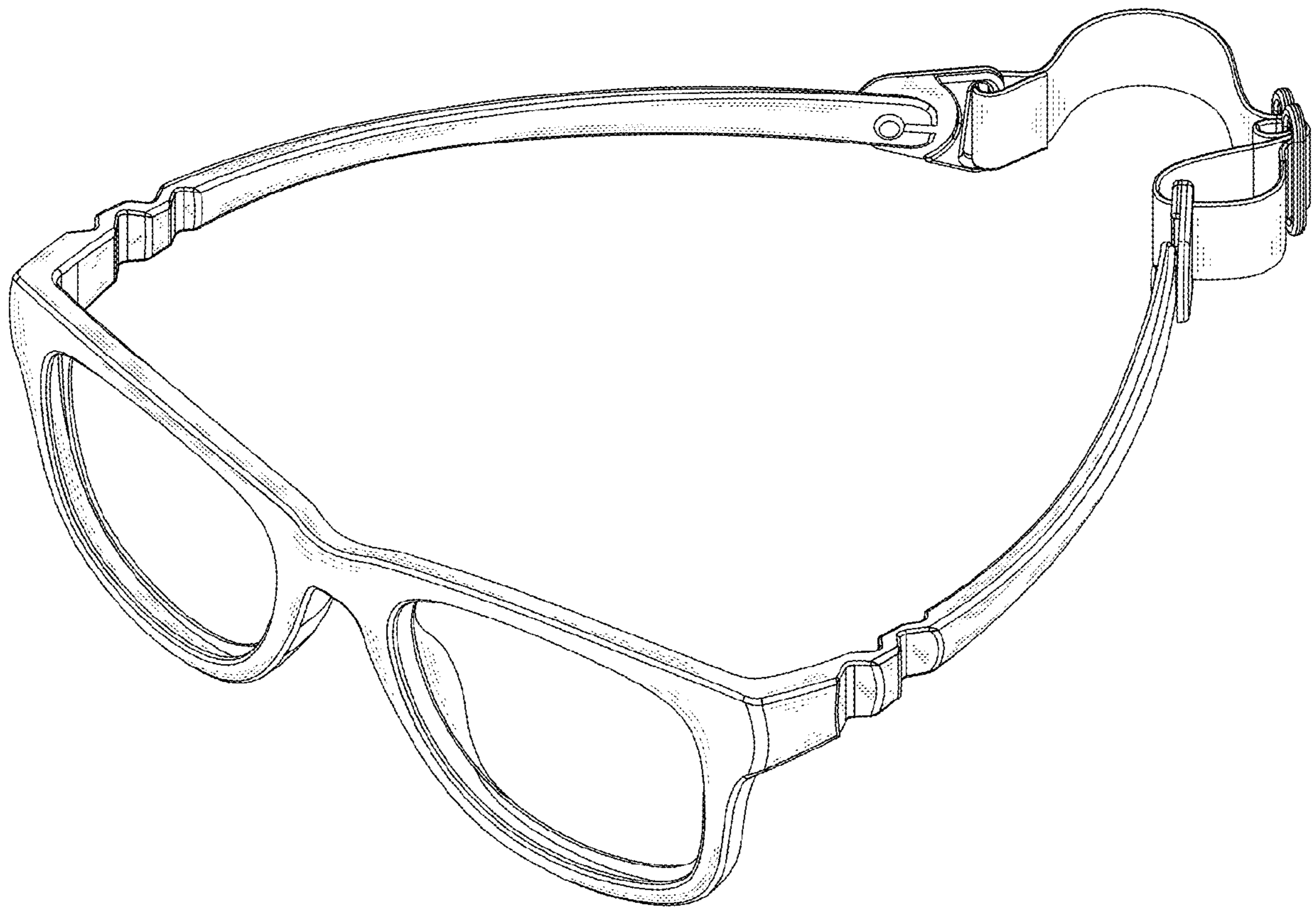


FIG. 1

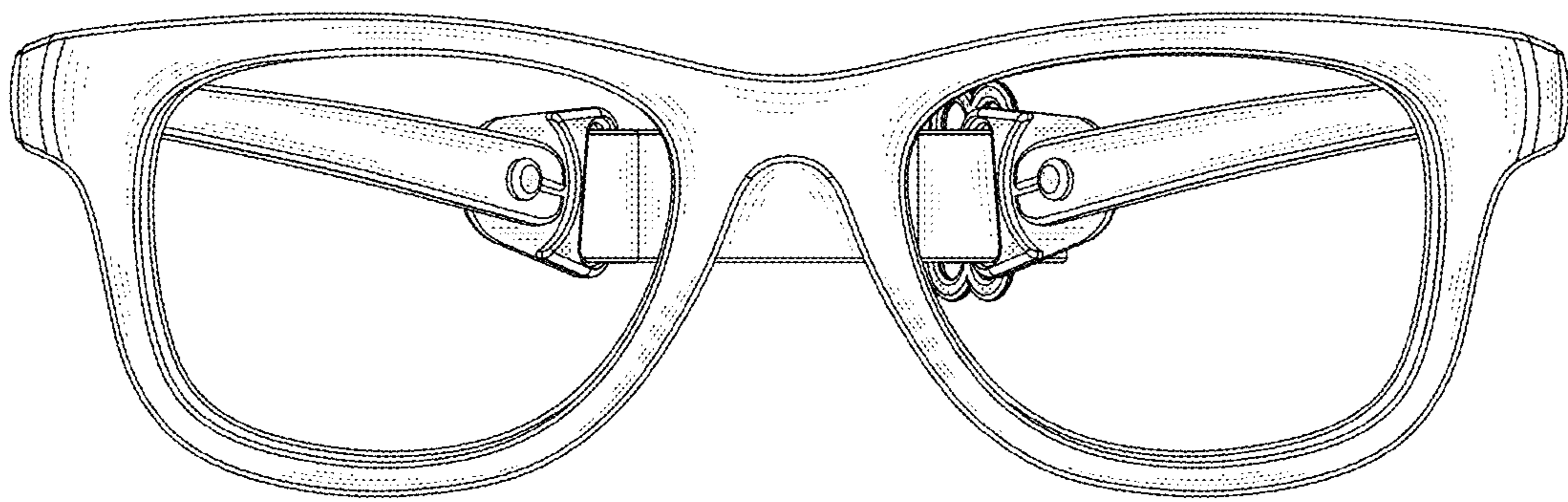


FIG. 2

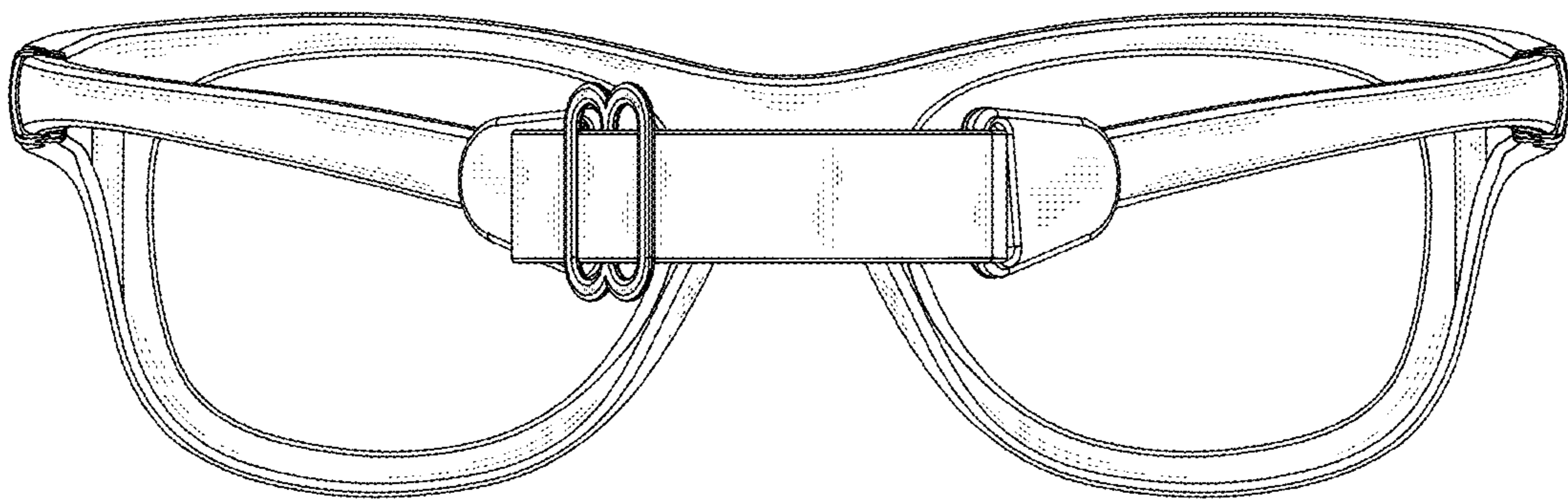


FIG. 3

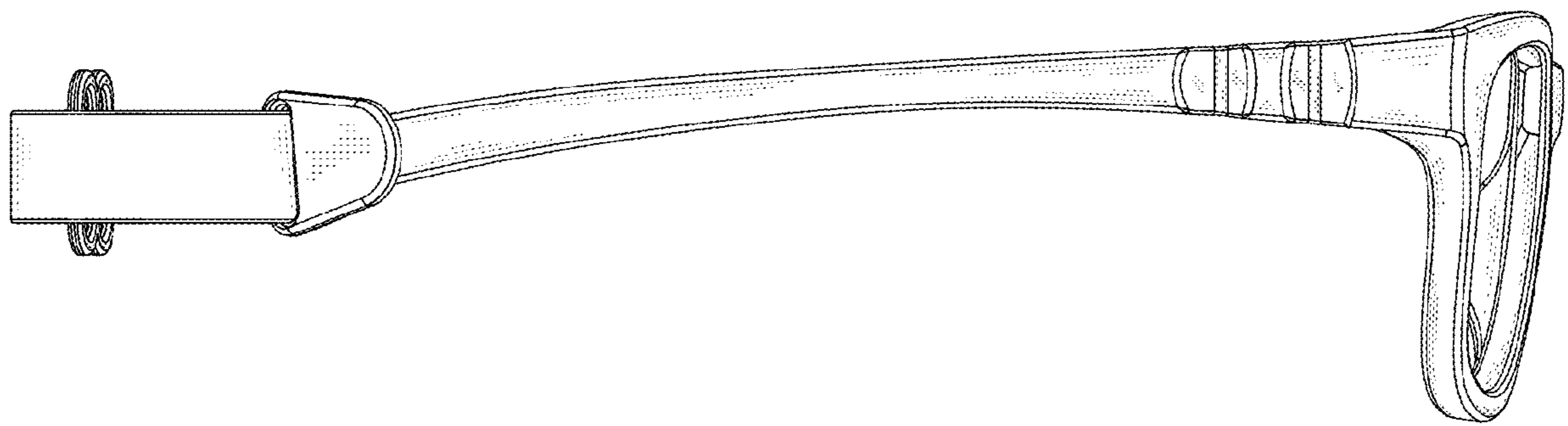


FIG. 4

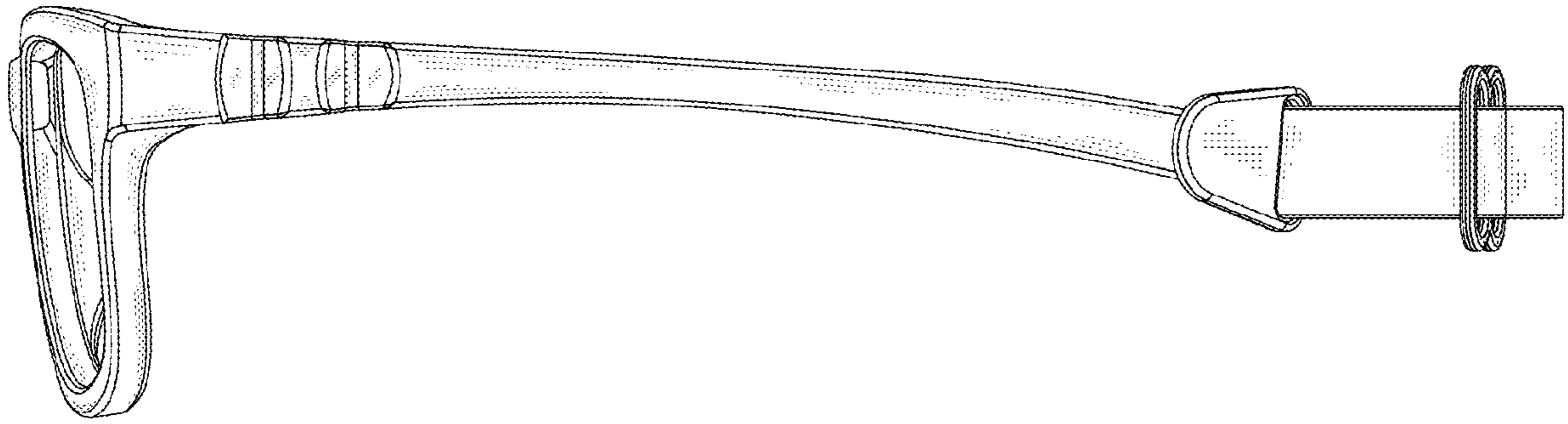


FIG.5



FIG. 6





FIG. 7