



US00D880571S

(12) **United States Design Patent** (10) **Patent No.:** **US D880,571 S**  
**Harrison et al.** (45) **Date of Patent:** **\*\* Apr. 7, 2020**

(54) **CAMERA MOUNT**

(71) Applicant: **GoPro, Inc.**, San Mateo, CA (US)

(72) Inventors: **Ryan Harrison**, Walpole, NH (US);  
**Ross Thayer**, San Jose, CA (US);  
**Arthur Kwun**, Newark, CA (US);  
**Mark Costa**, Menlo Park, CA (US)

(73) Assignee: **GoPro, Inc.**, San Mateo, CA (US)

(\*\*) Term: **15 Years**

(21) Appl. No.: **29/699,948**

(22) Filed: **Jul. 30, 2019**

**Related U.S. Application Data**

(63) Continuation of application No. 29/665,322, filed on Oct. 2, 2018, now Pat. No. Des. 861,770, which is a continuation of application No. 29/610,474, filed on Jul. 12, 2017, now Pat. No. Des. 829,809, which is a continuation of application No. 29/561,955, filed on Apr. 21, 2016, now Pat. No. Des. 800,205, which is a continuation of application No. 29/525,956, filed on May 5, 2015, now Pat. No. Des. 757,842.

(51) **LOC (12) Cl.** ..... **16-05**

(52) **U.S. Cl.**

USPC ..... **D16/242**

(58) **Field of Classification Search**

USPC ..... D16/219, 237-250; D8/354, 355, 363,  
D8/373, 382-383, 394-396; D14/224,  
D14/229, 238, 251, 447, 451, 457

CPC ..... H04N 5/2253-2254; G03B 17/561-568;  
G03B 17/56; G02B 7/00-002; F16M  
11/14; F16M 11/06-10; A45F  
2200/0508-0533; A45F 5/00; A45F 5/10

See application file for complete search history.

(56) **References Cited**

**U.S. PATENT DOCUMENTS**

D209,013 S 10/1967 McElroy  
D366,887 S 2/1996 Wood

D372,189 S 7/1996 Andis  
D373,947 S 9/1996 Parduhn  
D395,996 S 7/1998 Fischer  
D399,230 S 10/1998 Tenne  
5,842,069 A 11/1998 Konno  
5,887,375 A 3/1999 Watson  
6,315,180 B1 11/2001 Watkins

(Continued)

**FOREIGN PATENT DOCUMENTS**

EP 0845399 A2 6/1998

**OTHER PUBLICATIONS**

GoPro Head Strap+QuickClip Kopfbandhalterung. [online] Retrieved May 16, 2017 from URL: <https://www.bikecomponents.de/en/GoPro/HeadStrapQuickClipKopfbandhalterungp37358/> 2 pages.

(Continued)

*Primary Examiner* — Vy N Koenig

(74) *Attorney, Agent, or Firm* — Young Basile Hanlon & MacFarlane, P.C.

(57)

**CLAIM**

The ornamental design for a camera mount, as shown and described.

**DESCRIPTION**

FIG. 1 is a front, top, and right side perspective view of a camera mount;

FIG. 2 is a front elevational view thereof;

FIG. 3 is a rear elevational view thereof;

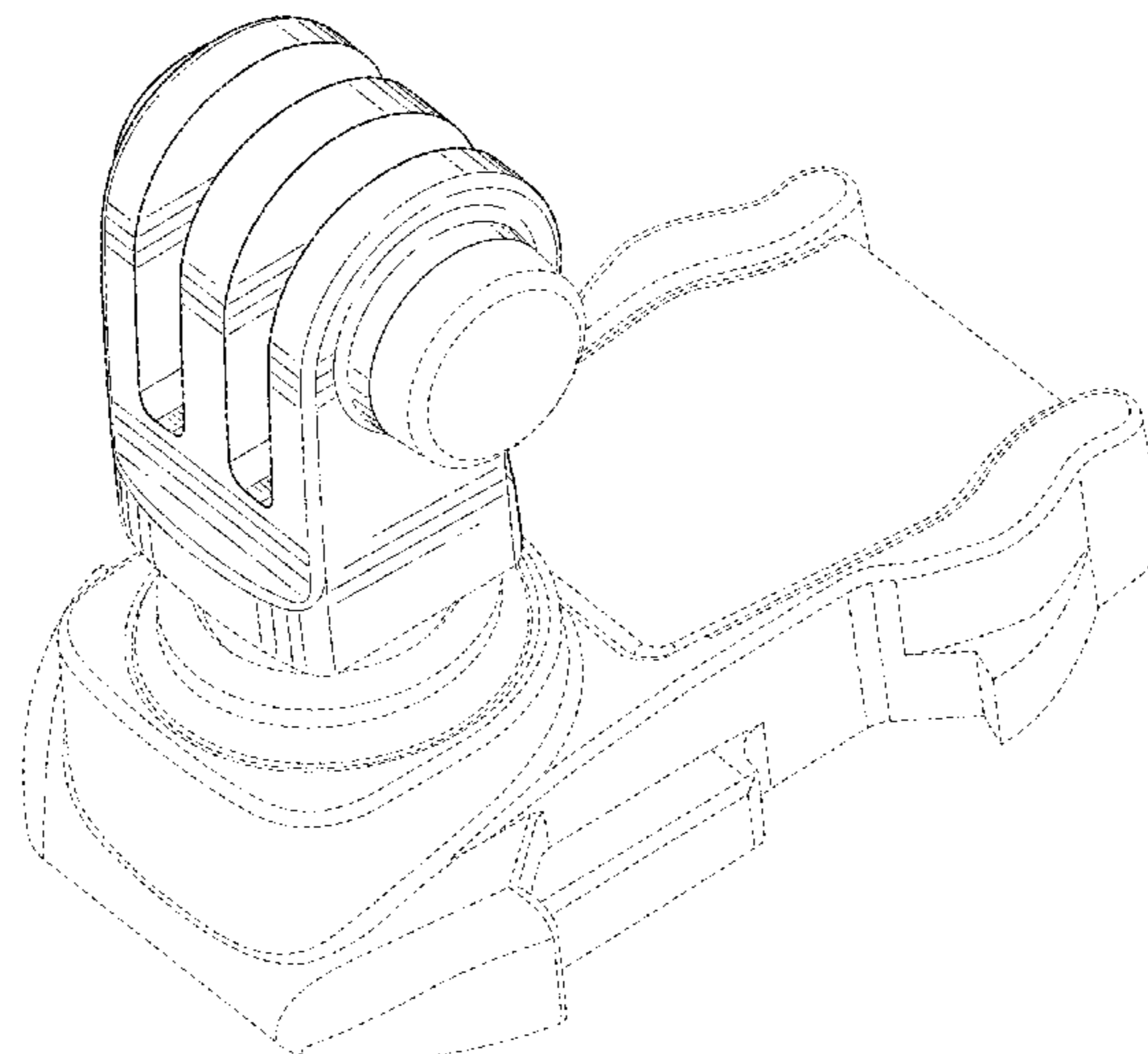
FIG. 4 is a left side elevational view thereof;

FIG. 5 is a right side elevational view thereof; and,

FIG. 6 is a top plan view thereof.

The broken lines in the drawings are included for the purpose of illustrating environmental structure and form no part of the claimed design.

**1 Claim, 6 Drawing Sheets**



(56)

References Cited

U.S. PATENT DOCUMENTS

6,654,235	B2	11/2003	Imsand	
D483,789	S	12/2003	Dordick	
D506,493	S	6/2005	Naito	
D602,974	S	10/2009	Zen	
D616,286	S	5/2010	Foresman	
D631,081	S	1/2011	Richter	
D635,445	S	4/2011	Foresman	
8,014,656	B2	9/2011	Woodman	
D649,576	S	11/2011	Jannard	
8,199,251	B2	6/2012	Woodman	
8,325,270	B2	12/2012	Woodman	
D675,661	S	2/2013	Jannard	
D710,927	S	8/2014	Eynav	
D717,360	S	11/2014	Chun	
D722,864	S *	2/2015	Greenthal	..... D8/382
D722,865	S	2/2015	Greenthal	
9,004,783	B1	4/2015	Woodman	
9,033,596	B2	5/2015	Samuels	
D757,842	S	5/2016	Harrison	
D758,473	S	6/2016	Costa	
D759,147	S	6/2016	Harrison	
9,426,341	B1	8/2016	Baldrige	
D776,745	S	1/2017	Bennett	
D776,746	S	1/2017	Bennett	
9,554,639	B1	1/2017	Harden	
D780,827	S	3/2017	Costa	
9,588,407	B1	3/2017	Harrison	
9,596,926	B1	3/2017	Volmer	
D789,177	S	6/2017	Carnevali	
D789,178	S	6/2017	Carnevali	
D800,204	S	10/2017	Harrison	
D800,205	S	10/2017	Harrison	
D800,822	S	10/2017	Costa	
D814,266	S	4/2018	Carnevali	
D814,549	S	4/2018	Carnevali	

D829,809	S	10/2018	Kwun	
D841,722	S	2/2019	Woodman	
D842,360	S *	3/2019	Achenbach	..... D16/242
D861,770	S *	10/2019	Harrison	..... D16/245
2013/0107111	A1	5/2013	Campbell	
2014/0027591	A1	1/2014	Fountain	
2015/0316205	A1	11/2015	Bennett	
2017/0108759	A1	4/2017	Clearman	
2017/0108760	A1	4/2017	Achenbach	

OTHER PUBLICATIONS

GoPro, Inc., 'Grab Bag of Mounts,' 2014, 2 Pages, [online][Archived on webarhive.org on Mar. 29, 2014][Retrieved on Aug. 31, 2015] Retrieved from the internet <URL:https://web.archive.org/web/20140329112413/http://gopro.com/camera-mounts/grab-bag-of-mounts#features>. 2 pages.

J-Hook Buckle Mount Quick Release Buckle 360° Rotation. [online] Published Apr. 17, 2014. Retrieved Apr. 24, 2018 from URL: https://www.miniinthebox.com/p/telesin-360-degree-rotary-j-shape-fast-assembling-mount-buckle-for-gopro-hd-hero-2-3-3 p1278233.html, 8 pages.

PCT International Search Report for Written Opinion for PCT/US2013/062061, Mar. 3, 2014, 15 pages.

Polaroid 2x Vertical Surface J-hook Buckle Mount for GoPro HER04, 3+ and 3 Cameras, [online] Retrieved May 16, 2017 from URL: <https://www.adorama.com/ipdgp2jhb.html> 4 pages.

Polaroid Quick Release Buckle Mount for GoPro HER04, 3+ and 3 Cameras, 2 Pack, [online] Retrieved May 16, 2017 from URL: <https://www.adorama.com/ipdgp2bm.html?gclid=CNnnhIHc9NMCFRGHswodKWQCeg> 4 pages.

Session Quick Release Buckle. [online] Published on Jan. 8, 2017. Retrieved Apr. 24, 2018 from URL: http://wetgill.com/?p=Product&id=703, 2 pages.

\* cited by examiner

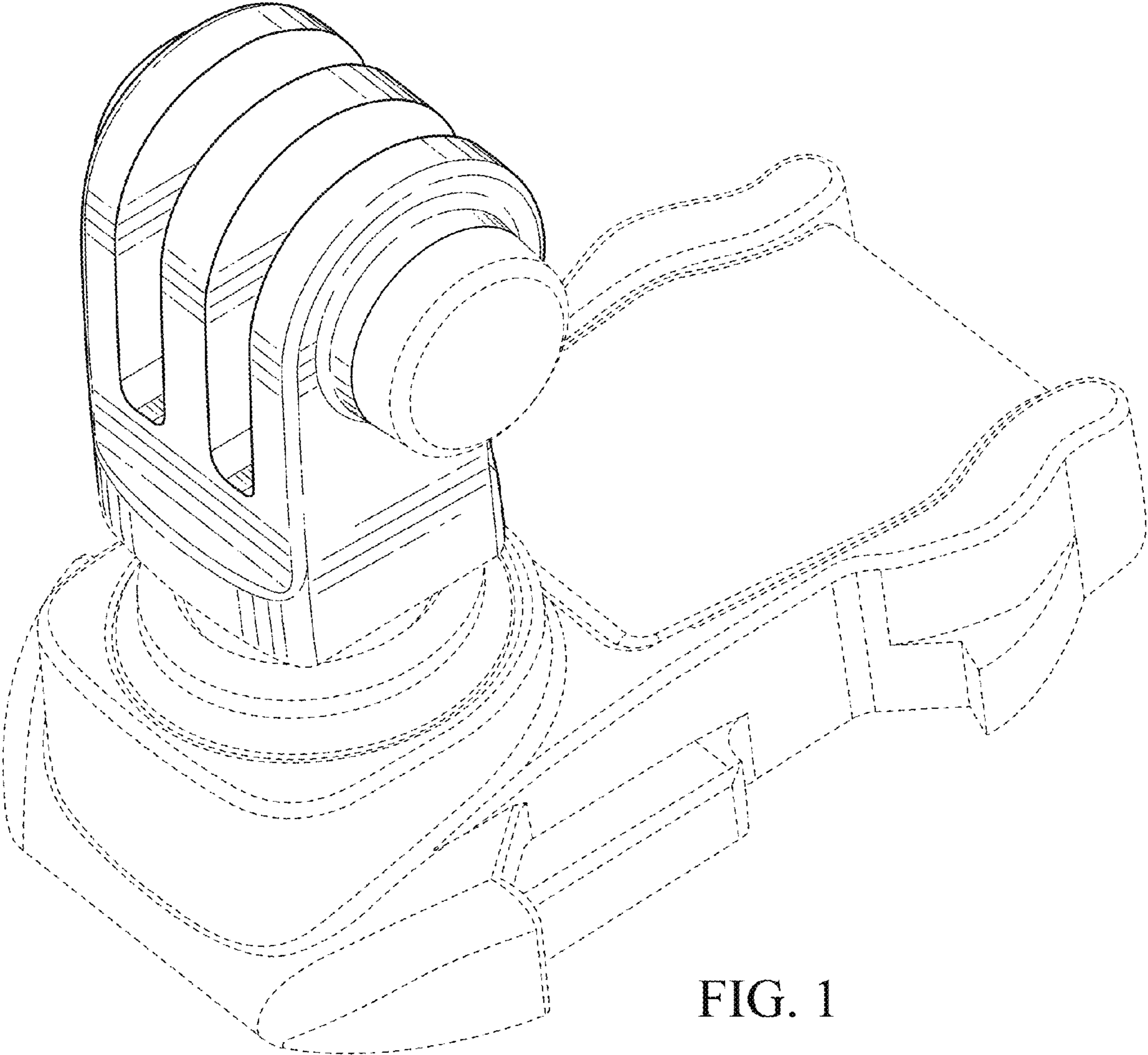


FIG. 1

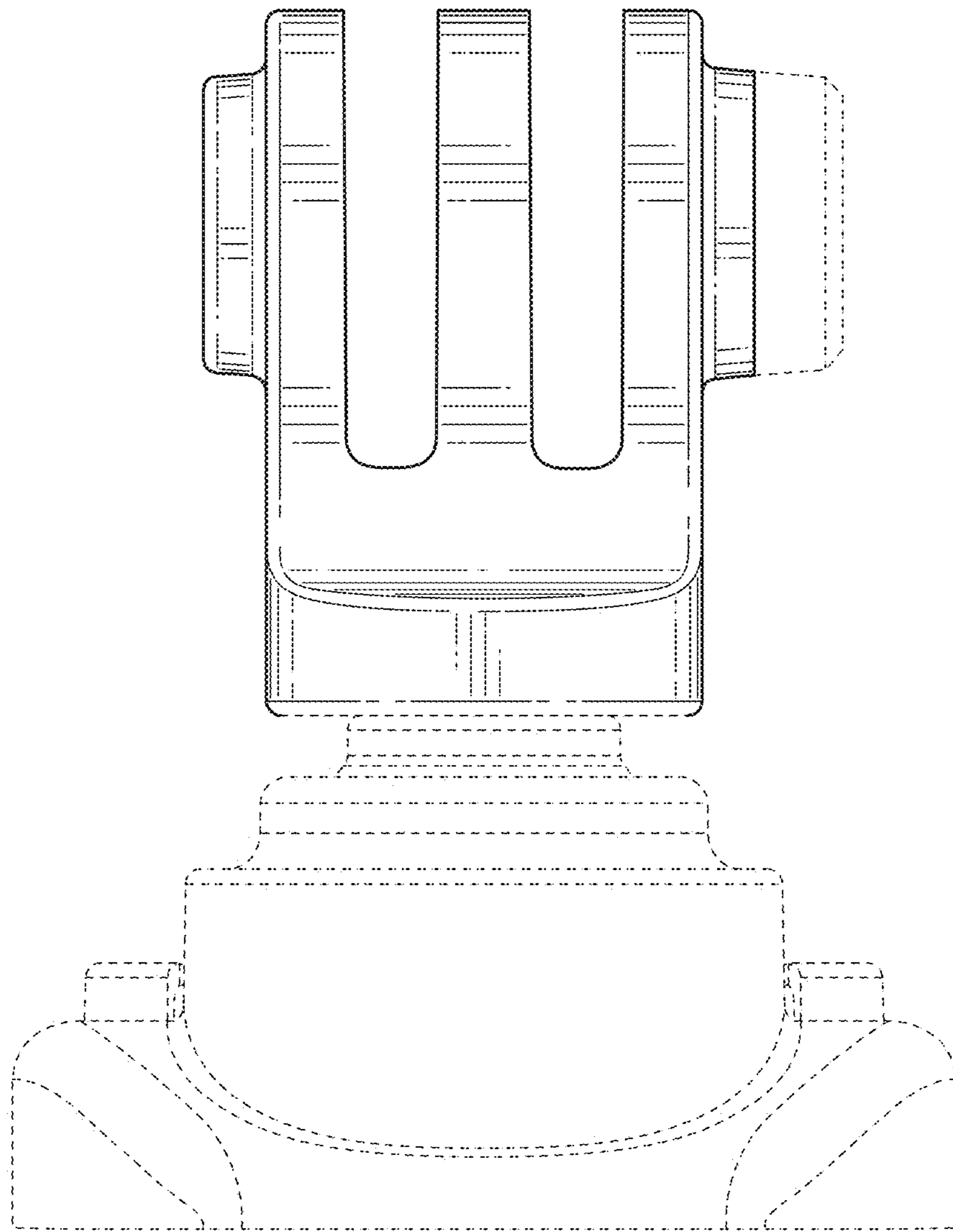


FIG. 2

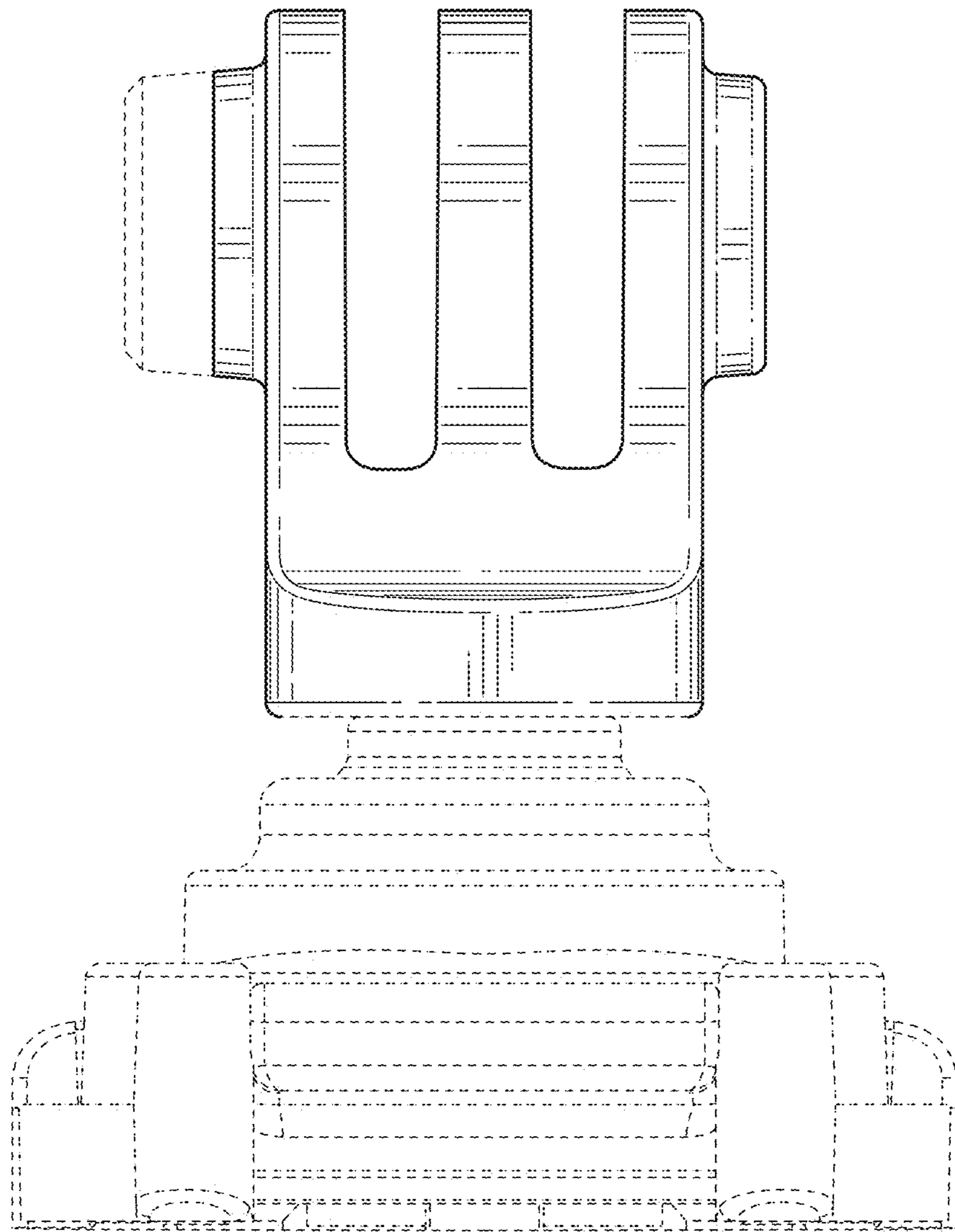


FIG. 3

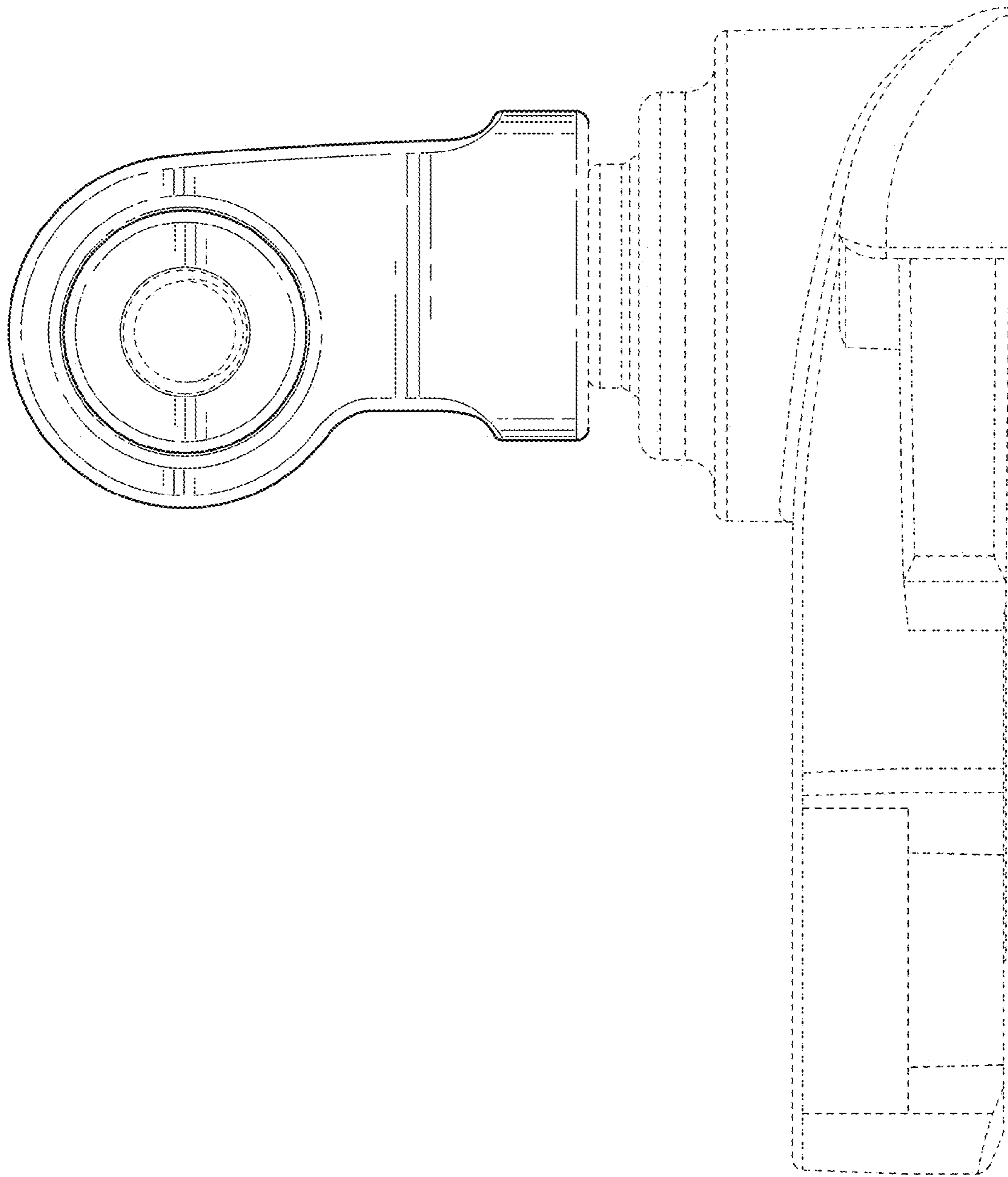


FIG. 4

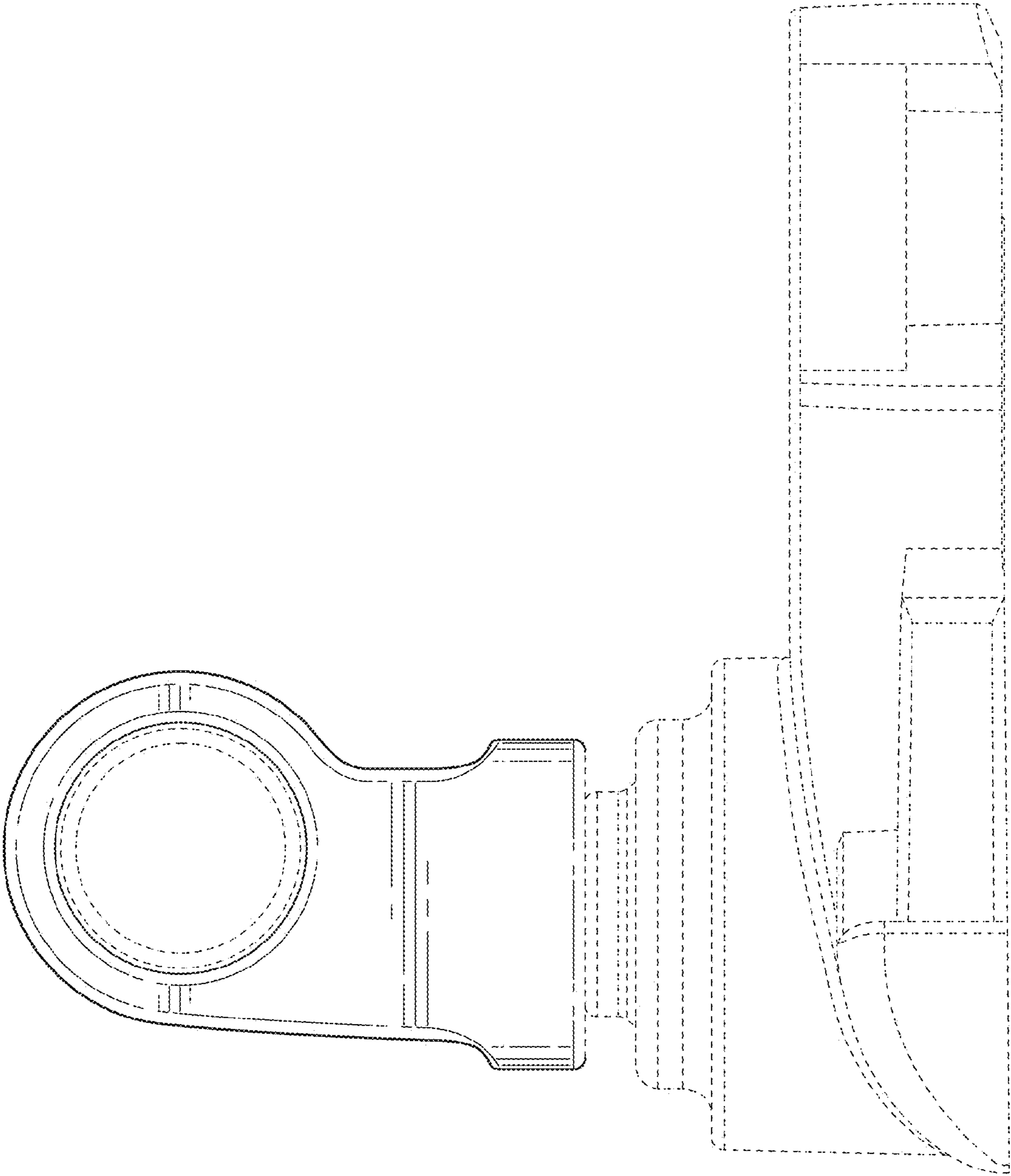


FIG. 5

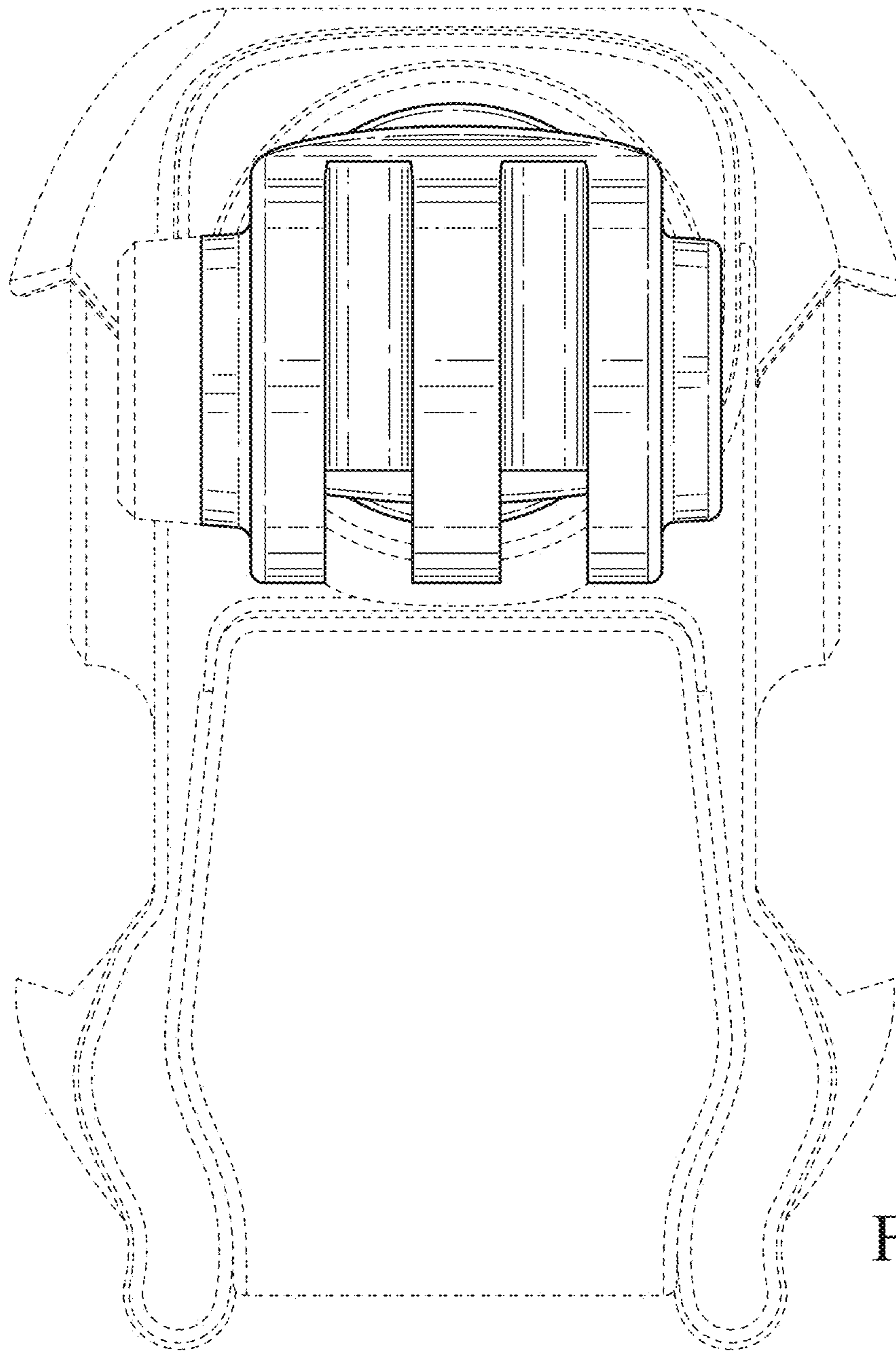


FIG. 6