



US00D880570S

(12) **United States Design Patent** (10) **Patent No.:** **US D880,570 S**
Bergman et al. (45) **Date of Patent:** **** Apr. 7, 2020**

(54) **CAMERA MOUNT**
(71) Applicant: **GoPro, Inc.**, San Mateo, CA (US)
(72) Inventors: **Senka Agic Bergman**, Montara, CA (US); **Arthur Charles Kwun**, Newark, CA (US); **Huy Phuong Nguyen**, San Mateo, CA (US); **Eric McCallister Bennett**, Foster City, CA (US); **Nicholas D. Woodman**, Woodside, CA (US); **Joshua T. Druker**, Redwood City, CA (US); **Travis Pynn**, Moss Beach, CA (US)

D757,842 S * 5/2016 Harrison D16/242
D758,473 S * 6/2016 Costa D16/242
D759,147 S * 6/2016 Harrison D16/242
9,426,341 B1 8/2016 Baldrige
D776,745 S 1/2017 Bennett
D776,746 S 1/2017 Bennett
D780,249 S 2/2017 Ramsthaller
9,588,407 B1 * 3/2017 Harrison G03B 17/561
9,715,164 B2 7/2017 Russell

(Continued)

(73) Assignee: **GoPro, Inc.**, San Mateo, CA (US)
(**) Term: **15 Years**

(21) Appl. No.: **29/651,260**

(22) Filed: **Dec. 19, 2018**

Related U.S. Application Data

(62) Division of application No. 29/607,455, filed on Jun. 13, 2017, now Pat. No. Des. 841,722.

(51) **LOC (12) Cl.** **16-05**

(52) **U.S. Cl.**
USPC **D16/242**

(58) **Field of Classification Search**
USPC D16/219, 237-250; D8/354, 355, 363, D8/373, 382-383, 394-396; D14/224, D14/229, 238, 251, 447, 451, 457
CPC H04N 5/2253-2254; G03B 17/561-568; G03B 17/56; G02B 7/00-002; F16M 11/14; F16M 11/06-10; A45F 2200/0508-0533; A45F 5/00; A45F 5/10
See application file for complete search history.

(56) **References Cited**

U.S. PATENT DOCUMENTS

D713,531 S 9/2014 Way
D719,266 S 12/2014 Goldstein

OTHER PUBLICATIONS

GoPro Bite Mount & Floaty. [online] Published on Oct. 4, 2017. Retrieved Apr. 24, 2018 from URL: <https://shop.gopro.com/mounts/bite-mount-plus-floaty/ASLBM-001.html>.*

(Continued)

Primary Examiner — Vy N Koenig

(74) *Attorney, Agent, or Firm* — Young Basile Hanlon & MacFarlane, P.C.

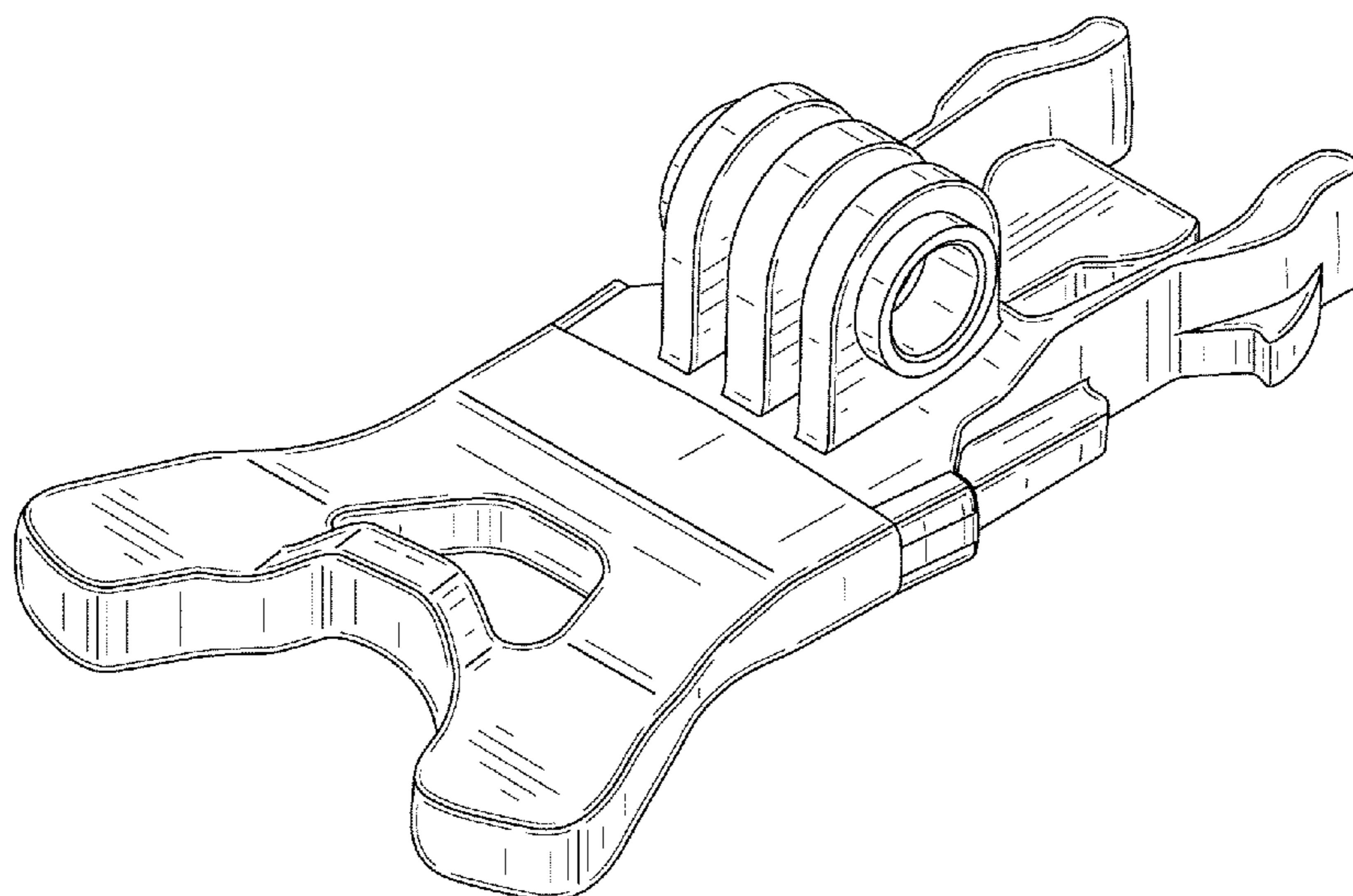
(57) **CLAIM**

The ornamental design for a camera mount, as shown and described.

DESCRIPTION

FIG. 1 is a top, rear, left perspective view of a camera mount. FIG. 2 is a top plan view of the camera mount shown in FIG. 1. FIG. 3 is a left elevation view of the camera mount shown in FIG. 1. FIG. 4 is a right elevation view of the camera mount shown in FIG. 1. FIG. 5 is a rear elevation view of the camera mount shown in FIG. 1; and, FIG. 6 is a front elevation view of the camera mount shown in FIG. 1.

1 Claim, 6 Drawing Sheets



(56)

References Cited

U.S. PATENT DOCUMENTS

D800,822 S * 10/2017 Costa D16/242
D820,458 S * 6/2018 Way D24/181
D841,722 S * 2/2019 Bergman D16/242
2015/0076184 A1 3/2015 Achenbach
2015/0253651 A1 9/2015 Russell
2015/0309396 A1 10/2015 Rohrer
2015/0316205 A1 11/2015 Bennett

OTHER PUBLICATIONS

Surfing Dummy Bite Mouth Gum Grill Mount for GoPro. [online]
Published Jan. 21, 2017. Retrieved Apr. 24, 2018 from URL:
<https://www.walmart.com/ip/Surfing-Dummy-Bite-Mouth-Gum-Grill-Mount-for-GoPro-Hero-4-3-3-2/281185292>.*

GoPro Bite Mount & Floaty . [online] Published on Oct. 4, 2017.
Retrieved Apr. 24, 2018 from URL: <https://shop.gopro.com/mounts/bite-mount-plus-floaty/ASLBM-001.html>, 2 pages.

* cited by examiner

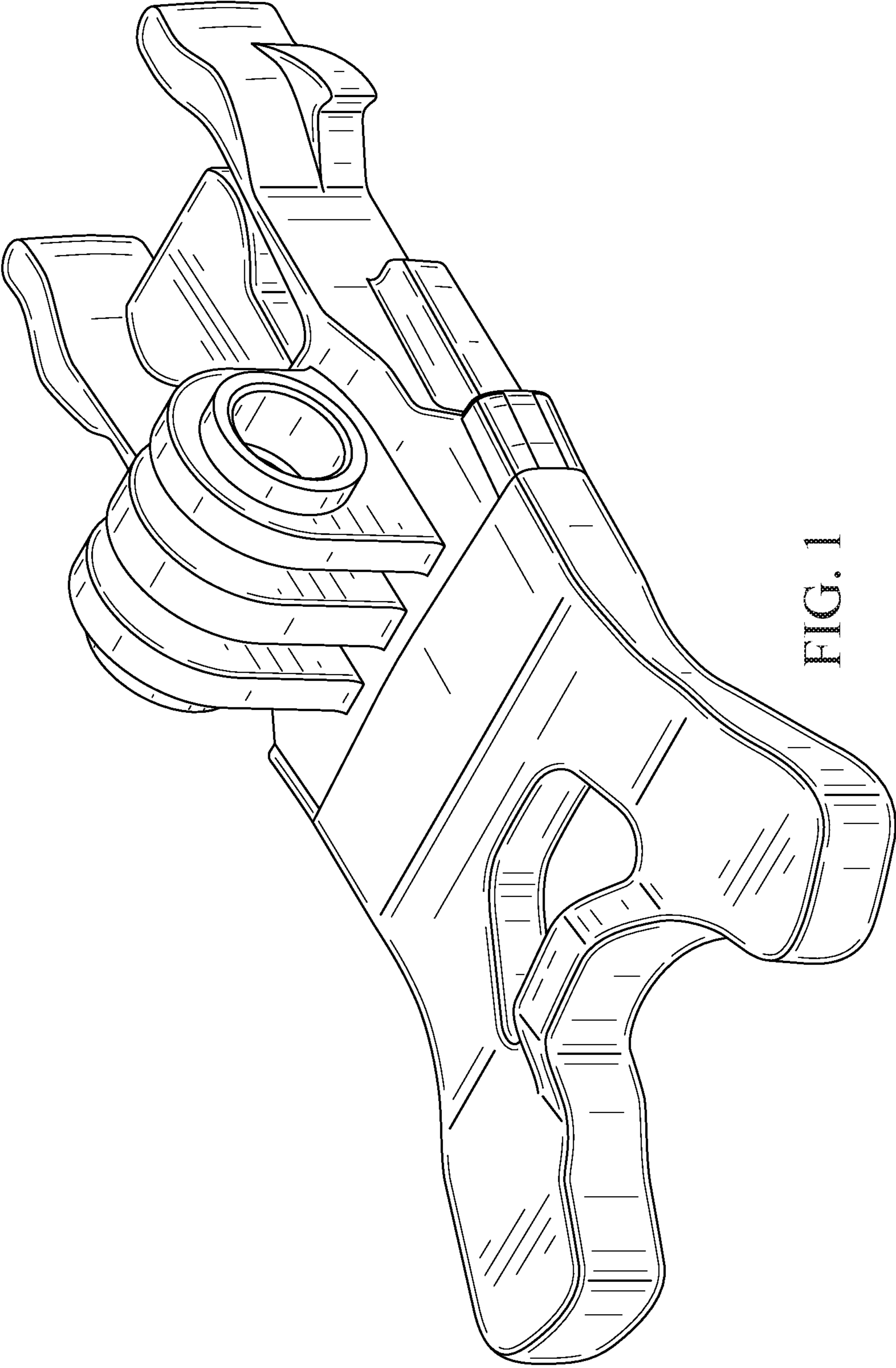


FIG. 1

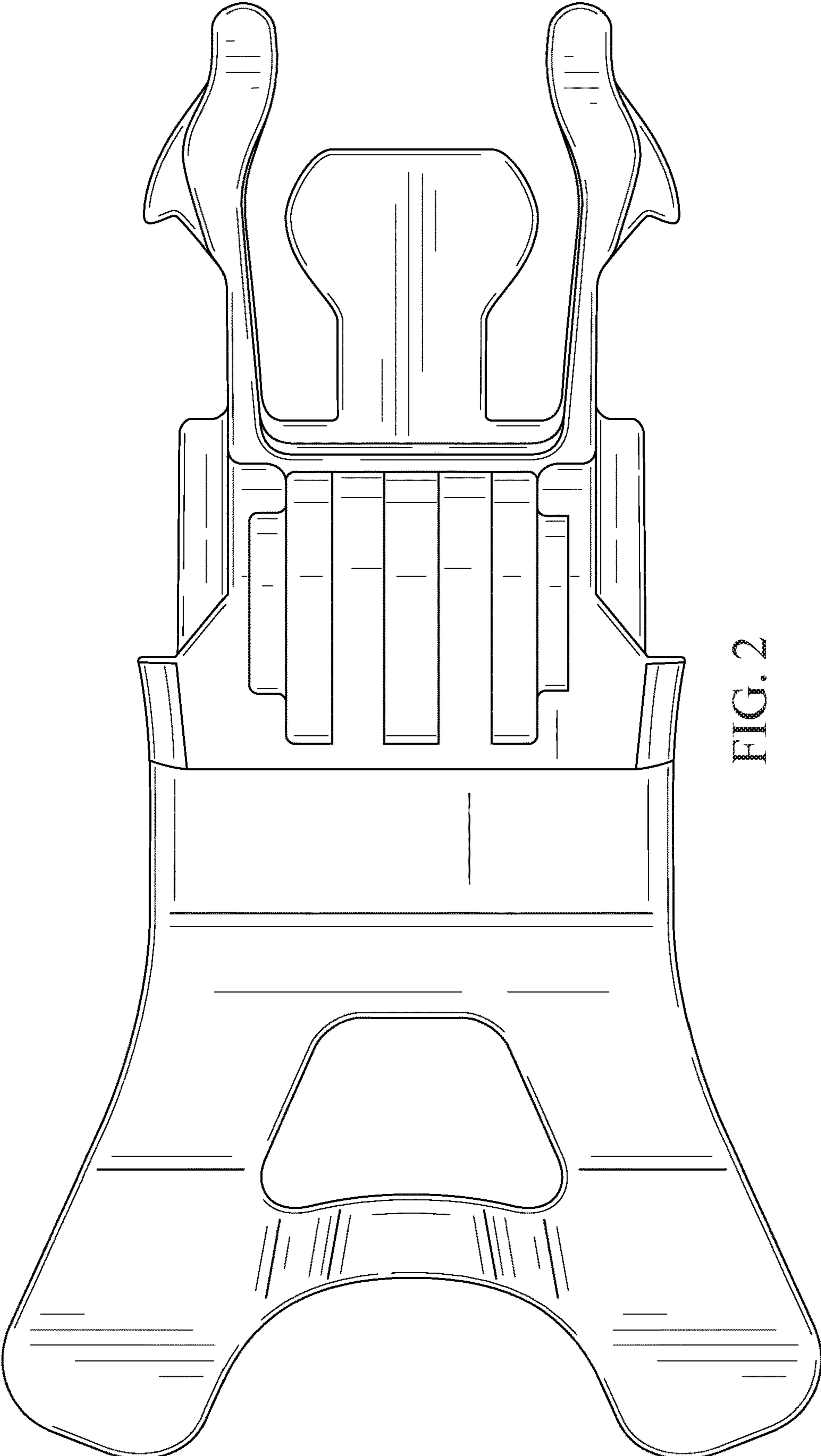


FIG. 2

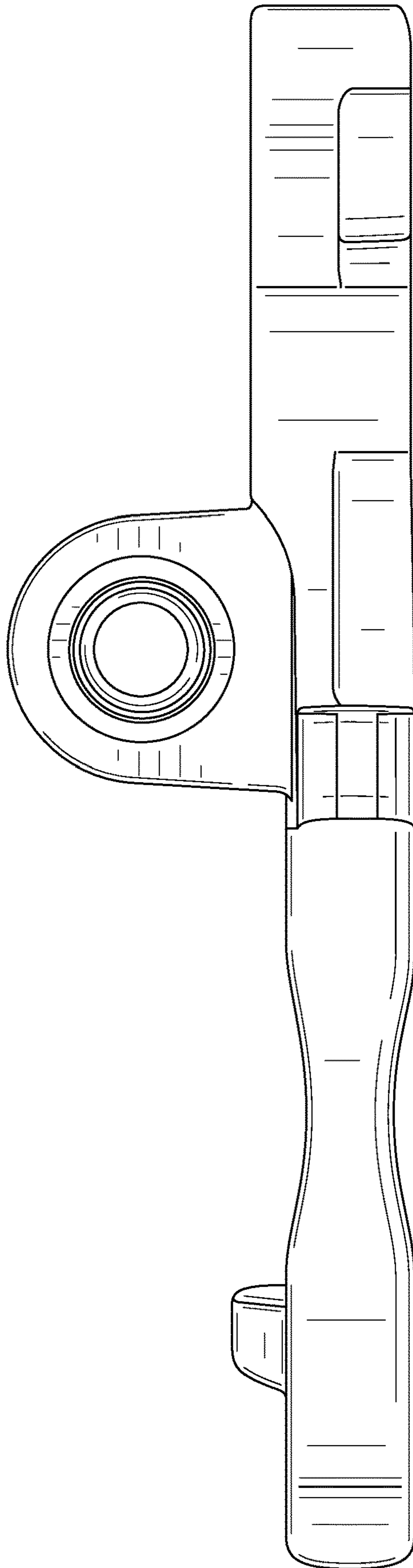


FIG. 3

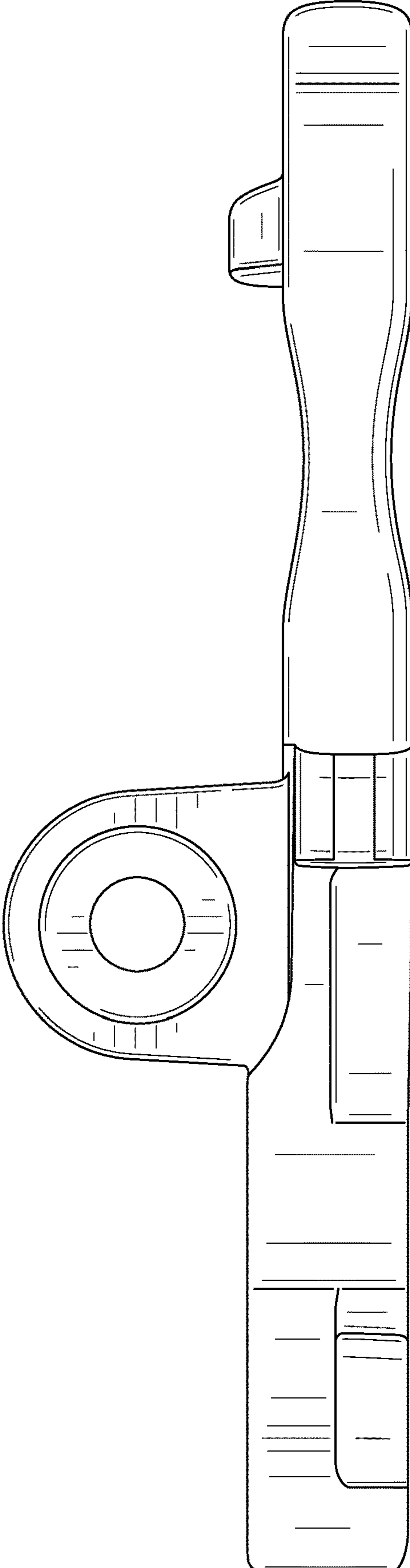


FIG. 4

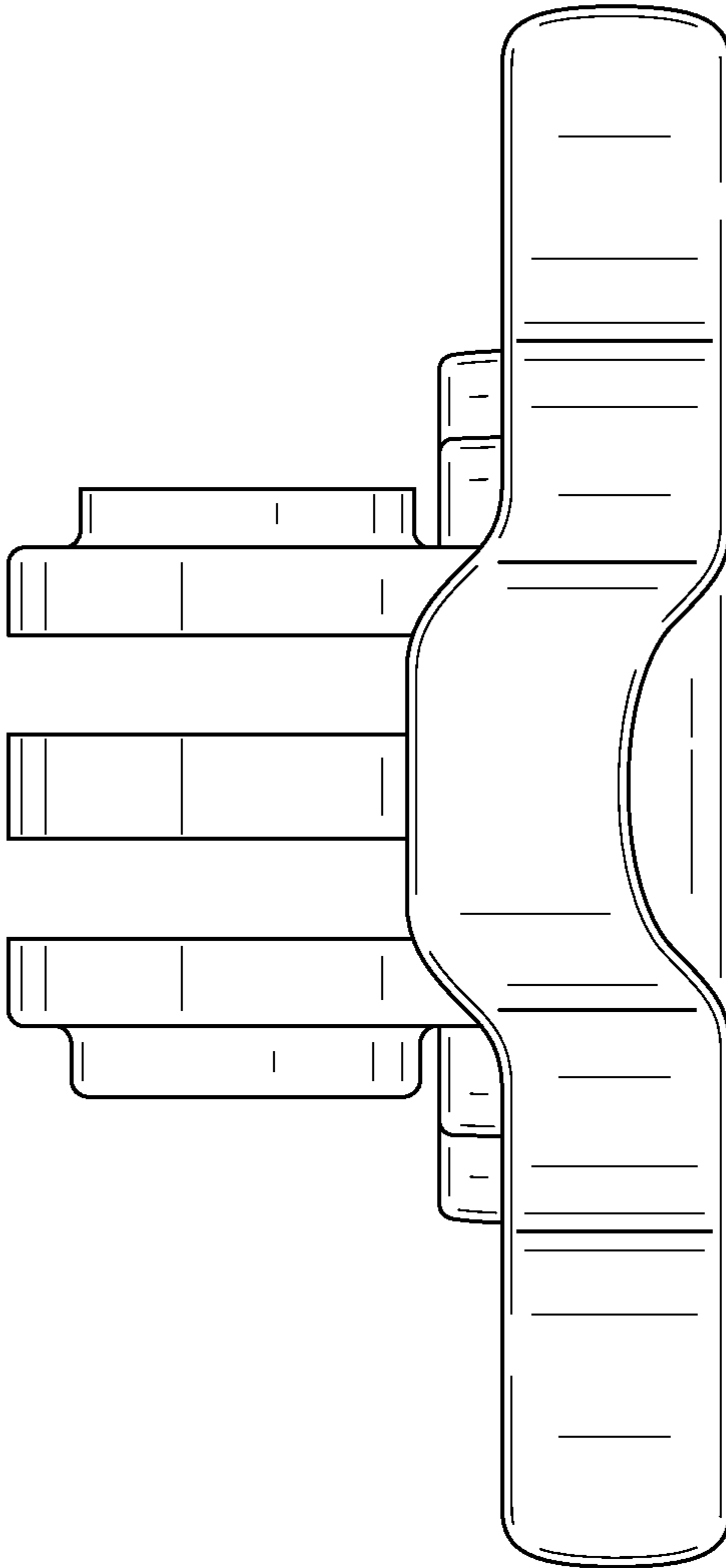


FIG. 5

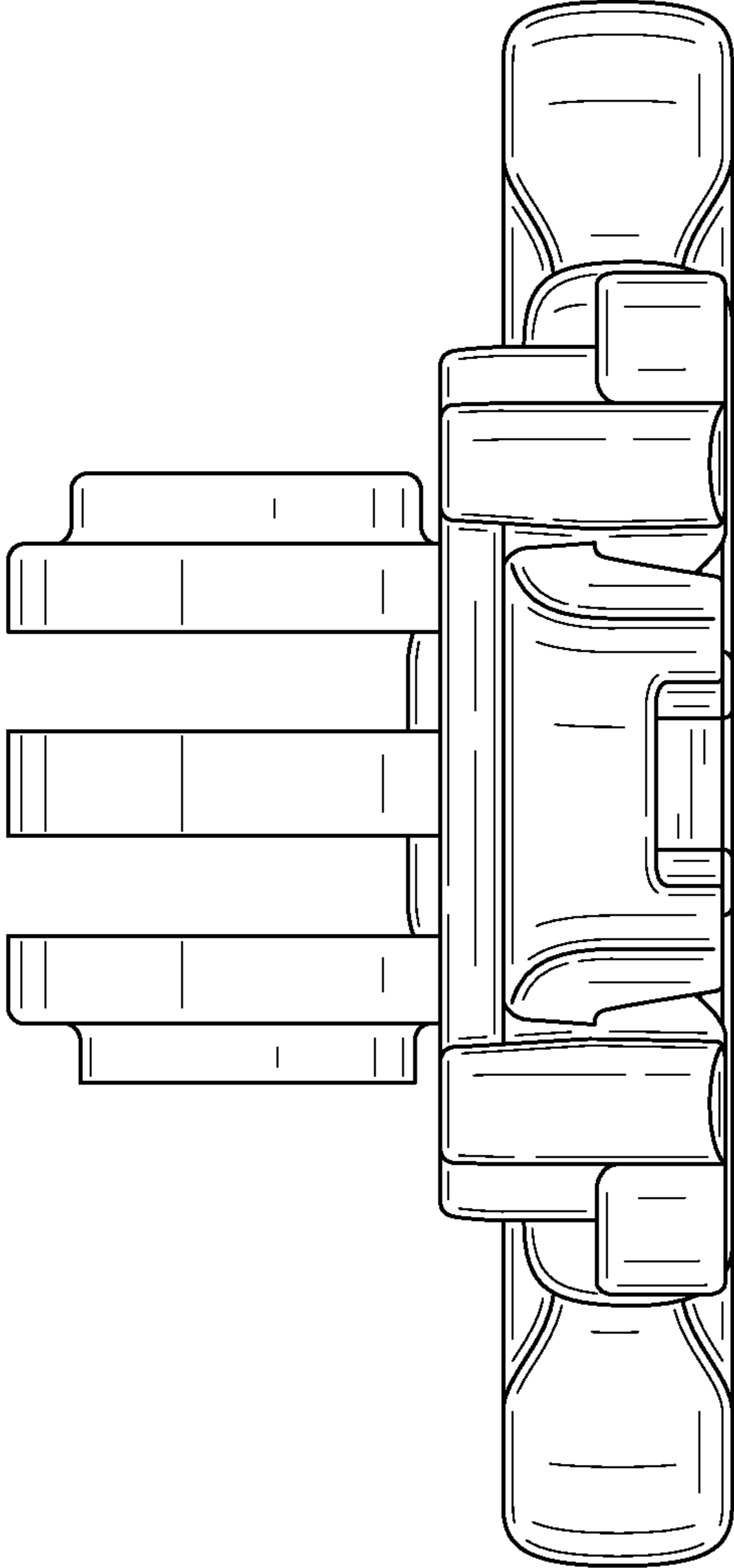


FIG. 6