



US00D880569S

(12) **United States Design Patent**
Zhang

(10) **Patent No.:** **US D880,569 S**
(45) **Date of Patent:** **** Apr. 7, 2020**

(54) **CAMERA COVER**

(71) Applicant: **Zhongshan Forever Photographic Equipment Co. Ltd., Zhongshan (CN)**

(72) Inventor: **Shenghua Zhang, Zhongshan (CN)**

(73) Assignee: **ZHONGSHAN FOREVER PHOTOGRAPHIC EQUIPMENT CO. LTD., Zhongshan (CN)**

(**) Term: **15 Years**

(21) Appl. No.: **29/650,429**

(22) Filed: **Jun. 6, 2018**

(30) **Foreign Application Priority Data**

Mar. 28, 2018 (CN) 2018 3 0118078

(51) **LOC (12) Cl.** **16-05**

(52) **U.S. Cl.**

USPC **D16/242; D16/219**

(58) **Field of Classification Search**

USPC D16/200–220, 131, 237, 242, 239, 250, D16/235, 130, 134, 136, 238; D14/138 C, 240, 248, 203.1, 203.3, 203.7, D14/218, 207; D10/104.1, 50, 65, 74, D10/70, 118.2; D26/28, 29, 34, 51, 52, D26/60, 61, 722; D3/260; D30/109, D30/104, 106, 107; D22/136

CPC . G02B 7/02; G02B 7/021; G02B 7/04; G02B 7/14; G02B 7/003; G03B 17/00; G03B 17/02; G03B 17/56; G03B 17/04; G03B 17/14; G03B 17/08; G03B 15/03; G03B 15/06; H04N 5/2251; H04N 5/2252; H04N 5/2253; H04N 5/2254; H04N 7/00; H04N 2101/00; F16M 13/00

See application file for complete search history.

(56) **References Cited**

U.S. PATENT DOCUMENTS

679,881 A * 8/1901 Bullard G03B 17/045 396/341
1,612,277 A * 12/1926 Fitz G03B 21/30 352/242

D446,733 S * 8/2001 Gammon D10/65
D535,578 S * 1/2007 Sinkfield D10/104.1
D582,955 S * 12/2008 Sekine D16/218
D632,719 S * 2/2011 Tsai D16/202
D677,589 S * 3/2013 Jung D10/65

(Continued)

FOREIGN PATENT DOCUMENTS

EM 005250149-0001 * 7/2018
EM 005813953-0001 * 11/2018

OTHER PUBLICATIONS

Forevercam Gopro Fusion case, published Jul. 1, 2018 [online], [retrieved Jul. 20, 2019], Available from Internet, URL: <https://www.amazon.com/Compatible-Aluminium-Protective-Lens-Best-Protection/dp/B07CRMVQ7V>.*

Primary Examiner — T Chase Nelson

Assistant Examiner — Mary Claire Ramirez

(74) *Attorney, Agent, or Firm* — Tarter Krinsky & Drogin LLP

(57) **CLAIM**

The ornamental design for a camera cover, as shown and described.

DESCRIPTION

FIG. 1 is a perspective view of a camera cover showing my new design;

FIG. 2 is a front view thereof;

FIG. 3 is a back view thereof;

FIG. 4 is a left side view thereof;

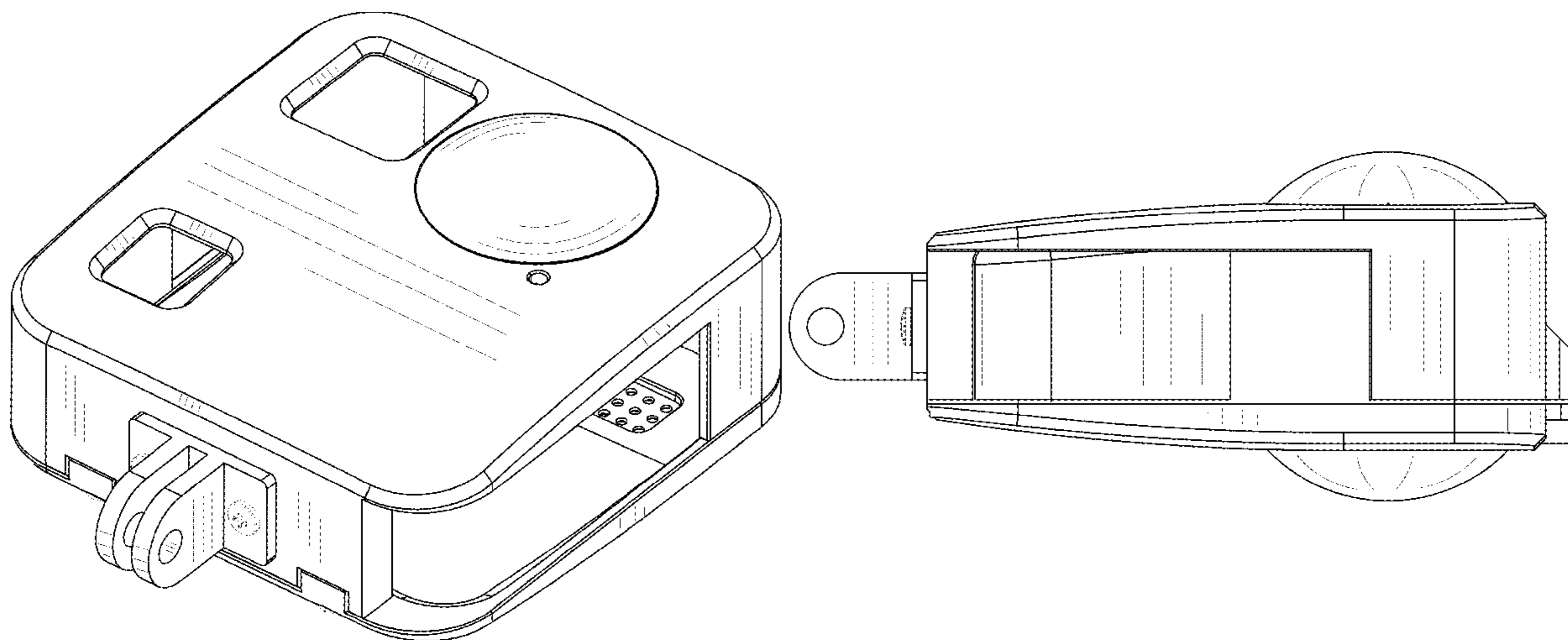
FIG. 5 is a right side view thereof;

FIG. 6 is a top view thereof; and,

FIG. 7 is a bottom view thereof.

The broken lines in the drawings depict portions of the camera cover that form no part of the claimed design.

1 Claim, 7 Drawing Sheets



(56)

References Cited

U.S. PATENT DOCUMENTS

D697,127 S * 1/2014 O'Donnell D16/242
 D699,276 S * 2/2014 Samuels D16/200
 D699,277 S * 2/2014 Samuels D16/200
 8,837,928 B1 * 9/2014 Clearman E05B 17/2019
 396/25
 D724,637 S * 3/2015 Samuels D16/200
 D724,638 S * 3/2015 Samuels D16/200
 D752,671 S * 3/2016 Harrison D16/200
 D752,672 S * 3/2016 Clearman D16/200
 D759,141 S * 6/2016 Bacon D16/200
 D763,941 S * 8/2016 Smith D16/200
 D776,738 S * 1/2017 Clearman D16/200
 D777,239 S * 1/2017 Costa D16/242
 D783,079 S * 4/2017 Lee D16/242
 D785,696 S * 5/2017 Parfitt D16/242
 D785,697 S * 5/2017 Costa D16/242
 D788,208 S * 5/2017 Muhlenkamp, IV D16/200
 D791,211 S * 7/2017 Fujita D16/219
 D800,815 S * 10/2017 Clearman D16/200

D808,828 S * 1/2018 Behar D10/50
 D816,751 S * 5/2018 Harrison D16/200
 D818,029 S * 5/2018 Fujita D16/218
 D819,109 S * 5/2018 Yamauchi D16/204
 D819,117 S * 5/2018 Lee D16/242
 D827,696 S * 9/2018 Crow D16/242
 D828,863 S * 9/2018 Wang D16/218
 D829,260 S * 9/2018 Fujita D16/218
 D830,446 S * 10/2018 Muhlenkamp, IV D16/218
 D835,172 S * 12/2018 Fujita D16/219
 D841,721 S * 2/2019 Muhlenkamp, IV D16/242
 D849,108 S * 5/2019 Huang D16/218
 D850,627 S * 6/2019 Purani D24/186
 D850,941 S * 6/2019 Israni D10/65
 2010/0086291 A1 * 4/2010 Kim H04N 5/2254
 396/79
 2013/0127309 A1 * 5/2013 Wyner H05K 5/0217
 312/223.1
 2016/0274338 A1 * 9/2016 Davies G03B 17/12
 2017/0111559 A1 * 4/2017 Abbas G02B 7/021
 2018/0146122 A1 * 5/2018 Campbell G03B 17/08
 2018/0206608 A1 * 7/2018 Wang G03B 17/08

* cited by examiner

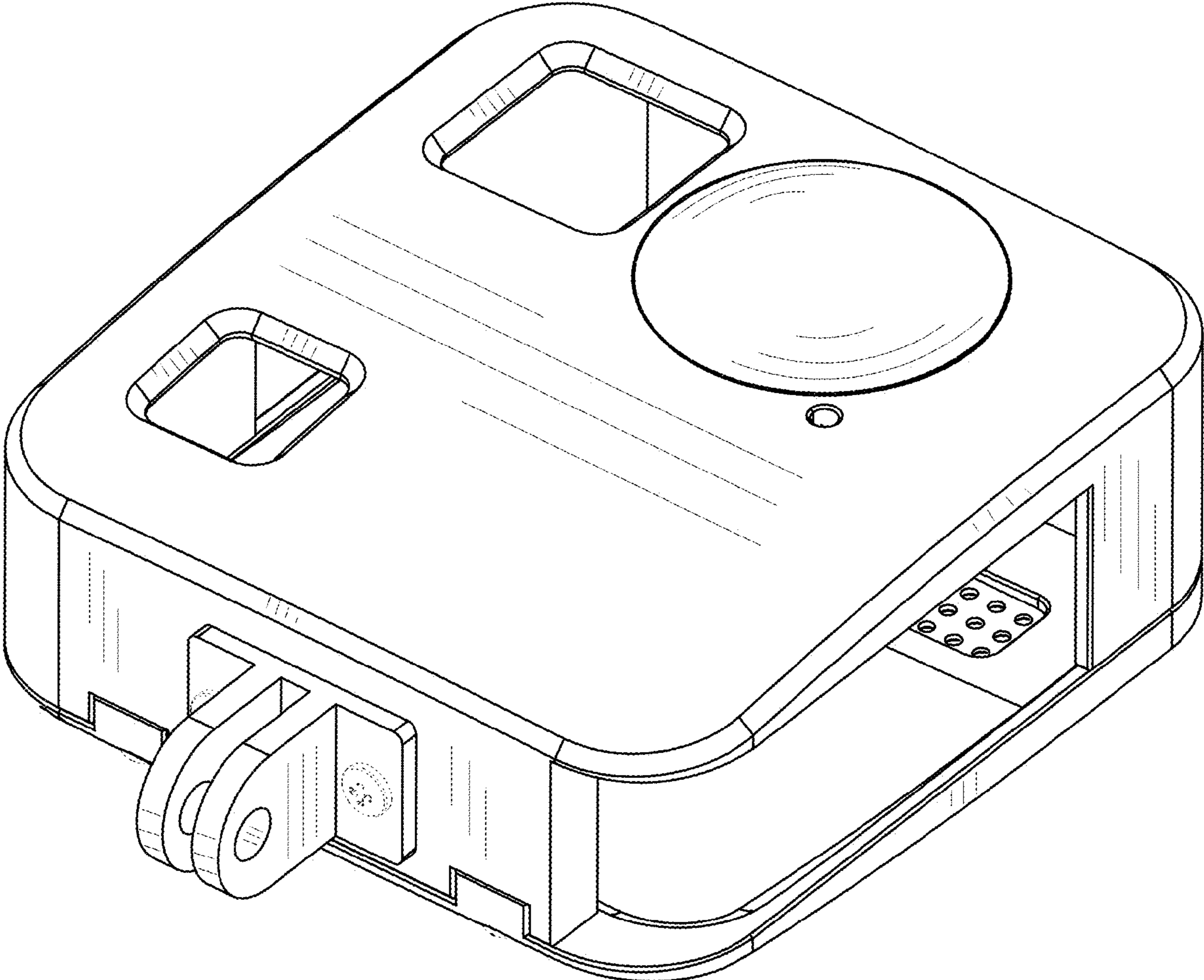


FIG.1

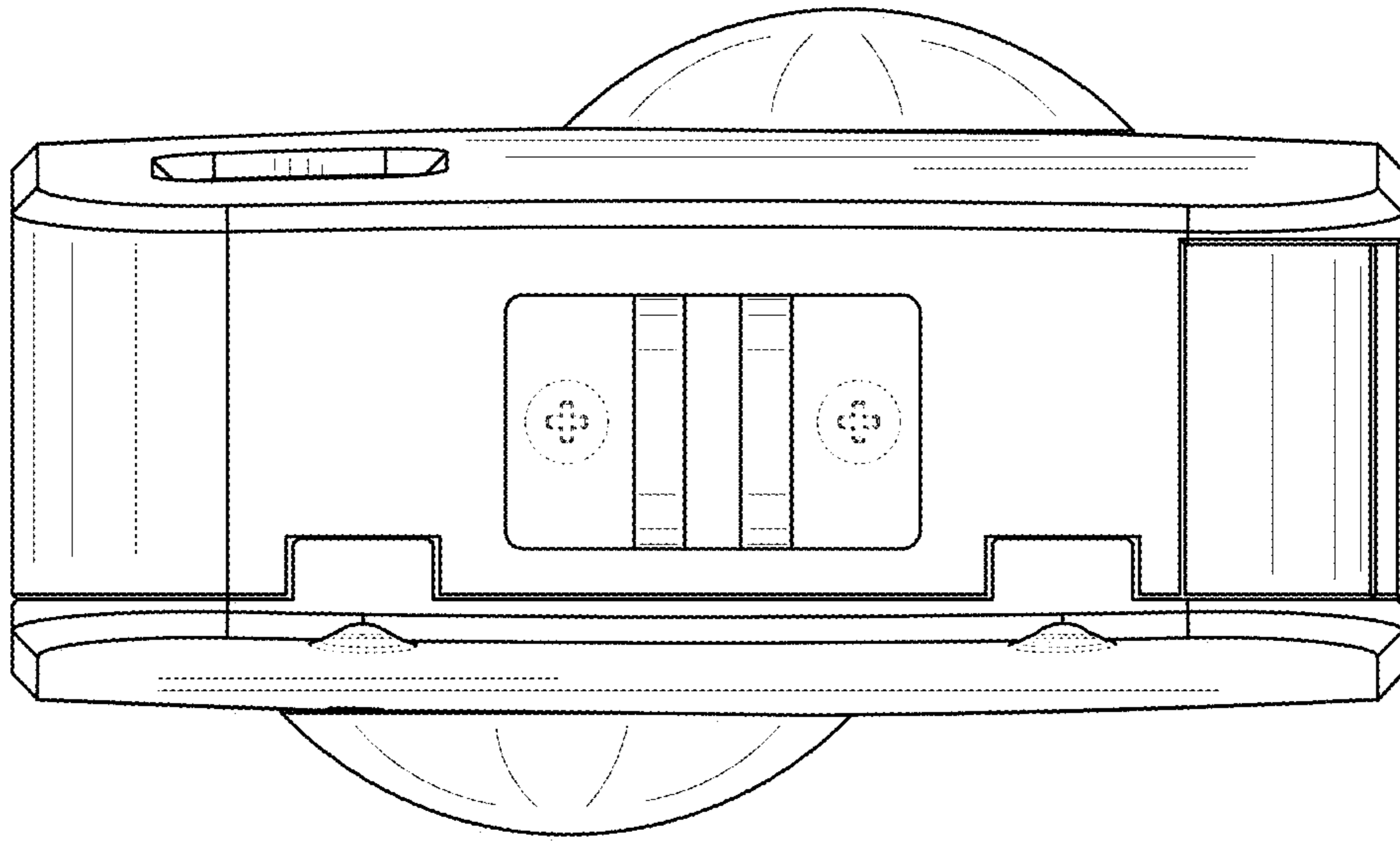


FIG.2

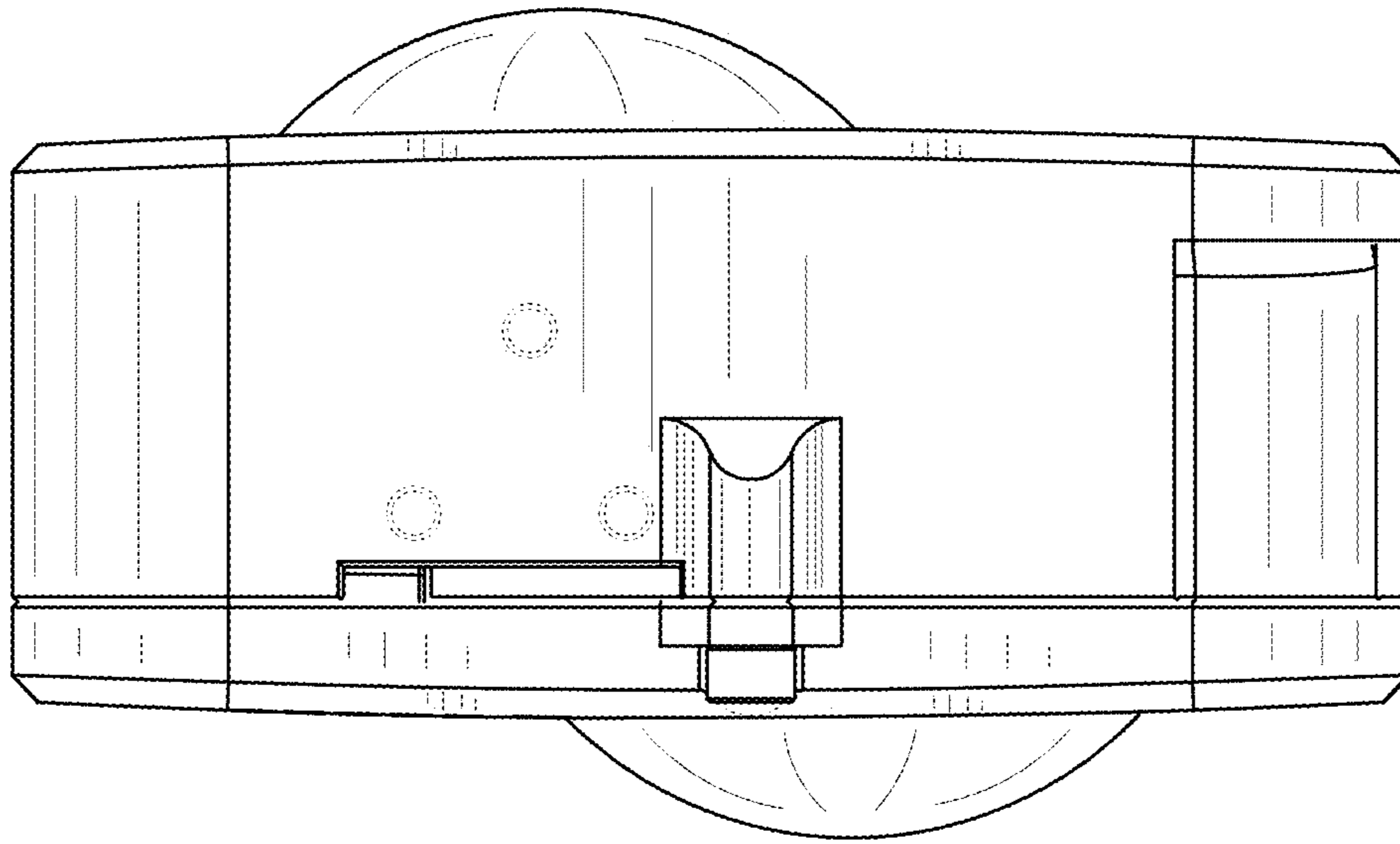


FIG.3

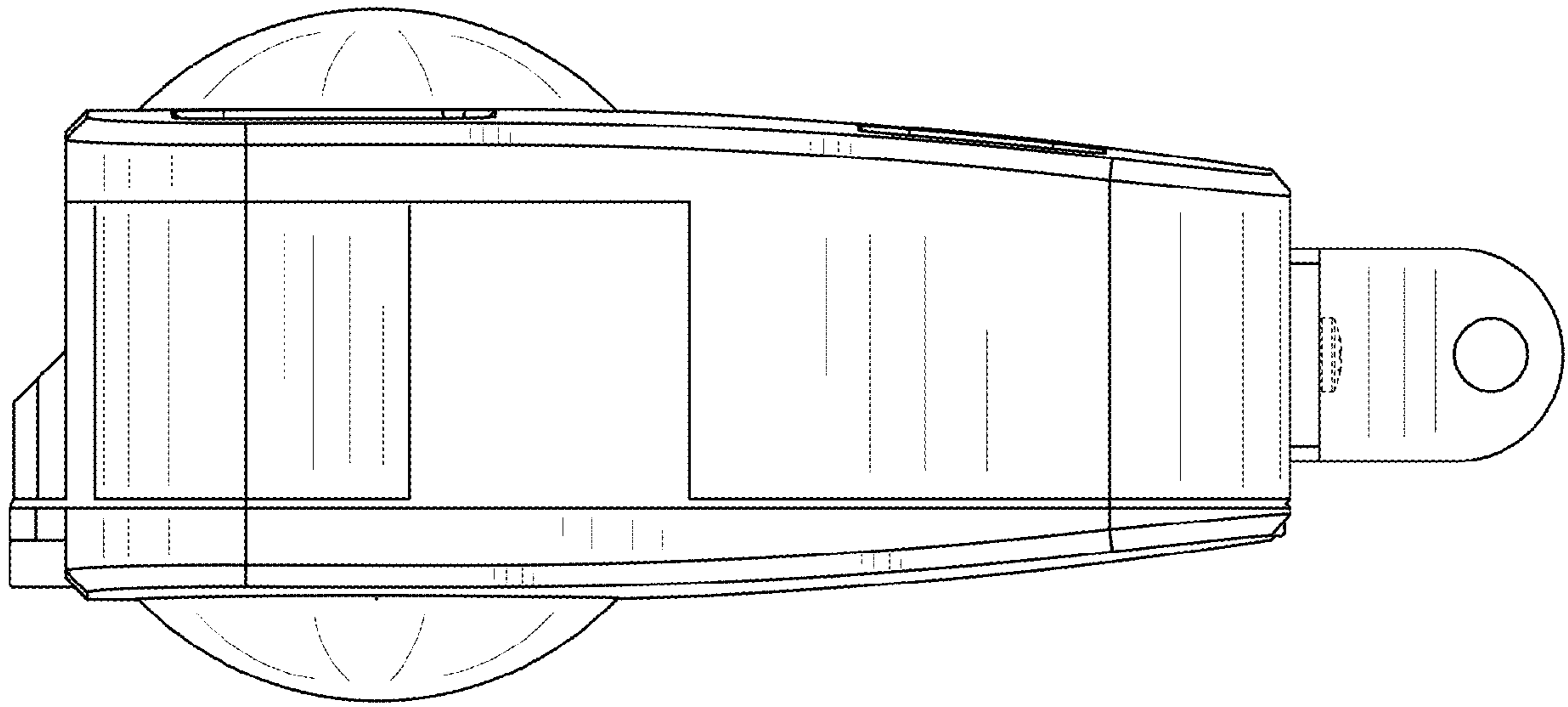


FIG. 4

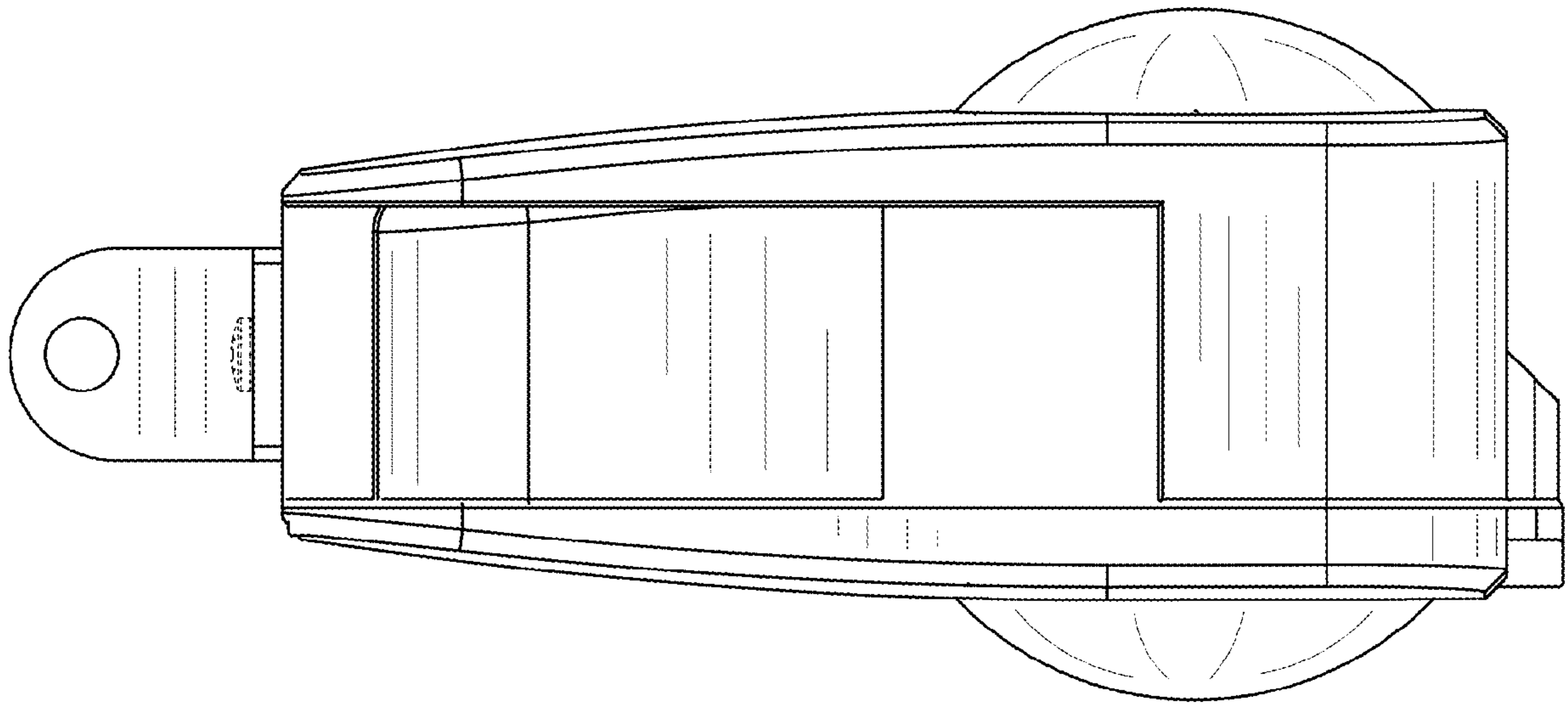


FIG.5

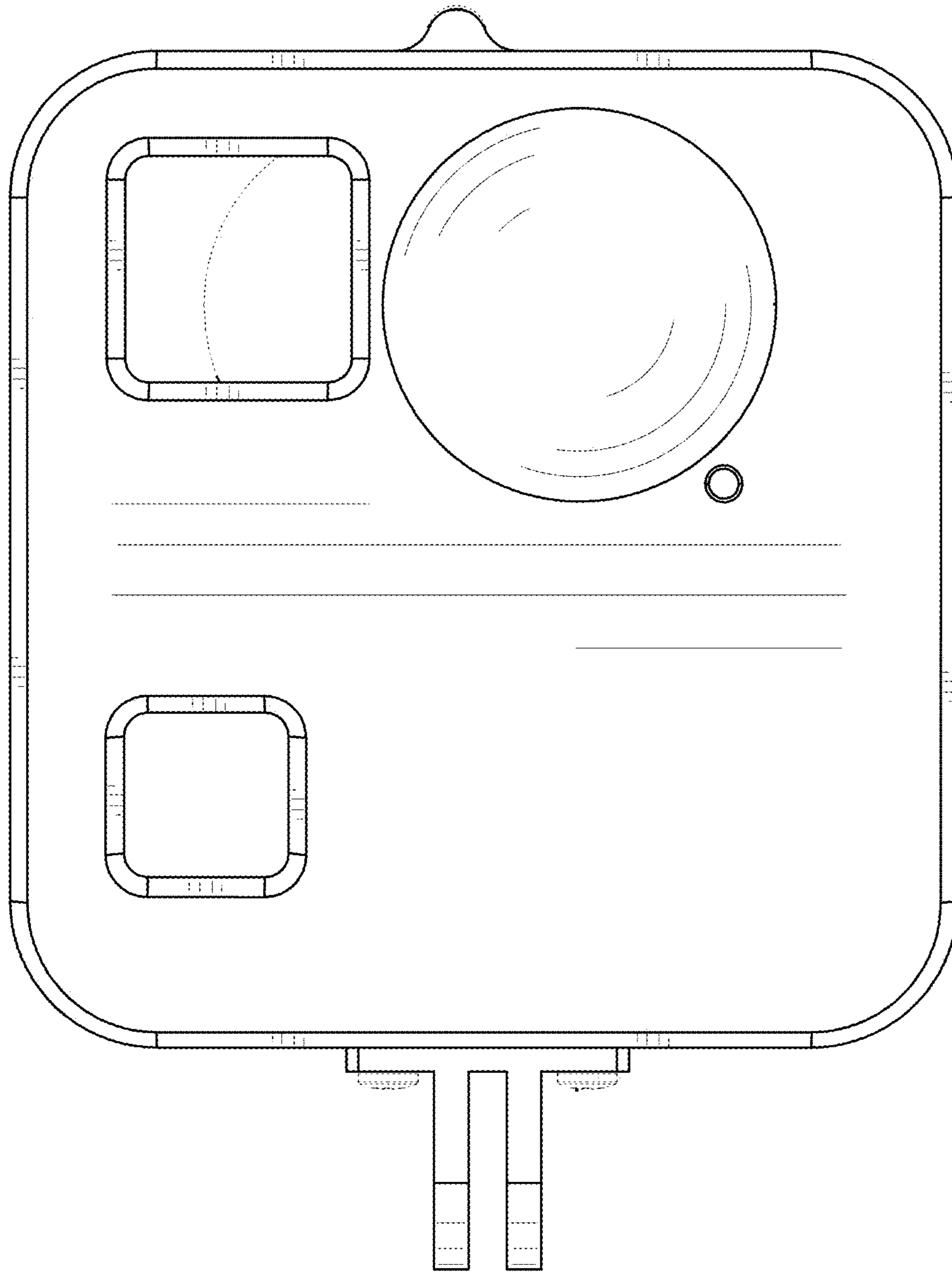


FIG.6

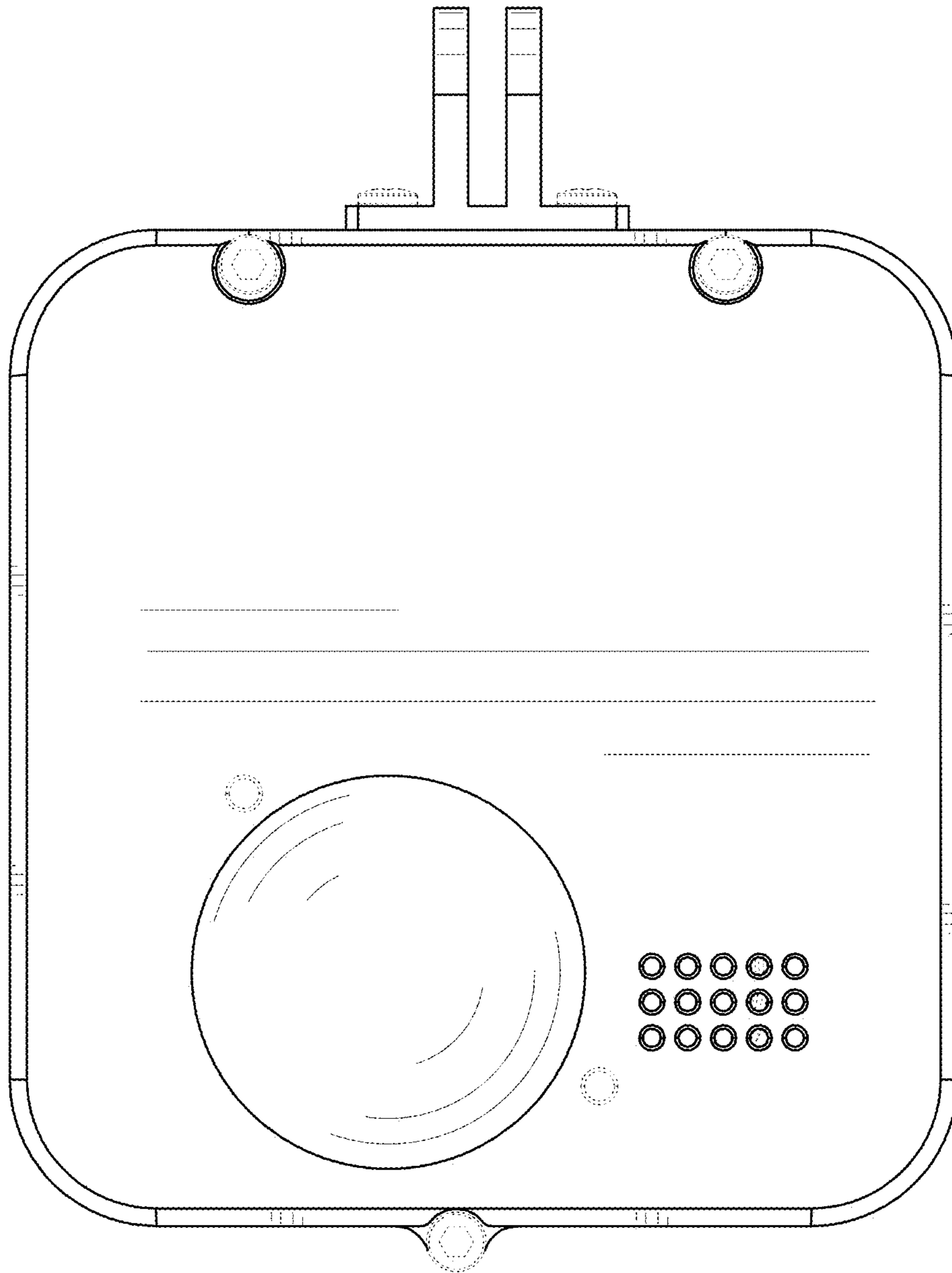


FIG. 7