



US00D880567S

(12) **United States Design Patent**
Zhang

(10) **Patent No.:** **US D880,567 S**

(45) **Date of Patent:** **** Apr. 7, 2020**

(54) **CAMERA FRAME**

(71) Applicant: **Zhongshan Forever Photographic Equipment Co. Ltd, Zhongshan (CN)**

(72) Inventor: **Shenghua Zhang, Zhongshan (CN)**

(73) Assignee: **Zhongshan Forever Photographic Equipment Co. Ltd., Zhongshan (CN)**

(**) Term: **15 Years**

(21) Appl. No.: **29/673,914**

(22) Filed: **Dec. 18, 2018**

(30) **Foreign Application Priority Data**

Sep. 12, 2018 (CN) 2018 3 0512790

(51) **LOC (12) Cl.** **16-05**

(52) **U.S. Cl.**
USPC **D16/237; D16/219**

(58) **Field of Classification Search**
USPC D16/208–209, 219, 237–250; D8/354,
D8/355, 363, 373, 382–383, 394–396;
D14/224, 229, 238, 251, 253, 447, 451,
D14/457

CPC F16M 11/06–10; F16M 11/14; G02B
7/00–002; G03B 17/56; G03B
17/561–568; H04N 5/2253–2254

See application file for complete search history.

(56) **References Cited**

U.S. PATENT DOCUMENTS

- D646,313 S * 10/2011 Woodman D16/200
- D657,811 S * 4/2012 Woodman D16/134
- 8,374,495 B2 * 2/2013 Yim G03B 17/02
348/81
- 8,870,475 B1 * 10/2014 Bennett G03B 17/561
396/419
- D722,097 S * 2/2015 Kim D16/219
- D763,941 S * 8/2016 Smith D16/200
- 9,454,066 B2 * 9/2016 O'Neill G03B 17/565

- 9,507,245 B1 * 11/2016 Druker G03B 17/566
- D785,696 S * 5/2017 Parfitt D16/242
- D804,560 S * 12/2017 Costa D16/200
- D808,163 S * 1/2018 Song D3/269
- D821,481 S * 6/2018 Gioscia D16/219
- D861,761 S * 10/2019 Bergman D16/200

OTHER PUBLICATIONS

Zhongshan Forever Photographic Equipment. [online] Retrieved Dec. 12, 2019 from URL: https://www.pricecheck.co.za/offers/144662322/Zhongshan+Forever+Photographic+Equipment+Co.%2CLtd.+Forevercam+Aluminium+Housing+Case+Alloy+Protective+Skeleton+Frame+With+52MM+Uv.* Aluminum Case Frame (Lightweight Version) for GoPro Hero 7 Black_Silve—Forevercam. [online] Published on Nov. 30, 2018. Retrieved Dec. 12, 2019 from URL: https://forevercam.net/collections/gopro-5-6-cage/products/cage-for-gopro-hero-7-black-silver-white-hero-6-and-5-camera.*

* cited by examiner

Primary Examiner — Vy N Koenig
(74) *Attorney, Agent, or Firm* — Macheledt Bales LLP;
Jennifer L. Bales

(57) **CLAIM**

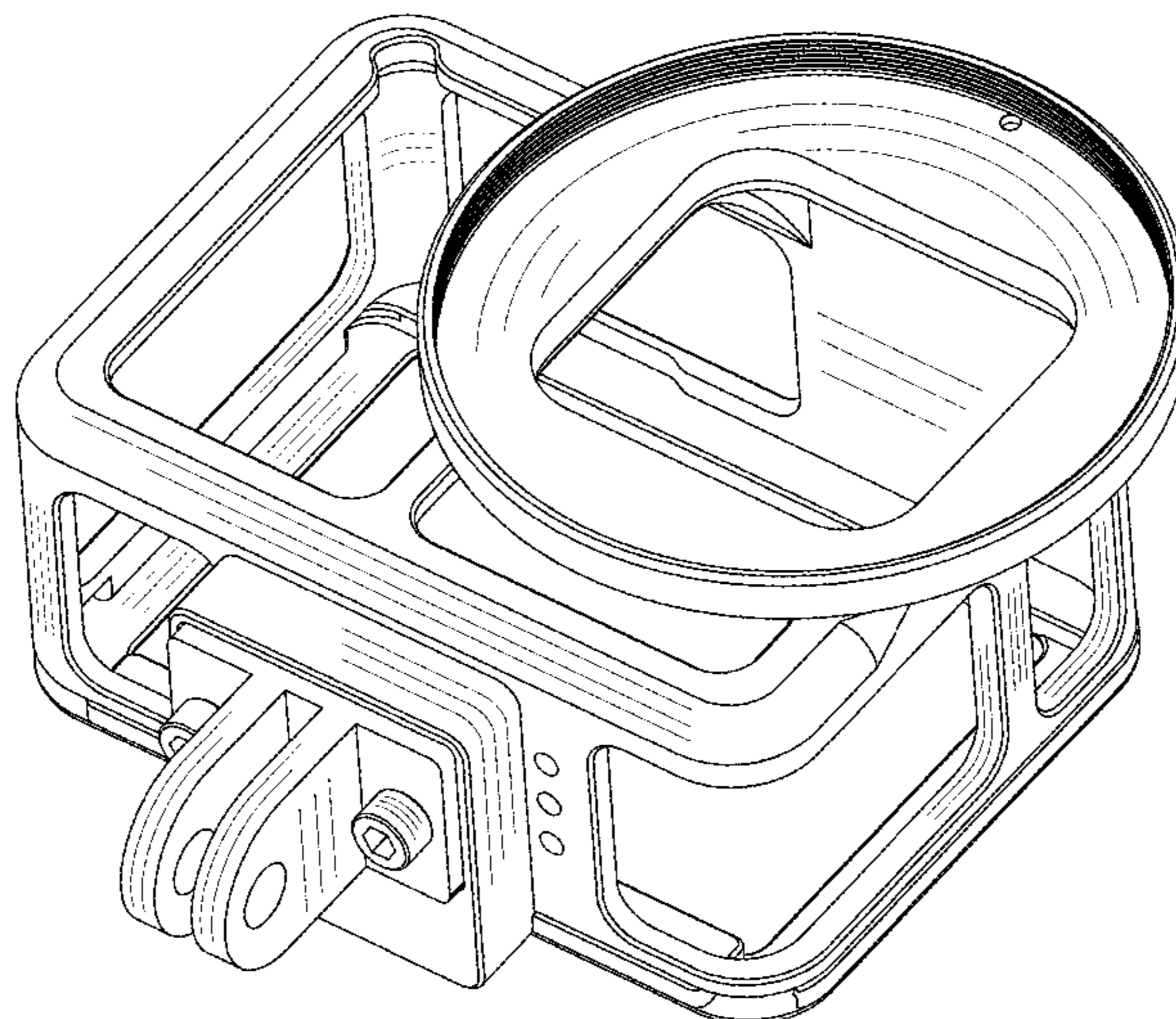
The ornamental design for a camera frame, as shown and described.

DESCRIPTION

FIG. 1 is a front perspective view of a camera frame showing my new design;
FIG. 2 is a front view thereof;
FIG. 3 is a rear view thereof;
FIG. 4 is a left side view thereof;
FIG. 5 is a right side view thereof;
FIG. 6 is a top view thereof; and,
FIG. 7 is a bottom view thereof.

The broken lines shown in the drawings are for the purpose of illustrating portions of the camera frame that form no part of the claimed design.

1 Claim, 7 Drawing Sheets



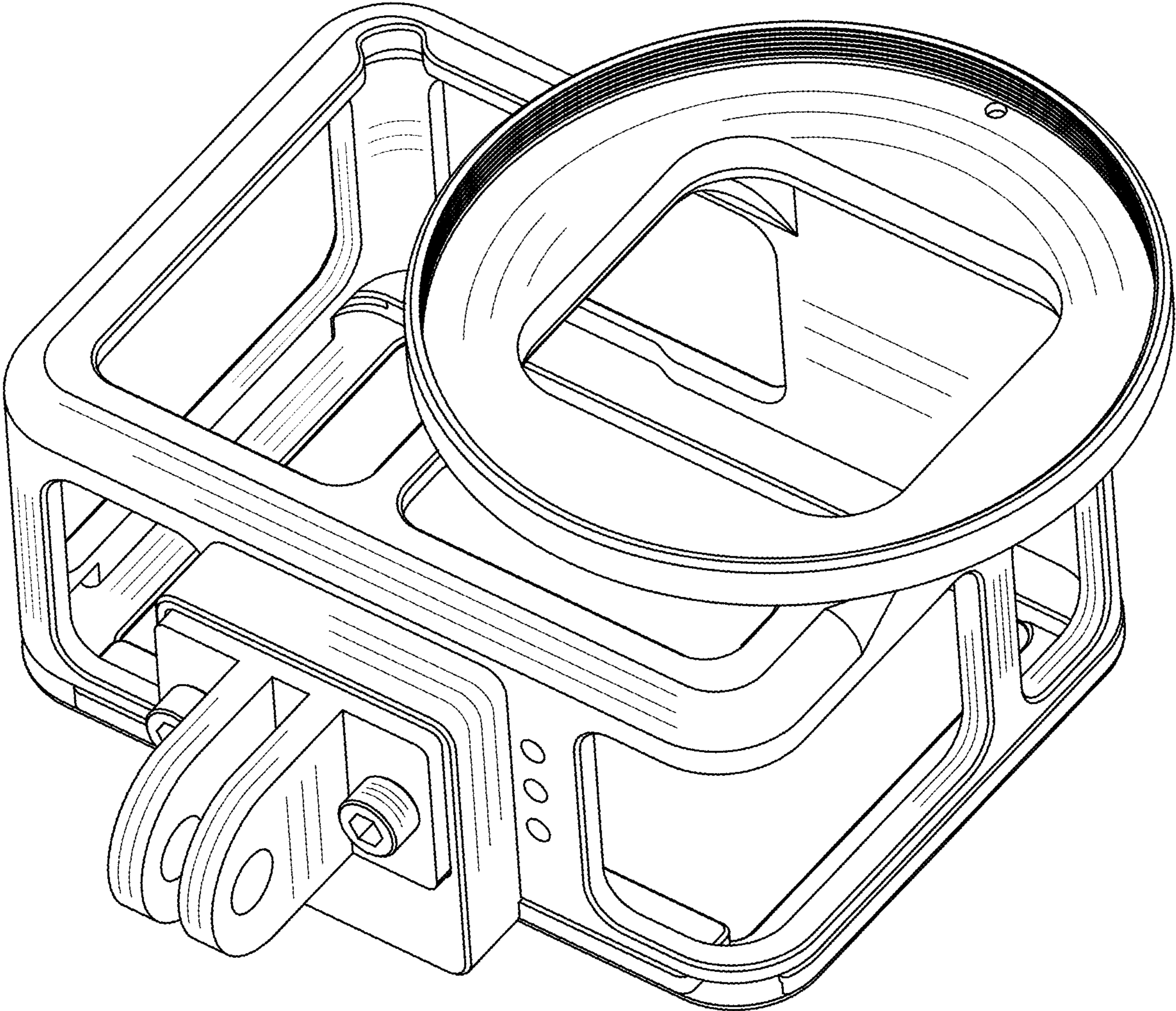


FIG. 1

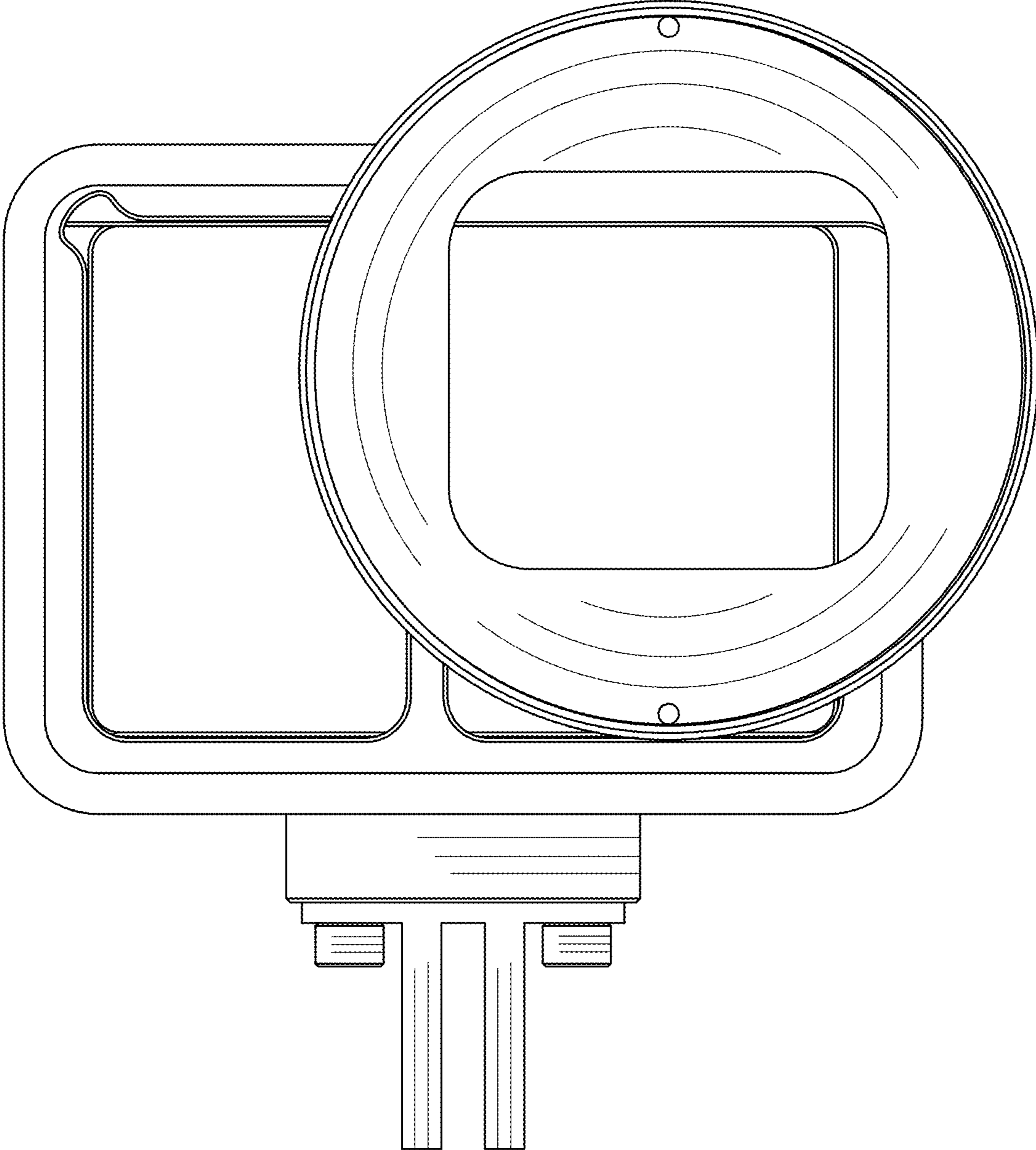


FIG. 2

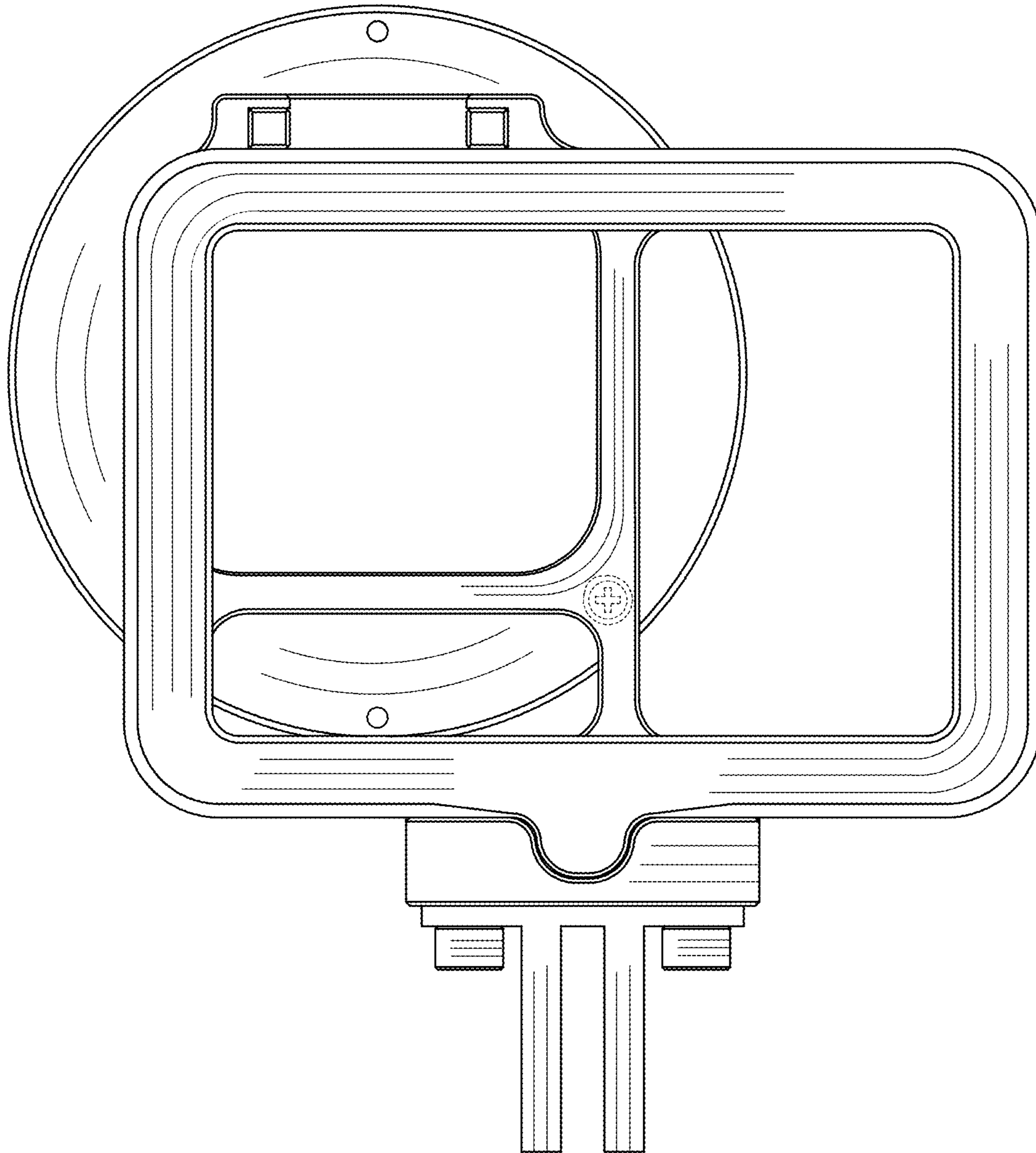


FIG. 3

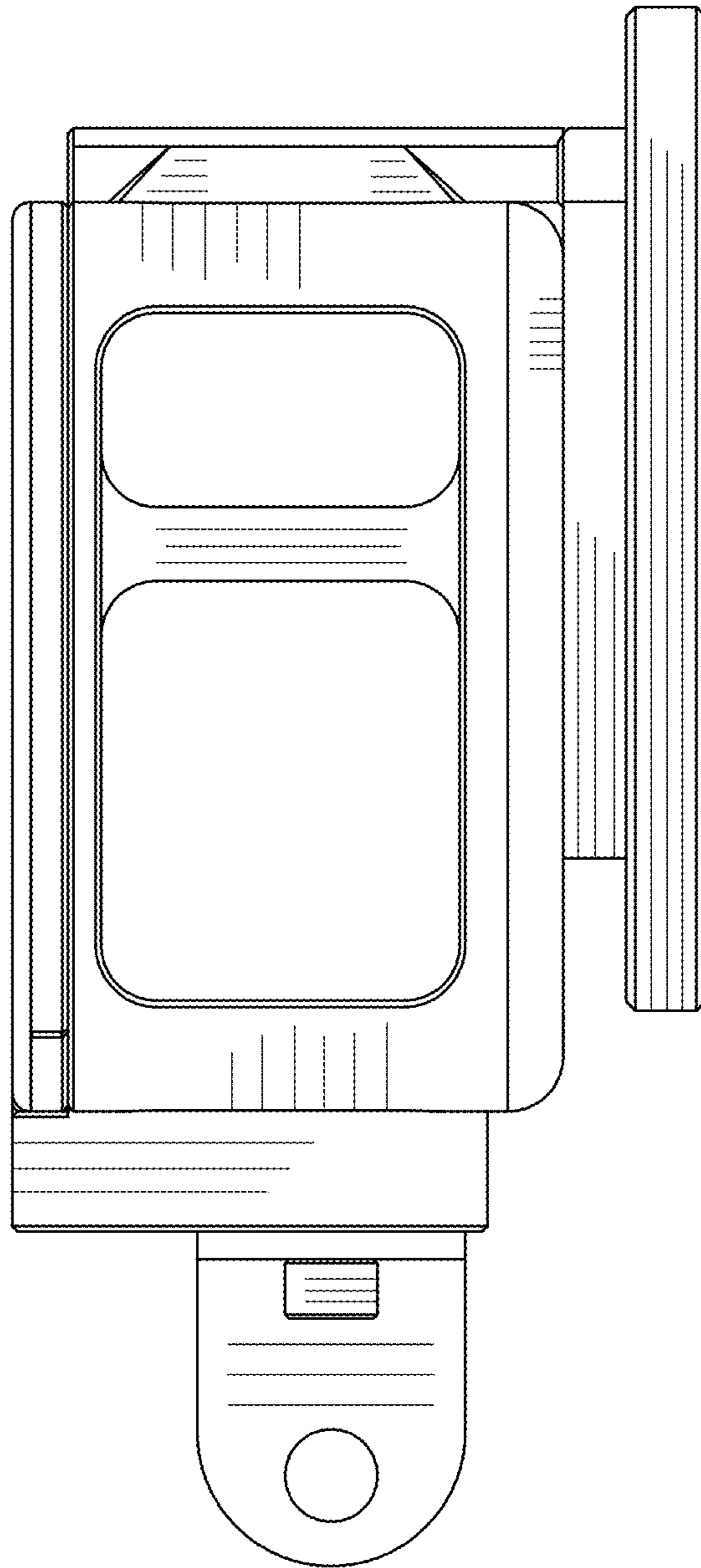


FIG. 4

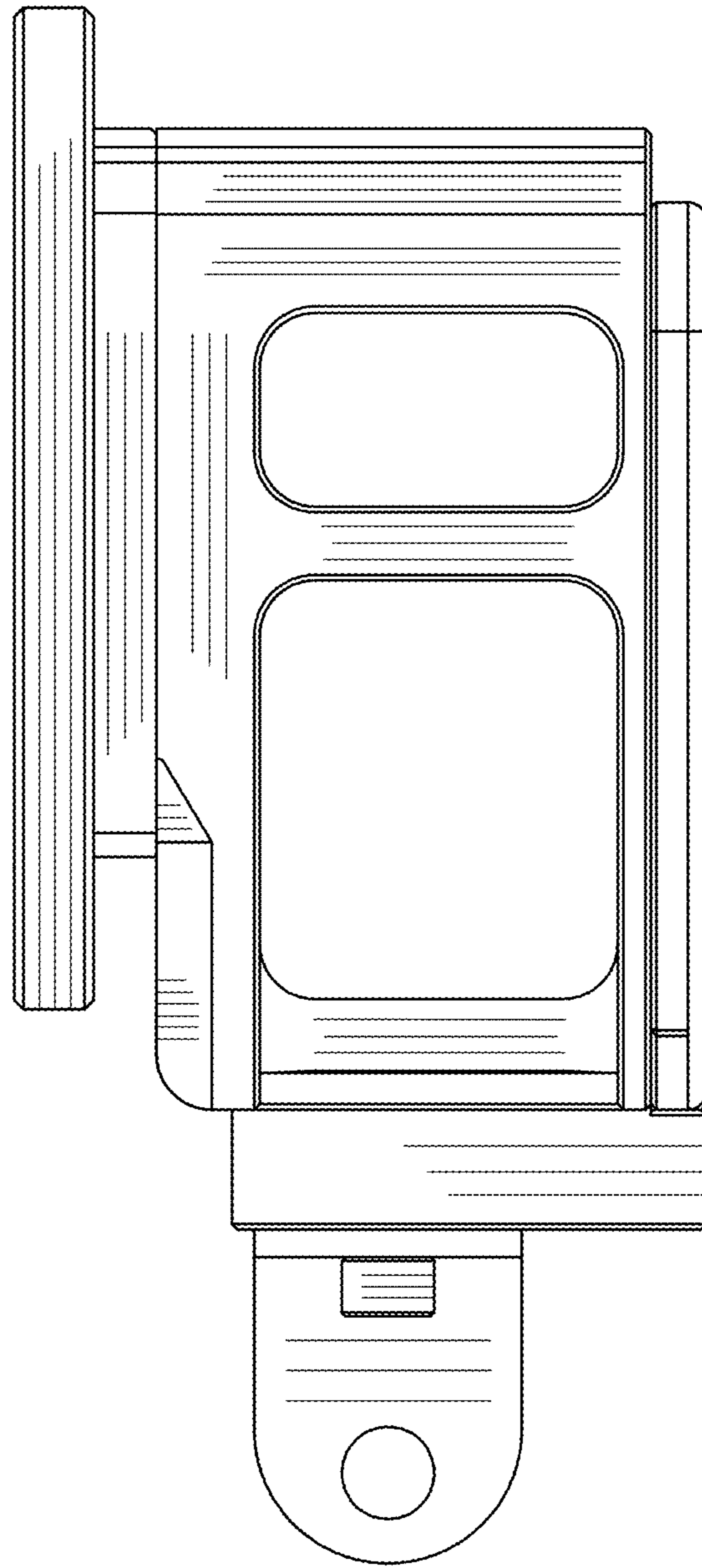


FIG. 5

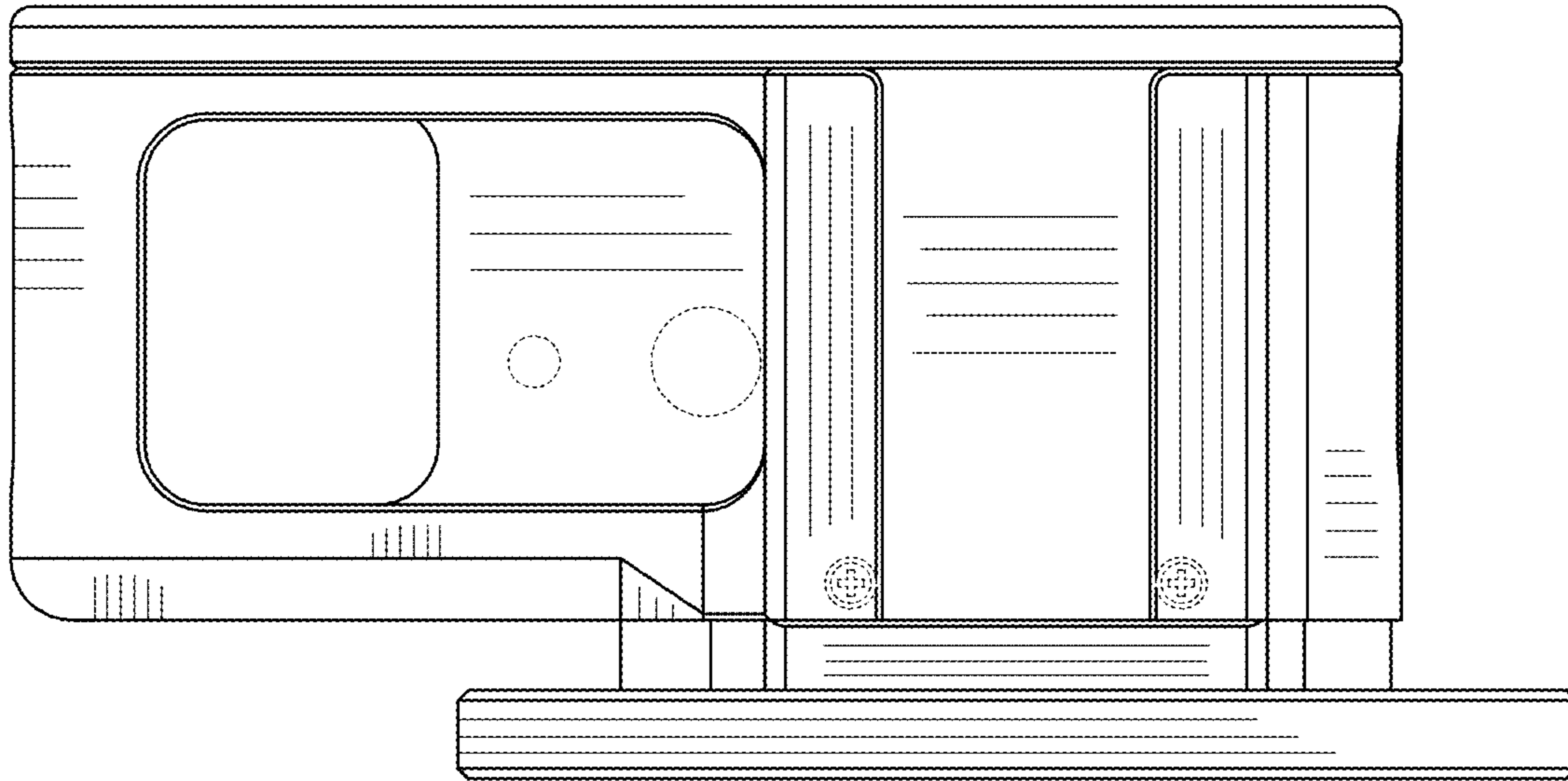


FIG. 6

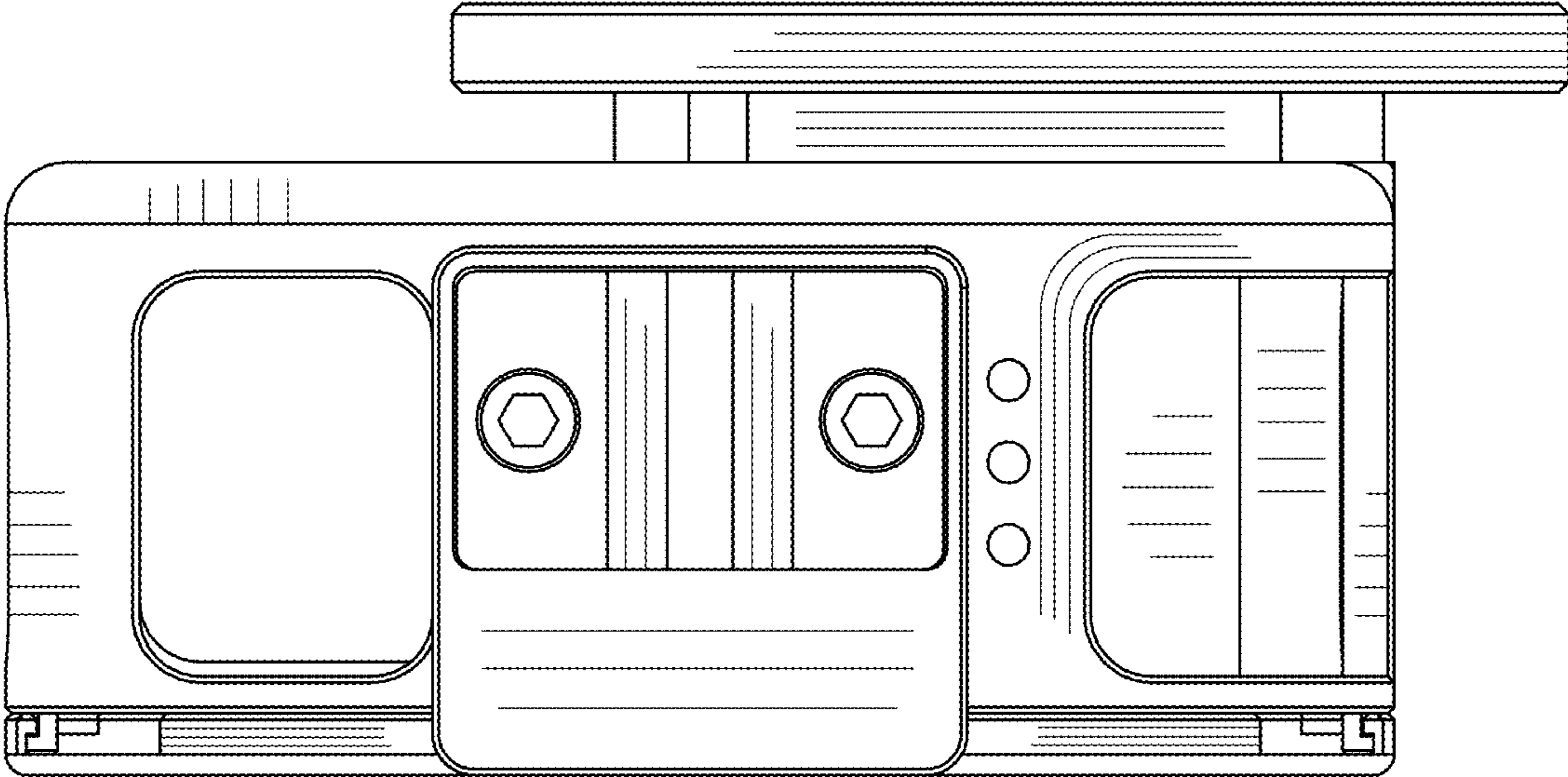


FIG. 7