



US00D880566S

(12) **United States Design Patent**  
**Wang et al.**

(10) **Patent No.:** **US D880,566 S**

(45) **Date of Patent:** **\*\* Apr. 7, 2020**

(54) **CAMERA BASE STATION**

(71) Applicant: **Hangzhou Ezviz Software Co., Ltd.**,  
Hangzhou (CN)

(72) Inventors: **Wei Wang**, Hangzhou (CN); **Weike Zhu**, Hangzhou (CN)

(73) Assignee: **Hangzhou Ezviz Software Co., Ltd.**,  
Hangzhou (CN)

(\*\*) Term: **15 Years**

(21) Appl. No.: **29/665,439**

(22) Filed: **Oct. 3, 2018**

(30) **Foreign Application Priority Data**

Aug. 10, 2018 (CN) ..... 2018 3 0443500

(51) **LOC (12) Cl.** ..... **16-05**

(52) **U.S. Cl.**  
USPC ..... **D16/237**

(58) **Field of Classification Search**  
USPC ..... D16/219, 237-250; D8/354, 355, 363,  
D8/373, 382-383, 394-396; D14/224,  
D14/229, 238, 251, 447, 451, 457, 137,  
D14/155, 175, 188, 302, 308, 314, 348,  
D14/356-358, 472

CPC ..... A45F 2200/0508-0533; A45F 5/00; A45F  
5/10; F16M 11/06-10; F16M 11/14;  
G02B 7/00-002; G03B 17/56; G03B  
17/561-568; H04N 5/2253-2254

See application file for complete search history.

(56) **References Cited**

**U.S. PATENT DOCUMENTS**

D223,454 S \* 4/1972 Finkel ..... D14/238  
D374,480 S \* 10/1996 Micoley ..... D23/356  
D414,773 S \* 10/1999 Heiligenstein ..... D14/238  
D524,799 S \* 7/2006 Hibi ..... D14/216  
D542,279 S \* 5/2007 Chan ..... D14/216  
D692,411 S \* 10/2013 Joseph ..... D14/215

D692,413 S \* 10/2013 Holzer ..... D14/215  
D707,338 S \* 6/2014 Ediger ..... D23/356  
D770,416 S \* 11/2016 Tkachuk ..... D14/216  
D781,798 S \* 3/2017 Klepper ..... D14/125  
D806,844 S \* 1/2018 Kim ..... D23/364  
9,948,837 B1 \* 4/2018 Gartrell ..... B60R 11/04  
10,048,570 B1 \* 8/2018 Gartrell ..... G03B 17/02  
D835,600 S \* 12/2018 Weiss ..... D14/204  
D838,255 S \* 1/2019 Wang ..... D14/204

(Continued)

**OTHER PUBLICATIONS**

Ezviz C3A Single Pack with 4G base station. [online] Published on Apr. 16, 2019. Retrieved Aug. 19, 2019 from URL: <https://www.coolblue.be/en/product/827615/ezviz-c3a-single-pack-with-4g-base-station.html>.\*

*Primary Examiner* — Vy N Koenig

(74) *Attorney, Agent, or Firm* — Clements Bernard Walker

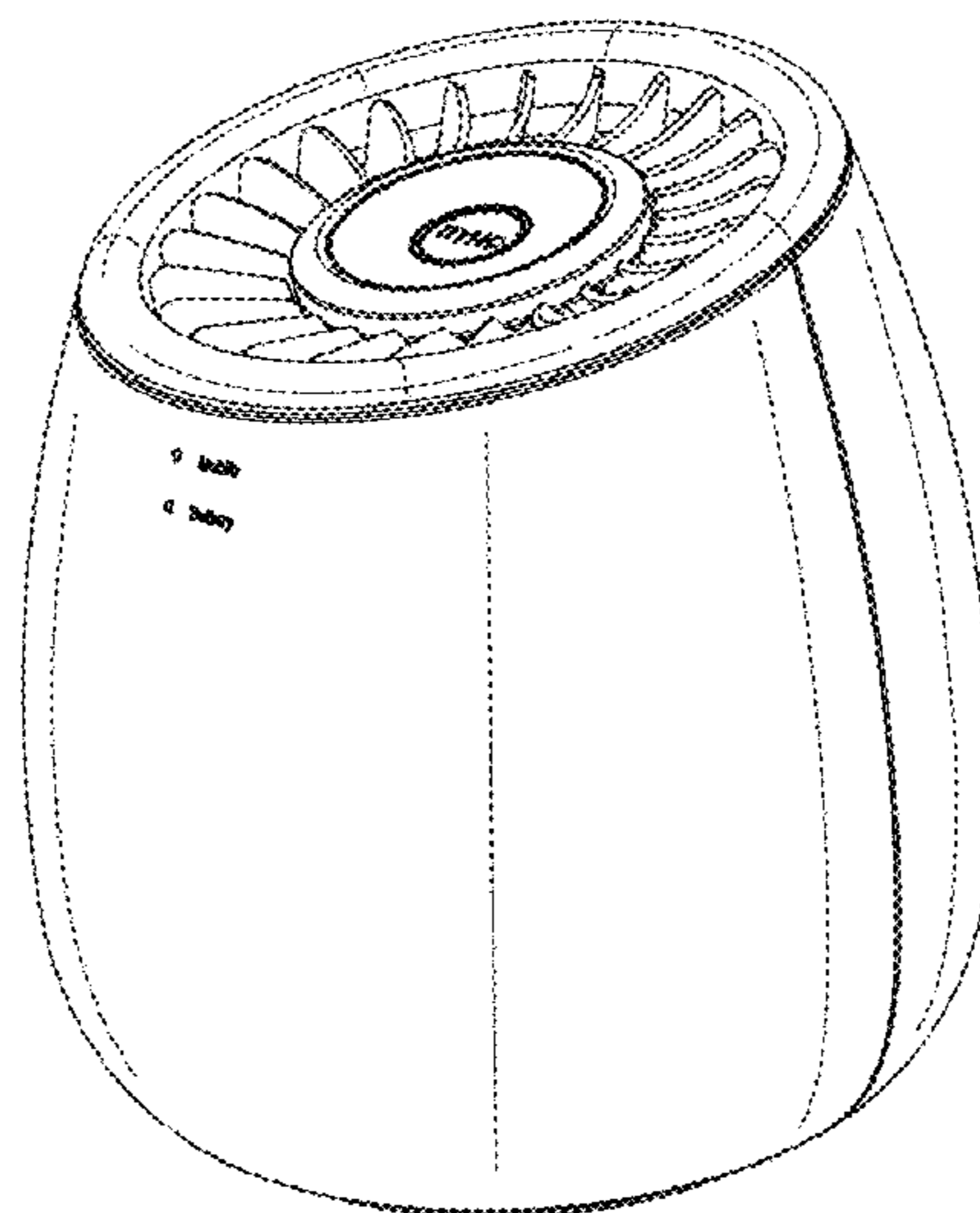
(57) **CLAIM**

The ornamental design for a camera base station, as shown and described.

**DESCRIPTION**

FIG. 1 is a front view of a camera base station showing our new design;  
FIG. 2 is a left view of the camera base station shown in FIG. 1;  
FIG. 3 is a right view of the camera base station shown in FIG. 1;  
FIG. 4 is a top view of the camera base station shown in FIG. 1;  
FIG. 5 is a back view of the camera base station shown in FIG. 1;  
FIG. 6 is a perspective view of the camera base station shown in FIG. 1; and,  
FIG. 7 is another perspective view of the camera base station shown in FIG. 1.

**1 Claim, 7 Drawing Sheets**



(56)

**References Cited**

U.S. PATENT DOCUMENTS

D847,788 S \* 5/2019 Baker ..... D14/217  
2018/0187828 A1\* 7/2018 Law ..... F16M 11/041

\* cited by examiner

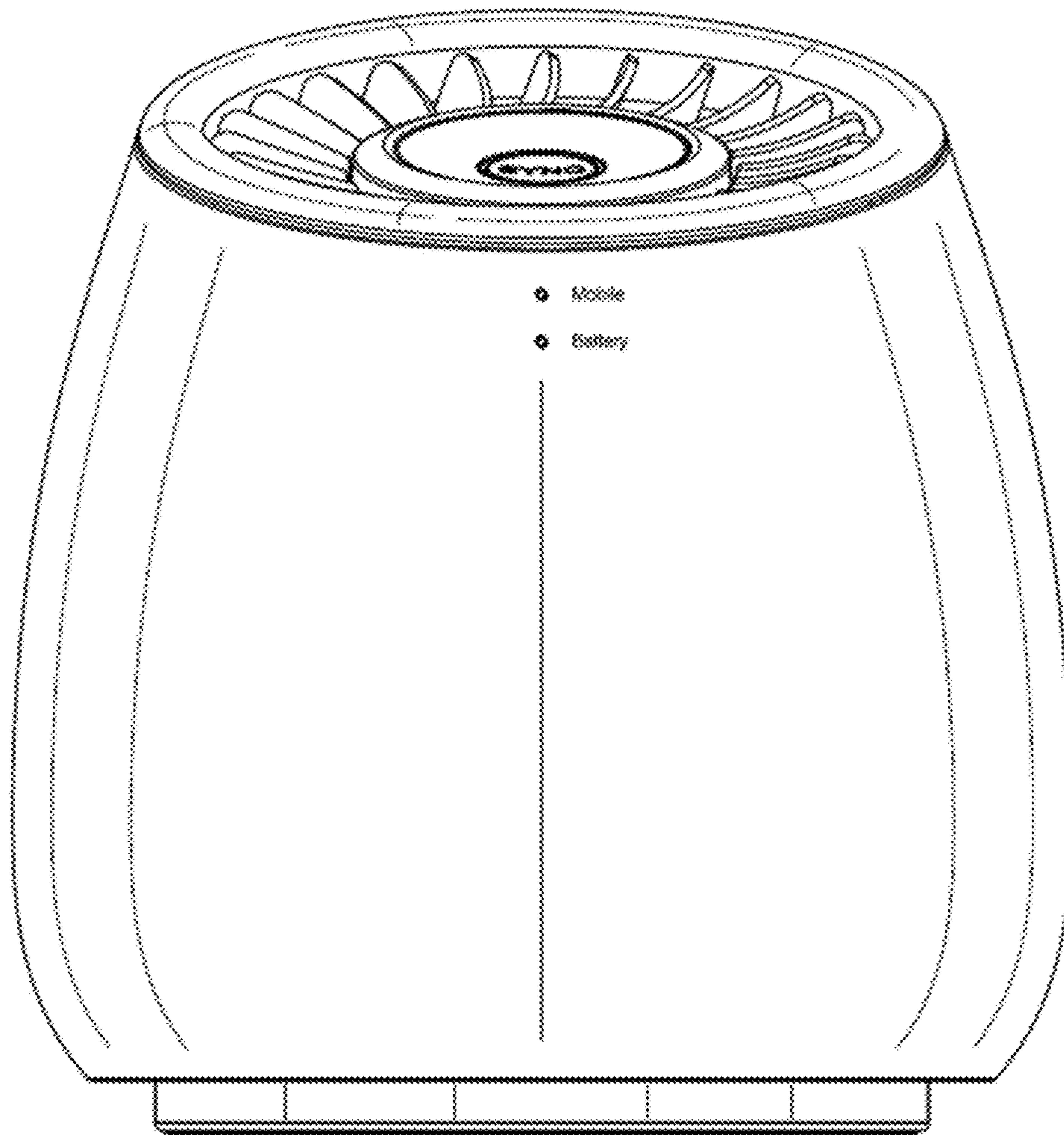


FIG. 1

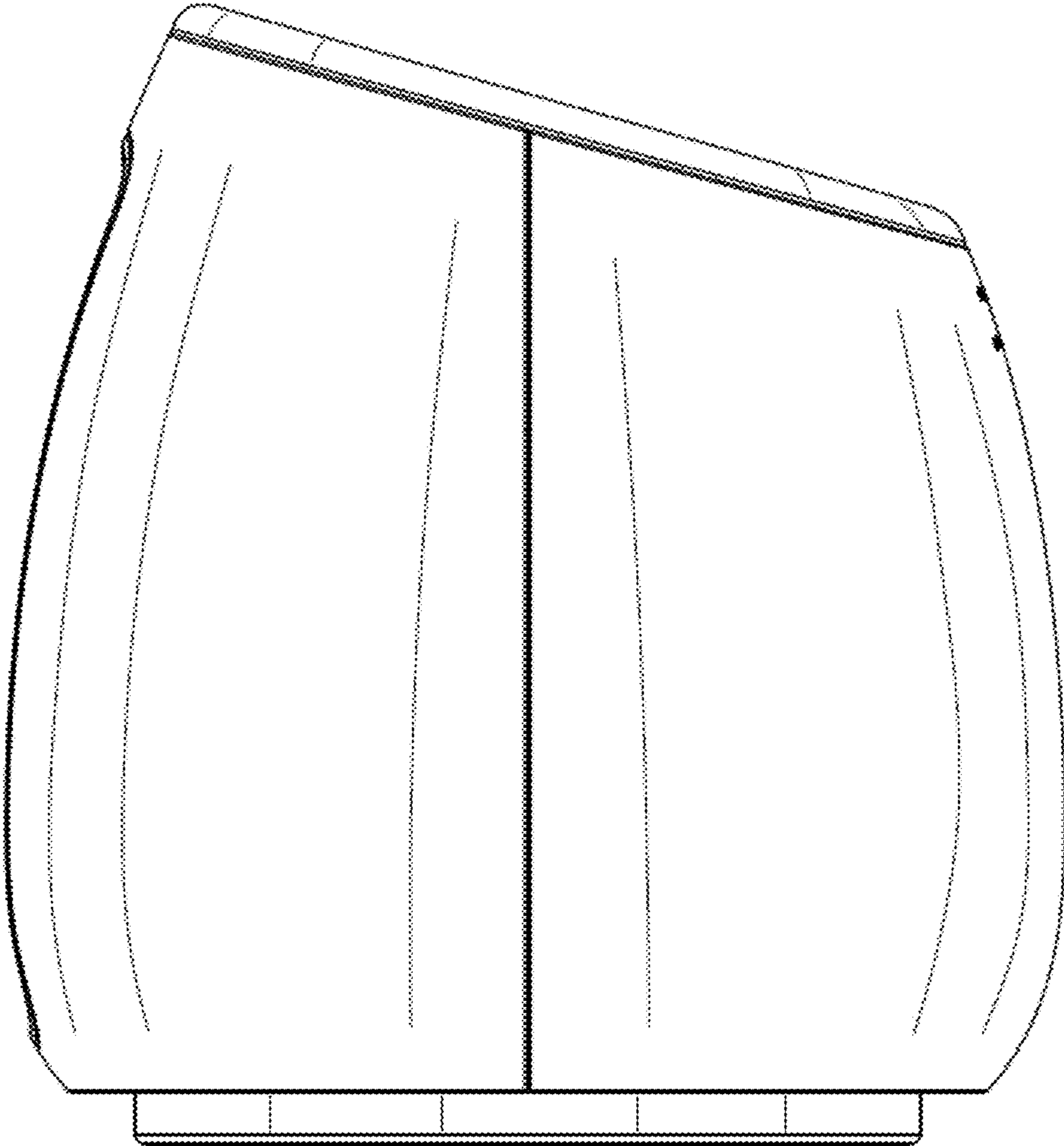


FIG. 2

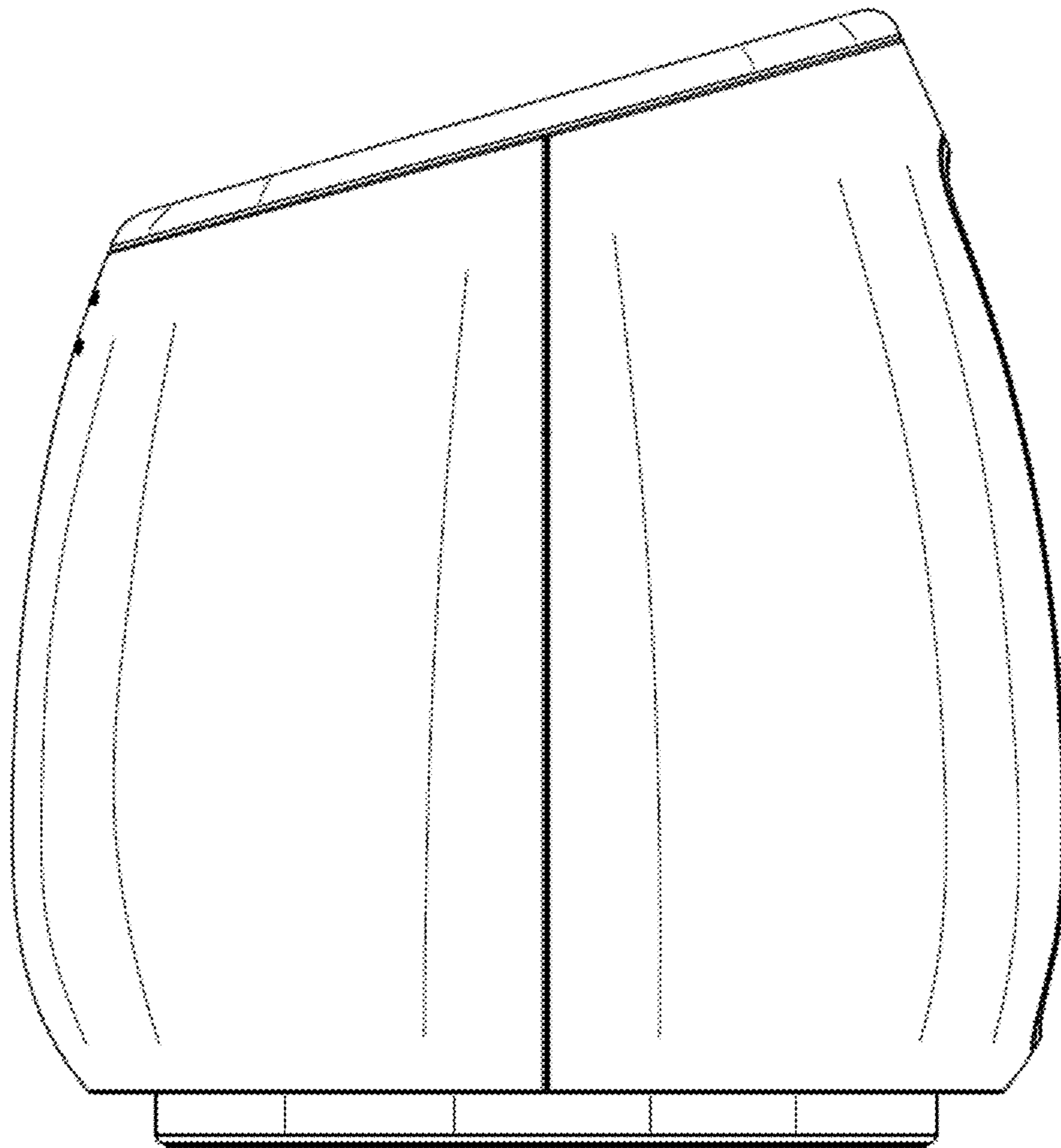


FIG. 3

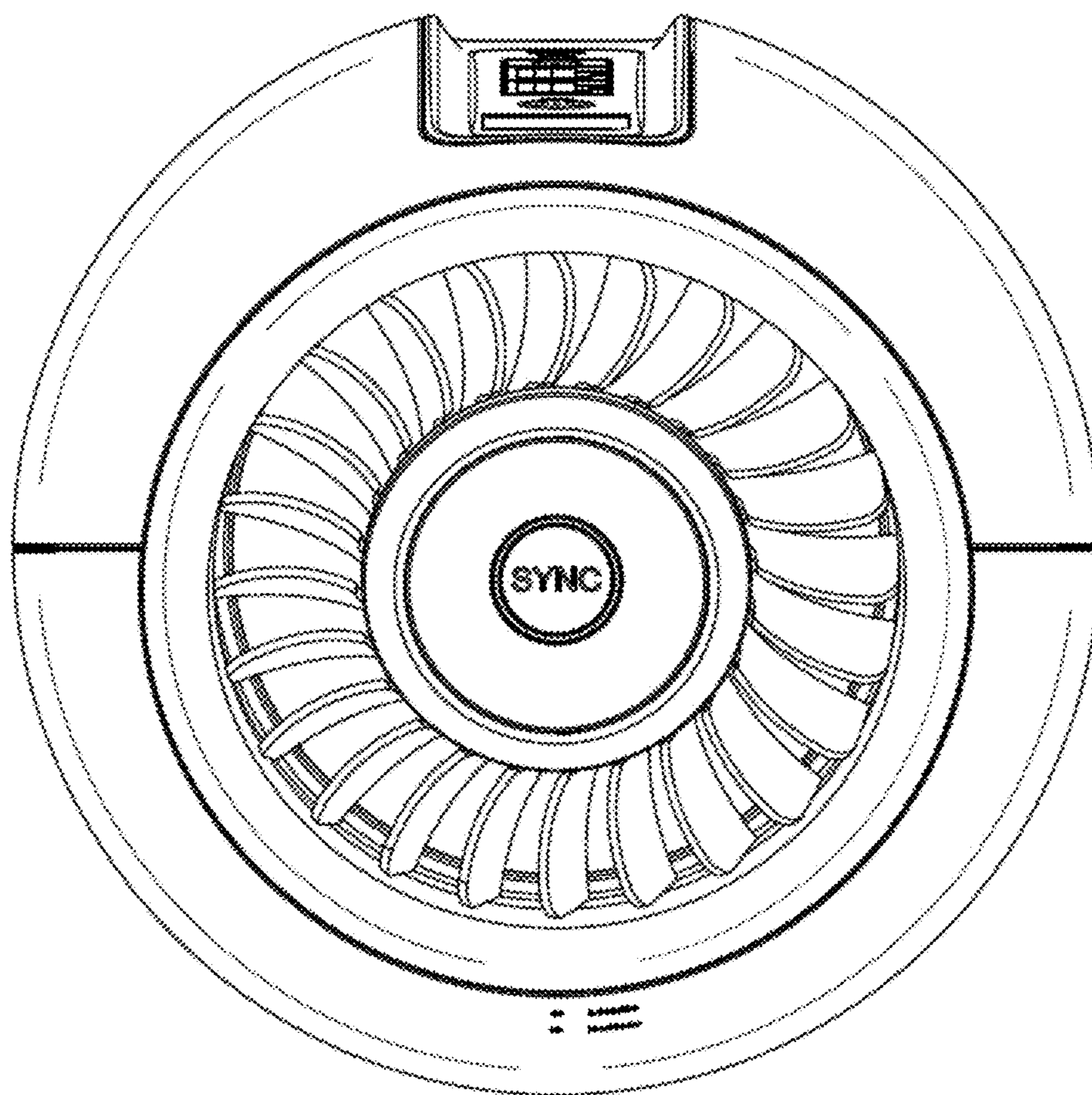


FIG. 4

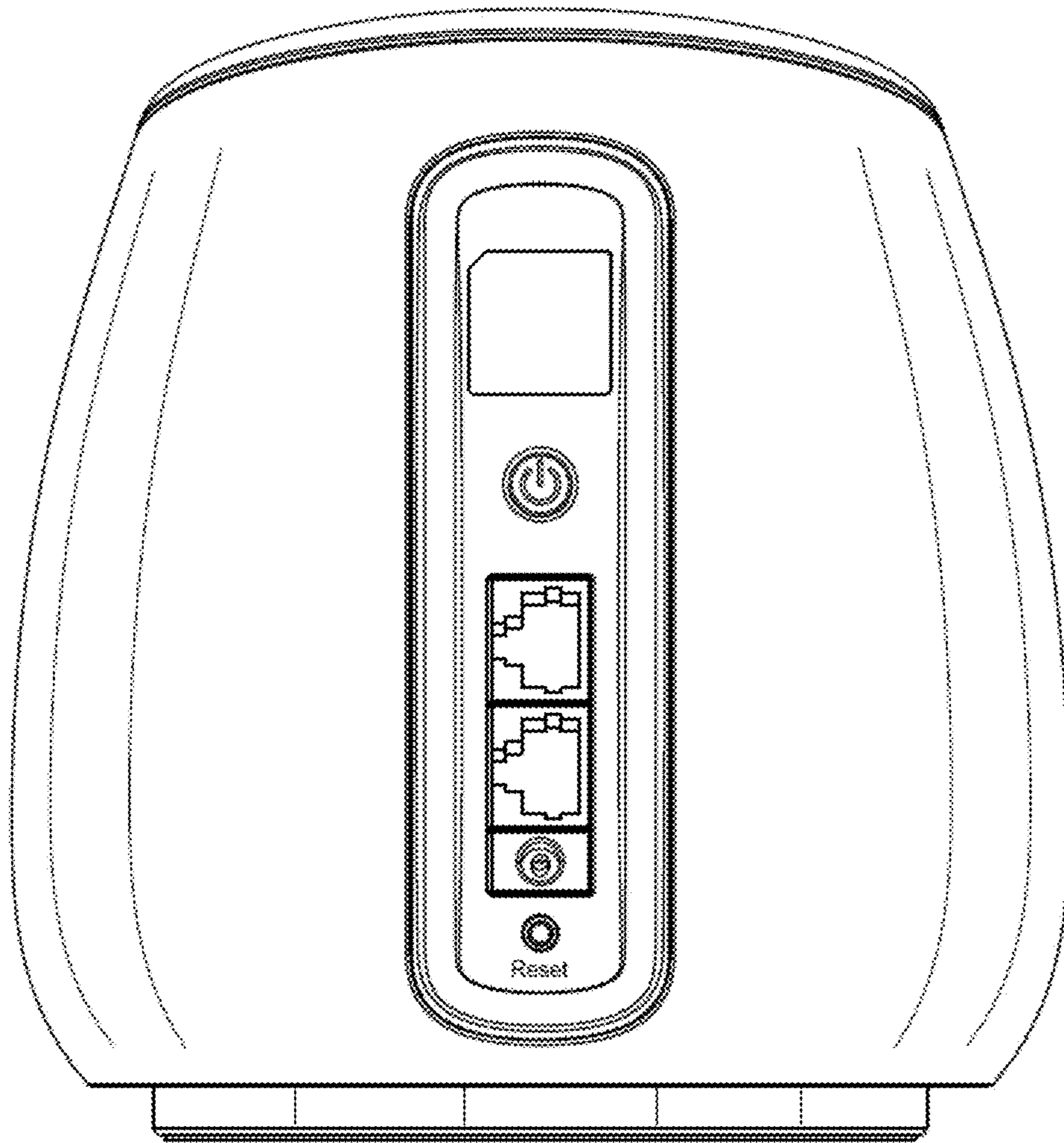


FIG. 5

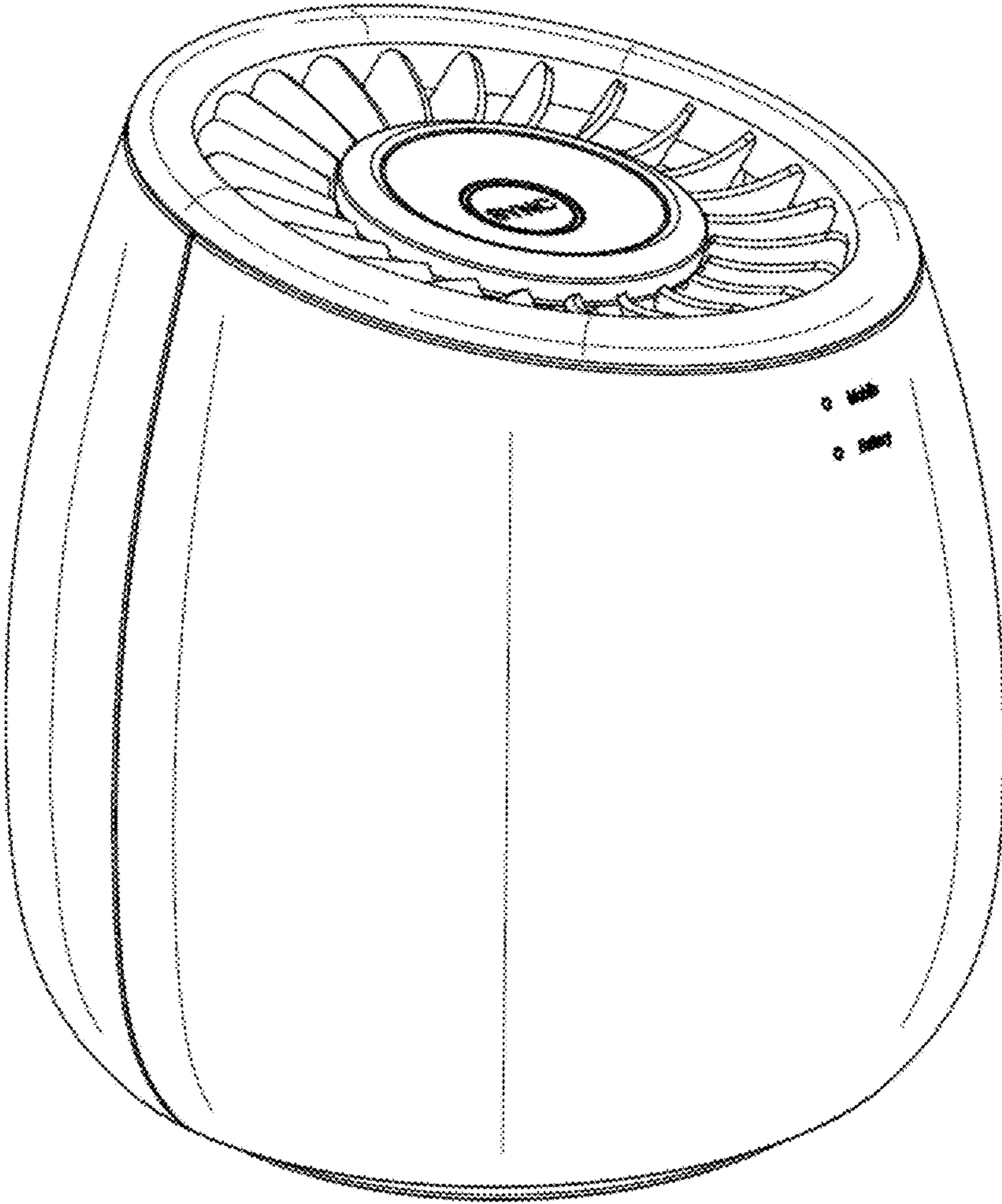


FIG. 6



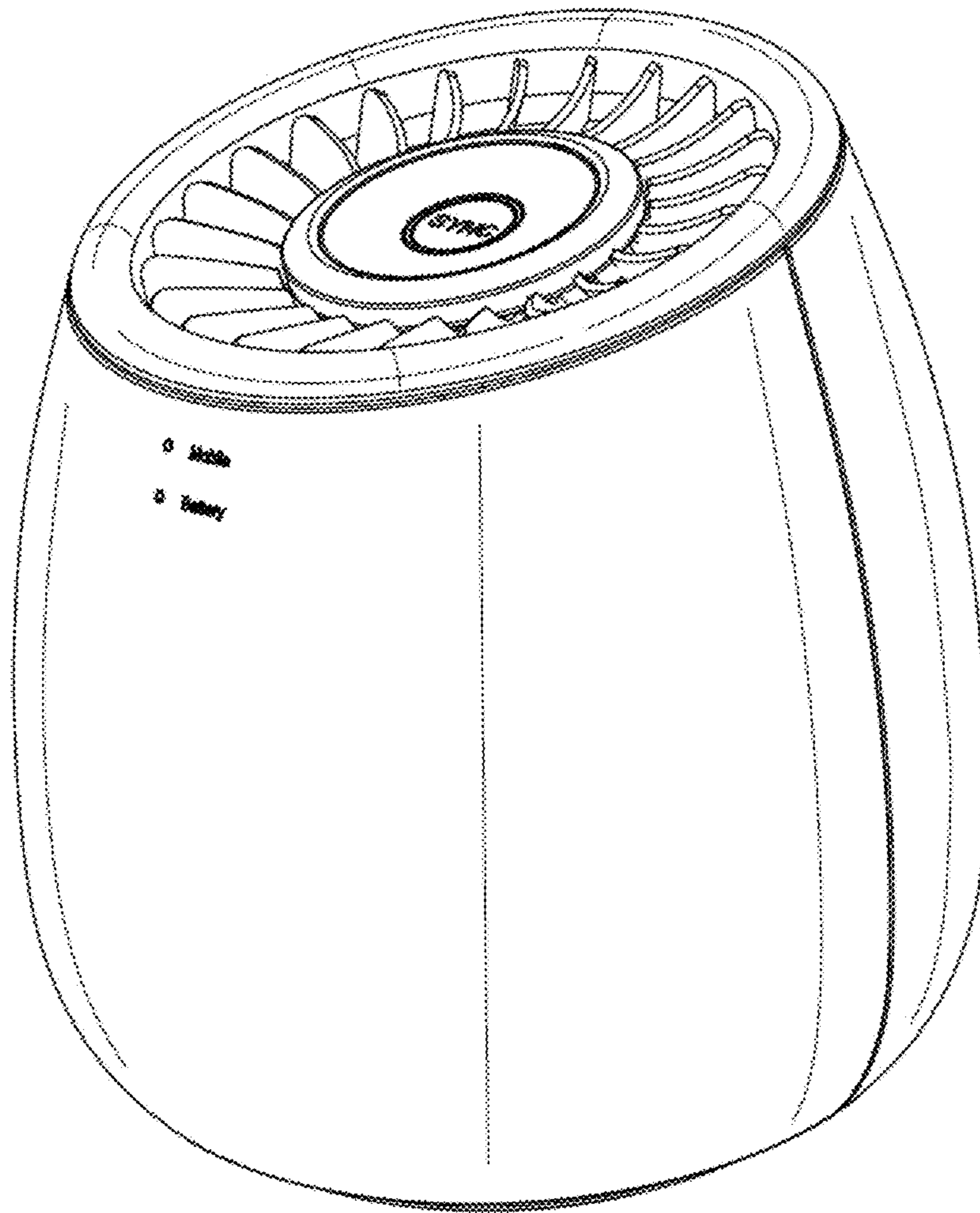


FIG. 7