



US00D880565S

(12) **United States Design Patent**  
**Hu et al.**

(10) **Patent No.:** **US D880,565 S**  
(45) **Date of Patent:** **\*\* Apr. 7, 2020**

(54) **PROJECTOR**

D683,782 S \* 6/2013 Ishibashi ..... D16/230  
D709,938 S \* 7/2014 Okamoto ..... D16/225  
D828,431 S \* 9/2018 Gan ..... D16/230

(71) Applicant: **NEC Viewtechnology Trading  
(Shenzhen), Ltd.**, Shenzhen (CN)

(Continued)

(72) Inventors: **Yujun Hu**, Shenzhen (CN); **Chenghua  
Jin**, Shenzhen (CN); **Huaqiao Dong**,  
Shenzhen (CN)

**OTHER PUBLICATIONS**

Japanese Office Action, issued in the corresponding Japanese design  
patent application No. 2018-027272, dated Jul. 29, 2019, 4 pages.

(Continued)

(73) Assignee: **NEC Viewtechnology Trading  
(Shenzhen), Ltd.**, Shenzhen (CN)

*Primary Examiner* — Wan Laymon

(\*\*) Term: **15 Years**

(74) *Attorney, Agent, or Firm* — Hamre, Schumann,  
Mueller & Larson, P.C.

(21) Appl. No.: **29/673,175**

(57) **CLAIM**

(22) Filed: **Dec. 12, 2018**

The ornamental design for a projector, as shown and  
described.

(30) **Foreign Application Priority Data**

**DESCRIPTION**

Nov. 6, 2018 (CN) ..... 2018 3 0624176

(51) **LOC (12) Cl.** ..... **16-02**

(52) **U.S. Cl.**  
USPC ..... **D16/230**

(58) **Field of Classification Search**  
USPC ..... D16/221, 225, 230–231, 234; D21/514;  
353/115, 119  
CPC ..... G03B 21/145; G03B 21/14; G03B 21/00;  
G03B 21/001; G03B 21/003; G03B  
21/12; G03B 21/16

See application file for complete search history.

FIG. 1 is a front, top, left-side perspective view of a  
projector;  
FIG. 2 is a front, top, right-side perspective view of the  
projector depicted in FIG. 1;  
FIG. 3 is a front view of the projector depicted in FIG. 1 and  
FIG. 2;  
FIG. 4 is a rear view of the projector depicted in FIG. 1 and  
FIG. 2;  
FIG. 5 is a left side view of the projector depicted in FIG.  
1 and FIG. 2;  
FIG. 6 is a right side view of the projector depicted in FIG.  
1 and FIG. 2; and,  
FIG. 7 is a top view of the projector depicted in FIG. 1 and  
FIG. 2.

(56) **References Cited**

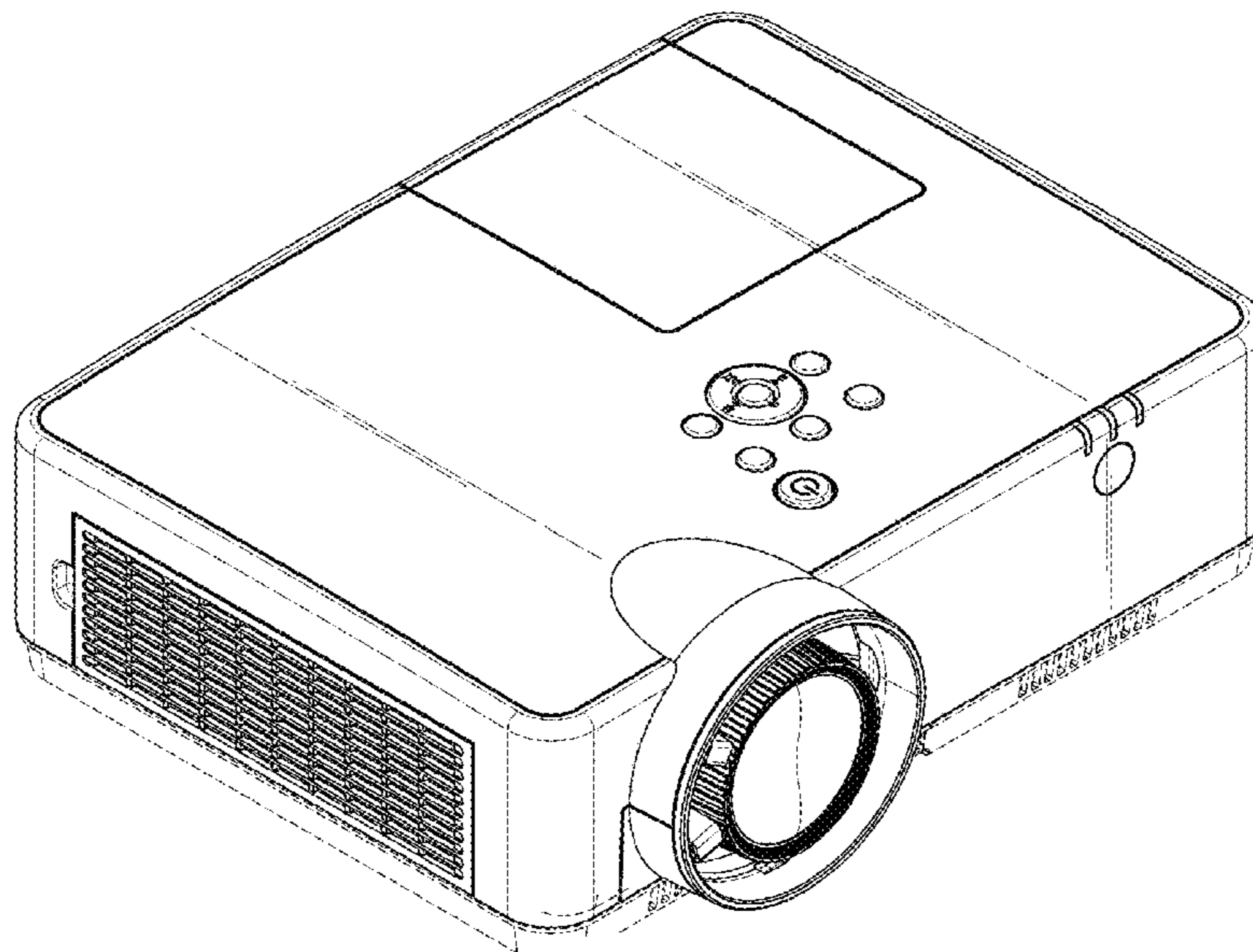
**U.S. PATENT DOCUMENTS**

D414,794 S \* 10/1999 Isono ..... D16/225  
D472,571 S \* 4/2003 Williams ..... D16/230  
D577,051 S \* 9/2008 Yamamizu ..... D16/225  
8,104,902 B2 \* 1/2012 Mao ..... G03B 21/16  
348/241  
D656,174 S \* 3/2012 Ogawa ..... D16/225

The bottom view of the projector is not seen when the  
projector is in use, and is thus omitted.

The broken line showing in the figures, including the broken  
line illustrating the features inside the housing of the pro-  
jector in FIG. 6, is for the purpose of illustrating portions of  
the projector and forms no part of the claimed design.

**1 Claim, 7 Drawing Sheets**



(56)

**References Cited**

U.S. PATENT DOCUMENTS

D831,096 S \* 10/2018 Gao ..... D16/230  
D858,615 S \* 9/2019 Wang ..... D16/230  
2016/0246051 A1\* 8/2016 Okamoto ..... G03B 21/14

OTHER PUBLICATIONS

Thai Office Action, issued in the corresponding Thai design patent application No. 1902001603, dated Aug. 13, 2019, 17 pages.

Thai Office Action, issued in the corresponding Thai design patent application No. 1902001604, dated Aug. 13, 2019, 17 pages.

\* cited by examiner

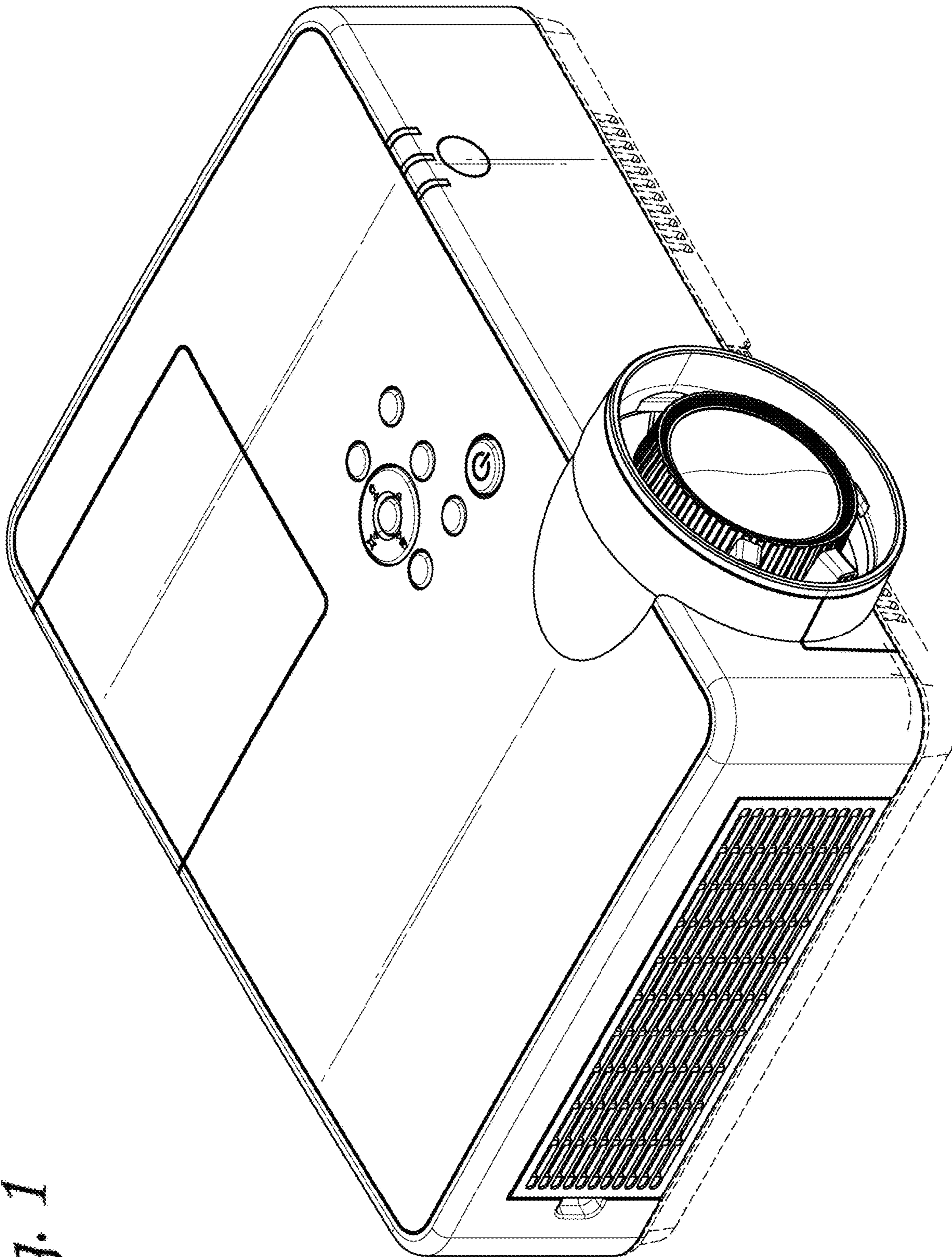


Fig. 1

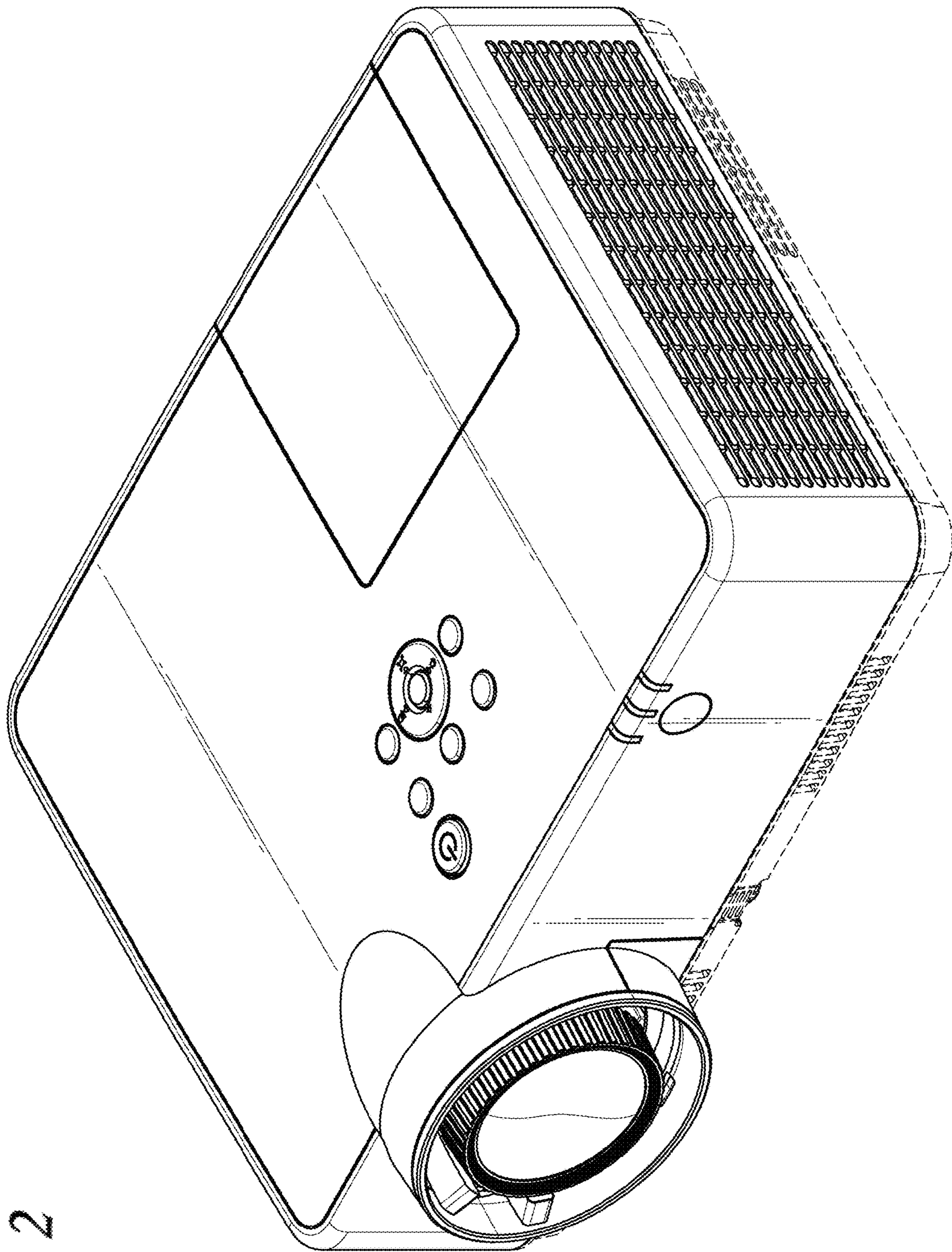


Fig. 2

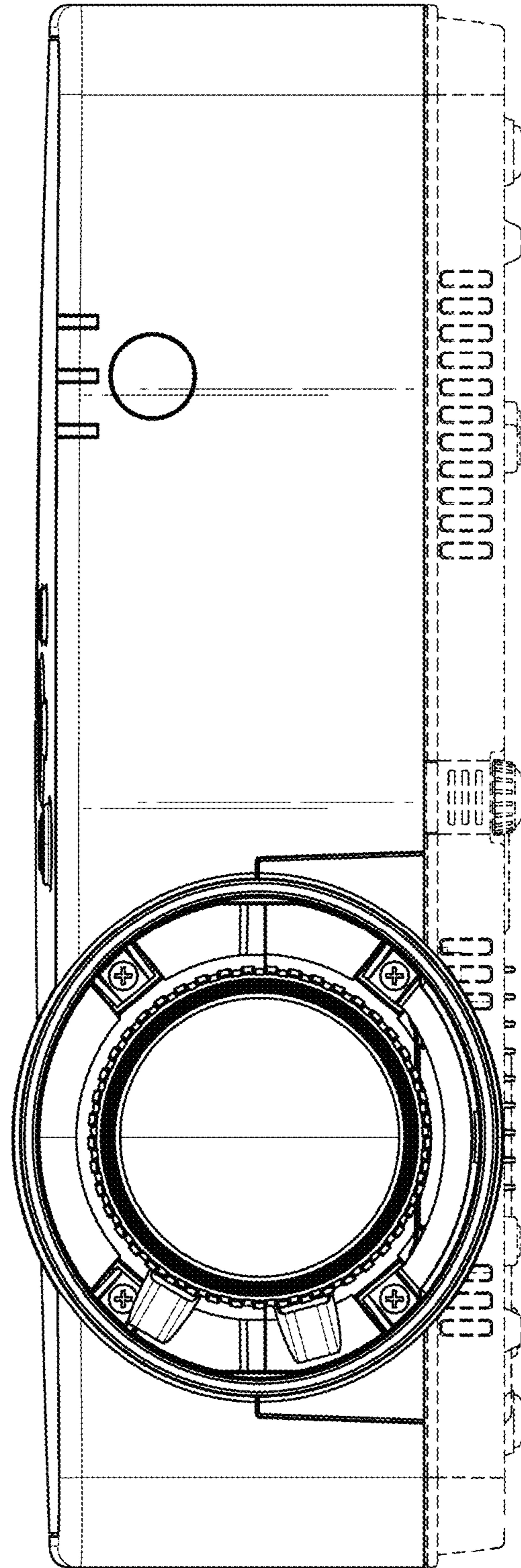


Fig. 3

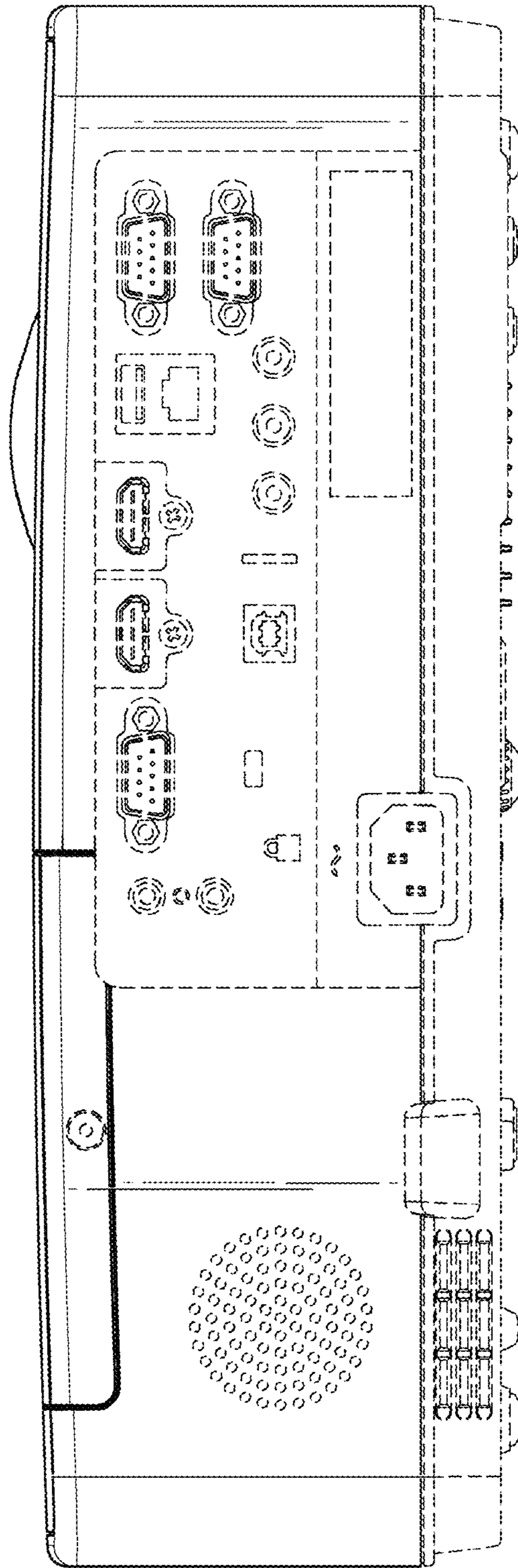
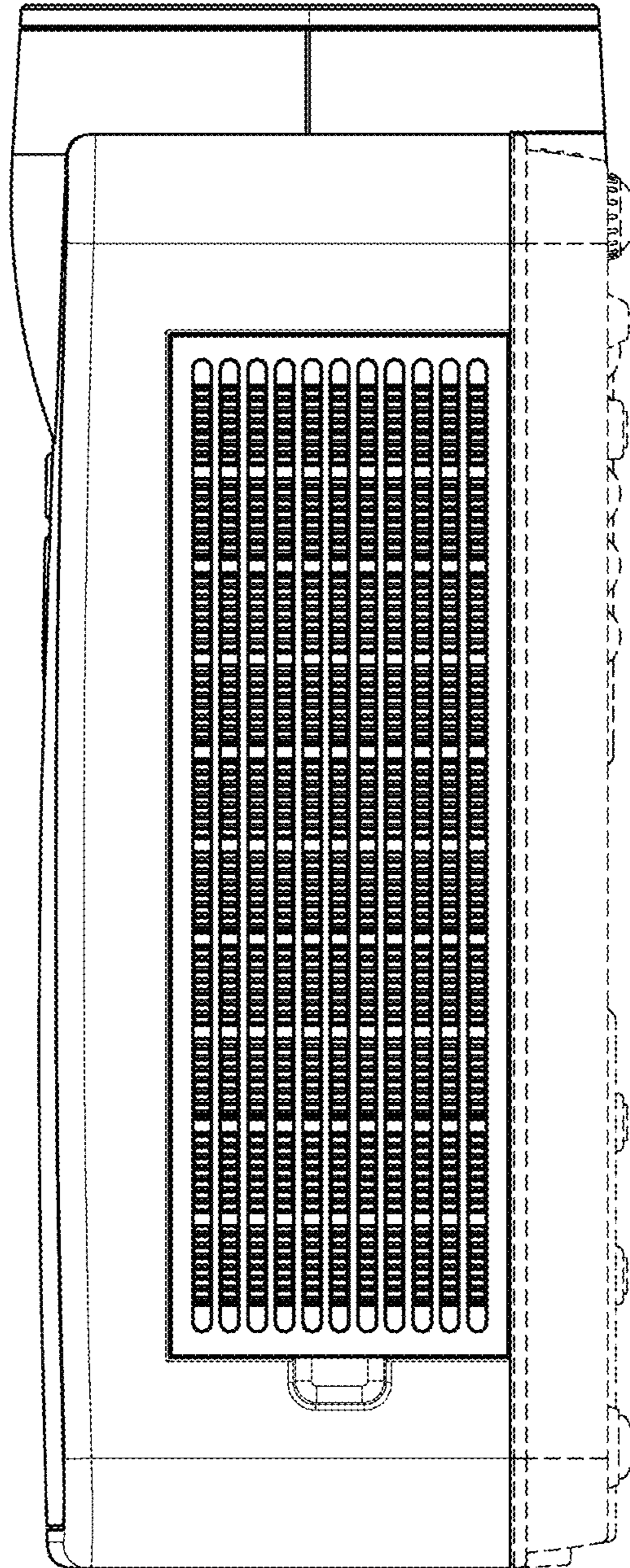
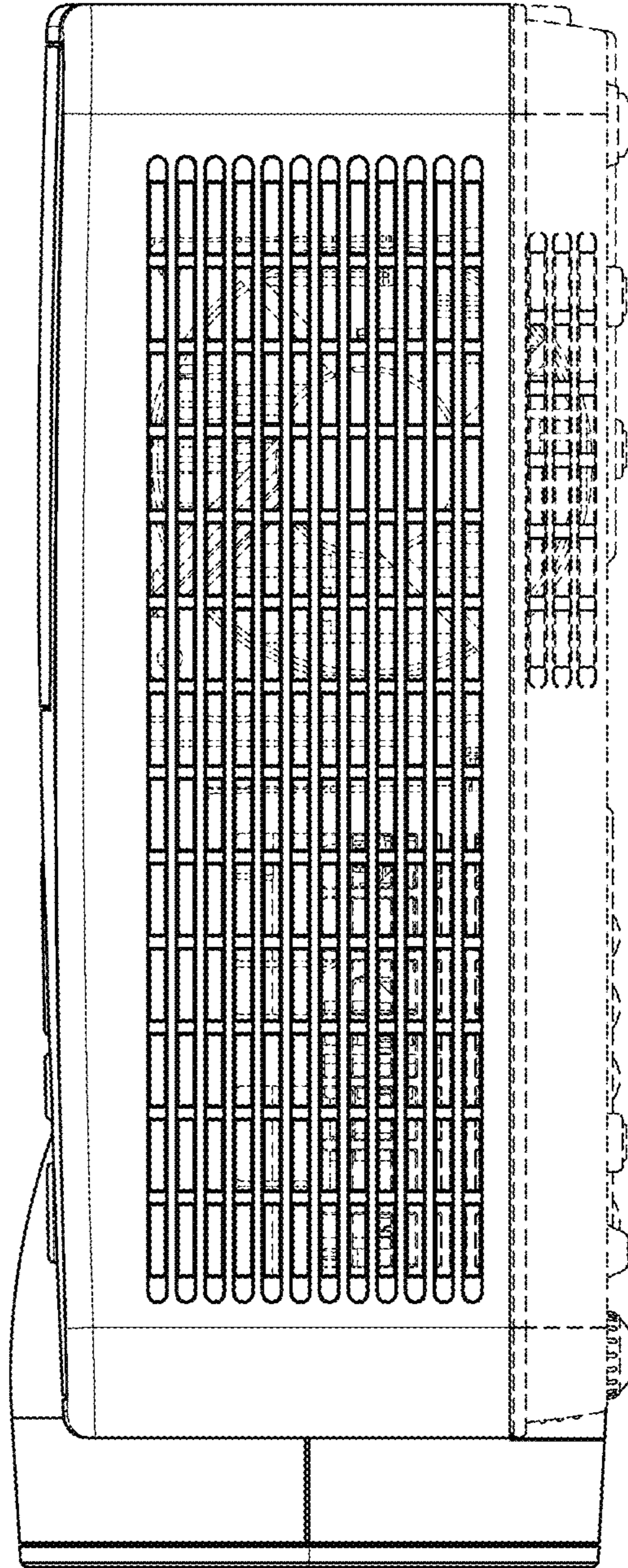


Fig. 4



*Fig. 5*



*Fig. 6*



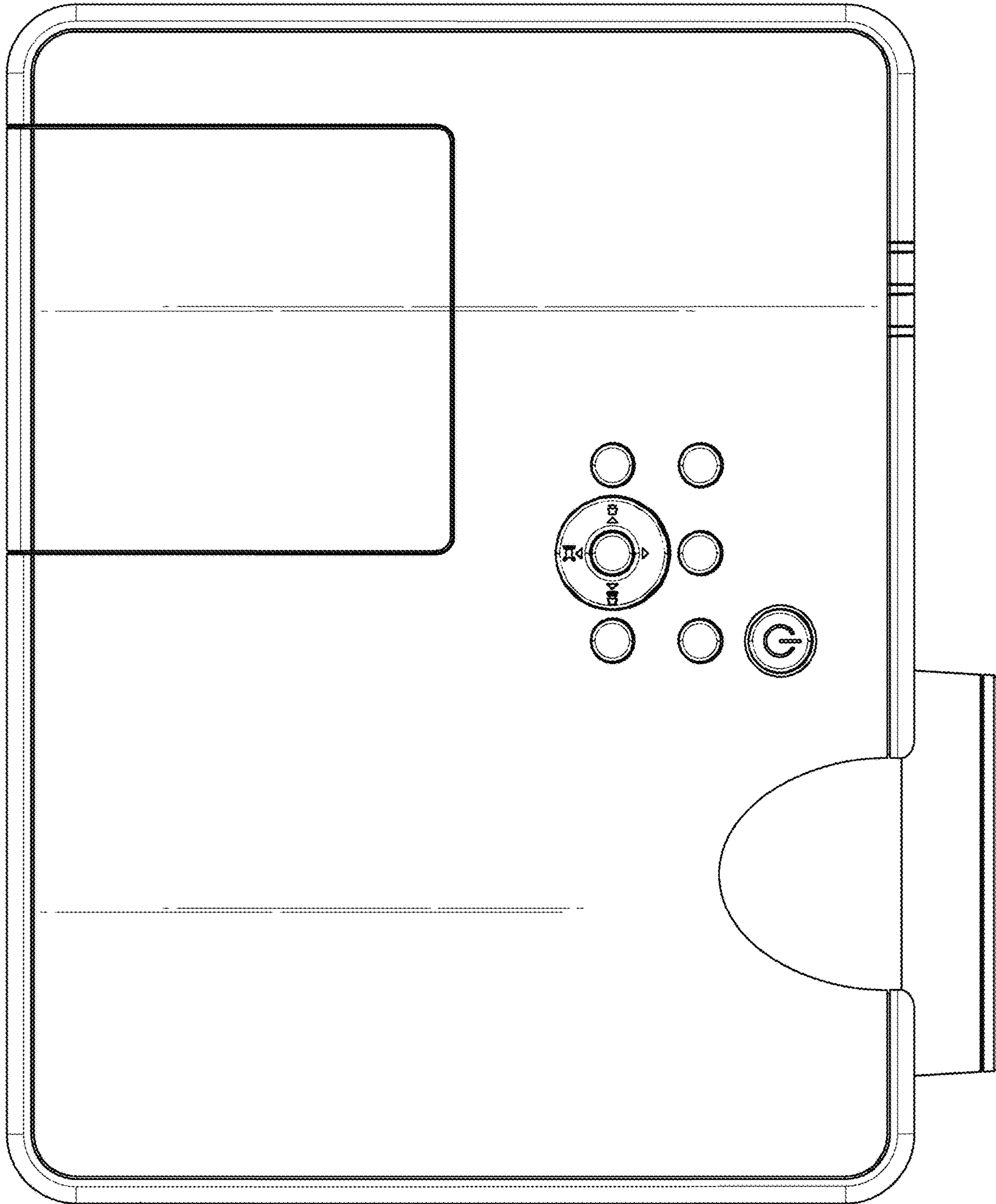


Fig. 7