



US00D880564S

(12) **United States Design Patent** (10) **Patent No.:** **US D880,564 S**
Kao et al. (45) **Date of Patent:** **** Apr. 7, 2020**

(54) **PROJECTOR EQUIPPED WITH A LAMP**

D695,814 S * 12/2013 Park D16/232
D717,855 S * 11/2014 Hong D16/232
D764,563 S * 8/2016 Magi D16/221

(71) Applicants: **Hsing-Yi Kao**, Taipei (TW);
Ming-Chung Liu, Taipei (TW);
Shih-Neng Hong, Taipei (TW)

(Continued)

Primary Examiner — Wan Laymon

(72) Inventors: **Hsing-Yi Kao**, Taipei (TW);
Ming-Chung Liu, Taipei (TW);
Shih-Neng Hong, Taipei (TW)

(74) *Attorney, Agent, or Firm* — JCIPRNET

(57) **CLAIM**

The ornamental design for a projector equipped with a lamp, as shown and described.

(73) Assignee: **COMPAL ELECTRONICS, INC.**,
Taipei (TW)

DESCRIPTION

(**) Term: **15 Years**

FIG. 1 is a perspective view of a projector equipped with a lamp showing our new design;

(21) Appl. No.: **29/673,224**

FIG. 2 is a front view thereof;

(22) Filed: **Dec. 13, 2018**

FIG. 3 is a rear view thereof;

(51) **LOC (12) Cl.** **16-02**

FIG. 4 is a left side view thereof;

(52) **U.S. Cl.**

FIG. 5 is a right side view thereof;

USPC **D16/229**; D16/225

FIG. 6 is a top view thereof;

(58) **Field of Classification Search**

FIG. 7 is a bottom view thereof;

USPC D16/221, 225, 229, 230–233, 208, 214;
D14/423; 348/373, 375; 353/119, 122

FIG. 8 is a perspective view thereof in a state which the support, the projector and the lamp are moved;

CPC G03B 21/00; G03B 21/001; G03B 21/003;
G03B 21/12; G03B 21/14; G03B 21/145;

FIG. 9 is a front view thereof in a state which the support, the projector and the lamp are moved;

G03B 21/2013; H04N 5/2251; H04N
5/2252; H04N 5/2253; H04N 5/2254;

FIG. 10 is a rear view thereof in a state which the support, the projector and the lamp are moved;

F21V 21/32; F21V 23/04

FIG. 11 is a left side view thereof in a state which the support, the projector and the lamp are moved;

See application file for complete search history.

FIG. 12 is a right side view thereof in a state which the support, the projector and the lamp are moved;

(56) **References Cited**

U.S. PATENT DOCUMENTS

FIG. 13 is a top view thereof in a state which the support, the projector and the lamp are moved; and,

D401,954 S * 12/1998 Oh D16/232

FIG. 14 is a bottom view thereof in a state which the support, the projector and the lamp are moved.

6,695,452 B2 * 2/2004 Panasewicz G03B 21/145

The dashed broken lines illustrate portions of the projector equipped with a lamp and form no part of the claimed design.

353/119

D487,903 S * 3/2004 Panasewicz D16/225

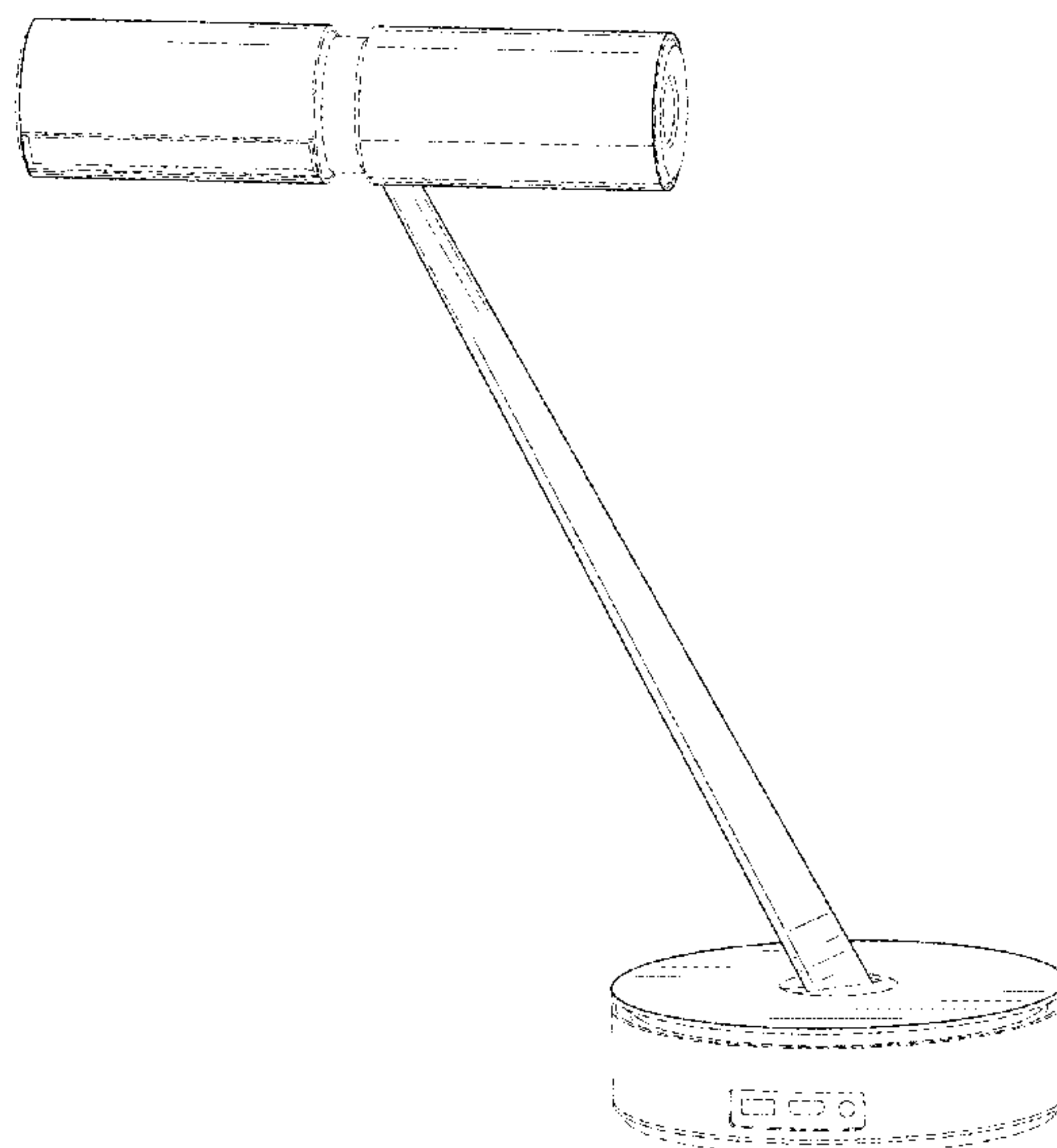
D518,081 S * 3/2006 Peard D16/225

7,281,807 B2 * 10/2007 Plut G03B 21/16

348/771

D554,685 S * 11/2007 Ishikawa D16/225

1 Claim, 14 Drawing Sheets



(56)

References Cited

U.S. PATENT DOCUMENTS

9,562,673 B1 * 2/2017 Khubani G03B 21/14
D819,713 S * 6/2018 Pickett D16/214
10,146,120 B1 * 12/2018 Zhang G03B 21/145
2004/0165389 A1 * 8/2004 Chang H04N 9/3141
362/317
2018/0106471 A1 * 4/2018 Gao G03B 21/145

* cited by examiner

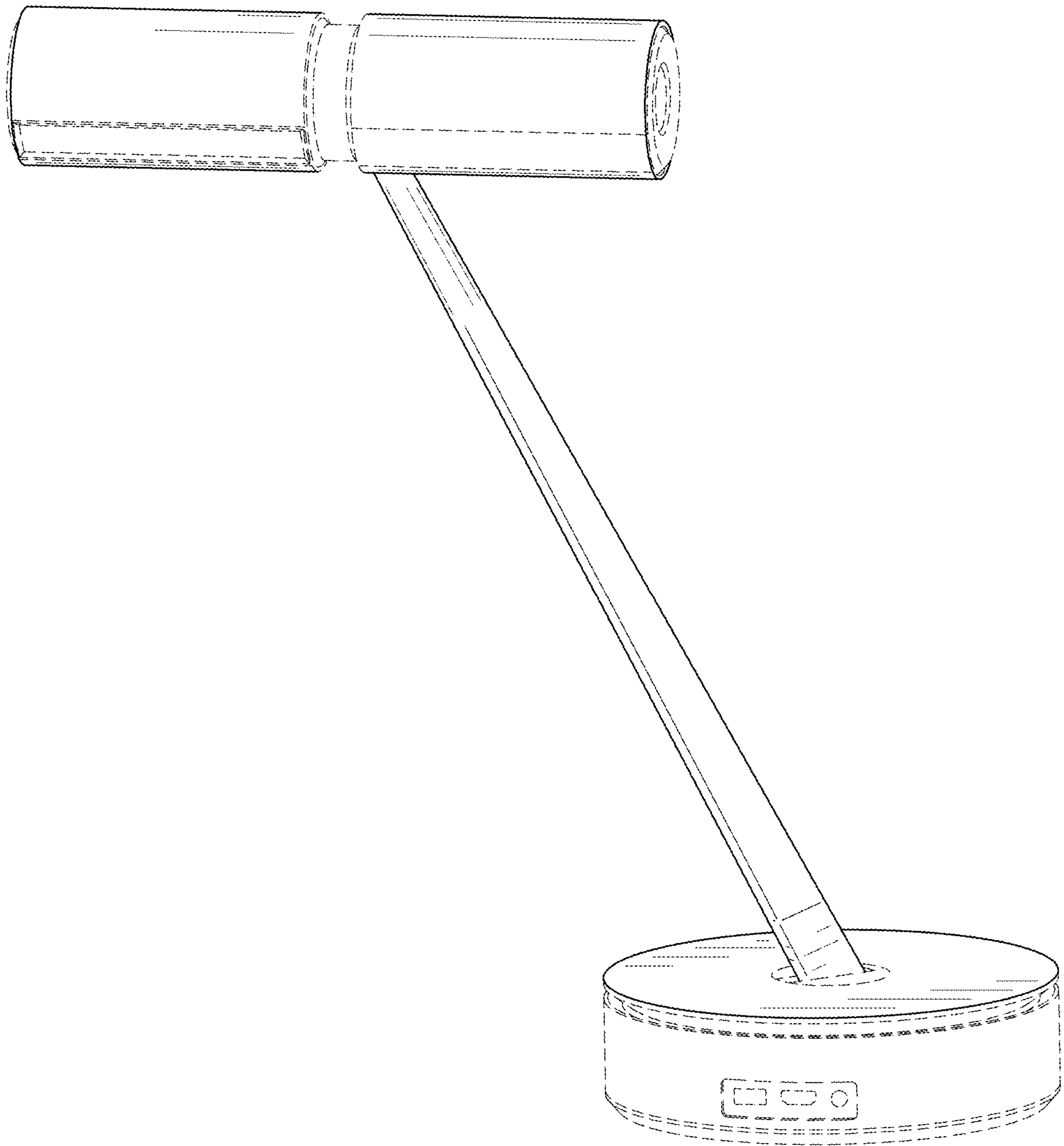


FIG. 1

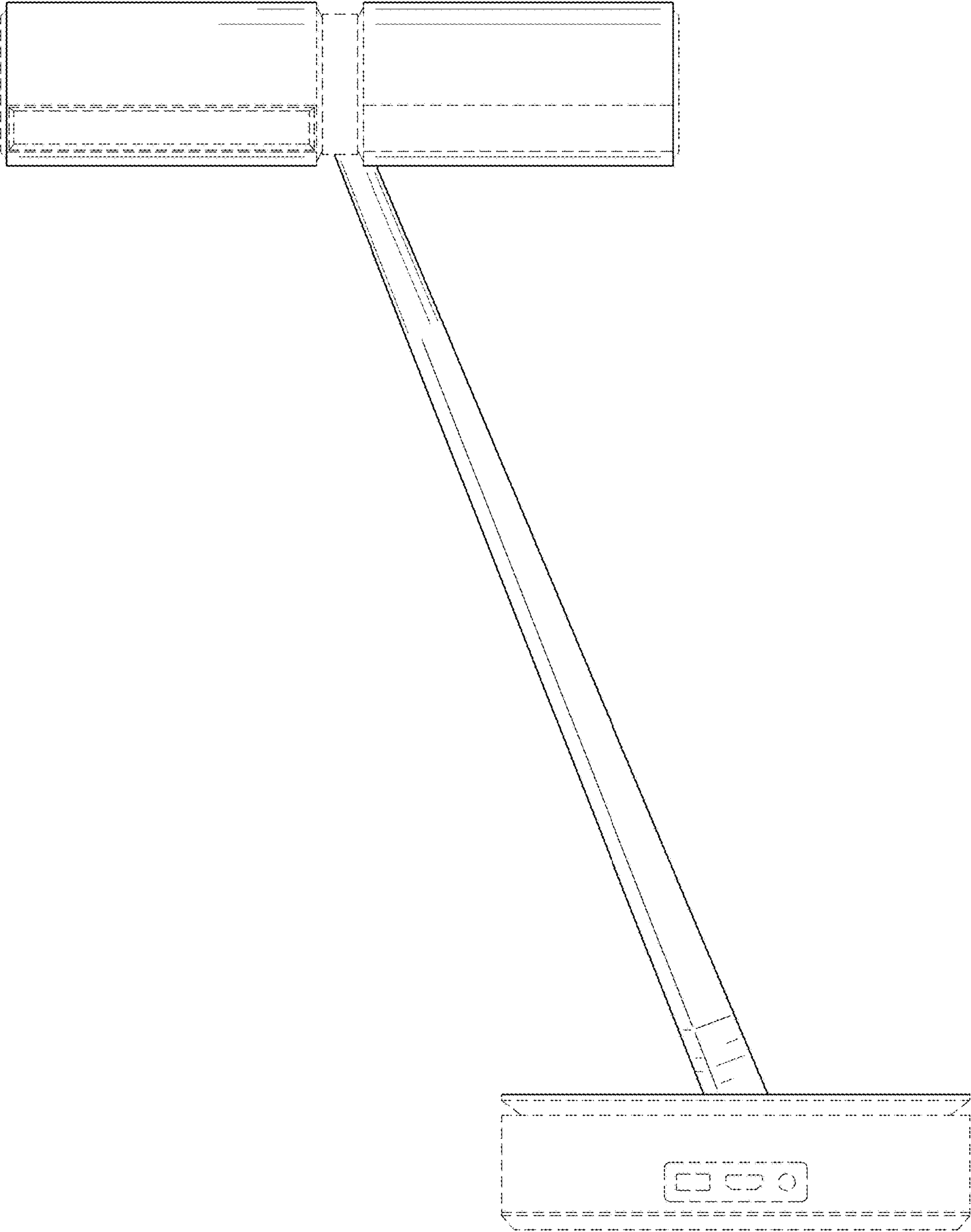


FIG. 2

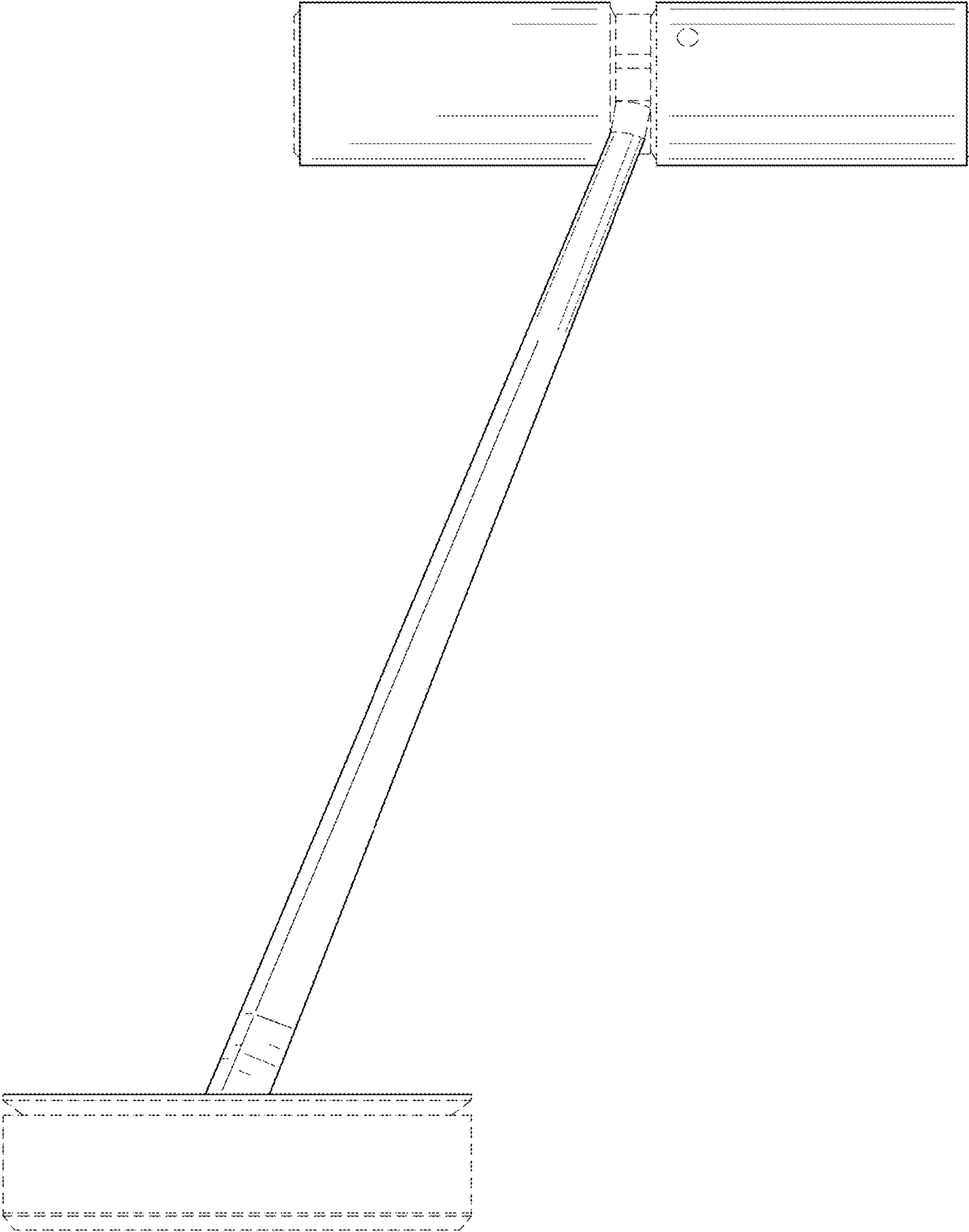


FIG. 3

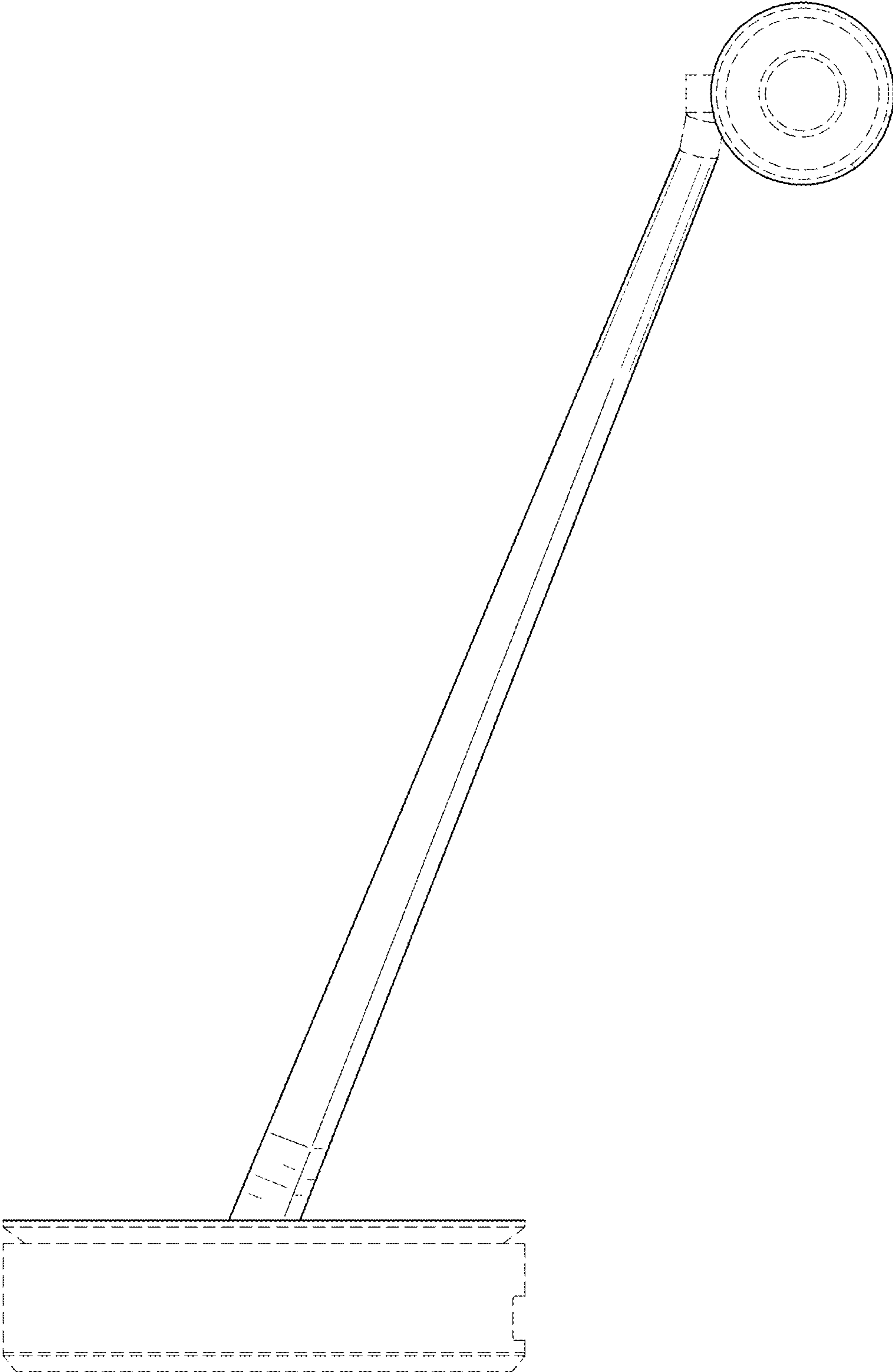


FIG. 4

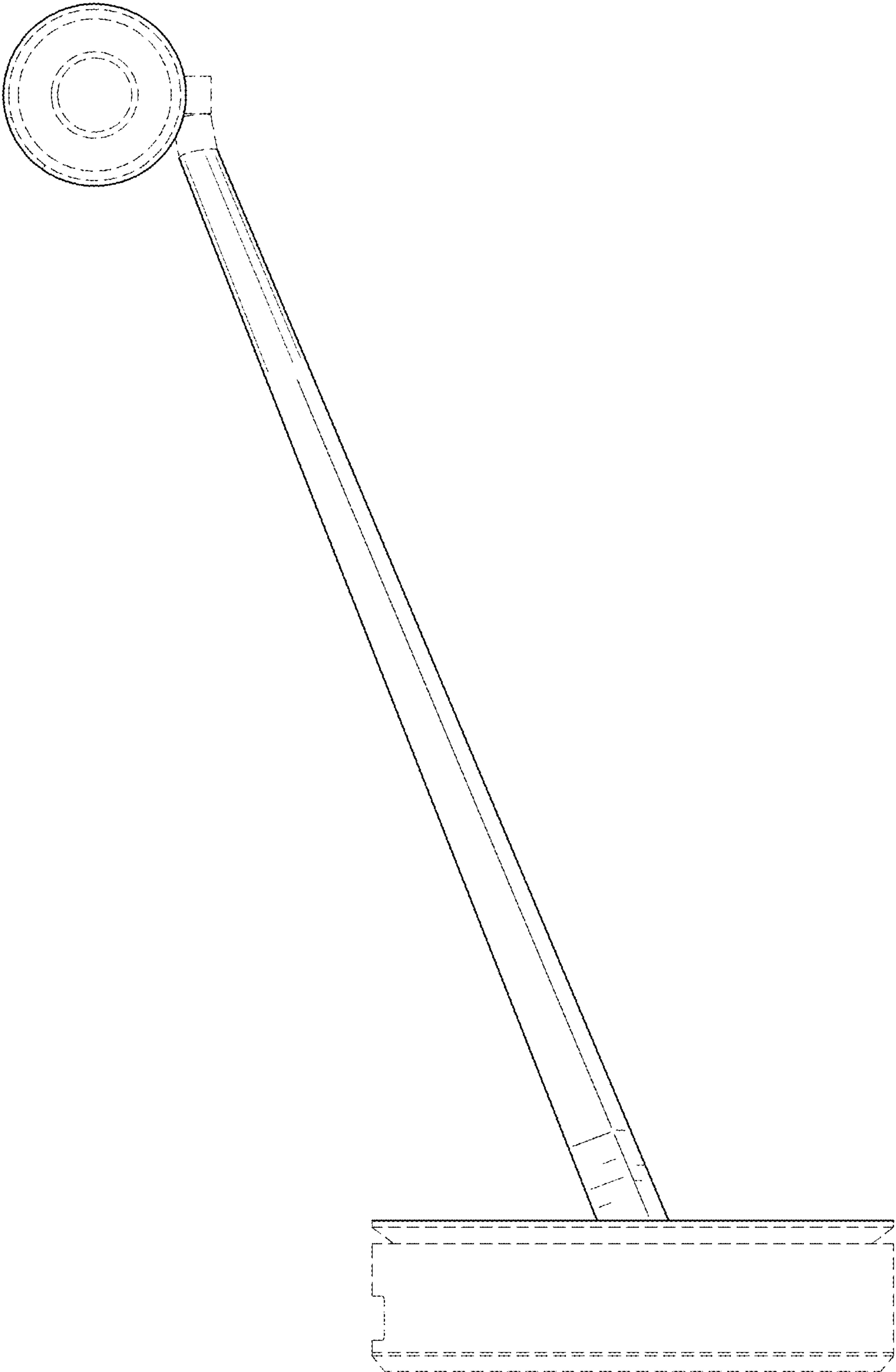


FIG. 5

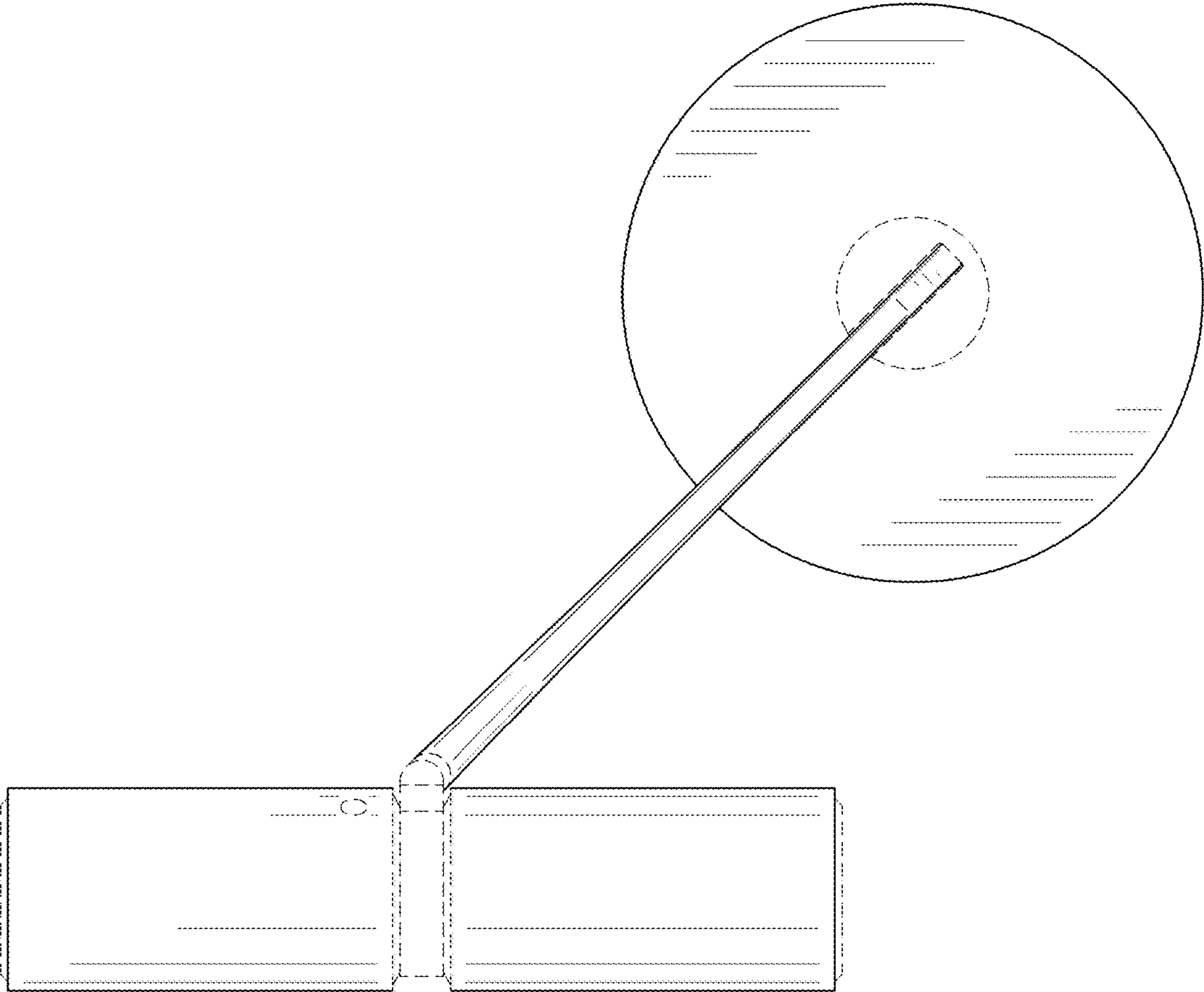


FIG. 6

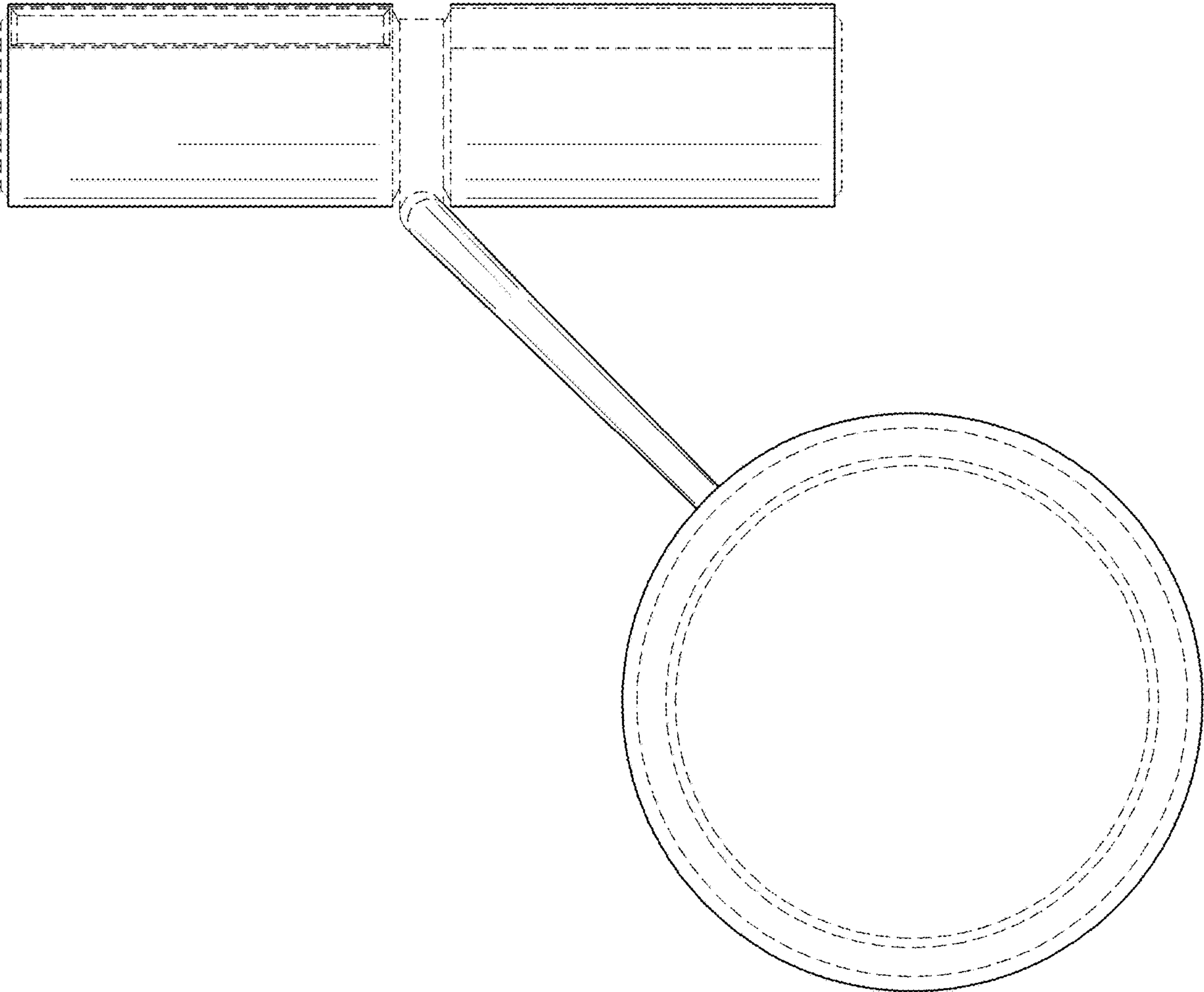


FIG. 7

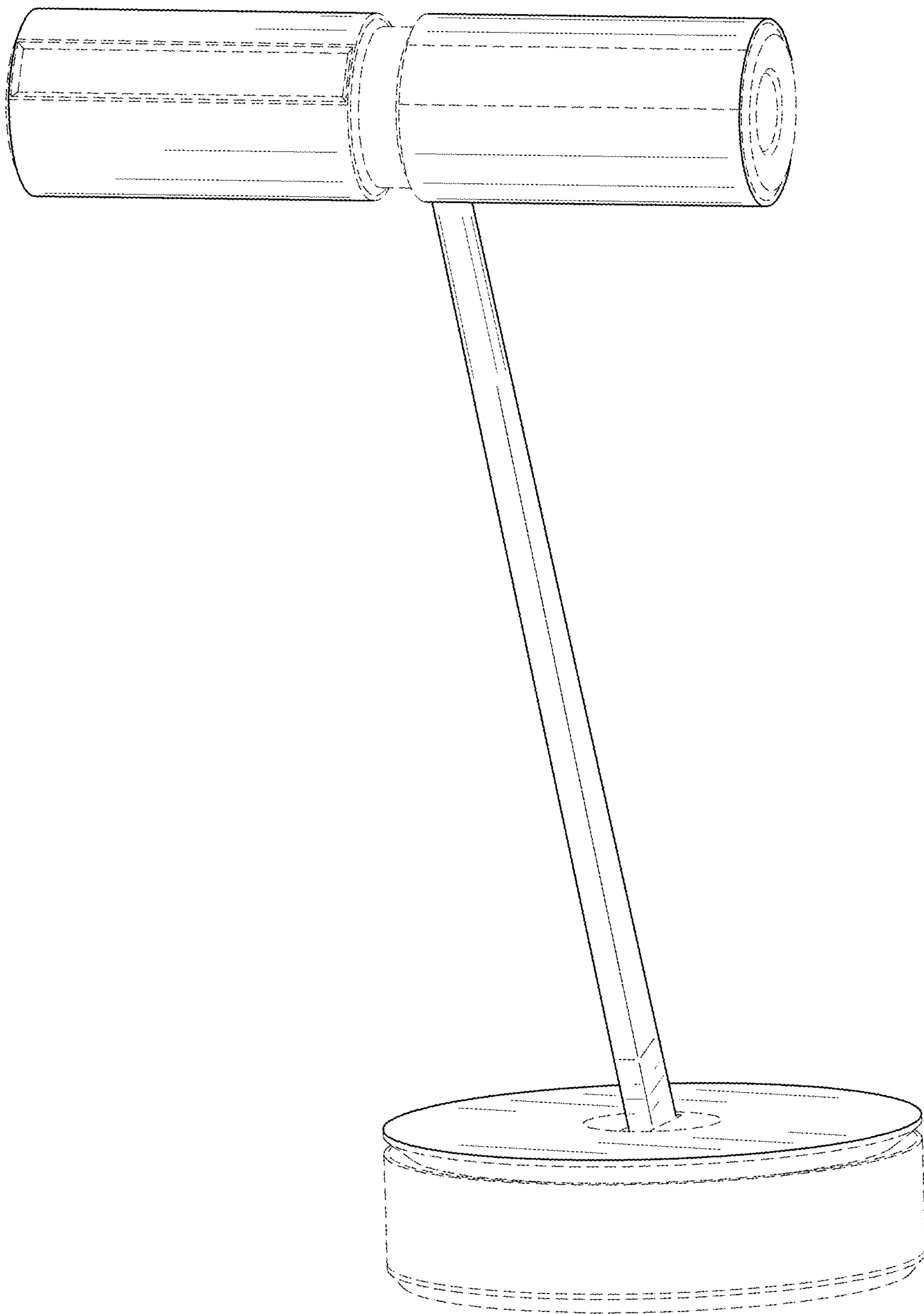


FIG. 8

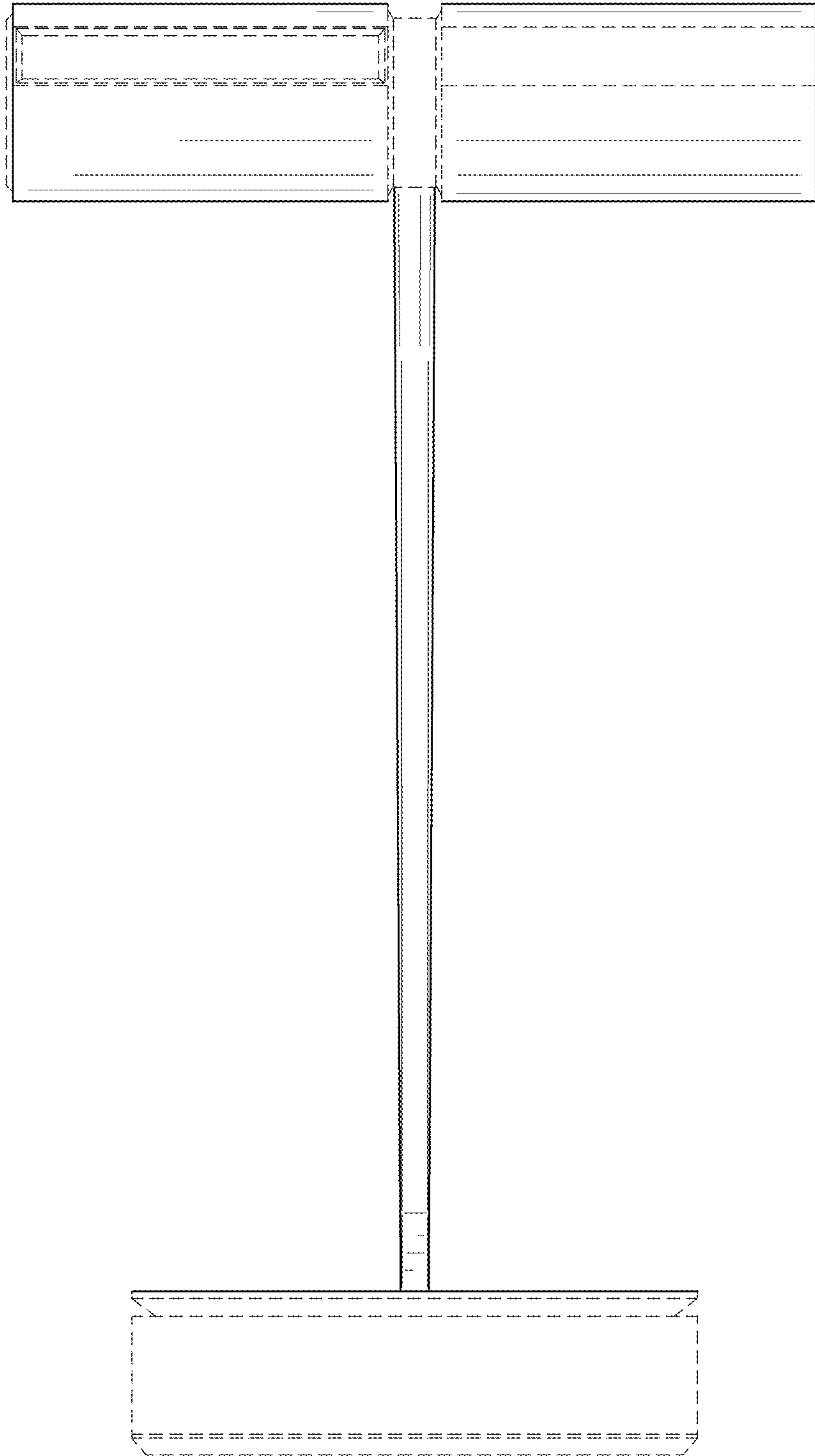


FIG. 9

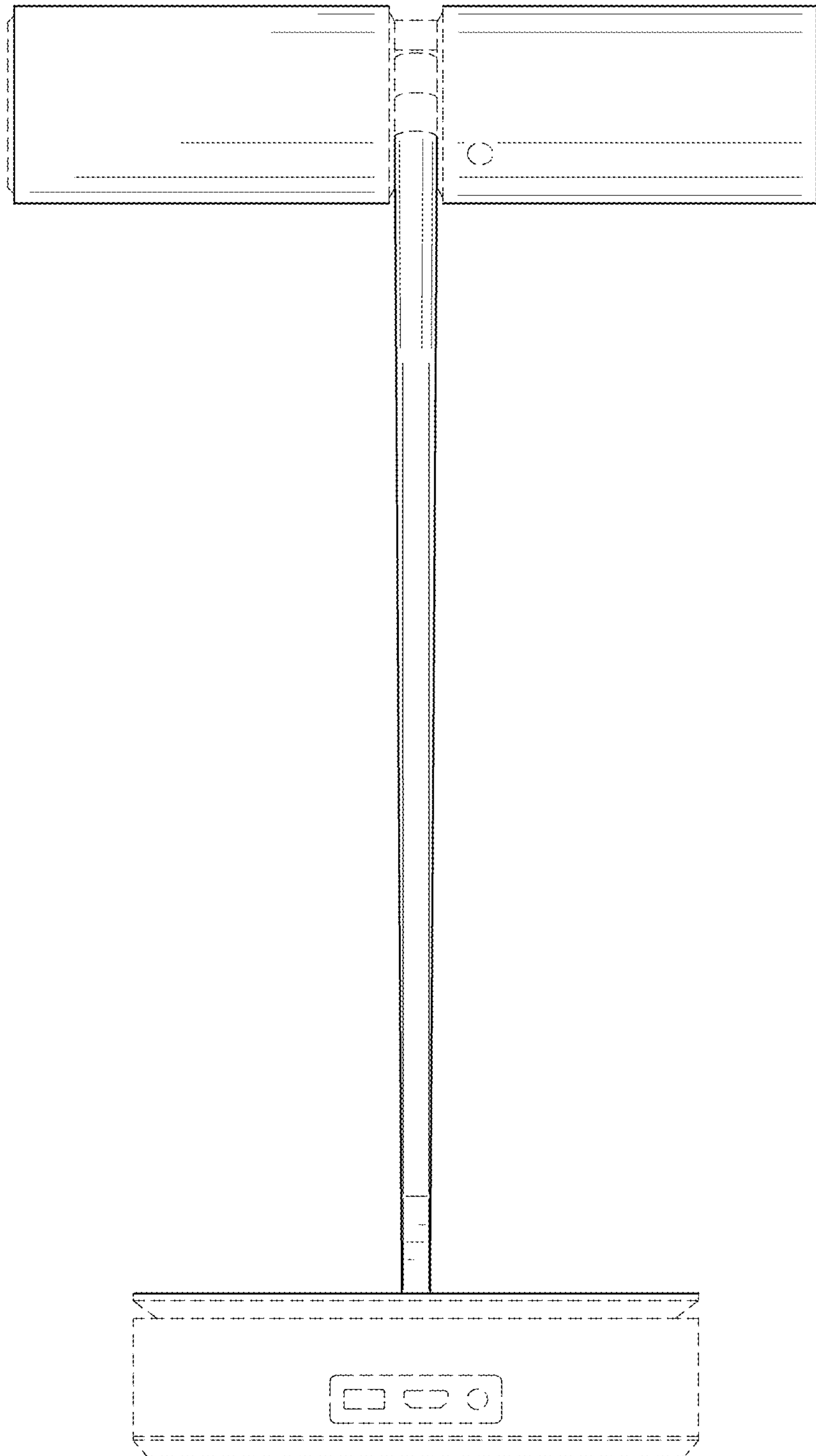


FIG. 10

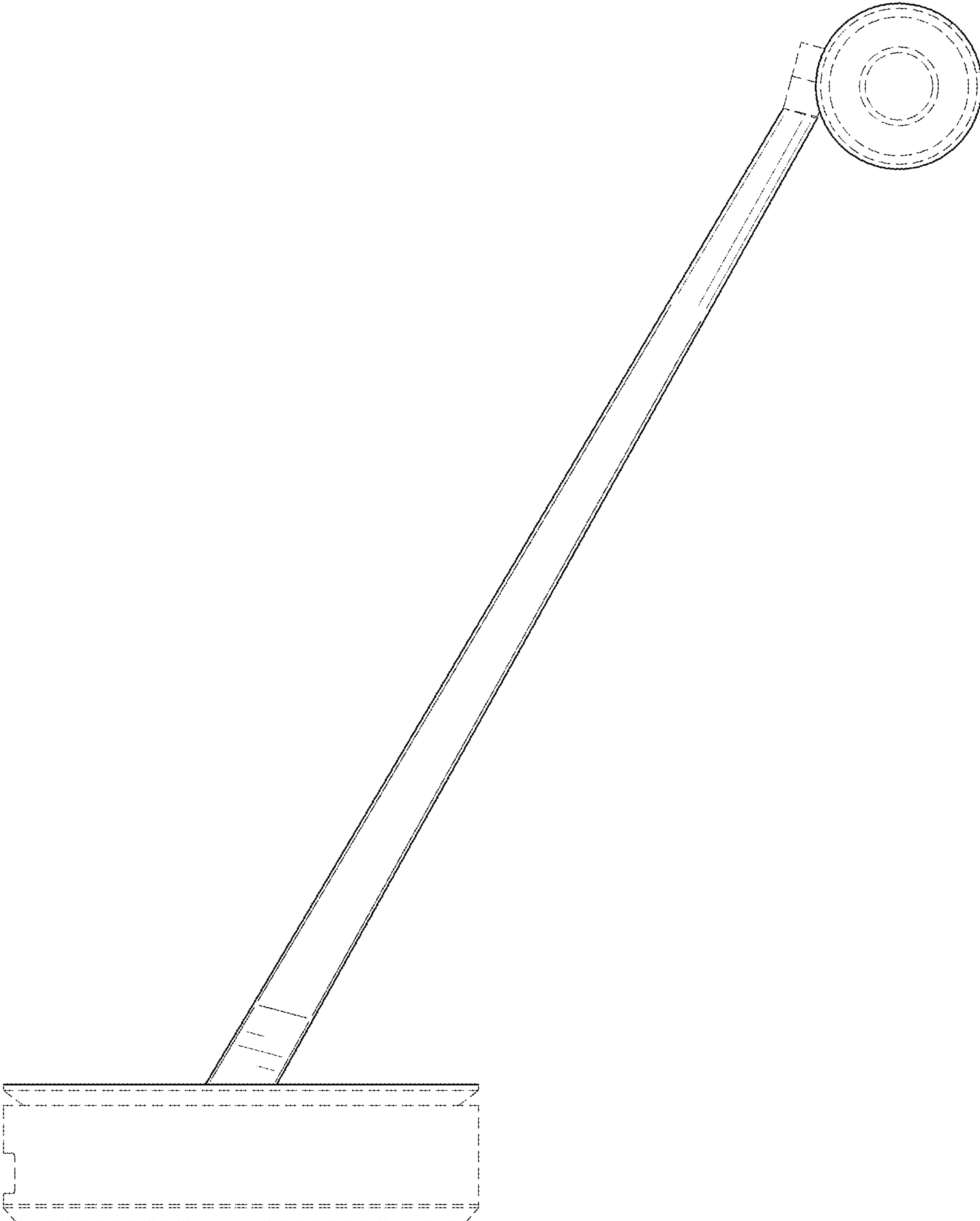


FIG. 11

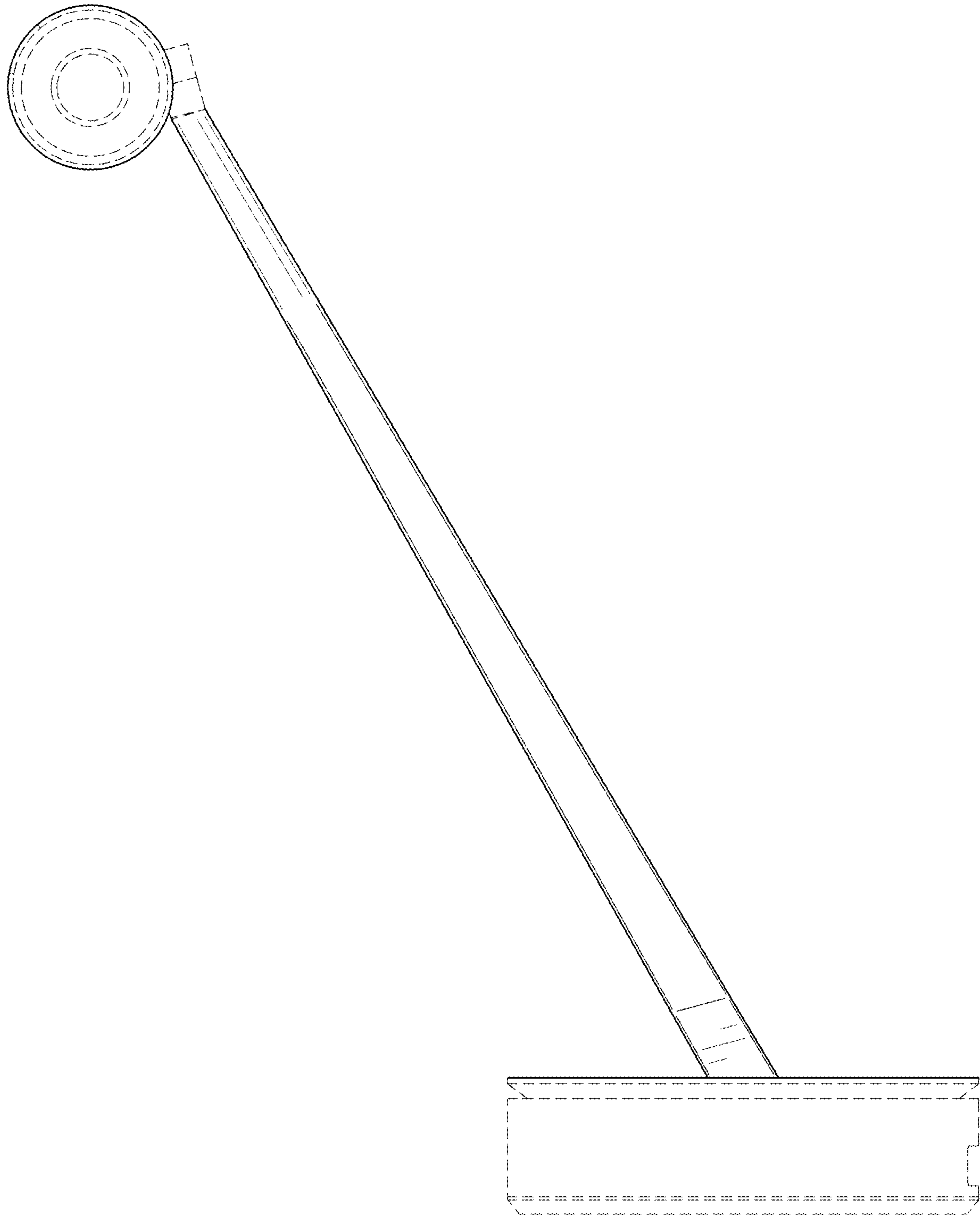


FIG. 12

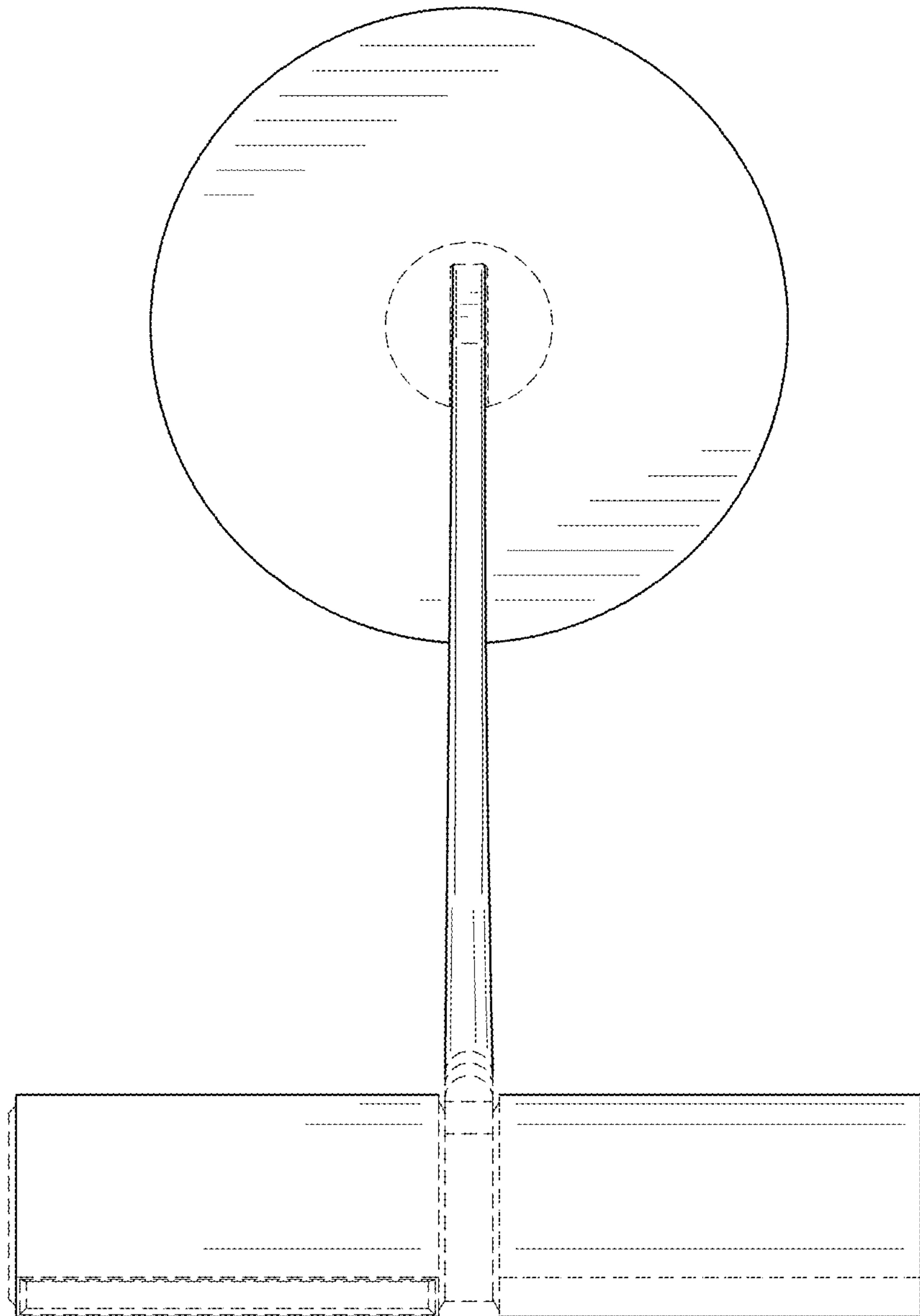


FIG. 13

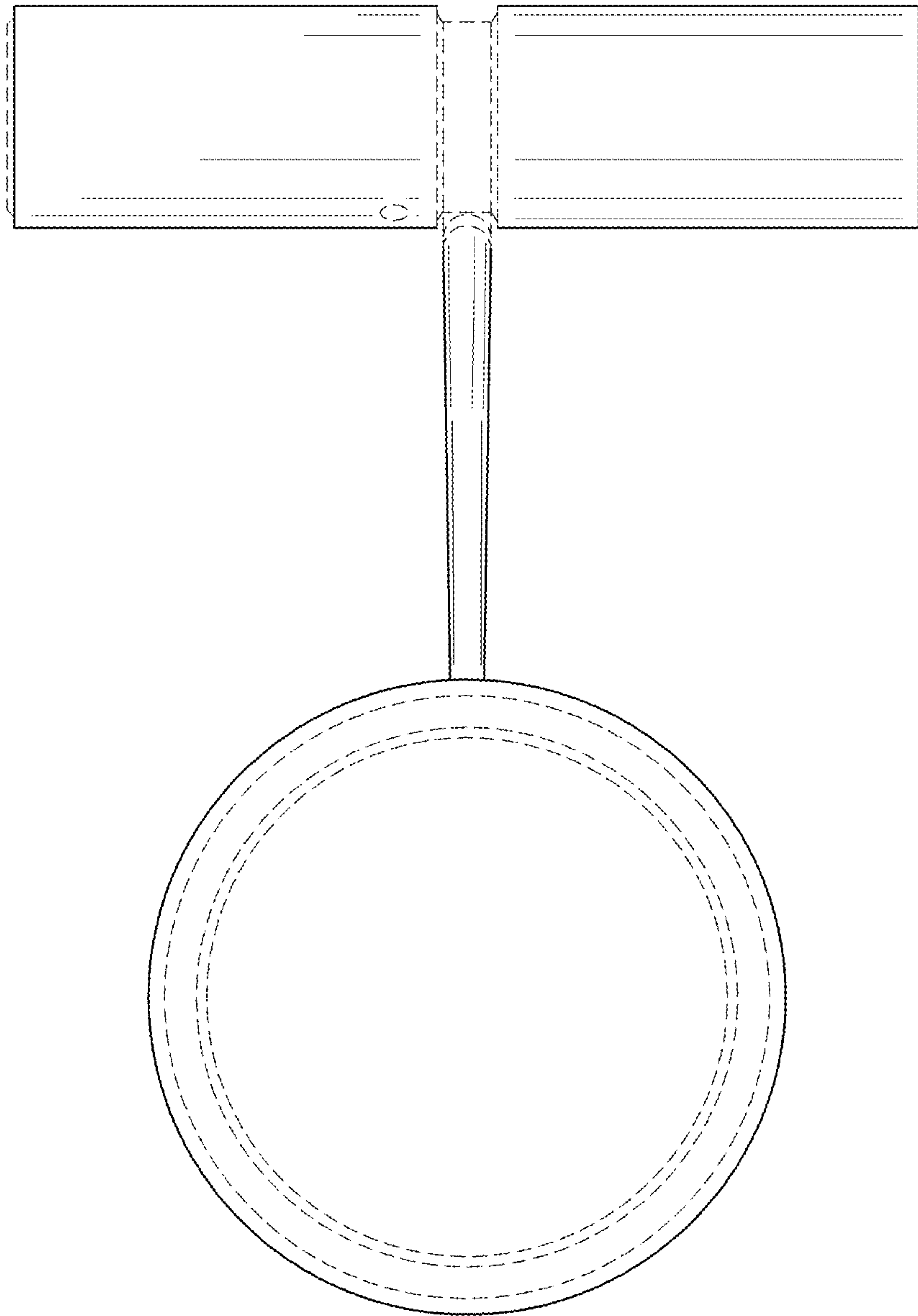


FIG. 14