



US00D880562S

(12) **United States Design Patent**
Fujita et al.

(10) **Patent No.:** **US D880,562 S**

(45) **Date of Patent:** **** Apr. 7, 2020**

(54) **DIGITAL CAMERA**

(71) Applicant: **Nikon Corporation**, Tokyo (JP)

(72) Inventors: **Chikara Fujita**, Tokyo (JP); **Hiroyuki Asano**, Tokyo (JP)

(73) Assignee: **Nikon Corporation**, Tokyo (JP)

(**) Term: **15 Years**

(21) Appl. No.: **29/633,421**

(22) Filed: **Jan. 13, 2018**

Related U.S. Application Data

(63) Continuation of application No. 29/569,142, filed on Jun. 23, 2016, now Pat. No. Des. 820,898.

(30) **Foreign Application Priority Data**

Dec. 25, 2015 (JP) 2015-029004
Dec. 25, 2015 (JP) 2015-029005
Dec. 25, 2015 (JP) 2015-029006

(51) **LOC (12) Cl.** **16-05**

(52) **U.S. Cl.**
USPC **D16/219**

(58) **Field of Classification Search**
USPC D16/200, 202–206, 208, 218, 219;
348/373–376; 396/535, 539–541
CPC G03B 15/03; G03B 17/02; G03B 17/04;
G03B 17/56; G03B 19/04; H04N 5/2251;
H04N 5/2252; H04N 5/2253; H04N
5/2254; H04N 2101/00
See application file for complete search history.

(56) **References Cited**

U.S. PATENT DOCUMENTS

D113,220 S 2/1939 Crumrine
D441,386 S 5/2001 Yamazaki
D480,741 S 10/2003 Berger et al.

6,718,129 B1 4/2004 Cornell
6,788,887 B2 9/2004 Takeshita et al.
D504,904 S 10/2005 Nagai
D524,837 S 7/2006 Chen et al.
D551,275 S 9/2007 Kim

(Continued)

FOREIGN PATENT DOCUMENTS

JP 1088744 S 10/2000
JP 1088745 S 10/2000

(Continued)

OTHER PUBLICATIONS

Notice of Allowance for U.S. Appl. No. 29/569,139, dated Feb. 28, 2017.

(Continued)

Primary Examiner — Ramzi S Almatrahi
(74) *Attorney, Agent, or Firm* — Wolf, Greenfield & Sacks, P.C.

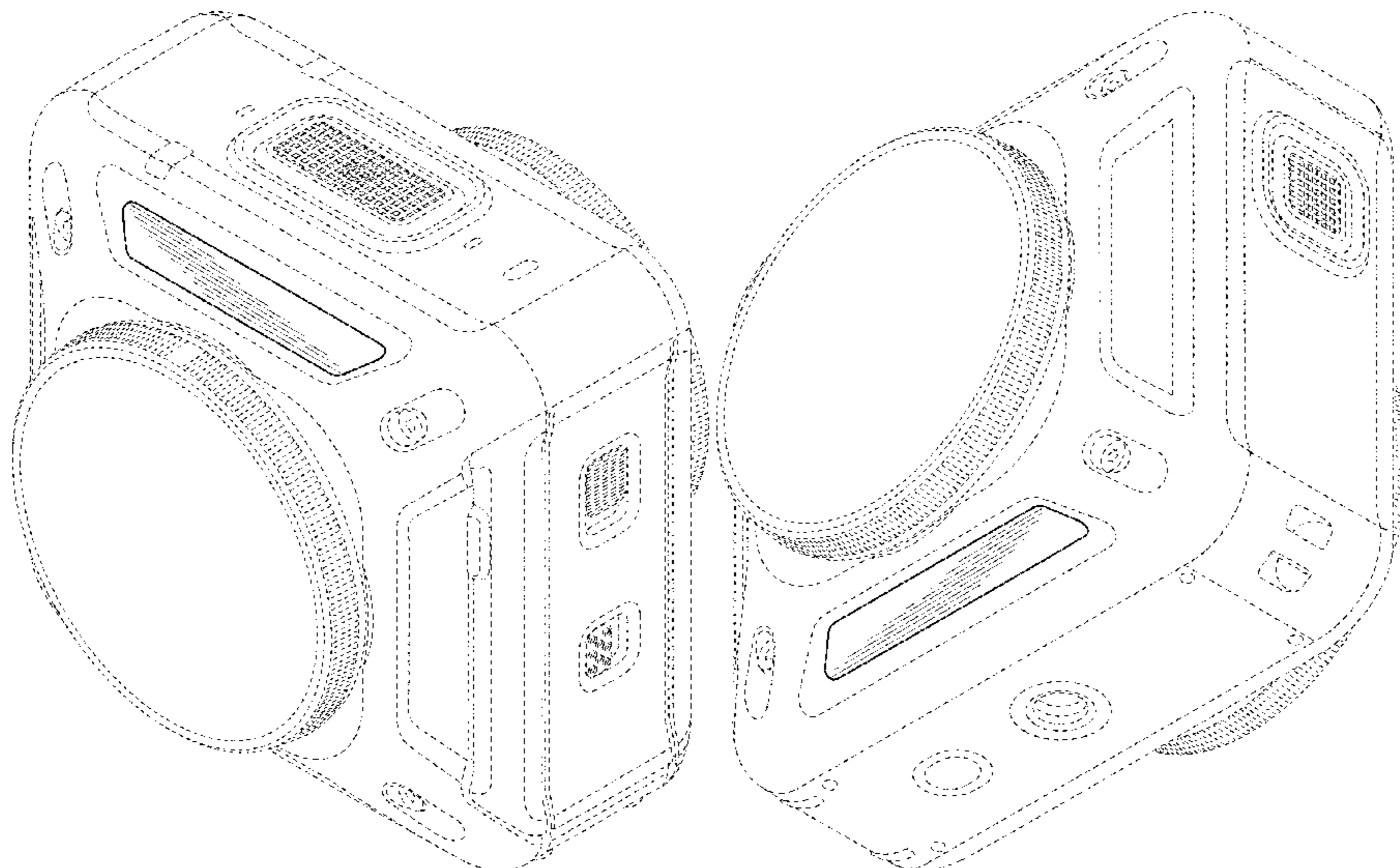
(57) **CLAIM**

The ornamental design for a digital camera, as shown and described.

DESCRIPTION

FIG. 1 is a front, top and right side perspective view of a digital camera showing our new design;
FIG. 2 is a rear, bottom and left side perspective view thereof;
FIG. 3 is a front elevational view thereof;
FIG. 4 is a rear elevational view thereof;
FIG. 5 is a top plan view thereof;
FIG. 6 is a bottom plan view thereof;
FIG. 7 is a right side elevational view thereof; and,
FIG. 8 is a left side elevational view thereof.
The broken lines illustrate portions of the digital camera and form no part of the claimed design.

1 Claim, 8 Drawing Sheets



(56)

References Cited

U.S. PATENT DOCUMENTS

D594,047 S 6/2009 Lee
 D614,223 S 4/2010 Kim et al.
 D616,480 S 5/2010 Ookawa et al.
 D674,832 S 1/2013 Zhang
 D687,875 S 8/2013 Sasaki
 D721,395 S 1/2015 Woodman et al.
 D744,572 S 1/2015 Tabuchi
 D725,169 S 3/2015 Gioscia et al.
 D727,991 S 4/2015 Hasegawa et al.
 D733,784 S 7/2015 Yamashita
 D737,356 S 8/2015 Tabuchi
 D750,686 S 3/2016 Chen et al.
 9,282,226 B2 3/2016 Samuels et al.
 D754,767 S 4/2016 Sandy
 D754,768 S 4/2016 Patulski et al.
 D755,270 S 5/2016 Vehlewald et al.
 D755,874 S 5/2016 Yang
 D756,436 S 5/2016 Ku
 D758,467 S 6/2016 Zhang
 D760,309 S 6/2016 Parfitt et al.
 D769,346 S 10/2016 Nguyen et al.
 D773,546 S 12/2016 Nguyen et al.
 D776,741 S 1/2017 Parfitt et al.
 D777,232 S 1/2017 Lillquist et al.
 D789,435 S 6/2017 Nguyen et al.
 D791,211 S 7/2017 Fujita et al.
 D791,848 S 7/2017 Zhu et al.
 D794,696 S 8/2017 Nguyen et al.
 D800,202 S 10/2017 Hu
 D803,925 S 11/2017 Hoshi et al.
 D804,560 S 12/2017 Costa et al.
 D805,117 S 12/2017 Nguyen et al.
 D806,775 S 1/2018 Nguyen et al.
 D808,163 S 1/2018 Song
 D818,029 S * 5/2018 Fujita D16/218

D825,636 S * 8/2018 Hueber D16/202
 D829,260 S * 9/2018 Fujita D16/218
 D850,513 S * 6/2019 Gan D16/218
 D852,255 S * 6/2019 Guo D16/202
 D861,764 S * 10/2019 Zhao D16/218
 D865,843 S * 11/2019 Hu D16/218
 2011/0216195 A1 9/2011 Tanaka et al.

FOREIGN PATENT DOCUMENTS

JP 1088746 S 10/2000
 JP 1480863 S 7/2013
 JP 1496295 S 12/2014

OTHER PUBLICATIONS

[No Author Listed] Hands-On With Bublcam’s Spherical Video Camera. Posted Aug. 26, 2014. AOL Inc. Accessed online: <http://techcrunch.com/2014/08/26/hands-on-with-bublcams-spherical-video-camera>. Last accessed: Jun. 14, 2016, pp. 1-6.
 [No Author Listed] Exclusive sales of Kodak brand camera in Japan—Release of ‘360-degree action camera’. Posted Oct. 23, 2014. MASPRO DENKOH CORP. Accessed online http://www.maspro.co.jp/new_prod/sp360/index.html. Last accessed: Jun. 14, 2016, pp. 1-5.
 [No Author Listed] New release super-wide angle video camera, QBiC MS-1 of ELMO Co., Ltd. Posted Feb. 12, 2014. AOL Online Japan, Ltd. Accessed online: <http://japanese.engadget.com/2014/02/12/qbic-ms-1>. Last accessed: Jun. 14, 2016, pp. 1-7.
 Office Action for U.S. Appl. No. 29/610,813, dated Jan. 11, 2018.
 U.S. Appl. No. 29/569,142, filed June 23, 2016, Fujita et al.
 U.S. Appl. No. 29/569,139, Feb. 28, 2017, Notice of Allowance.
 Notice of Allowance for U.S. Appl. No. 29/633,419, dated Jul. 18, 2018.

* cited by examiner

FIG. 1

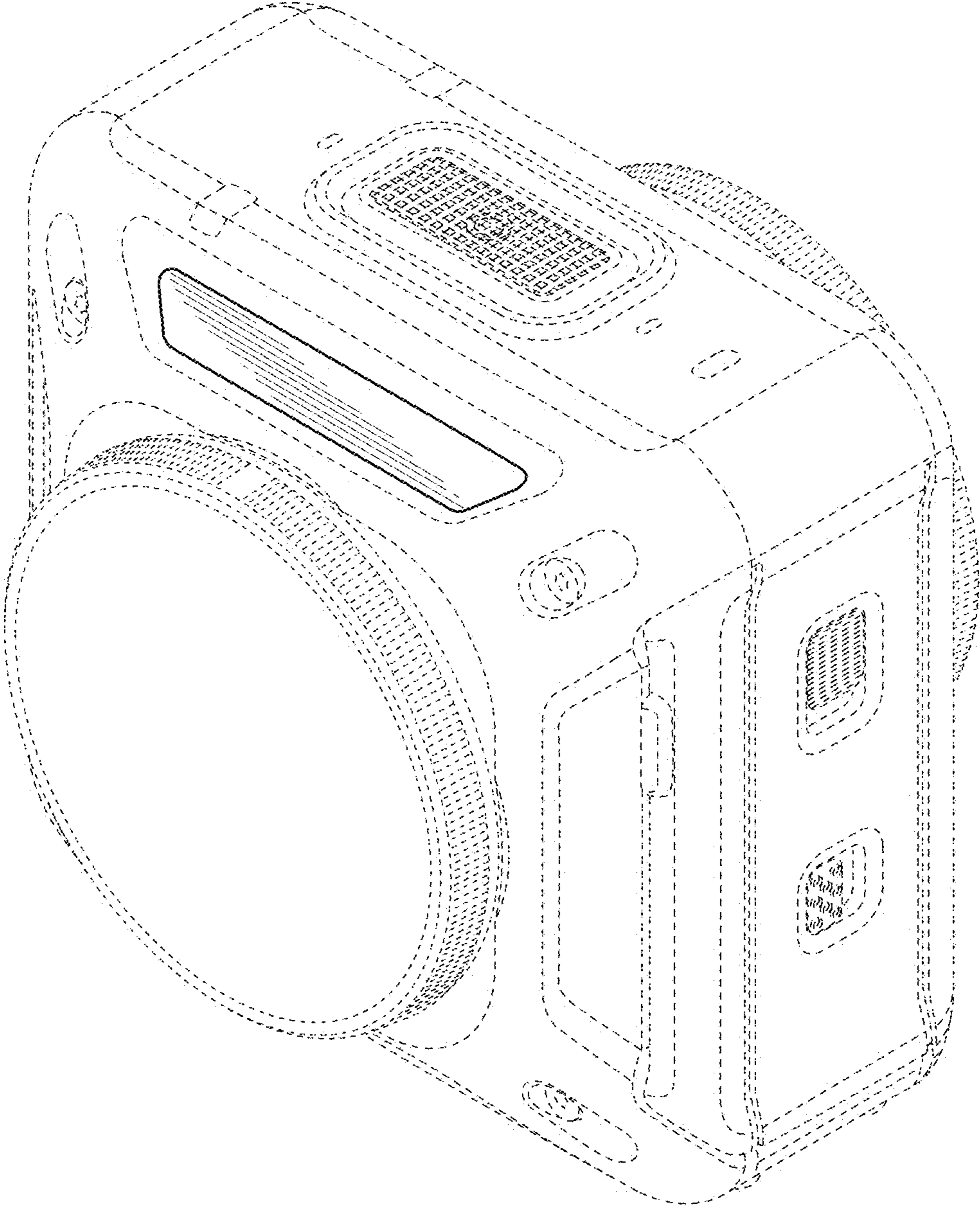


FIG. 2

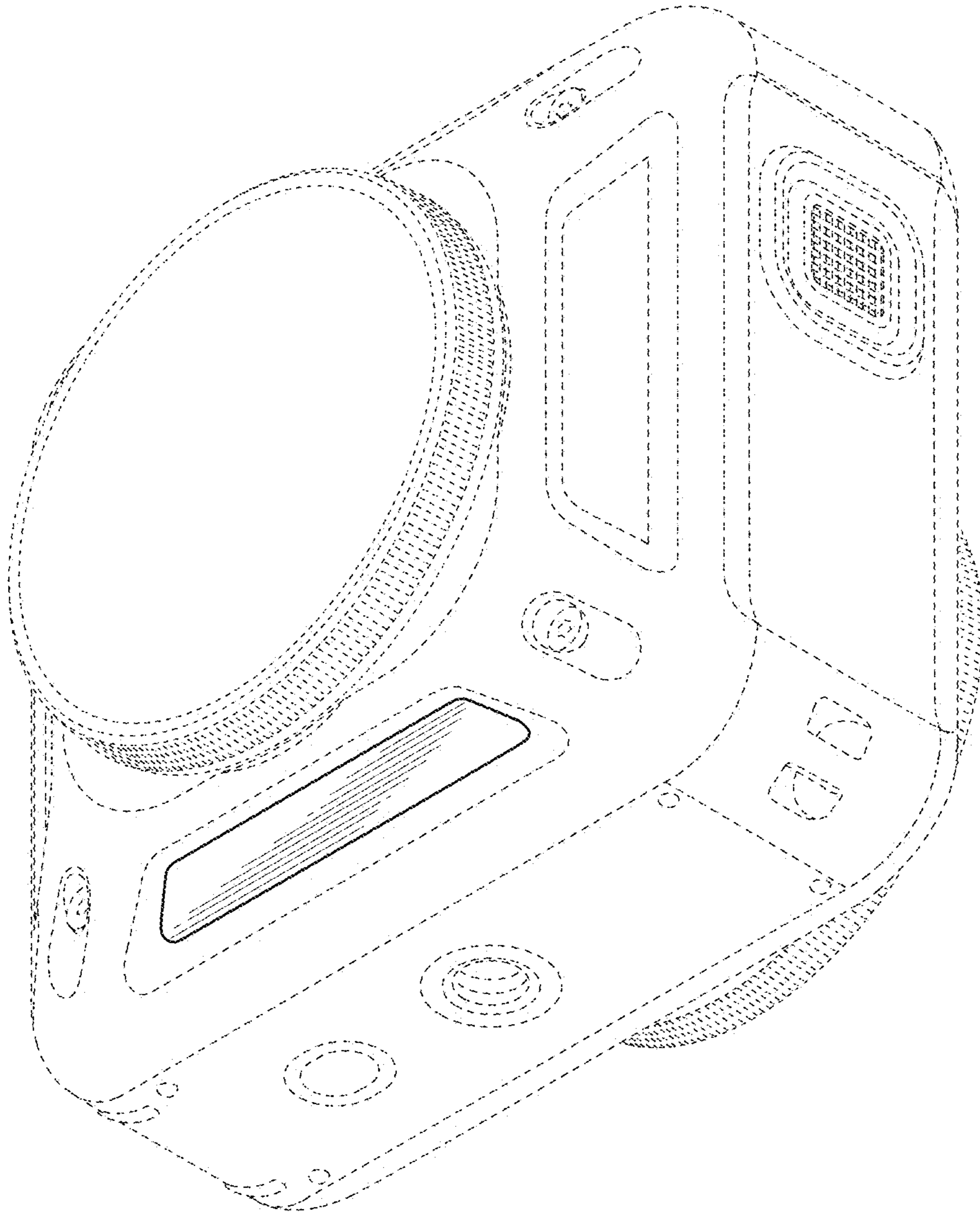


FIG. 3

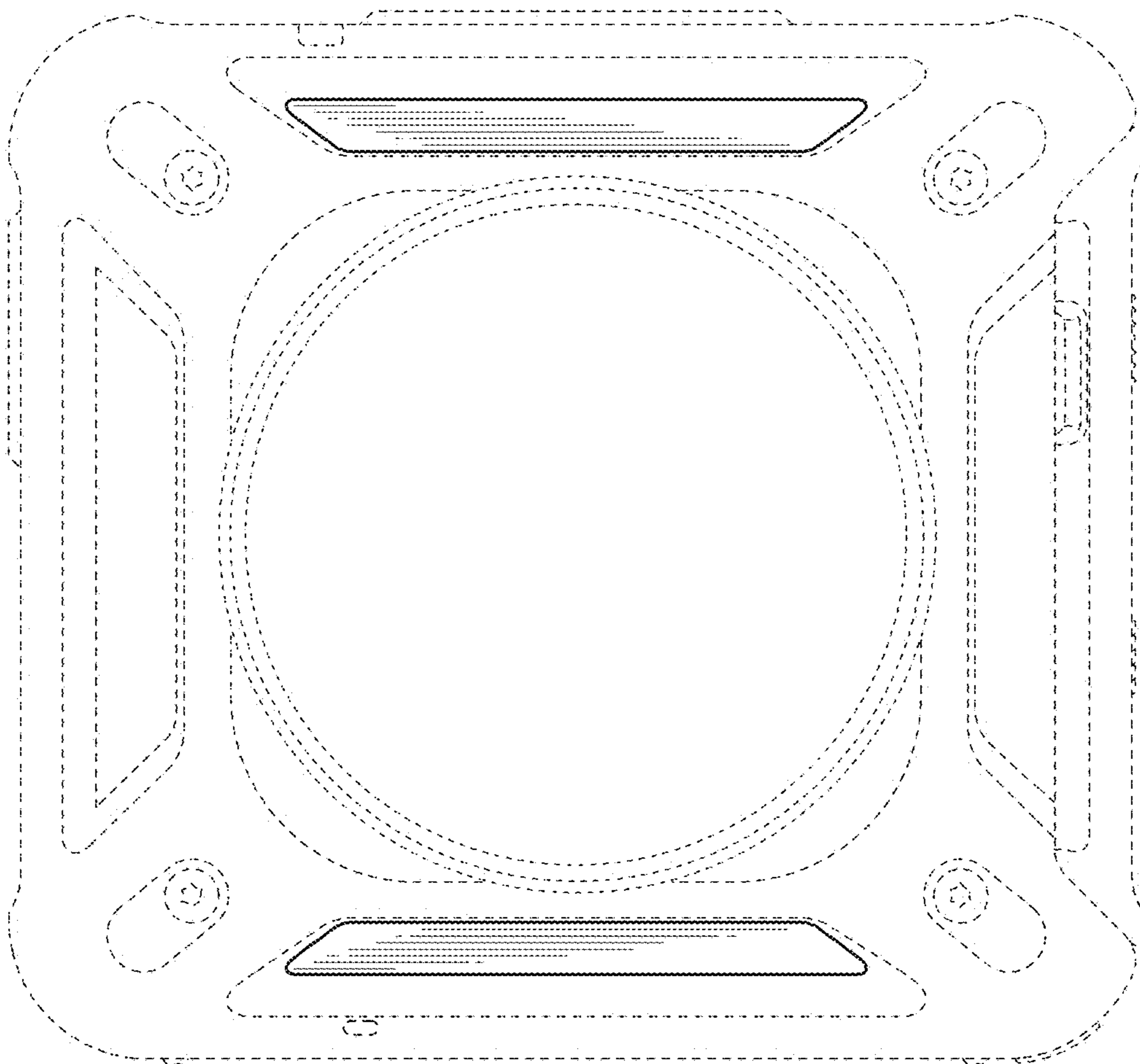


FIG. 4

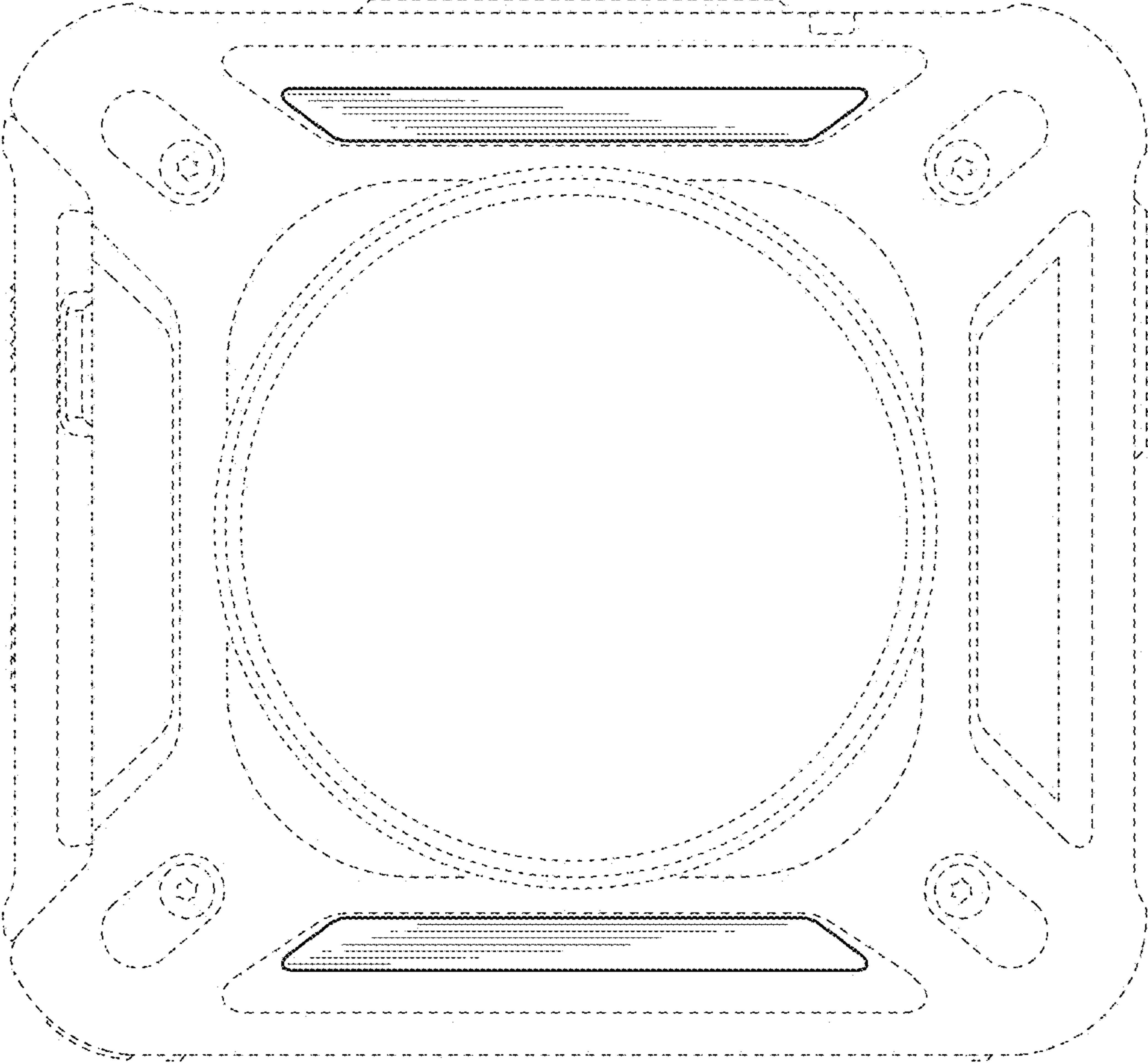


FIG. 5

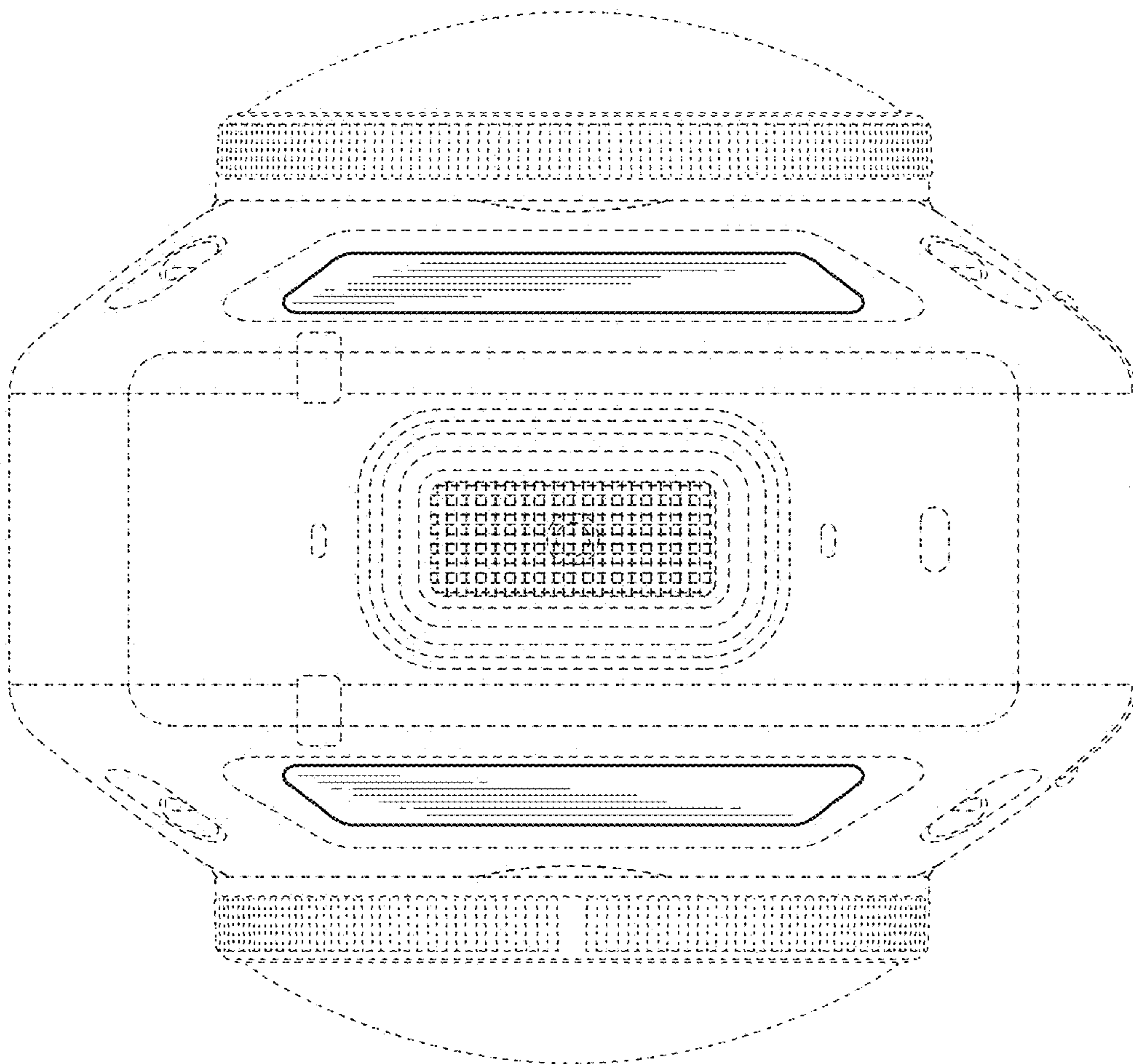


FIG. 6

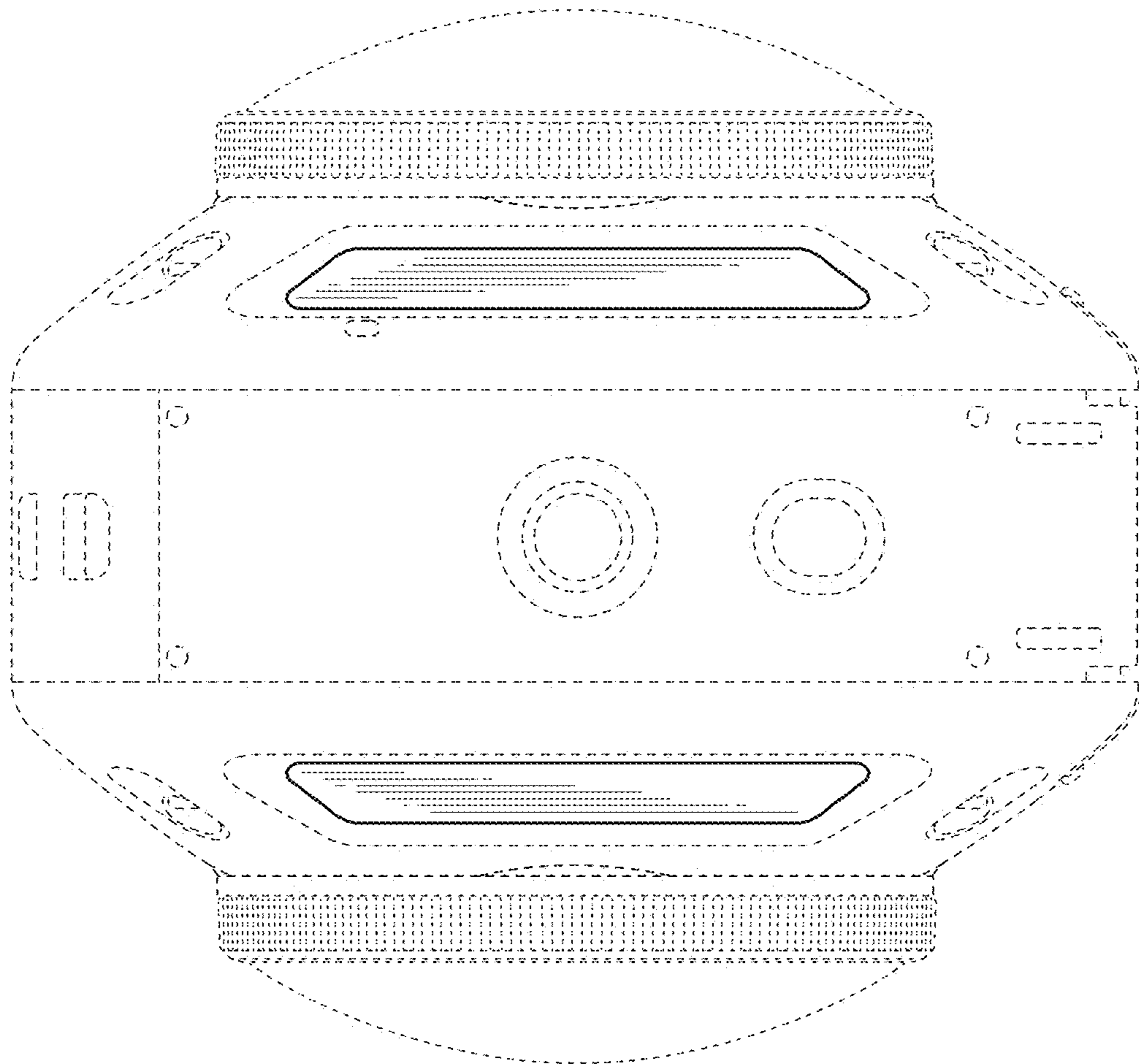


FIG. 7

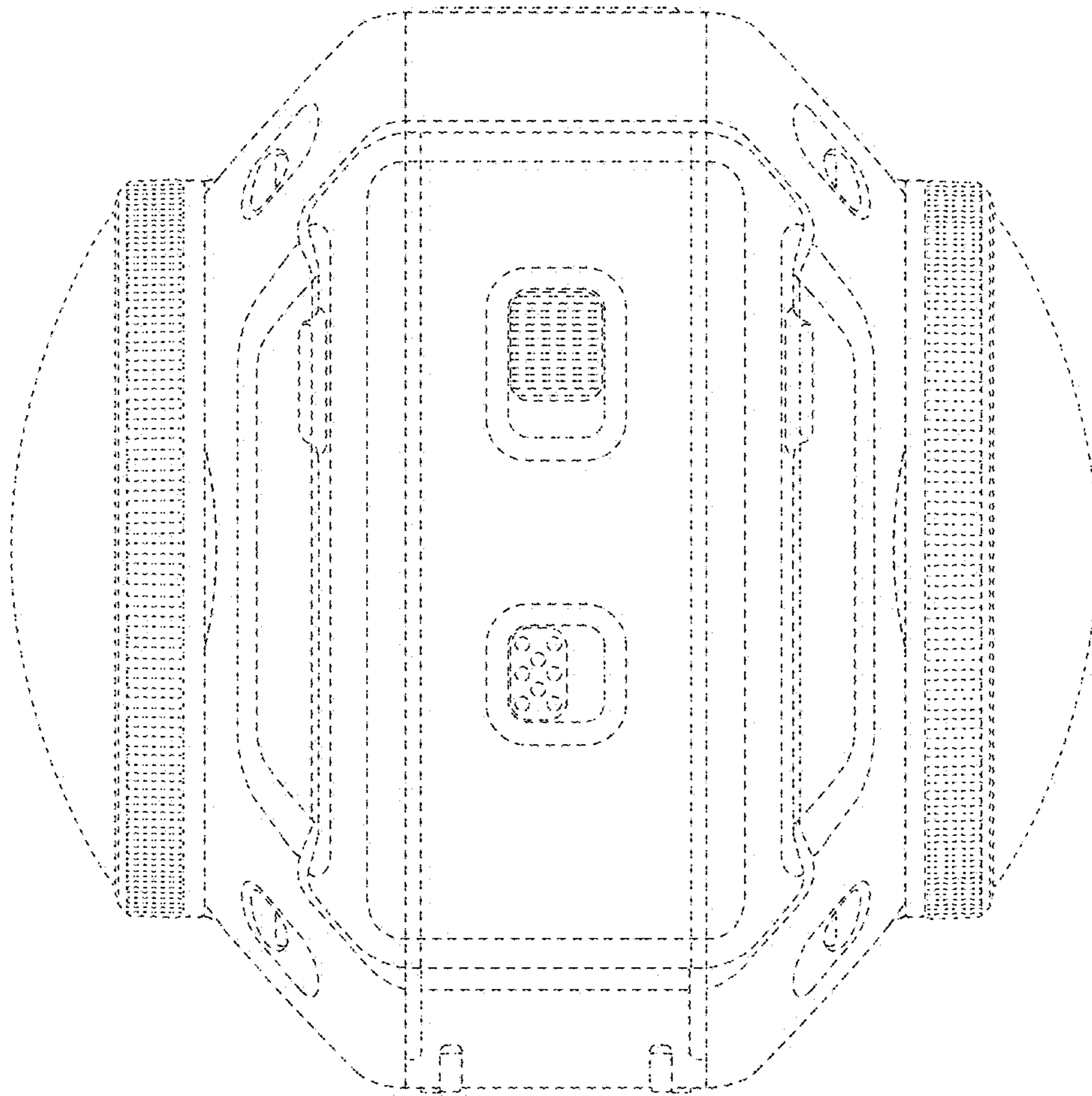


FIG. 8

