



US00D880561S

(12) **United States Design Patent** (10) **Patent No.:** **US D880,561 S**
Muhlenkamp, IV et al. (45) **Date of Patent:** **** Apr. 7, 2020**

(54) **MULTI-LENS CAMERA**

(56) **References Cited**

(71) Applicant: **GoPro, Inc.**, San Mateo, CA (US)

U.S. PATENT DOCUMENTS

(72) Inventors: **John George Muhlenkamp, IV**,
Brisbane, CA (US); **Huy Phuong**
Nguyen, San Mateo, CA (US)

D480,741 S 10/2003 Berger
6,718,129 B1 4/2004 Cornell
D496,674 S 9/2004 Hayashi
D531,199 S 10/2006 Matsuda
D594,047 S 6/2009 Lee
D676,476 S 2/2013 Ishikura
D692,042 S 10/2013 Dawes
D692,939 S 11/2013 Huang
D725,691 S 3/2015 De Rosa
D744,572 S 12/2015 Tabuchi
D754,769 S 4/2016 Wilson
D755,271 S 5/2016 Patulski
D755,274 S 5/2016 Lee
D764,559 S 8/2016 Luo
D791,211 S 7/2017 Fujita
D794,695 S 8/2017 Zhang
D814,543 S 4/2018 Oshima
D818,025 S 5/2018 Wong
D818,029 S 5/2018 Asano

(73) Assignee: **GoPro, Inc.**, San Mateo, CA (US)

(**) Term: **15 Years**

(21) Appl. No.: **29/711,372**

(22) Filed: **Oct. 30, 2019**

Related U.S. Application Data

(63) Continuation of application No. 29/699,947, filed on Jul. 30, 2019, now Pat. No. Des. 868,874, which is a continuation of application No. 29/665,724, filed on Oct. 5, 2018, now Pat. No. Des. 861,765, which is a continuation of application No. 29/549,344, filed on Dec. 21, 2015, now Pat. No. Des. 830,446, which is a continuation-in-part of application No. 29/548,661, filed on Dec. 15, 2015, now abandoned.

(Continued)

Primary Examiner — Ramzi S Almatrahi

(74) *Attorney, Agent, or Firm* — Young Basile Hanlon & MacFarlane, P.C.

(51) **LOC (12) Cl.** **16-01**

(52) **U.S. Cl.**
USPC **D16/218**

(58) **Field of Classification Search**
USPC D16/200, 202–207, 208–210, 212, 218,
D16/219; 348/373–376; 396/448, 535,
396/539–541
CPC G03B 15/03; G03B 17/02; G03B 17/04;
G03B 17/56; G03B 19/04; H04N 5/2251;
H04N 5/2252; H04N 5/2253; H04N
5/2254; H04N 2101/00

See application file for complete search history.

(57)

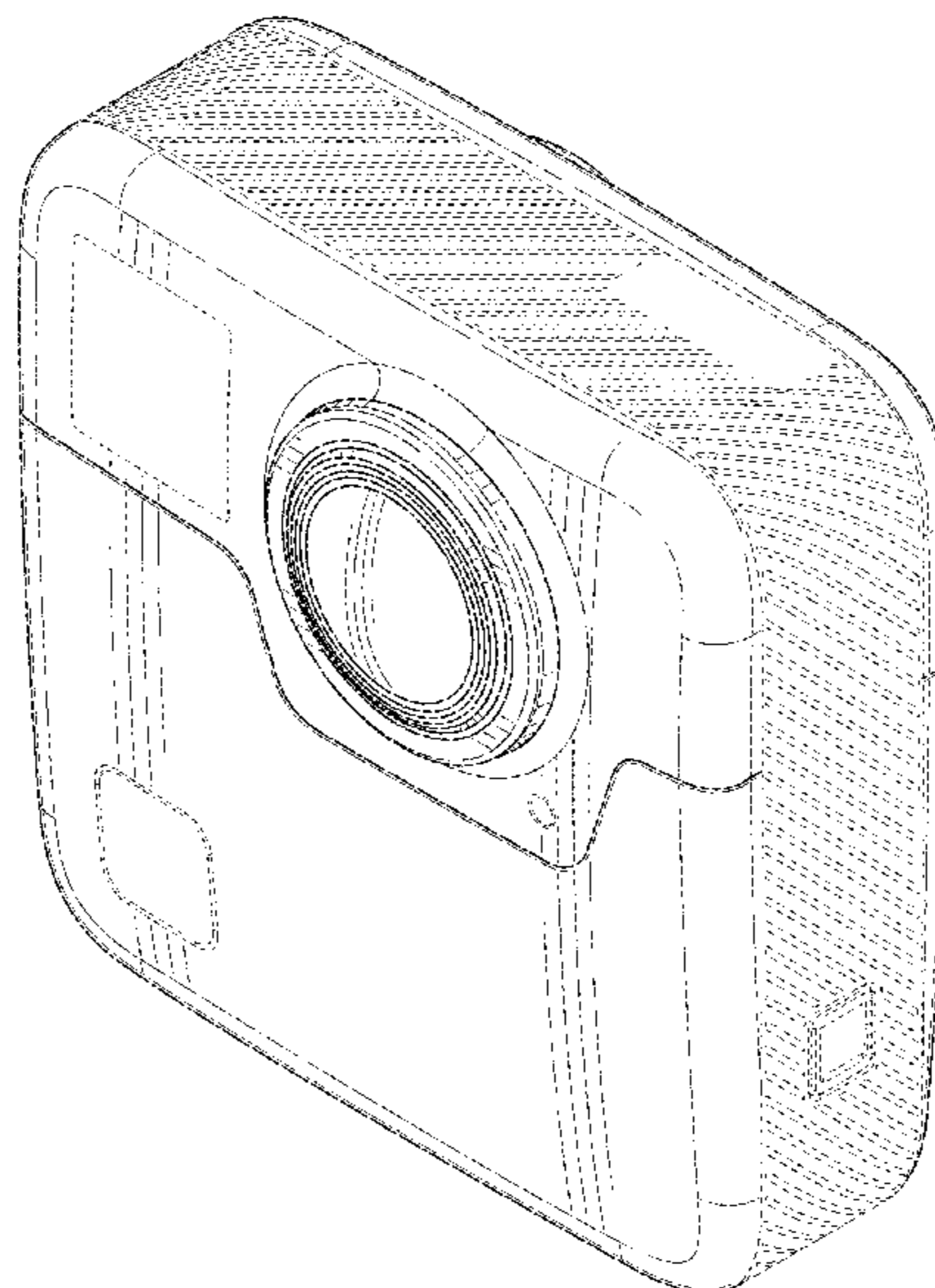
CLAIM

The ornamental design for a multi-lens camera, as shown and described.

DESCRIPTION

FIG. 1 is a top, front, and right side perspective view of a multi-lens camera showing our new design;
FIG. 2 is a front view thereof;
FIG. 3 is a rear view thereof;
FIG. 4 is a left view thereof;
FIG. 5 is a right view thereof;
FIG. 6 is a top view thereof; and,
FIG. 7 is a bottom view thereof.
The broken lines depict portions of the multi-lens camera in which the design is embodied that form no part of the claimed design.

1 Claim, 7 Drawing Sheets



(56)

References Cited

U.S. PATENT DOCUMENTS

D820,339	S	6/2018	Yau	
D820,898	S	6/2018	Asano	
D825,636	S	8/2018	Hueber	
D829,260	S	9/2018	Fujita	
D838,762	S	1/2019	Piekarski	
D839,945	S	2/2019	Lenz	
D848,509	S *	5/2019	Lee	D16/218
D849,076	S *	5/2019	Bertram	D16/202
D849,078	S *	5/2019	Girotti	D16/202
D859,498	S *	9/2019	Lin	D16/218
D865,844	S *	11/2019	Jalala	D16/218
D865,845	S *	11/2019	Sakai	D16/218
D867,427	S *	11/2019	Bai	D16/210
2014/0160349	A1	6/2014	Huang	

* cited by examiner

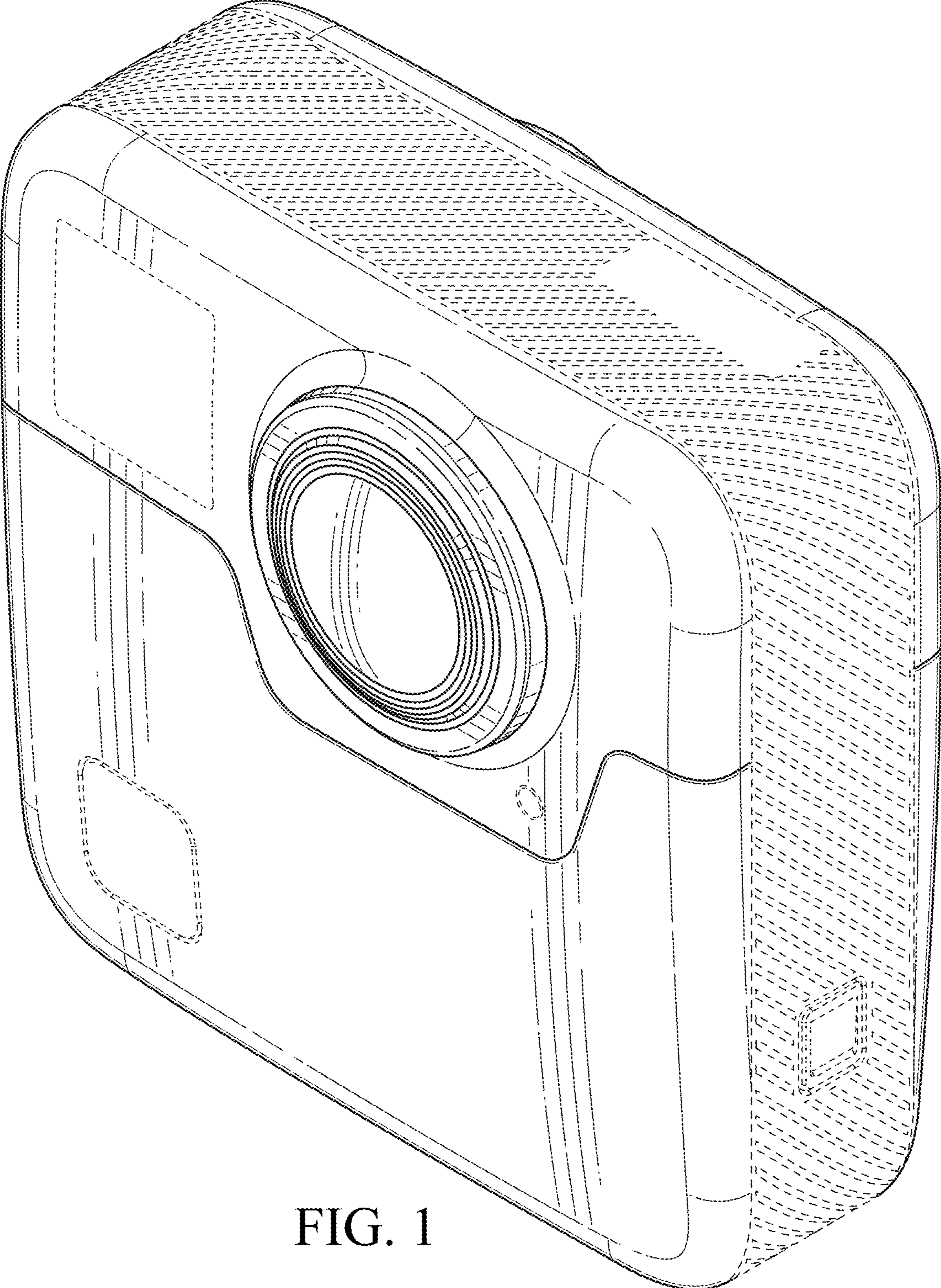


FIG. 1

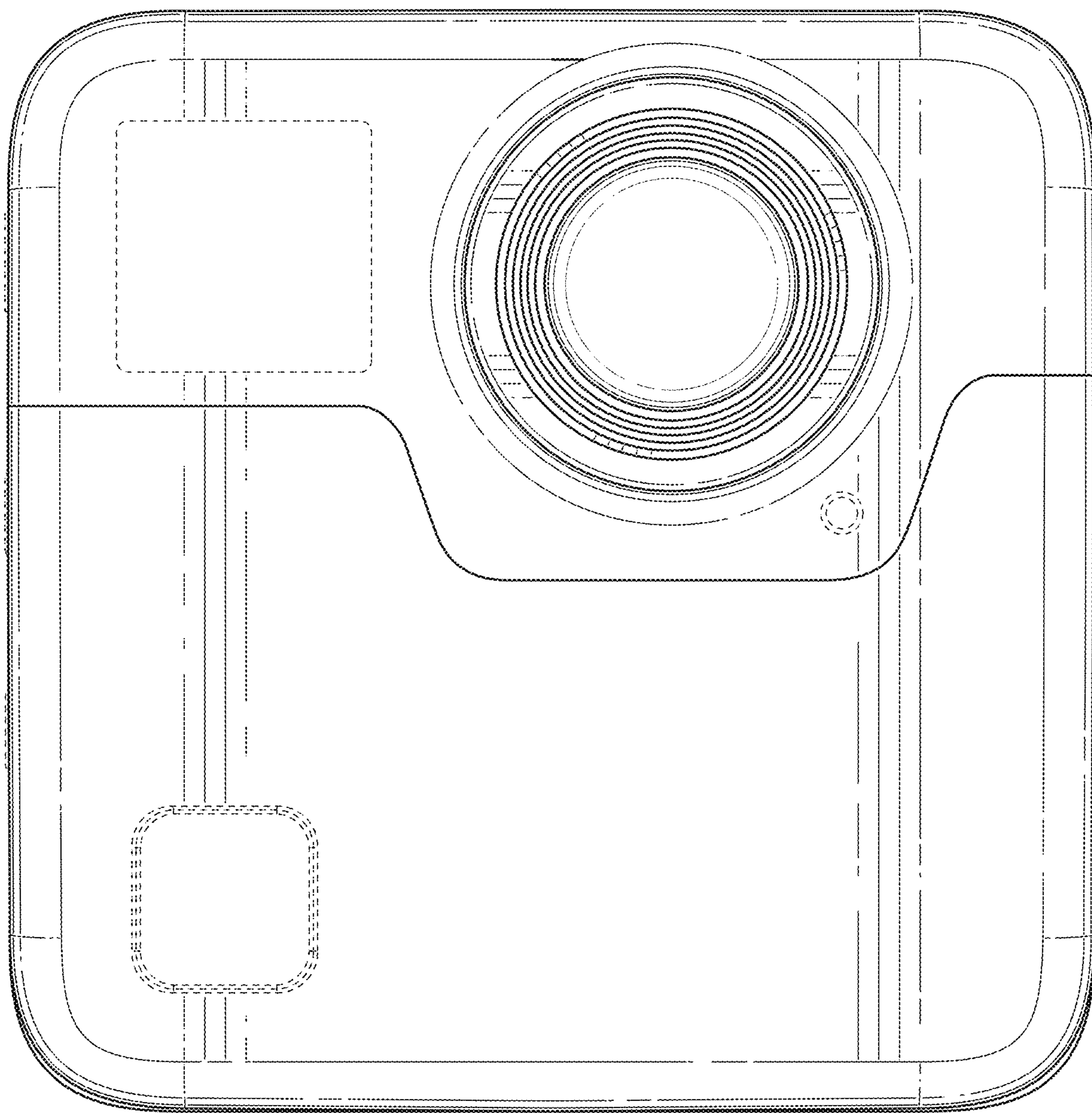


FIG. 2

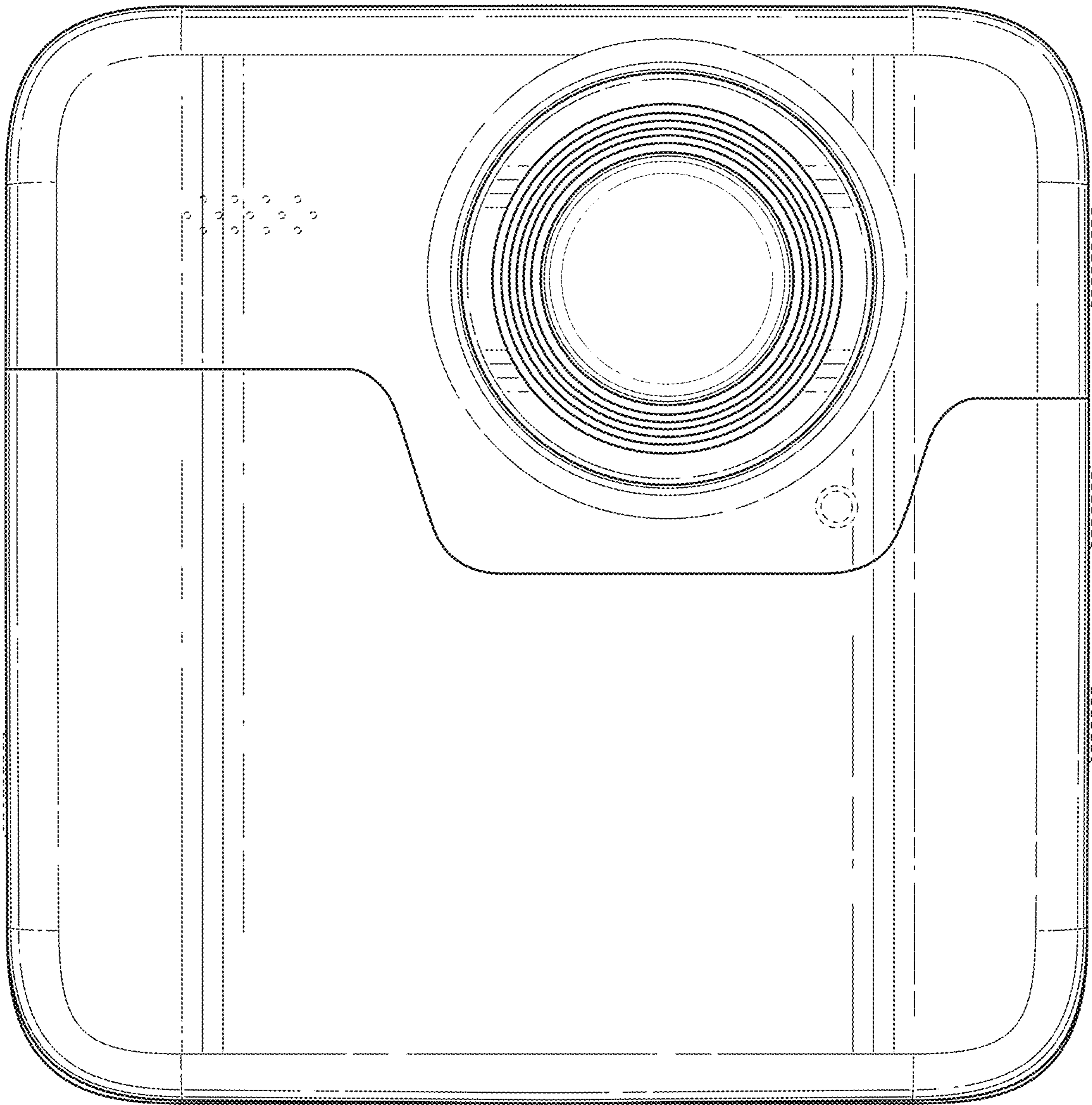


FIG. 3

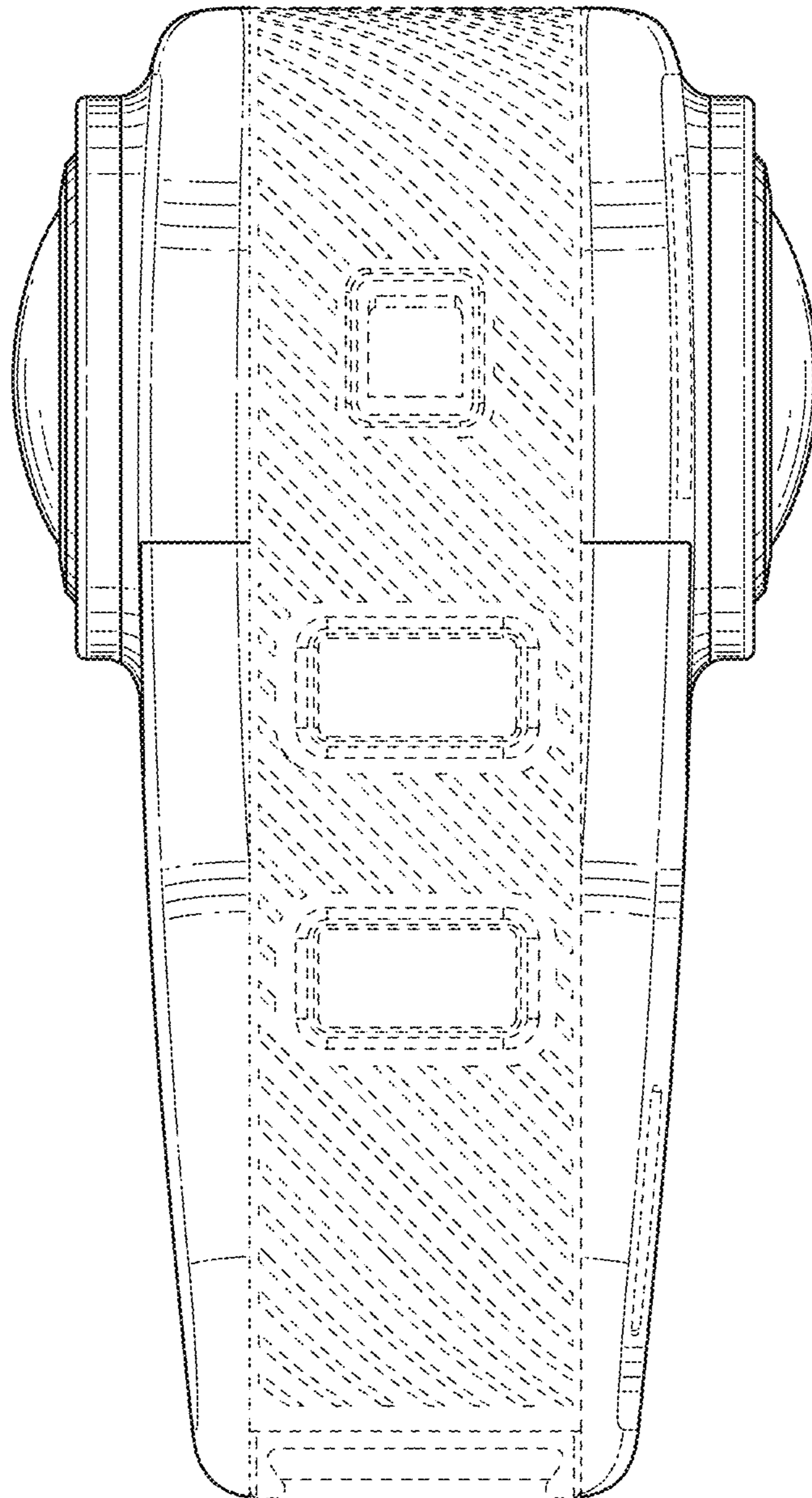


FIG. 4

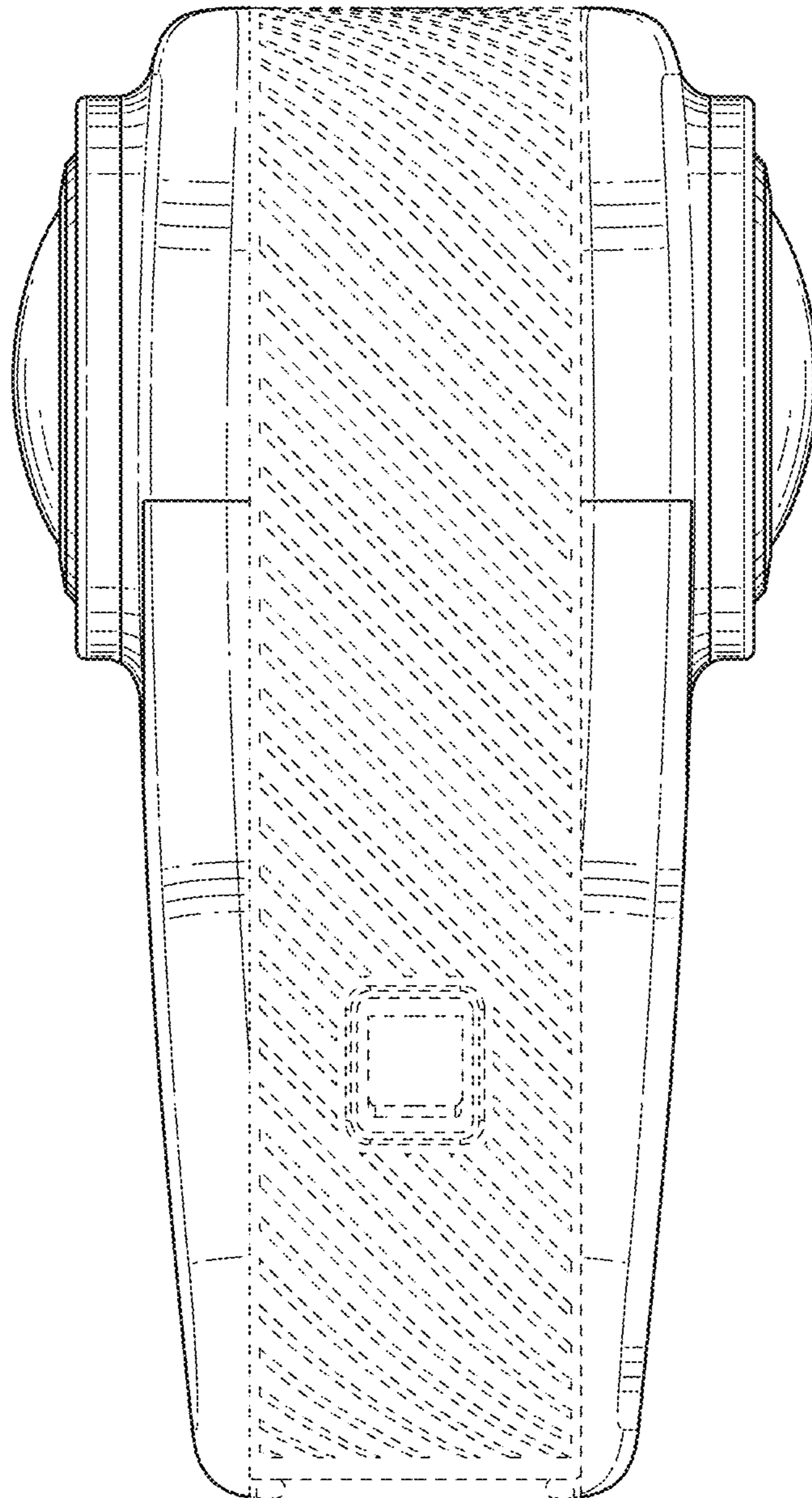


FIG. 5

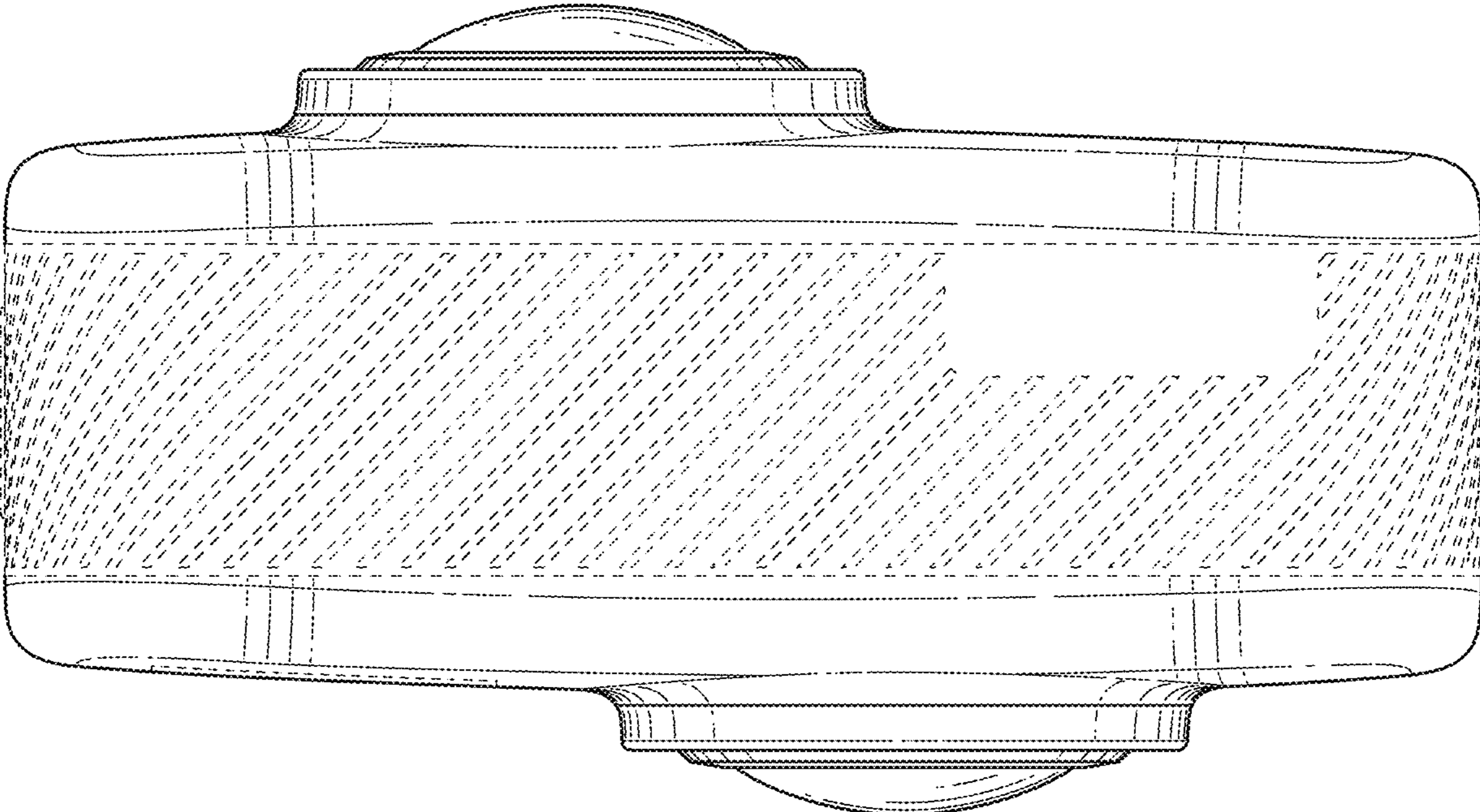


FIG. 6

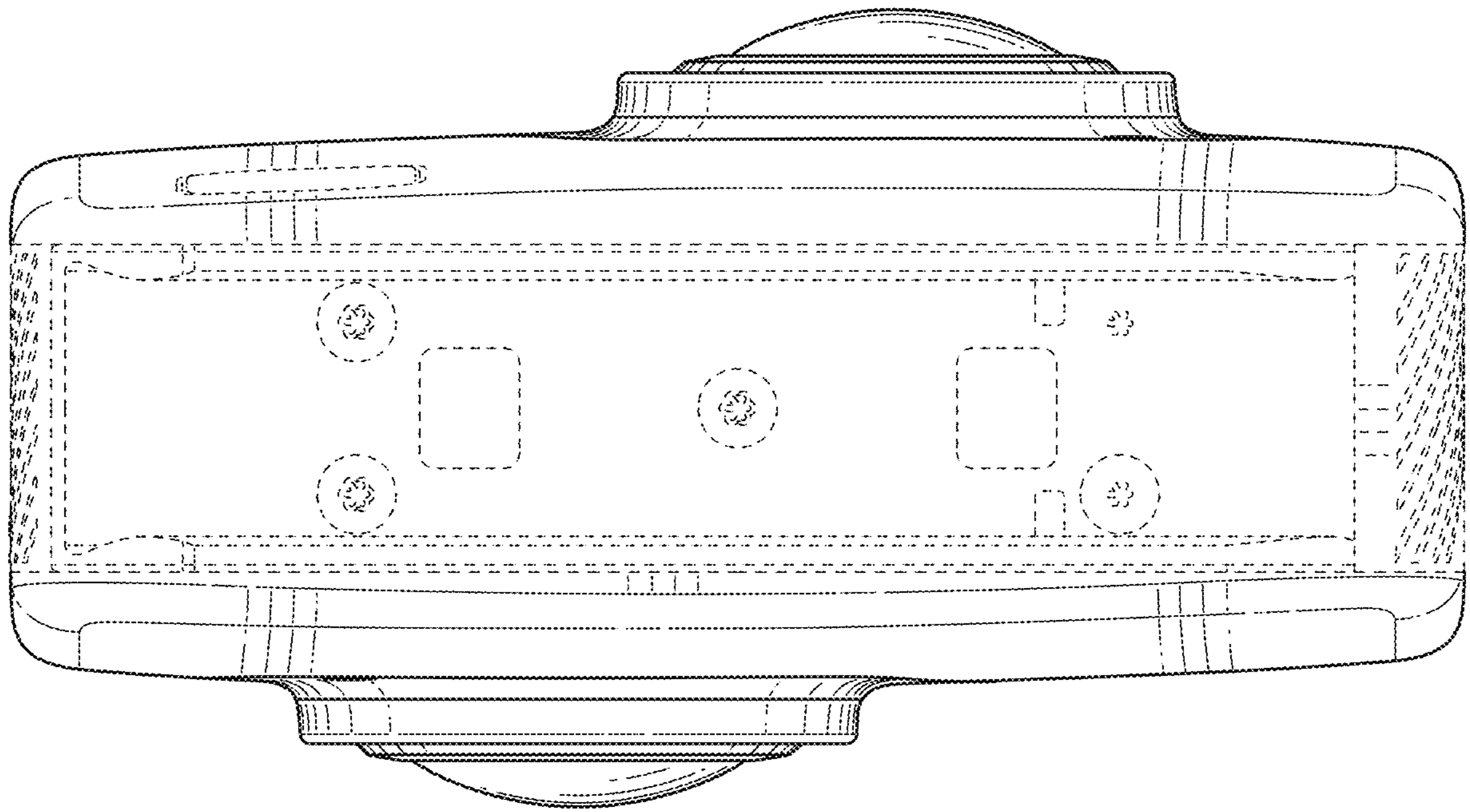


FIG. 7