



US00D880560S

(12) **United States Design Patent**  
**Högstedt et al.**

(10) **Patent No.:** **US D880,560 S**

(45) **Date of Patent:** **\*\* Apr. 7, 2020**

(54) **CAMERA**

(71) Applicant: **FLIR Systems AB**, Täby (SE)

(72) Inventors: **Christian Högstedt**, Nacka (SE);  
**Anton Hoffman**, Bromma (SE);  
**Jungha Lee**, Solna (SE)

(73) Assignee: **FLIR Systems AB**, Taby (SE)

(\*\*) Term: **15 Years**

(21) Appl. No.: **29/592,462**

(22) Filed: **Jan. 30, 2017**

(51) **LOC (12) Cl.** ..... **16-01**

(52) **U.S. Cl.**  
USPC ..... **D16/218**; D16/219

(58) **Field of Classification Search**  
USPC ..... D16/200, 202–206, 214–216, 218, 219,  
D16/229, 239, 240, 242, 244; D25/16;  
52/27.5, 29, 36.1; 348/373–376; 396/2,  
396/3, 5, 419, 427, 429, 535, 539–541  
CPC ..... G03B 15/00; G03B 15/03; G03B 15/06;  
G03B 17/02; G03B 17/04; G03B 17/53;  
G03B 17/56; G03B 19/04; H04N 5/2251;  
H04N 5/2252; H04N 5/2253; H04N  
5/2254; H04N 2101/00

See application file for complete search history.

(56) **References Cited**

**U.S. PATENT DOCUMENTS**

D419,170 S \* 1/2000 Ono ..... 396/419  
D633,933 S \* 3/2011 Van Schalkwyk ..... D16/214  
D651,635 S \* 1/2012 Hong ..... D14/423  
D680,148 S \* 4/2013 Unno ..... D14/423

D707,745 S \* 6/2014 Hernandez ..... D16/215  
D721,757 S \* 1/2015 Shepard ..... D16/214  
D727,992 S \* 4/2015 Tu ..... D16/215  
D731,575 S \* 6/2015 Moss ..... D16/215  
D752,127 S \* 3/2016 Inagaki ..... D16/215  
D782,558 S \* 3/2017 Tabuchi ..... D16/214  
D807,943 S \* 1/2018 Inagaki ..... D16/215

\* cited by examiner

*Primary Examiner* — Ramzi S Almatrahi

(74) *Attorney, Agent, or Firm* — Haynes and Boone, LLP

(57) **CLAIM**

The ornamental design for a camera, as shown and described.

**DESCRIPTION**

FIG. 1 is a front, left, and top perspective view of a camera embodying the new design;

FIG. 2 is a rear, right, and bottom perspective view of the camera thereof;

FIG. 3 is a front elevational view thereof;

FIG. 4 is a rear elevational view thereof;

FIG. 5 is a left side view thereof;

FIG. 6 is a right side view thereof;

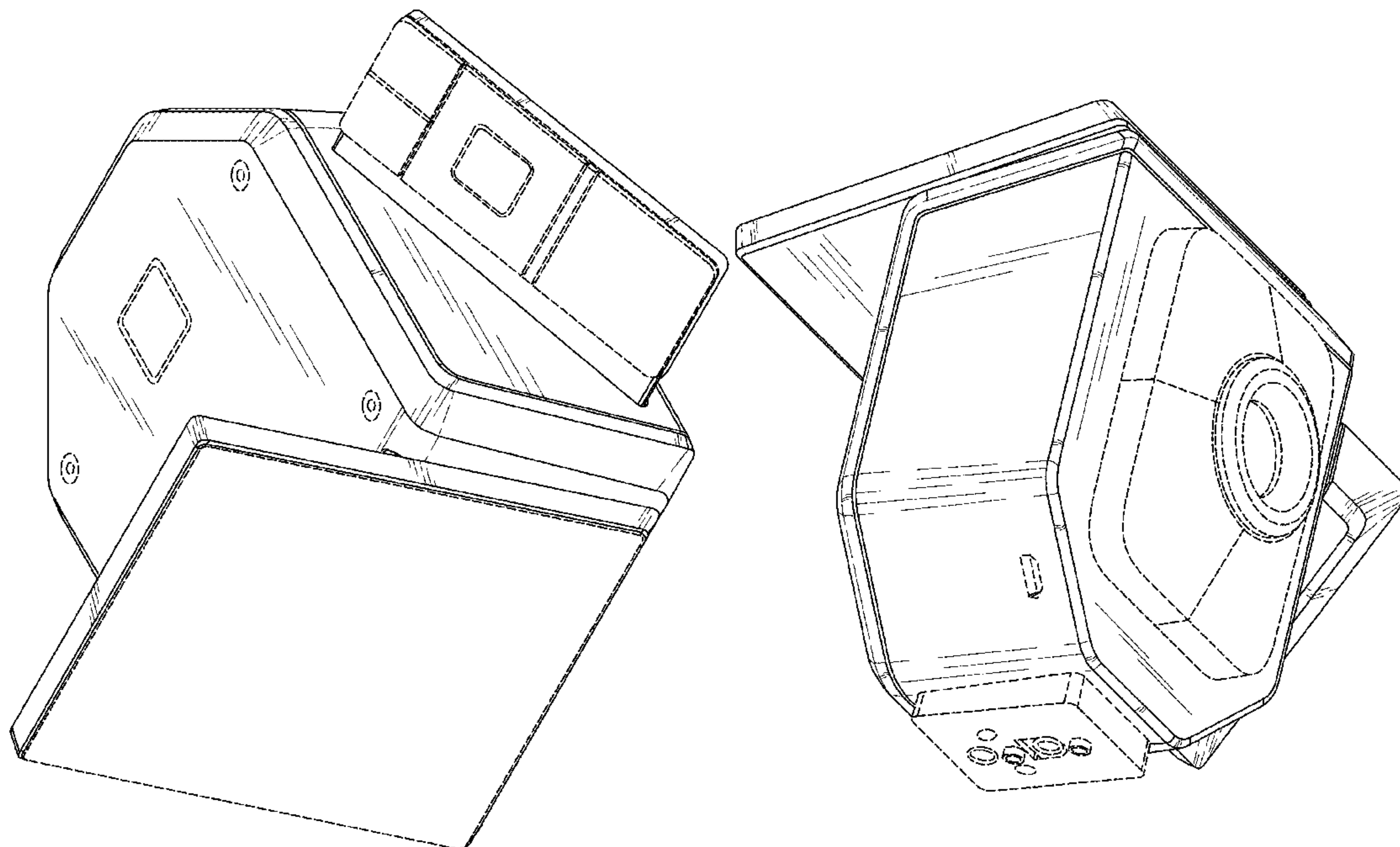
FIG. 7 is a top plan view thereof;

FIG. 8 is a bottom plan view thereof; and,

FIG. 9 is a front and left perspective view thereof, shown in condition of use with a stand, base, rod, and a mounting mechanism disclosed in broken lines to illustrate an environment.

The broken lines depict portions of the camera in which the design is embodied that form no part of the claimed design. The broken lines showing a stand, base, rod, and a mounting mechanism in FIG. 9 represent environmental structure and form no part of the claimed design.

**1 Claim, 9 Drawing Sheets**



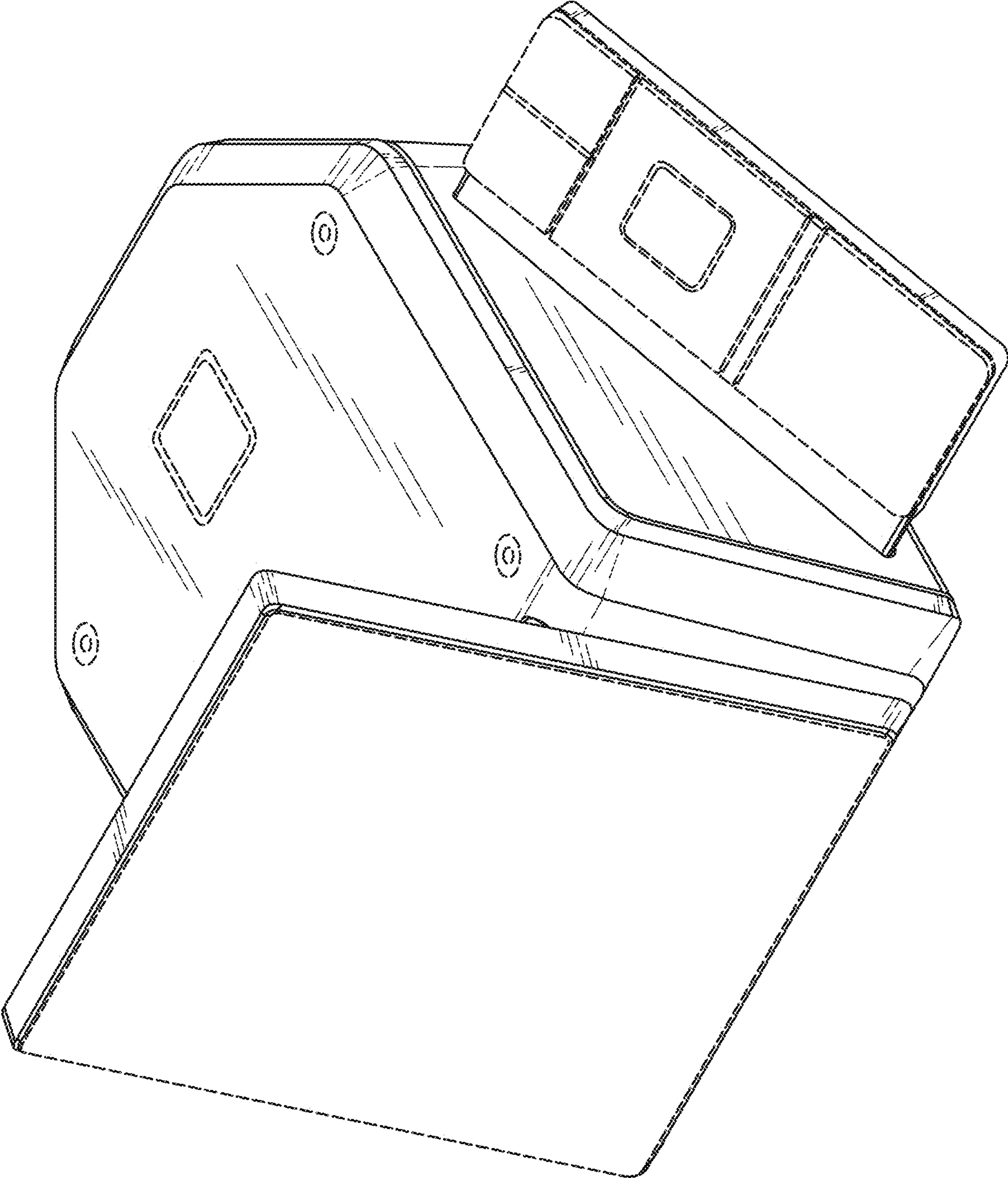


FIG. 1

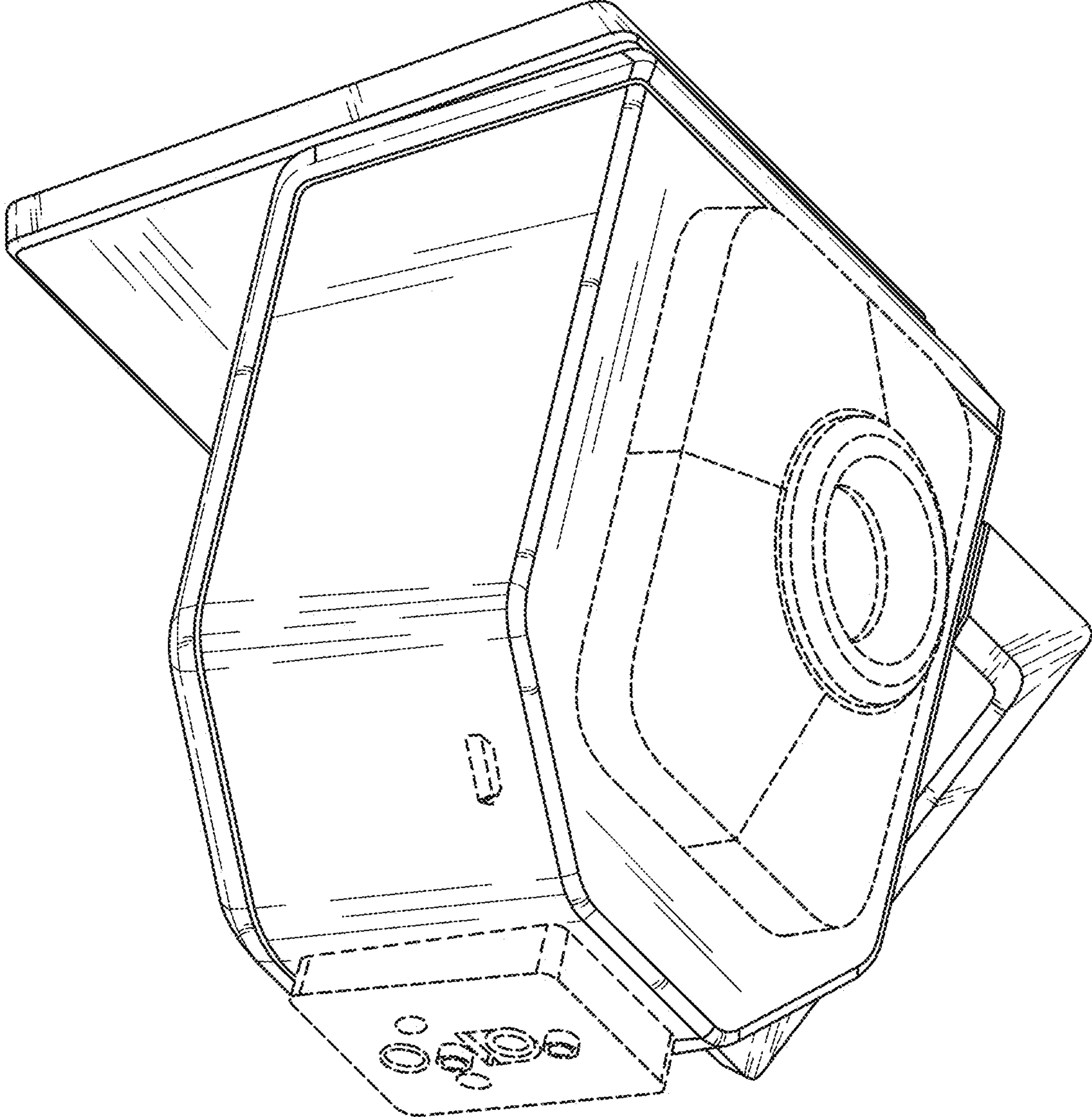


FIG. 2



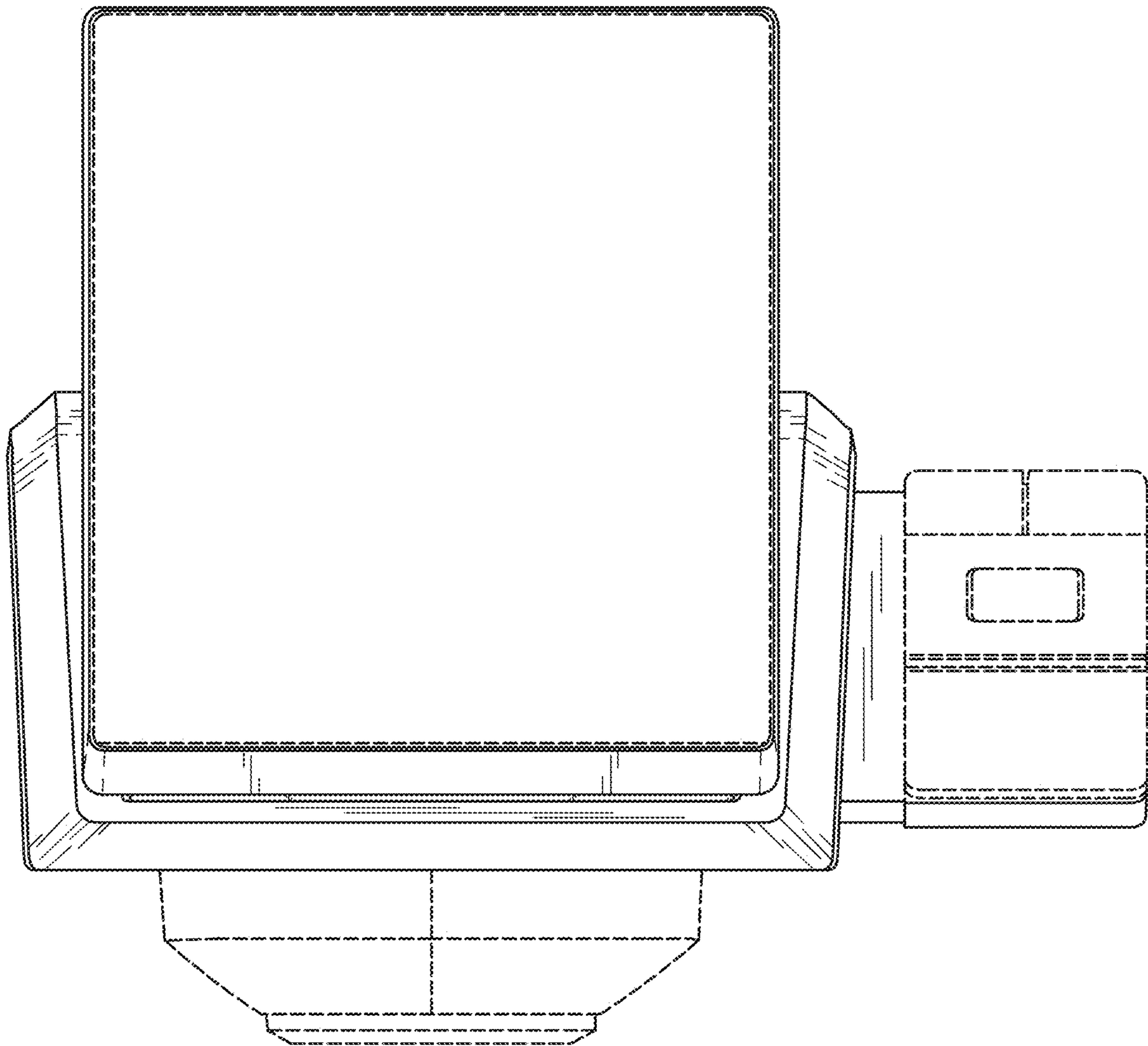


FIG. 3

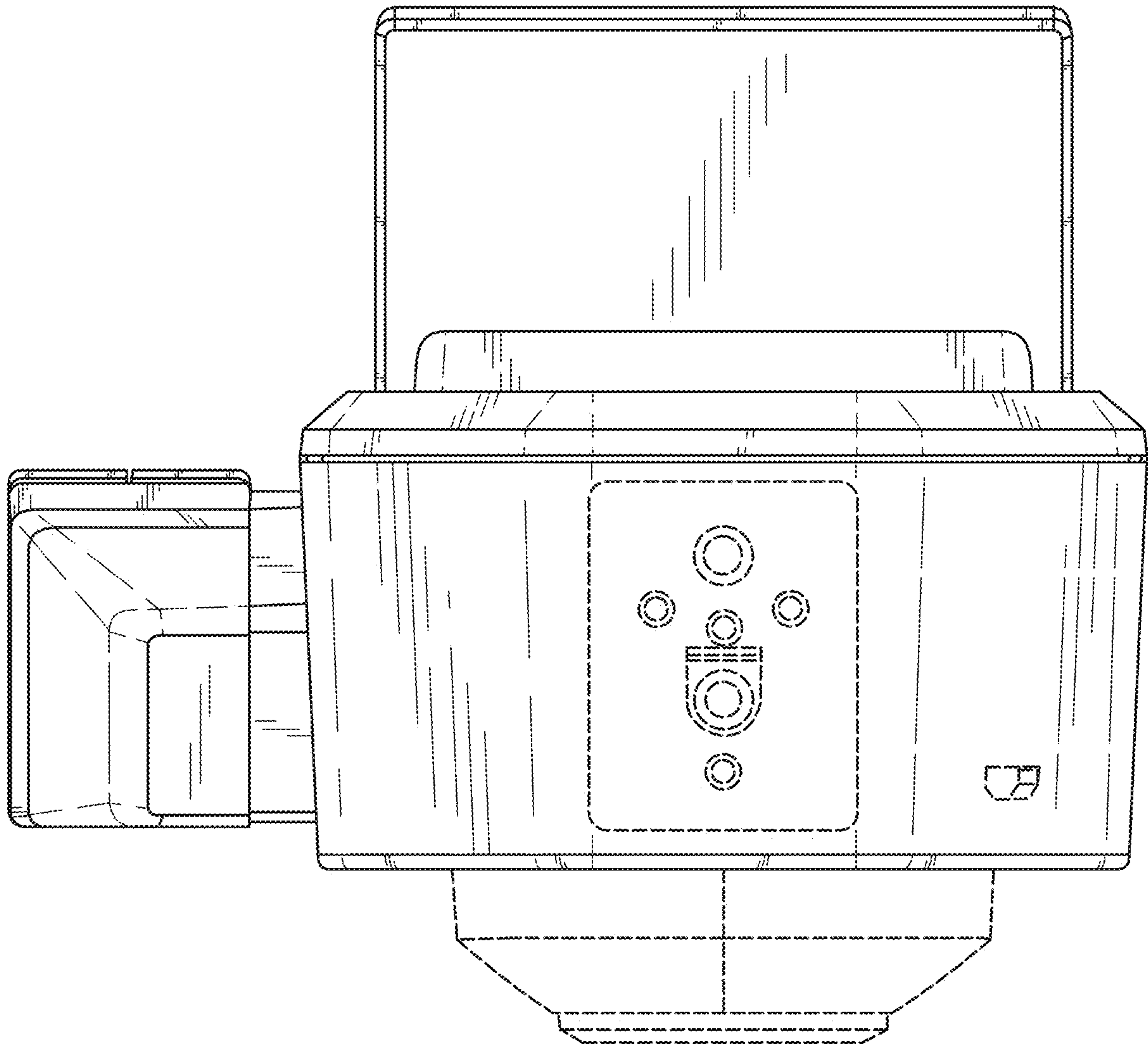


FIG. 4

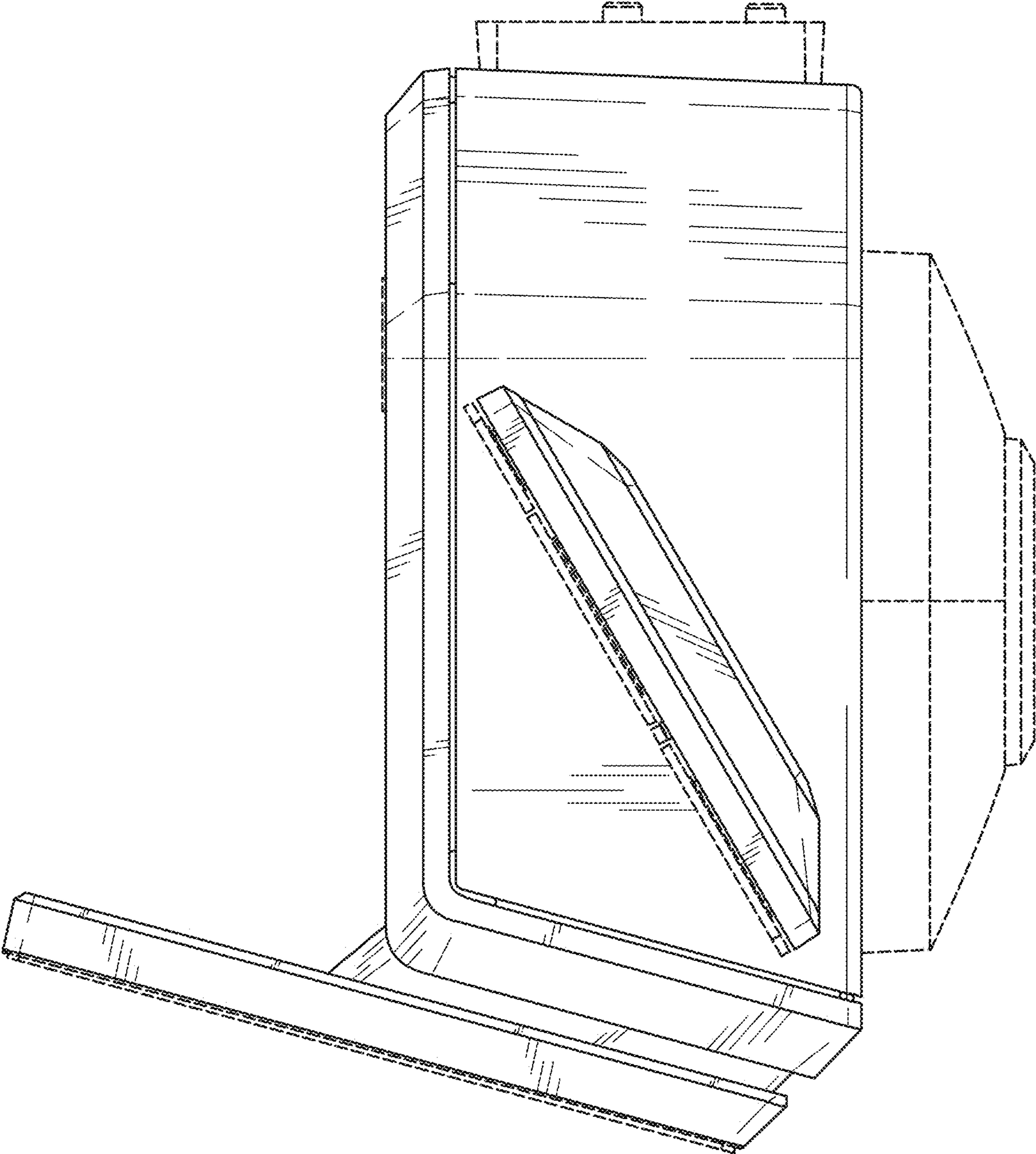


FIG. 5

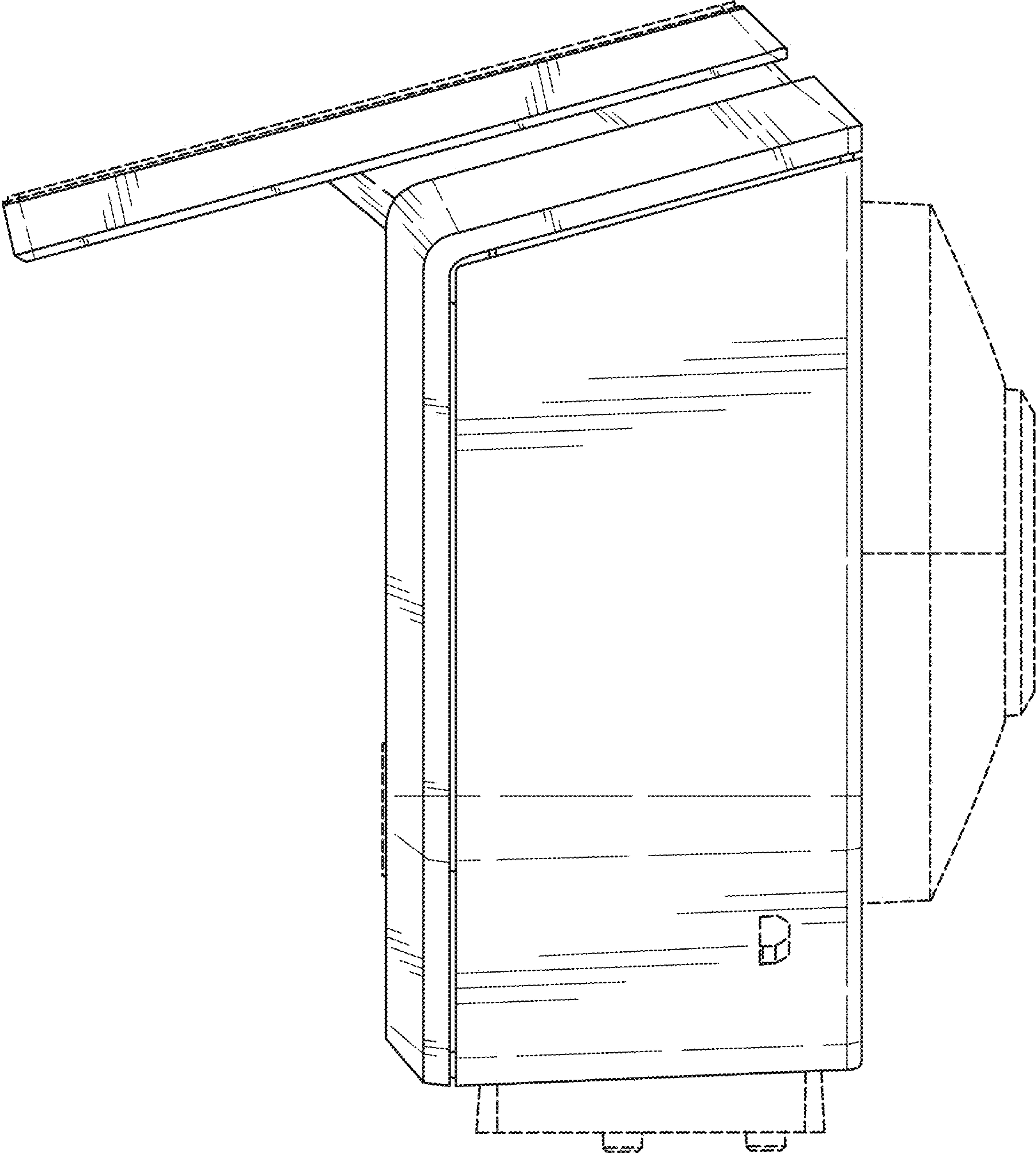


FIG. 6

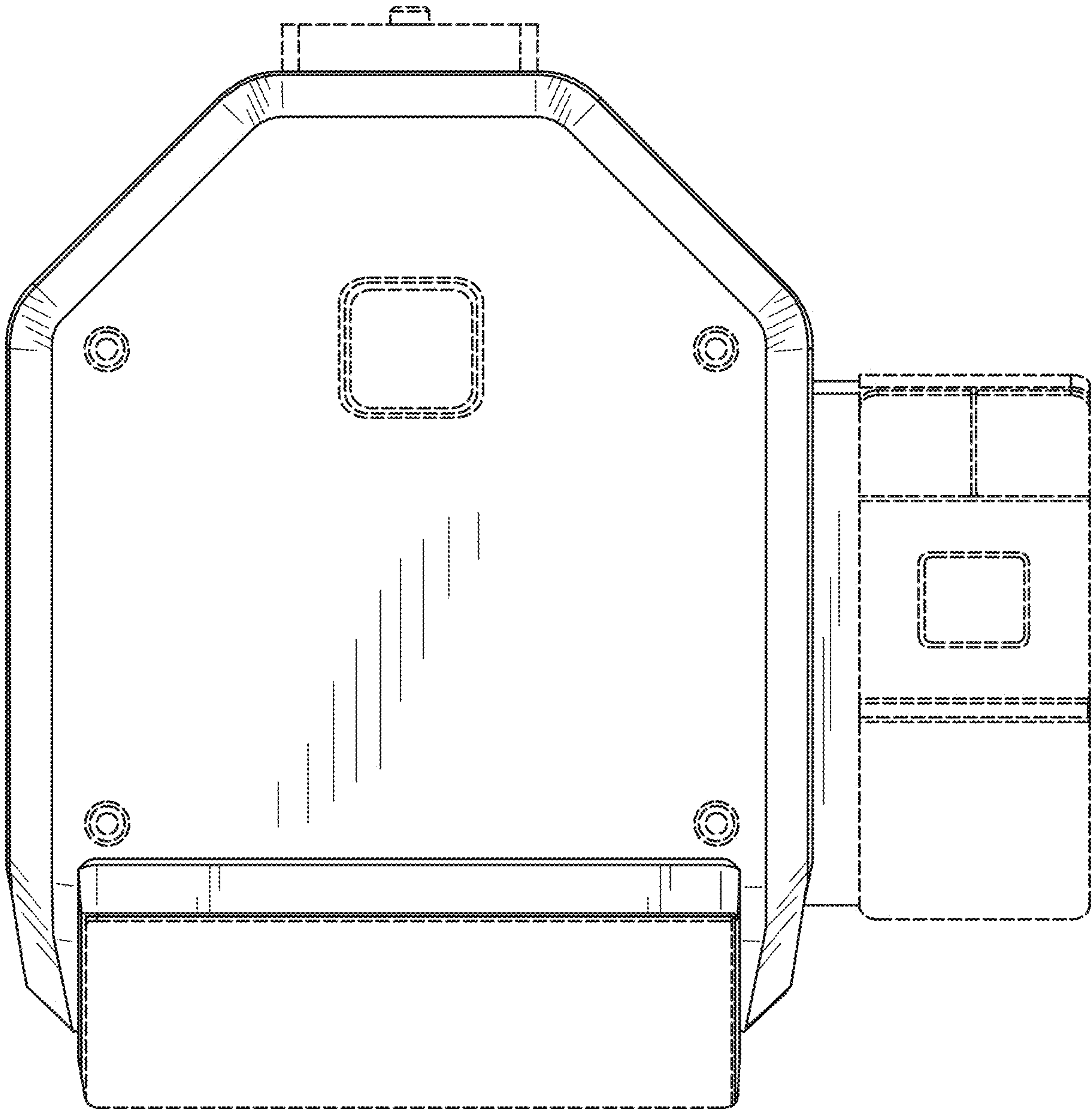


FIG. 7



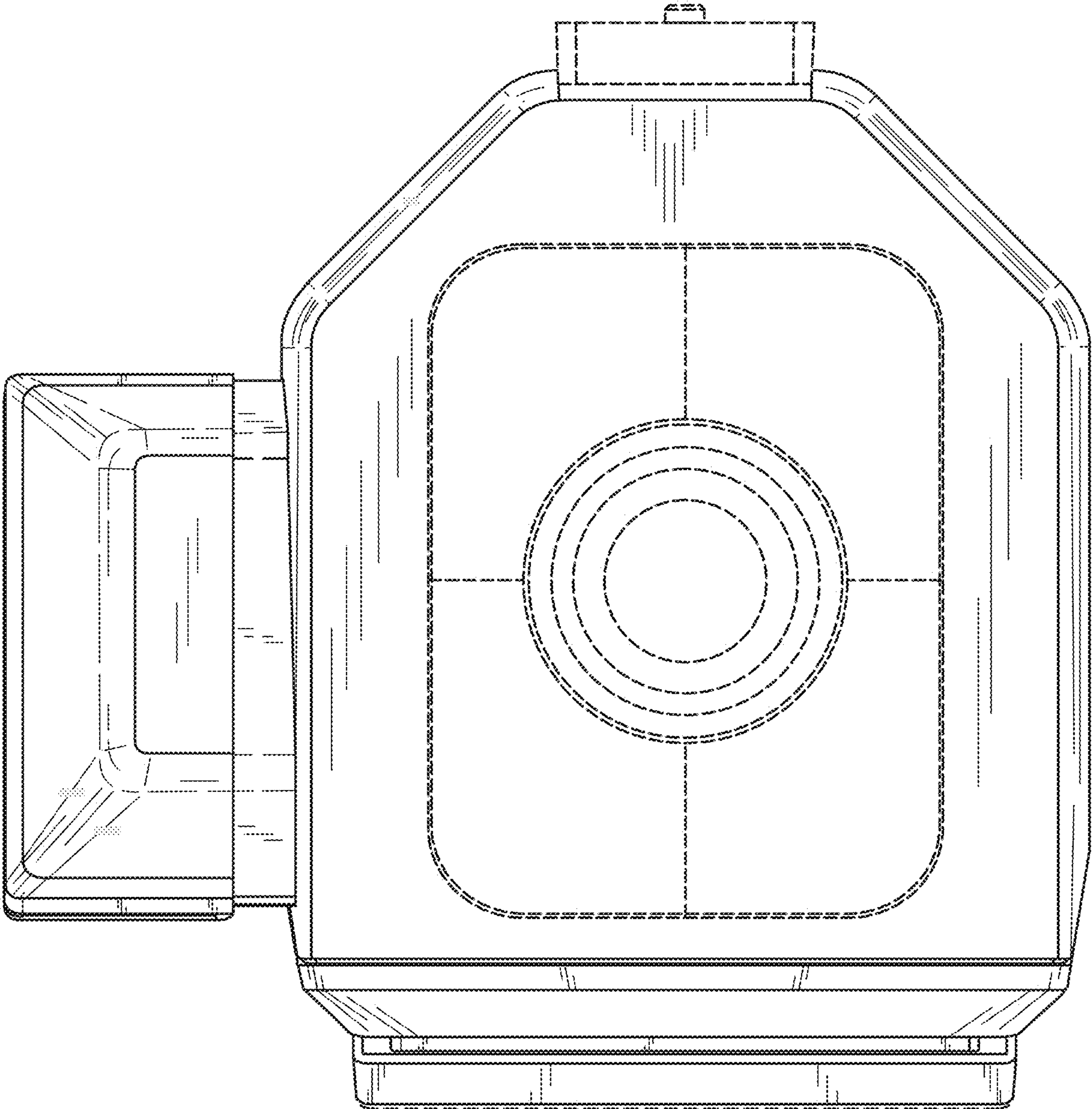


FIG. 8

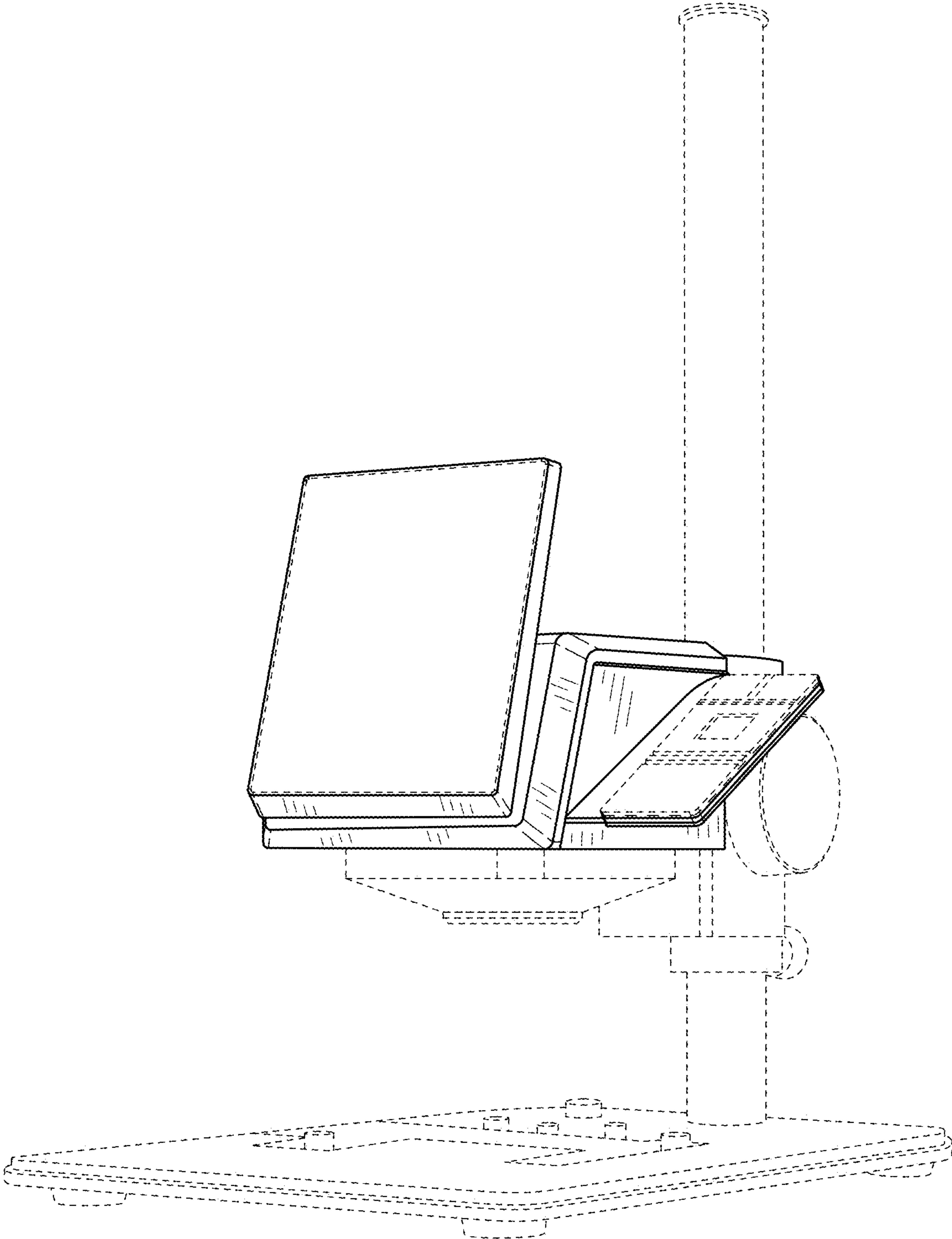


FIG. 9