



US00D880558S

(12) **United States Design Patent** (10) **Patent No.:** **US D880,558 S**  
**Collryd et al.** (45) **Date of Patent:** **\*\* Apr. 7, 2020**

(54) **MONITORING CAMERA**

(56) **References Cited**

(71) Applicant: **Axis AB**, Lund (SE)

U.S. PATENT DOCUMENTS

(72) Inventors: **Stefan Collryd**, Lund (SE); **Olaf Hoyer**, Lund (SE); **Andreas Hertzman**, Helsingborg (SE); **Mattias Uttke**, Lund (SE); **Malte Bokvist**, Lund (SE); **Jonas Sjogren**, Lund (SE); **Mathias Walter**, Arlov (SE); **Mariano Vozzi**, Malmo (SE)

D688,720 S \* 8/2013 Yilin ..... D16/203  
D729,859 S 5/2015 Shin et al.  
D751,621 S \* 3/2016 Katori ..... D16/203  
D752,674 S \* 3/2016 Katori ..... D16/203  
D772,324 S \* 11/2016 Bennermark ..... D16/203  
D781,169 S \* 3/2017 Wang ..... D10/106.5  
D786,330 S 5/2017 Tasselli et al.  
D786,725 S \* 5/2017 McCormick ..... D10/106.5  
D796,566 S \* 9/2017 Bingleman ..... D16/203  
D796,567 S \* 9/2017 Bingleman ..... D16/203

(73) Assignee: **AXIS AB**, Lund (SE)

(Continued)

(\*\*) Term: **15 Years**

FOREIGN PATENT DOCUMENTS

(21) Appl. No.: **29/712,037**

EM 002861161-0001 11/2015  
EM 002861161-0002 11/2015

(22) Filed: **Nov. 5, 2019**

(Continued)

**Related U.S. Application Data**

*Primary Examiner* — Ramzi S Almatrahi

(62) Division of application No. 29/666,118, filed on Oct. 10, 2018.

(74) *Attorney, Agent, or Firm* — Volpe and Koenig, P.C.

(30) **Foreign Application Priority Data**

(57) **CLAIM**

Apr. 10, 2018 (EM) ..... 005228590

The ornamental design for a monitoring camera, as shown and described.

(51) **LOC (12) Cl.** ..... **16-01**

**DESCRIPTION**

(52) **U.S. Cl.**  
USPC ..... **D16/203**

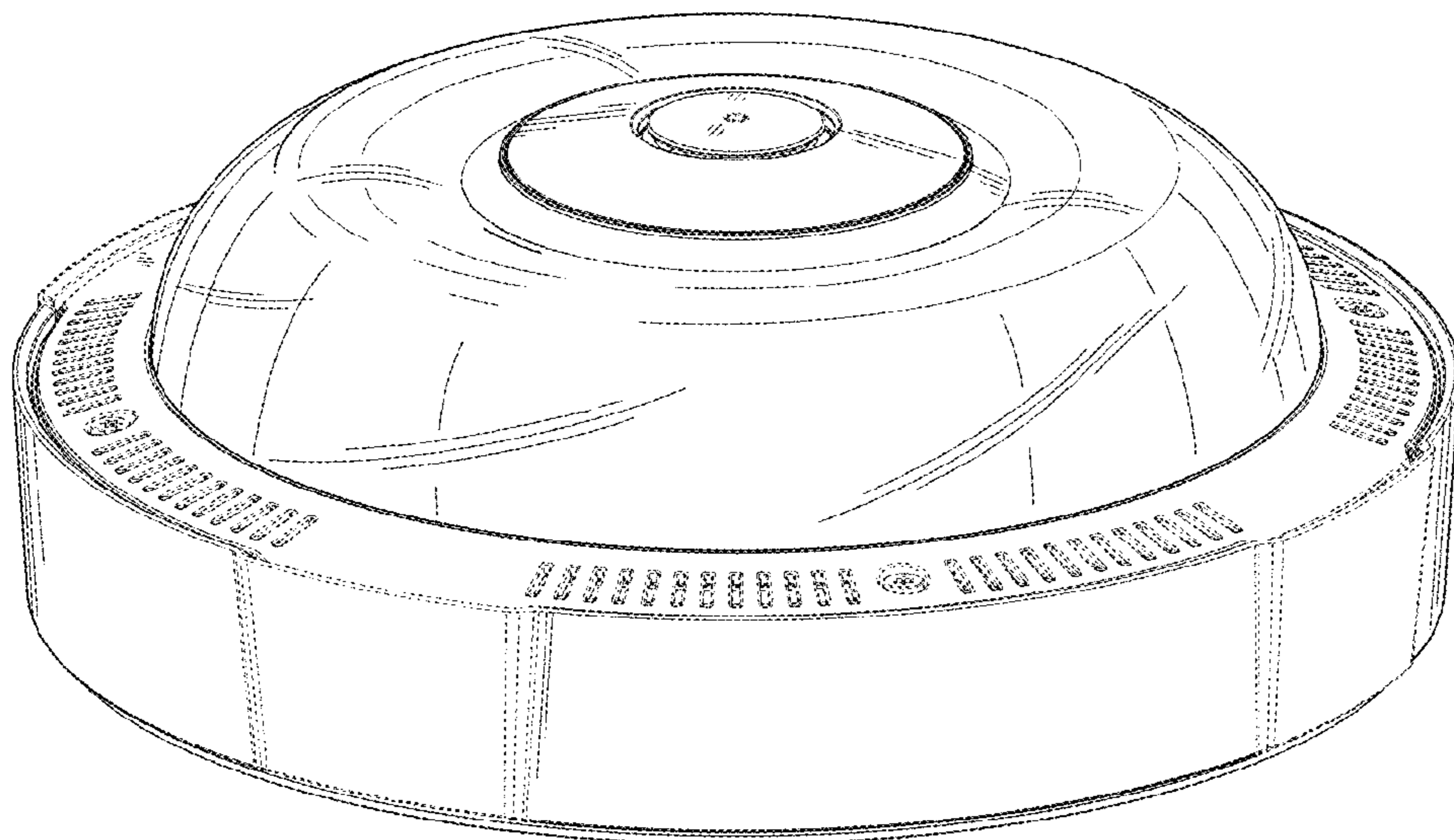
(58) **Field of Classification Search**  
USPC ..... D16/200, 202–208, 218, 219, 242;  
348/143, 148, 151, 373–376; 396/419,  
396/427, 535, 539–541  
CPC ..... G03B 17/02; G03B 19/04; G03B 17/56;  
G03B 17/04; G03B 15/03; H04N 5/2251;  
H04N 5/2252; H04N 5/2253; H04N  
5/2254; H04N 7/181; H04N 7/183; H04N  
7/18; G08B 13/1963; G08B 13/19619;  
G08B 13/19632; F16M 11/04; F16M  
13/00

FIG. 1 is a perspective view of a monitoring camera in accordance with our design;  
FIG. 2 is a top plan view thereof;  
FIG. 3 is a front elevational view thereof;  
FIG. 4 is a rear elevational view thereof;  
FIG. 5 is a right side elevational view thereof;  
FIG. 6 is a left side elevational view thereof; and,  
FIG. 7 is a bottom plan view thereof.

The broken lines represent portions of the monitoring camera in which the design is embodied that form no part of the claimed design.

See application file for complete search history.

**1 Claim, 5 Drawing Sheets**



(56)

**References Cited**

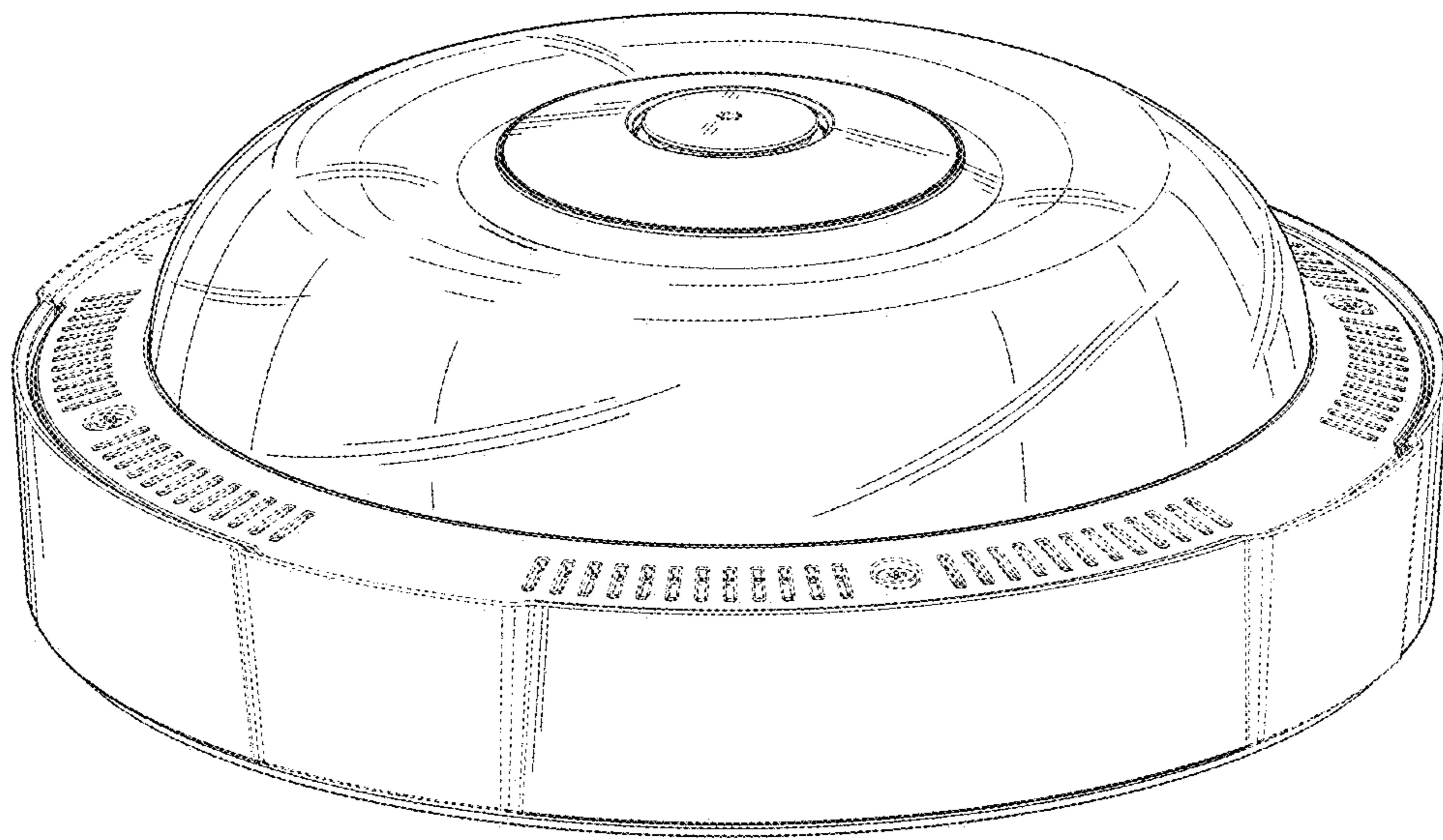
U.S. PATENT DOCUMENTS

|                 |         |                 |         |
|-----------------|---------|-----------------|---------|
| D796,568 S *    | 9/2017  | Bingleman ..... | D16/203 |
| D798,933 S *    | 10/2017 | Little .....    | D16/203 |
| D811,462 S      | 2/2018  | Axelsson et al. |         |
| D816,755 S *    | 5/2018  | Barnekow .....  | D16/203 |
| D822,088 S *    | 7/2018  | Park .....      | D16/203 |
| D827,011 S *    | 8/2018  | Kip .....       | D16/202 |
| 2012/0092504 A1 | 4/2012  | Murphy et al.   |         |

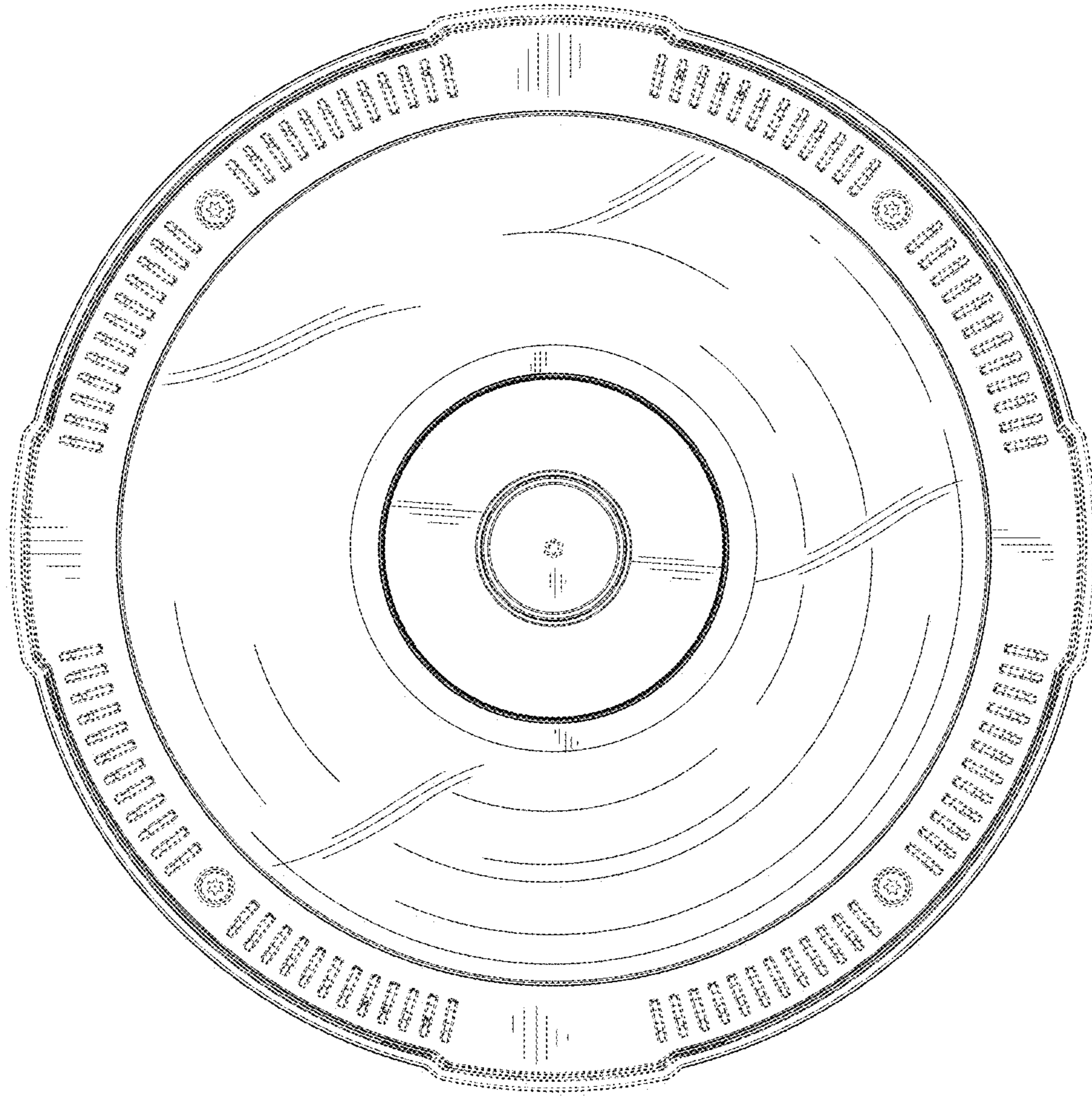
FOREIGN PATENT DOCUMENTS

|    |                |         |
|----|----------------|---------|
| EM | 002861161-0003 | 11/2015 |
| EM | 002861161-0004 | 11/2015 |
| TW | D189516        | 4/2018  |
| TW | D190813        | 6/2018  |
| TW | D190815        | 6/2018  |

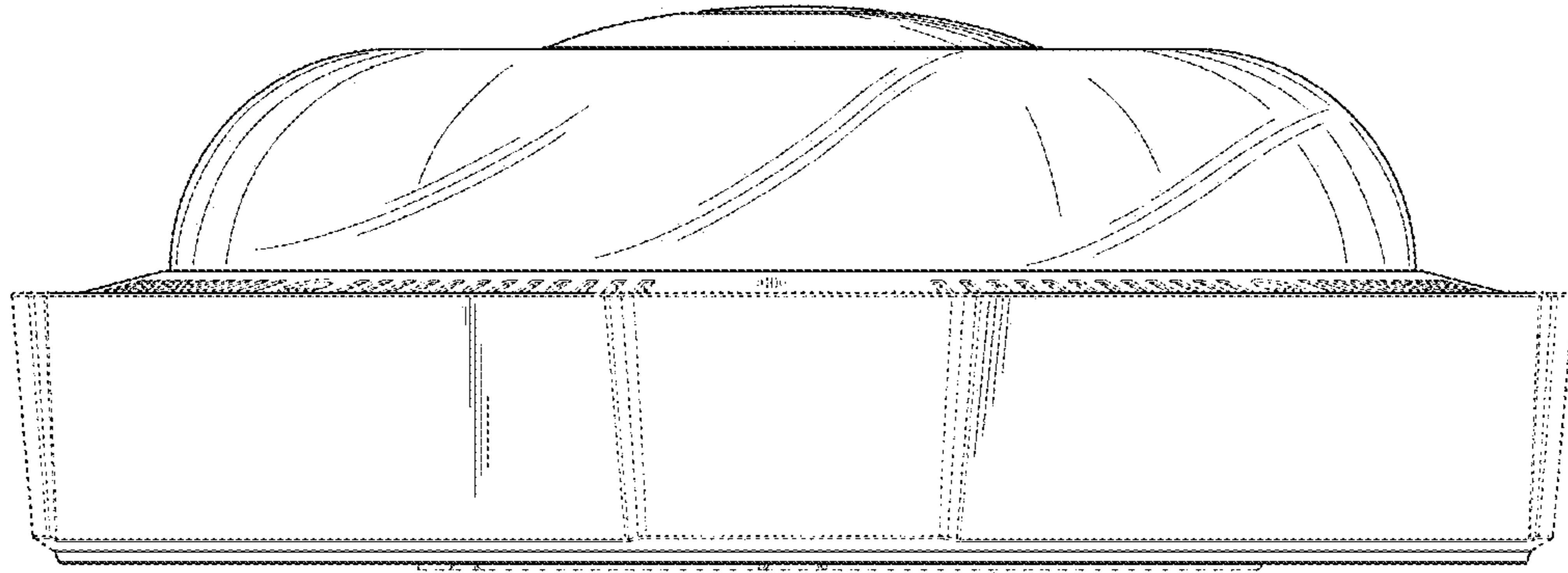
\* cited by examiner



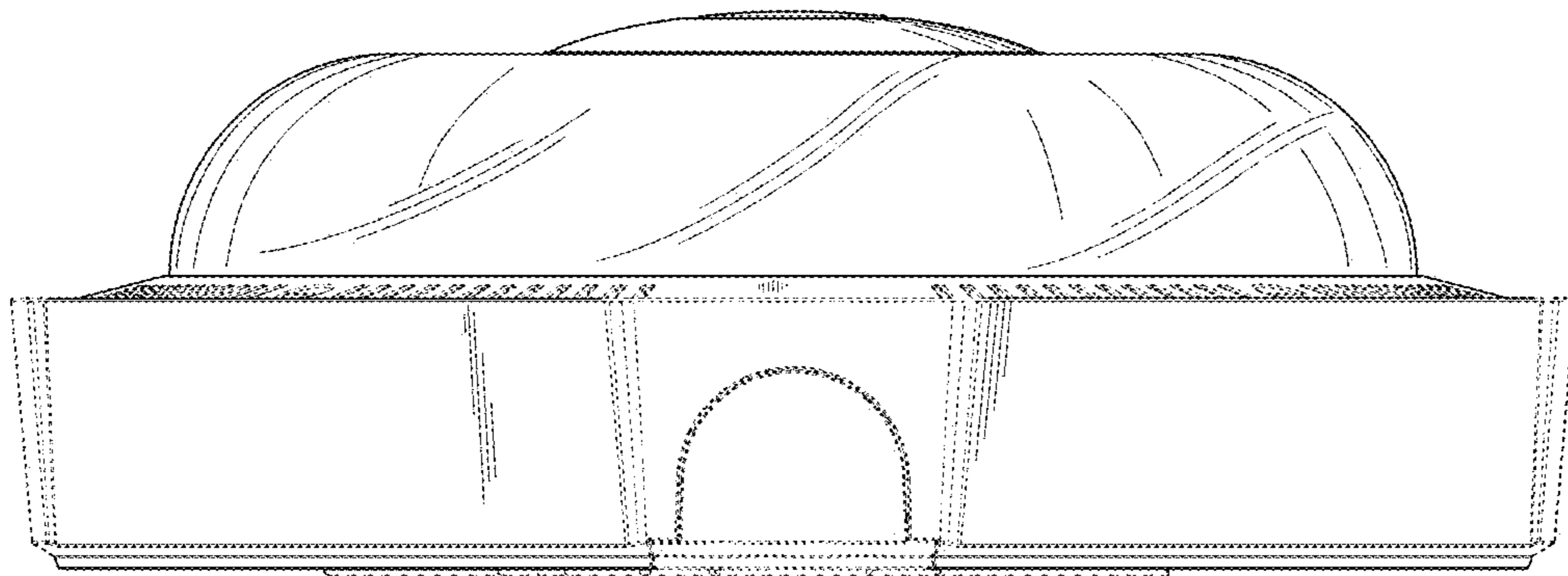
*Fig. 1*



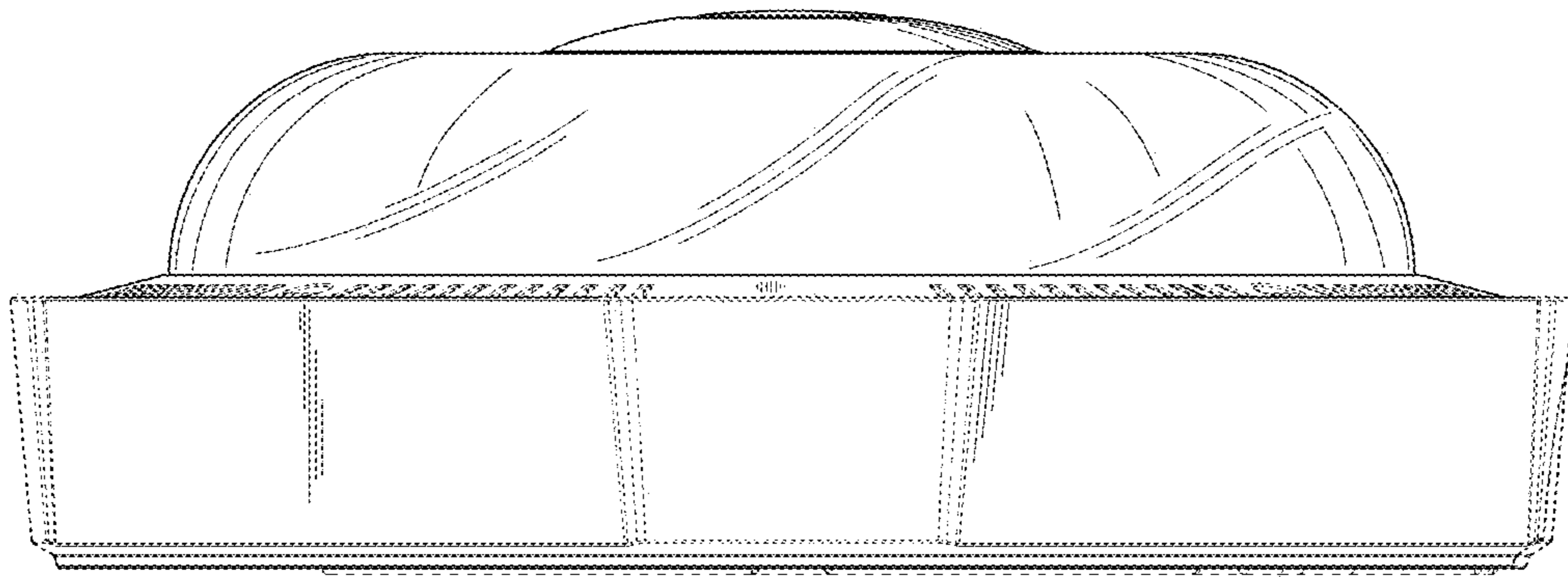
*Fig. 2*



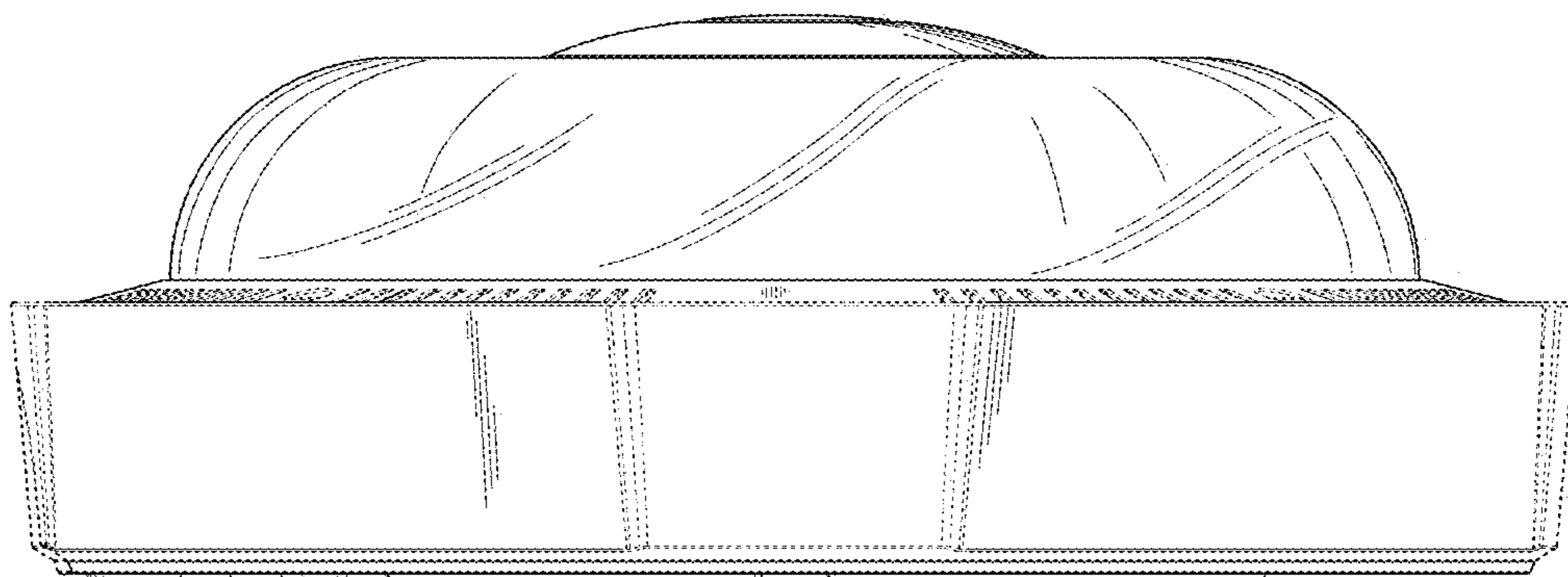
*Fig. 3*



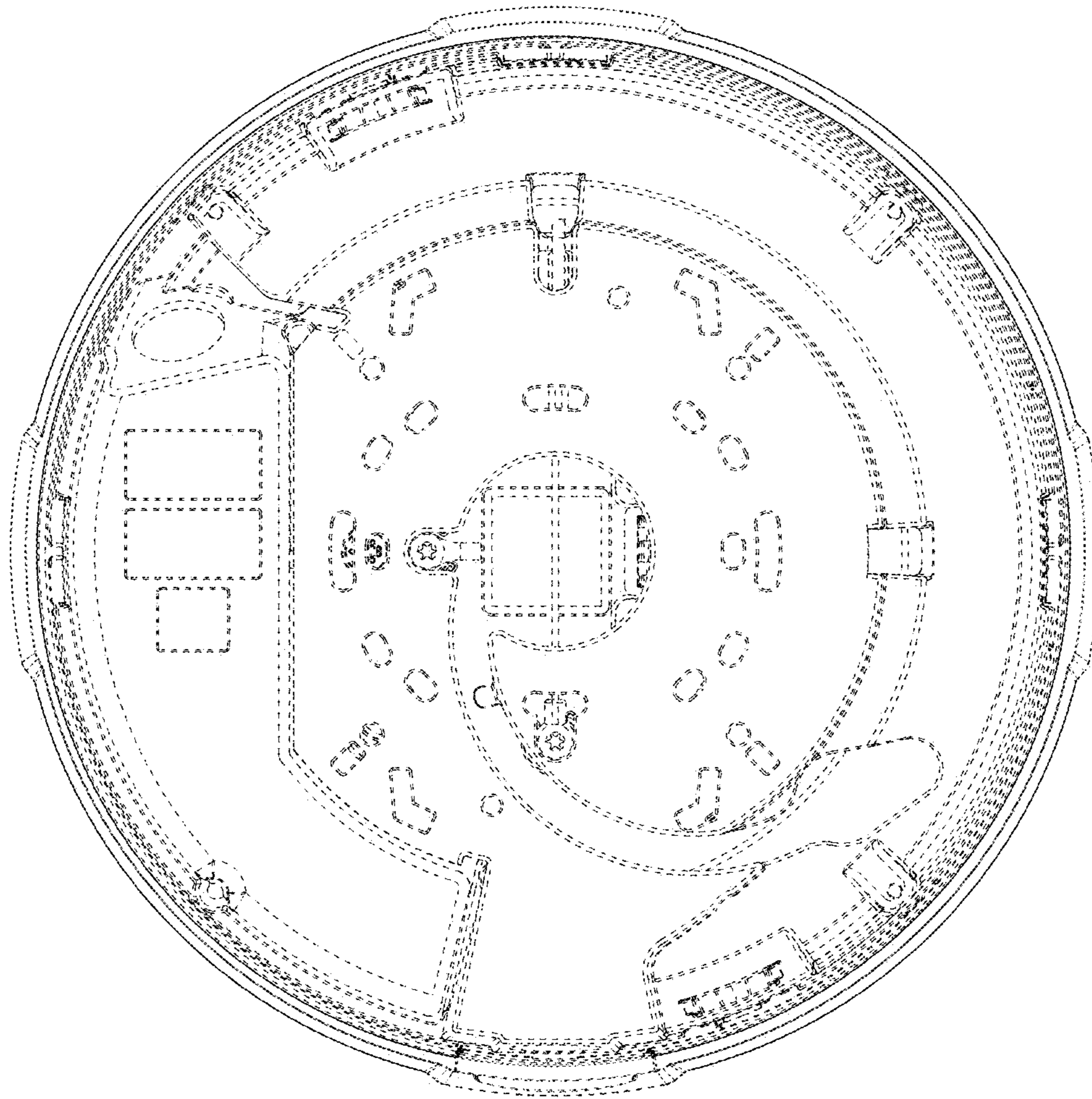
*Fig. 4*



*Fig. 5*



*Fig. 6*



*Fig. 7*