



US00D880556S

(12) **United States Design Patent**
Tang et al.

(10) **Patent No.:** **US D880,556 S**

(45) **Date of Patent:** **** Apr. 7, 2020**

(54) **SURVEILLANCE CAMERA**

(71) Applicant: **VIVOTEK INC.**, New Taipei (TW)

(72) Inventors: **Wei-Kai Tang**, New Taipei (TW);
Yen-Yang Lin, New Taipei (TW)

(73) Assignee: **VIVOTEK INC.**, New Taipei (TW)

(**) Term: **15 Years**

(21) Appl. No.: **29/683,525**

(22) Filed: **Mar. 13, 2019**

(30) **Foreign Application Priority Data**

Sep. 14, 2018 (TW) 107305478

(51) **LOC (12) Cl.** **16-01**

(52) **U.S. Cl.**
USPC **D16/203**

(58) **Field of Classification Search**

USPC D16/200, 202–206, 218, 219, 242;
348/143, 148, 151, 373–376; 396/419,
396/427, 535, 539–541

CPC G03B 17/02; G03B 19/04; G03B 17/56;
G03B 17/04; G03B 15/03; H04N 5/2251;
H04N 5/2252; H04N 5/2253; H04N
5/2254; H04N 7/181; H04N 7/183; H04N
7/18; G08B 13/1963; G08B 13/19619;
G08B 13/19632; F16M 11/04; F16M
13/00

See application file for complete search history.

(56) **References Cited**

U.S. PATENT DOCUMENTS

D561,220 S * 2/2008 Alm D16/203
D629,436 S * 12/2010 Cheng D16/203

D630,665 S * 1/2011 Yamakawa D16/203
D633,931 S * 3/2011 Ham D16/203
D643,455 S * 8/2011 Raa D16/203
D676,887 S * 2/2013 Nakashima D16/203
D689,536 S * 9/2013 Li D16/203
D719,994 S * 12/2014 Wang D16/203
D829,801 S * 10/2018 Park D16/203
D841,716 S * 2/2019 Teachworth D16/203
D863,400 S * 10/2019 Li D16/203
D870,181 S * 12/2019 Geng D16/203
D871,485 S * 12/2019 Walter D16/203

* cited by examiner

Primary Examiner — Ramzi S Almatrahi

(74) *Attorney, Agent, or Firm* — Winston Hsu

(57) **CLAIM**

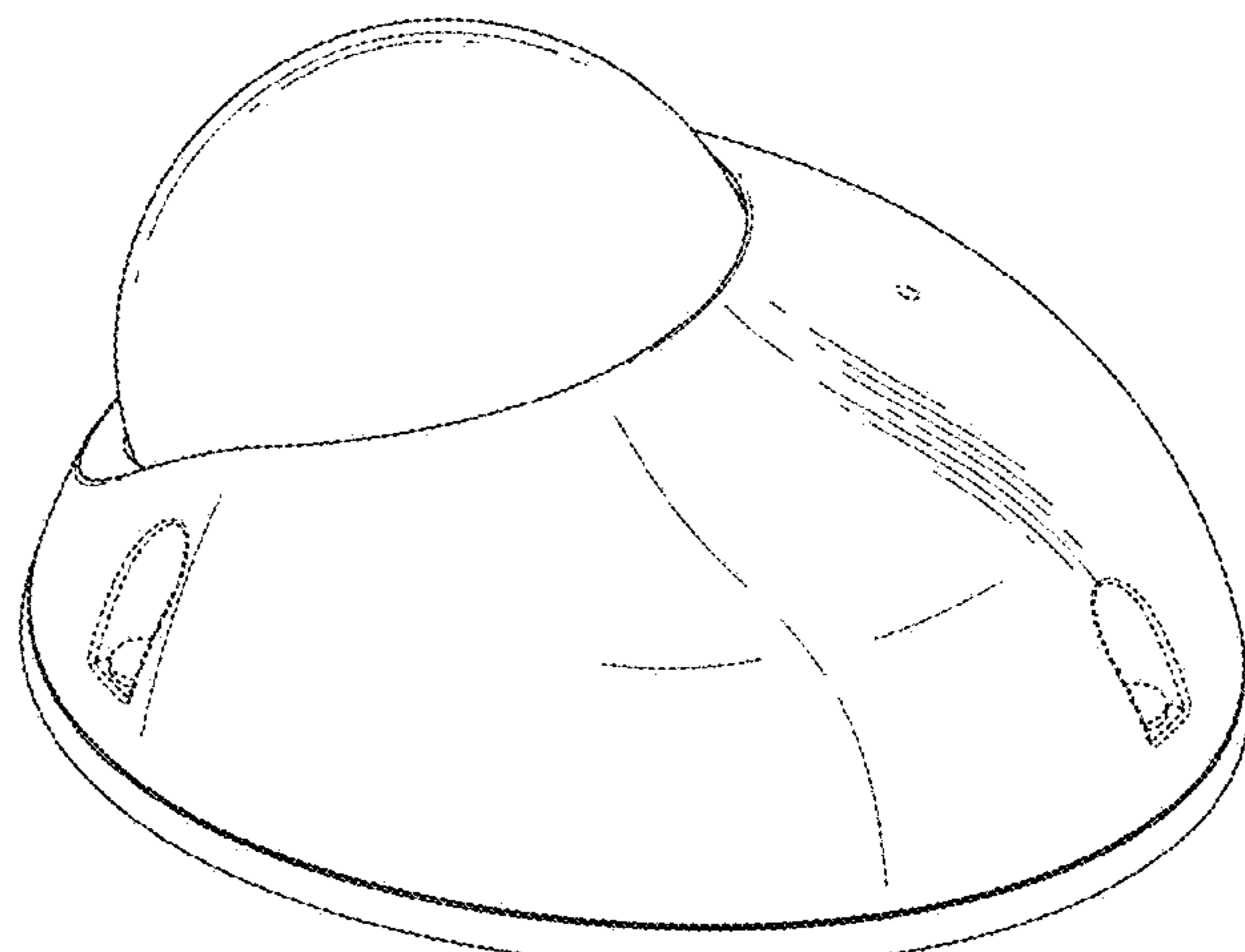
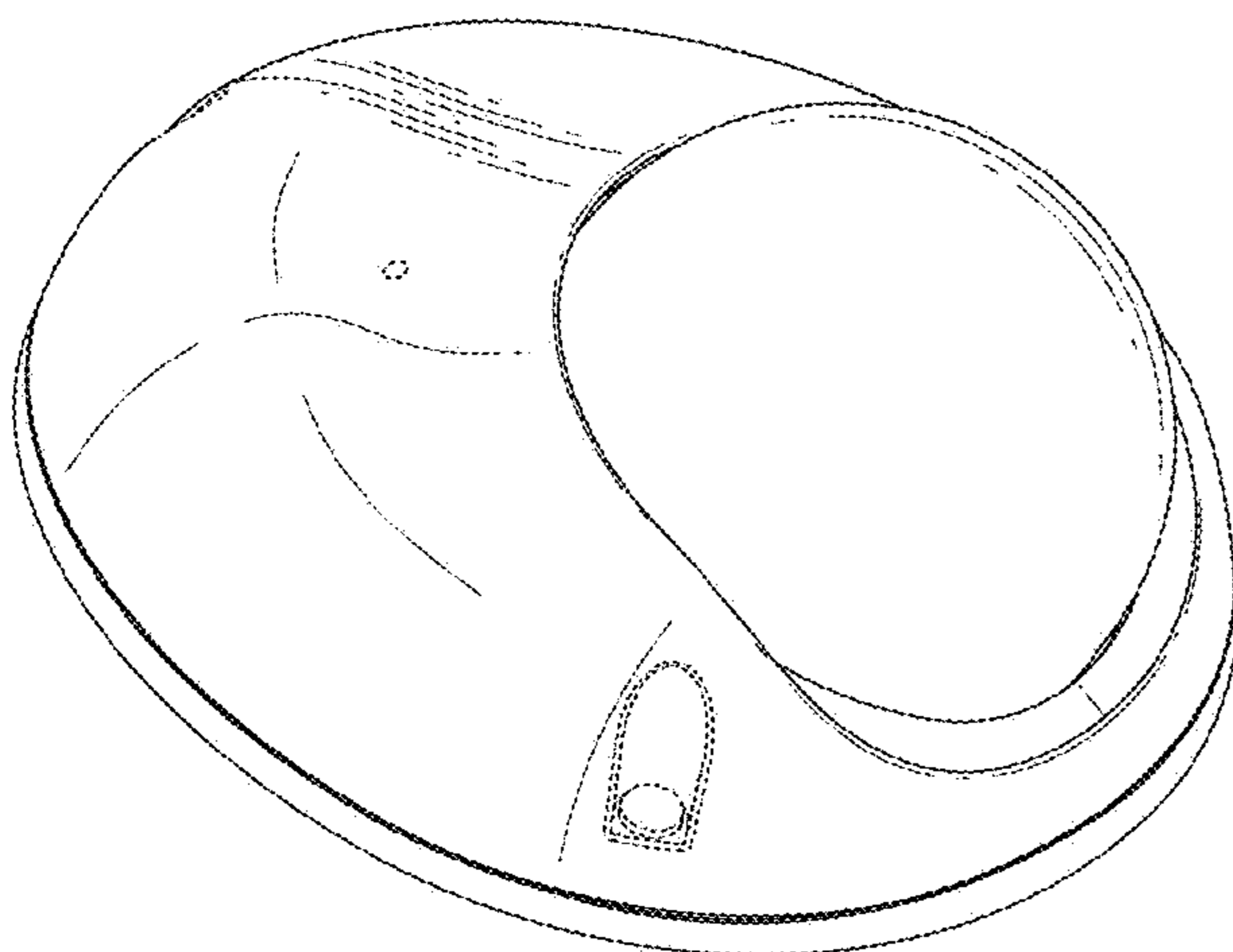
The ornamental design for a surveillance camera, as shown and described.

DESCRIPTION

FIG. 1 is a top, front, and left side perspective view for a surveillance camera showing our new design;
FIG. 2 is a top, rear, and right side perspective view thereof;
FIG. 3 is a front elevation view thereof;
FIG. 4 is a rear elevation view thereof;
FIG. 5 is a left side elevation view thereof;
FIG. 6 is a right side elevation view thereof;
FIG. 7 is a top plan view thereof; and,
FIG. 8 is a bottom plan view thereof.

The broken lines depict portions of the surveillance camera in which the design is embodied that form no part of the claimed design.

1 Claim, 8 Drawing Sheets



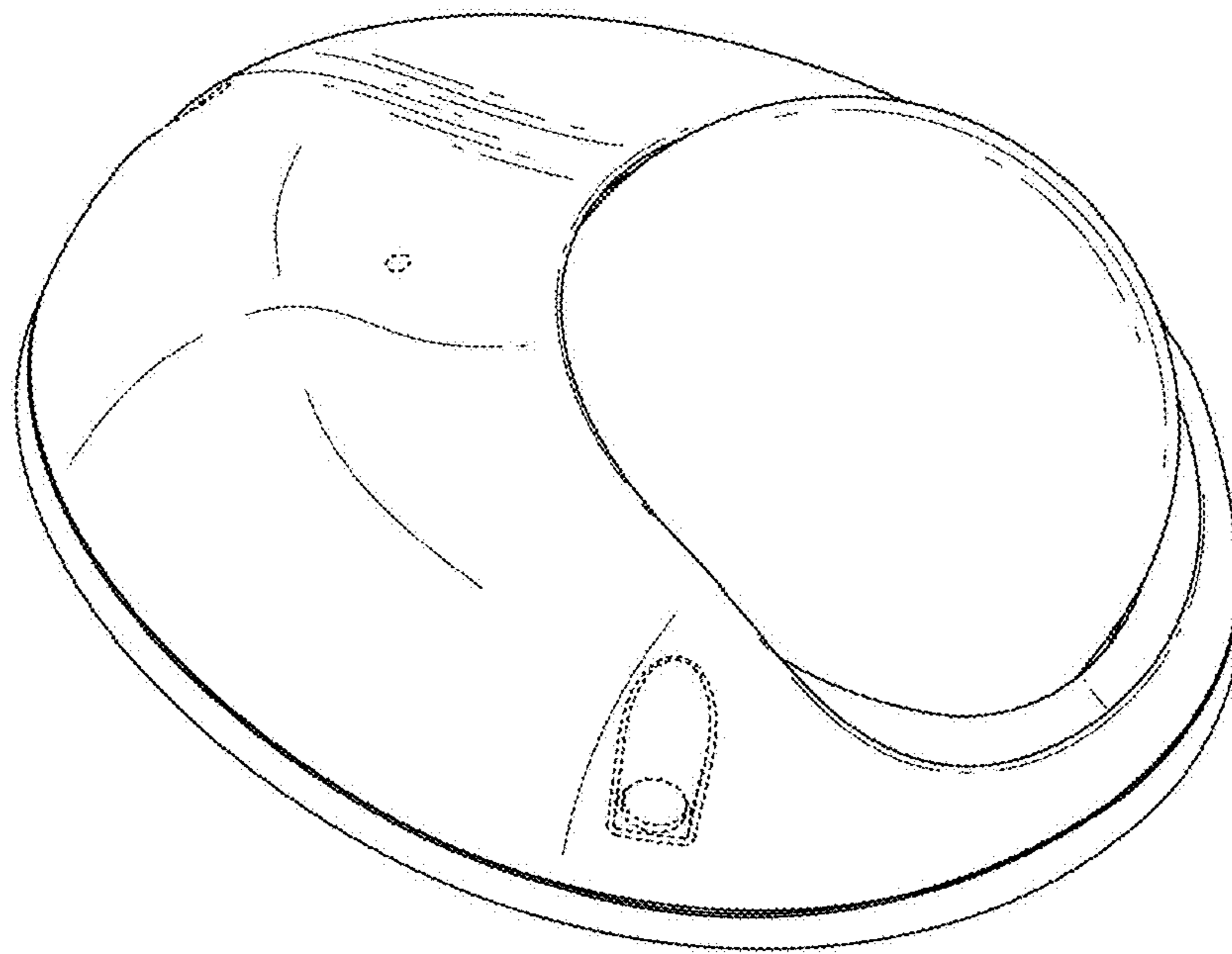


FIG. 1

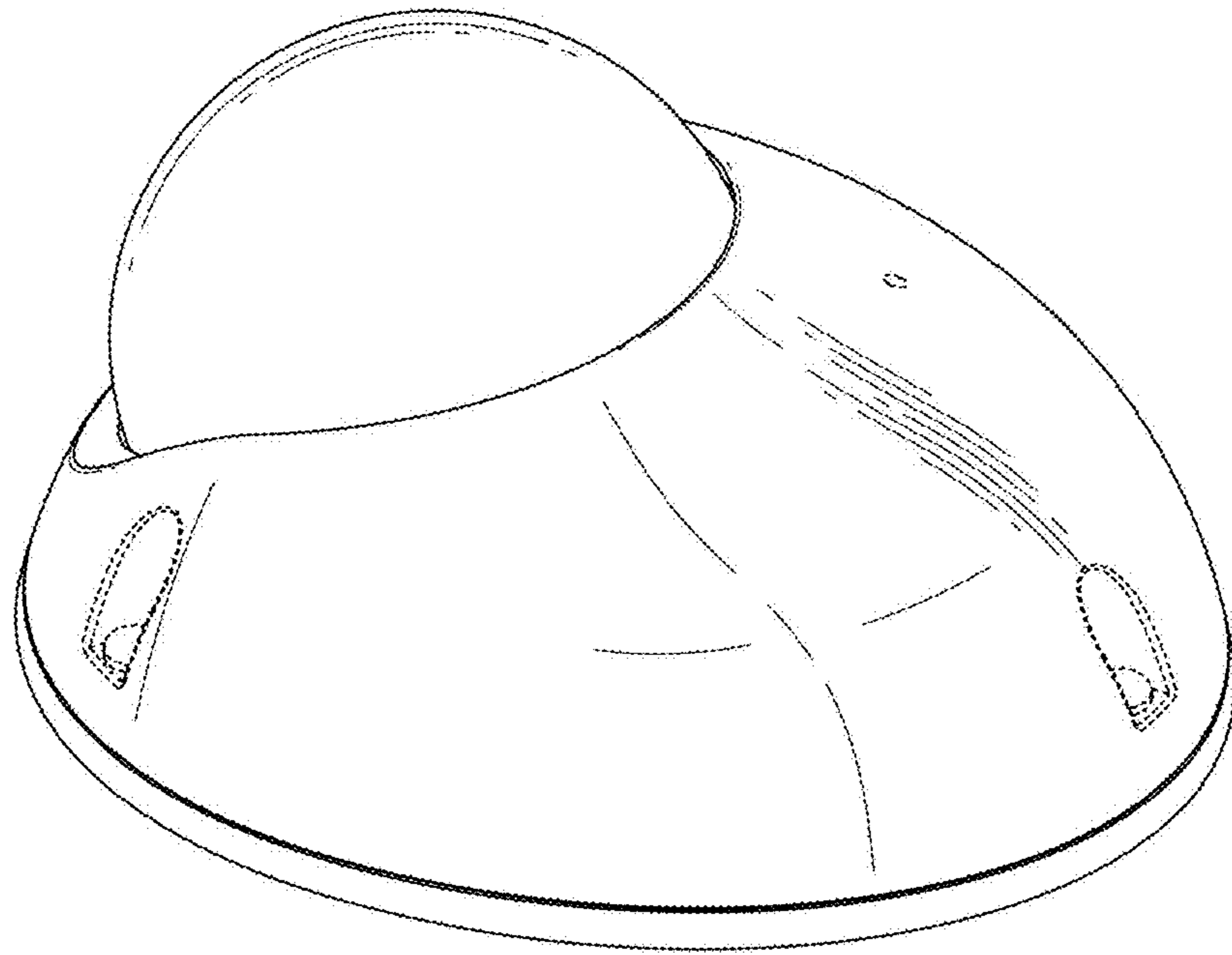


FIG. 2

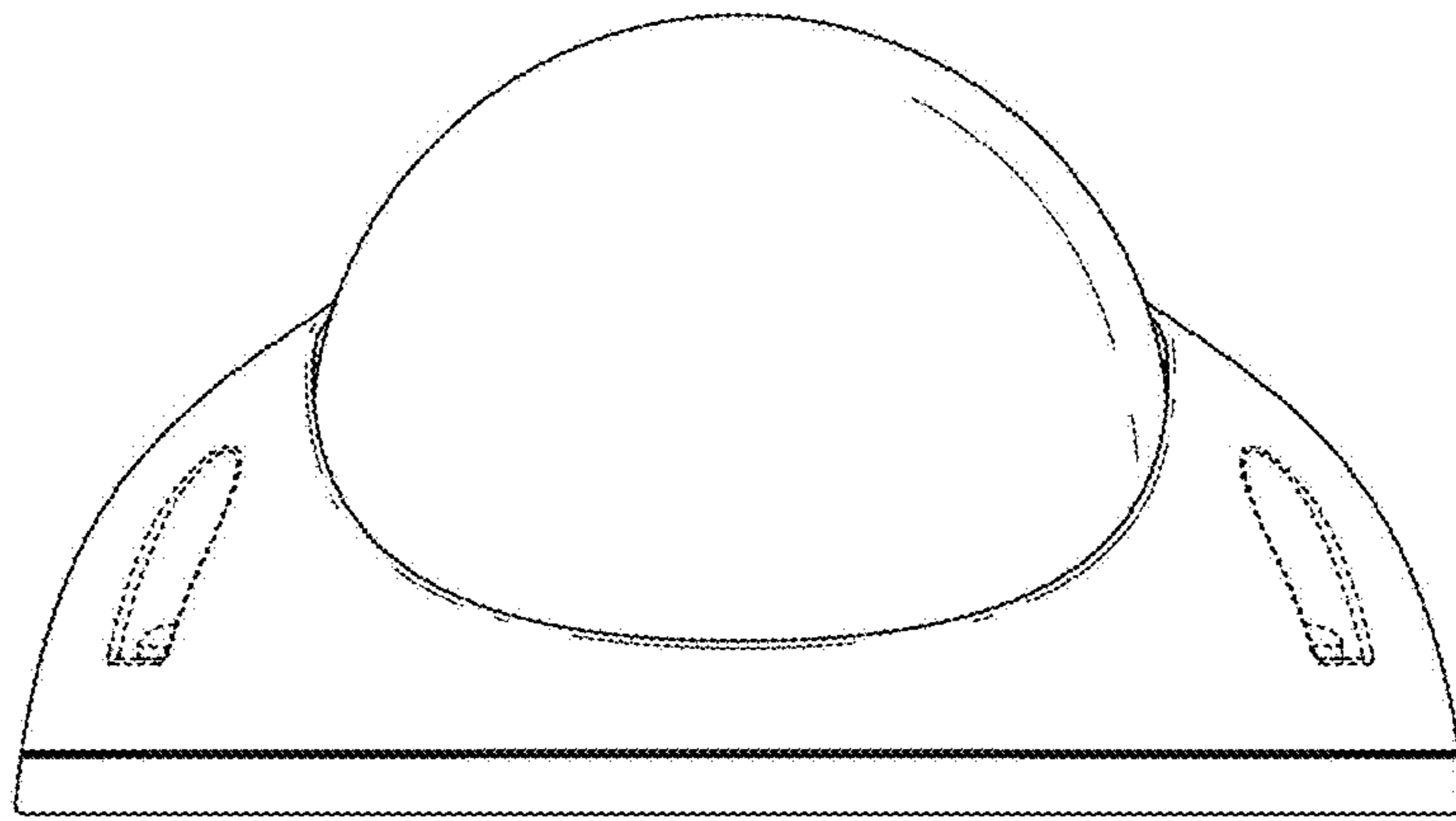


FIG. 3

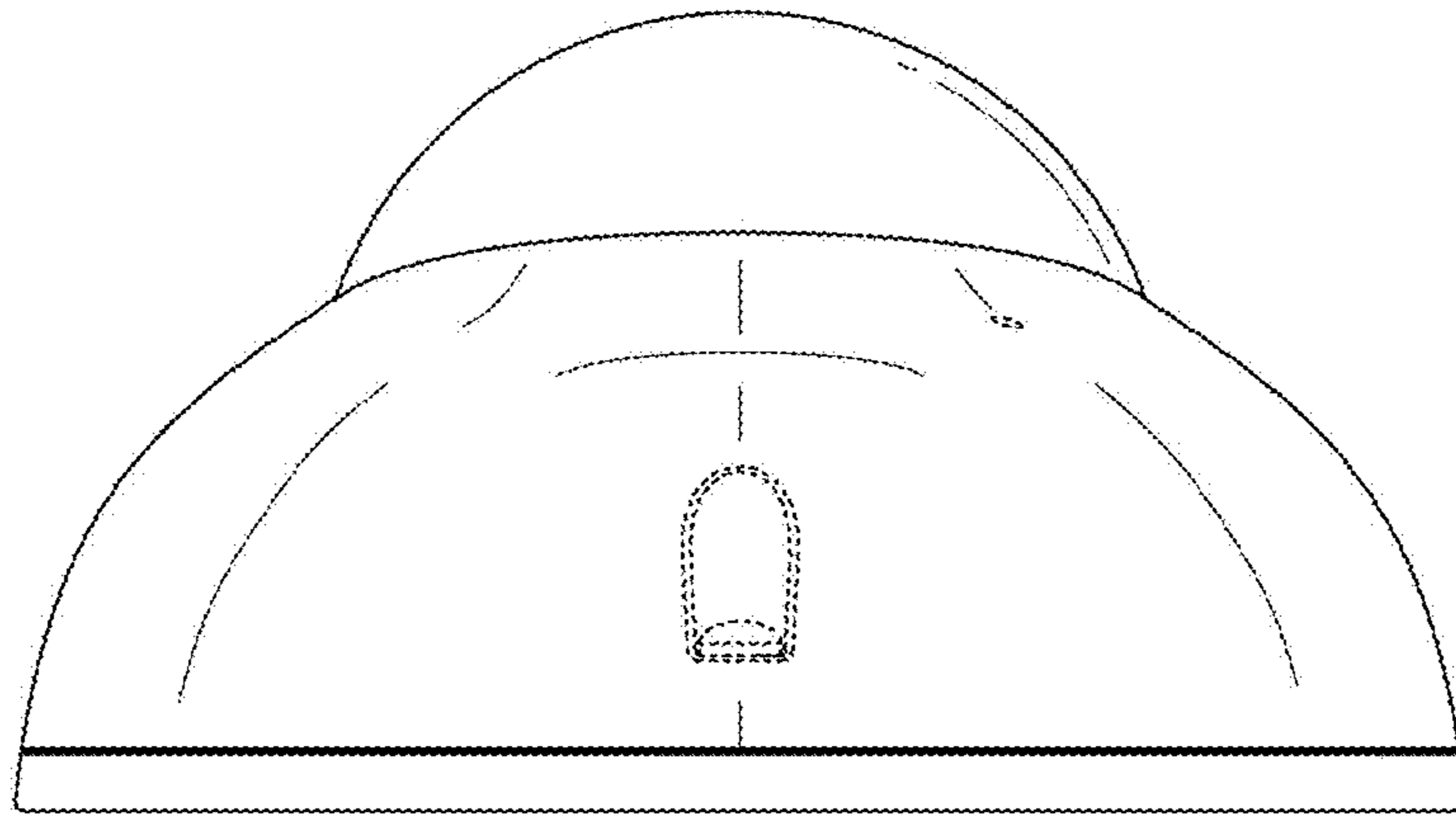


FIG. 4

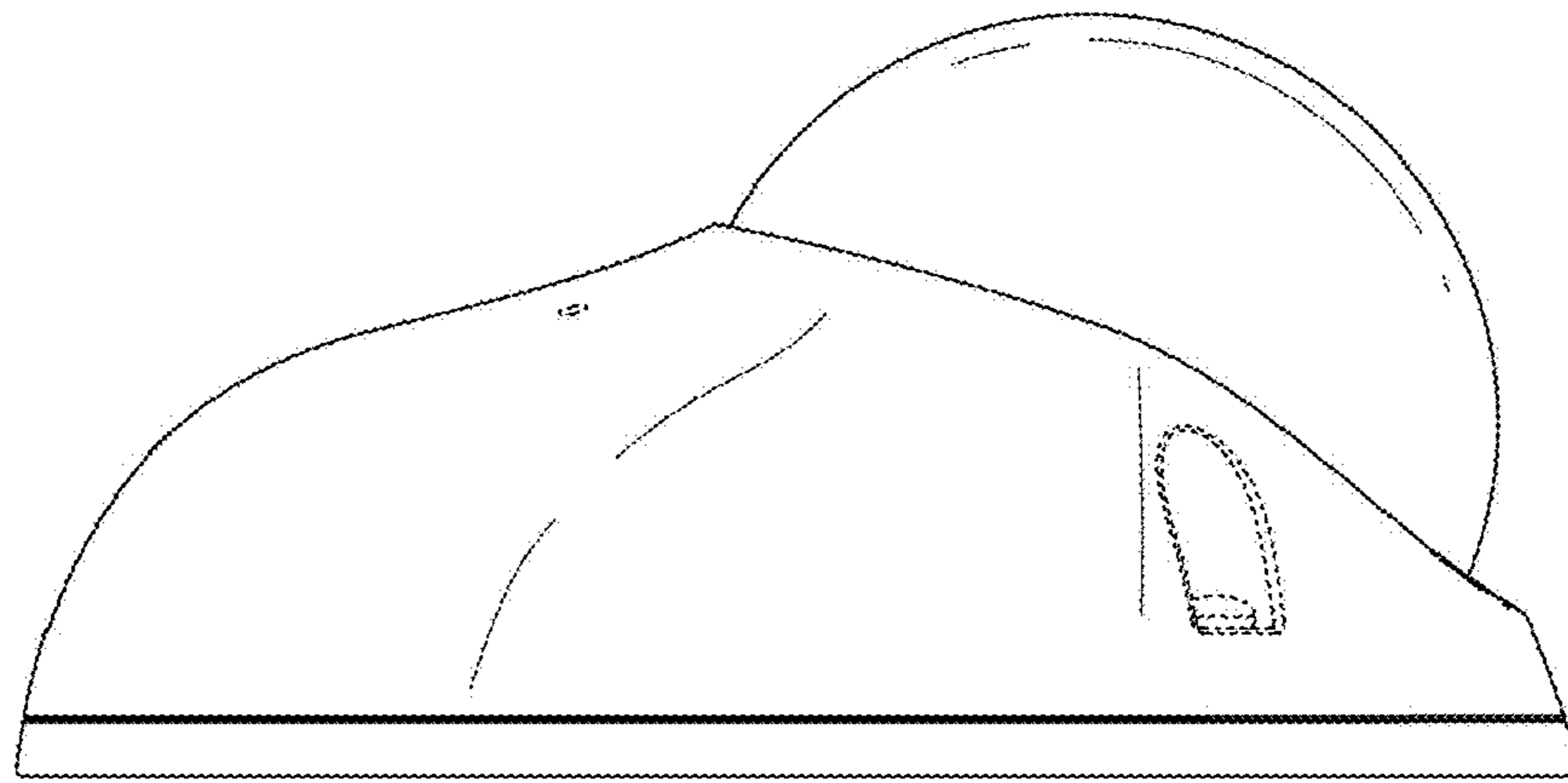


FIG. 5

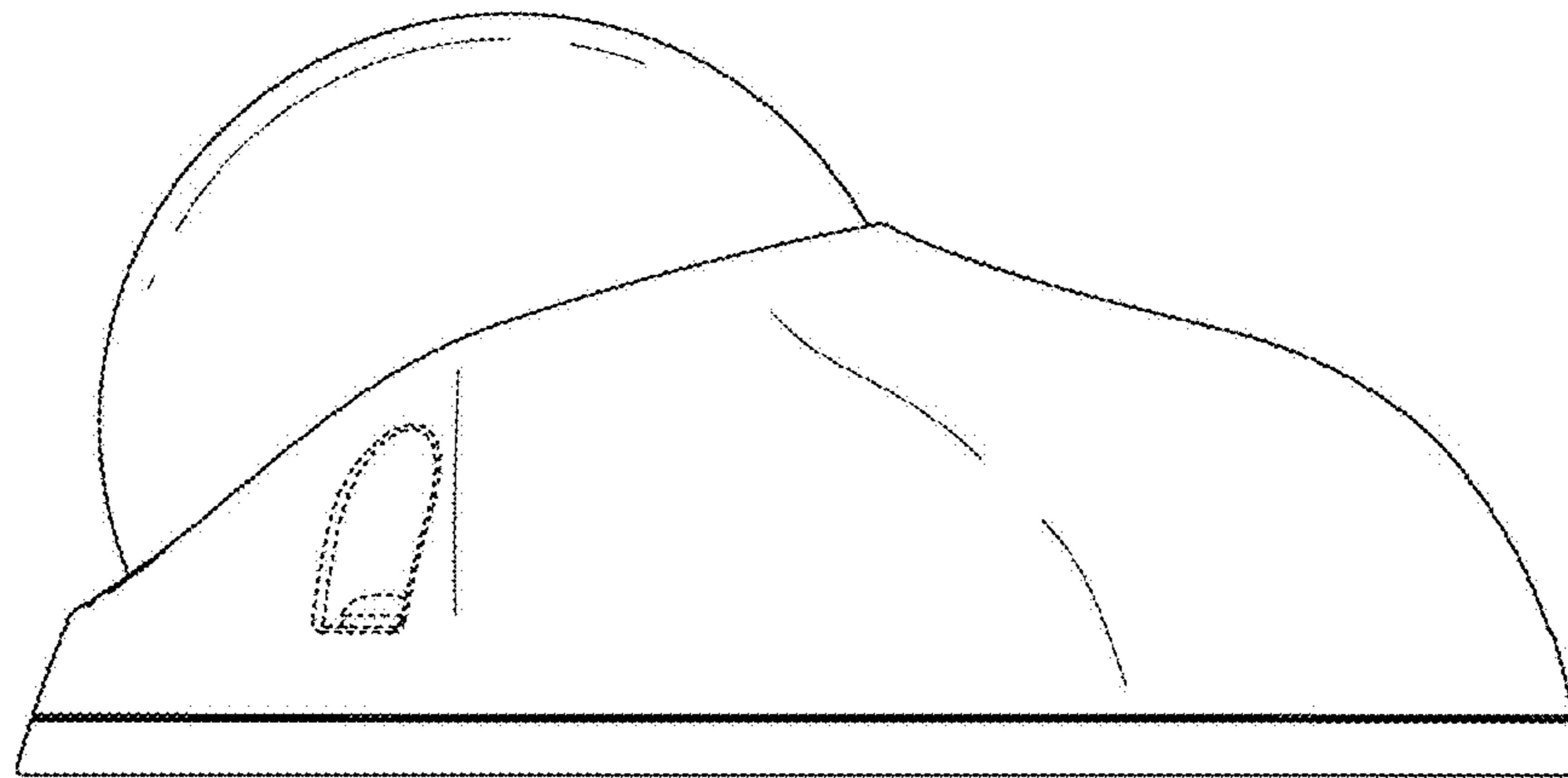


FIG. 6

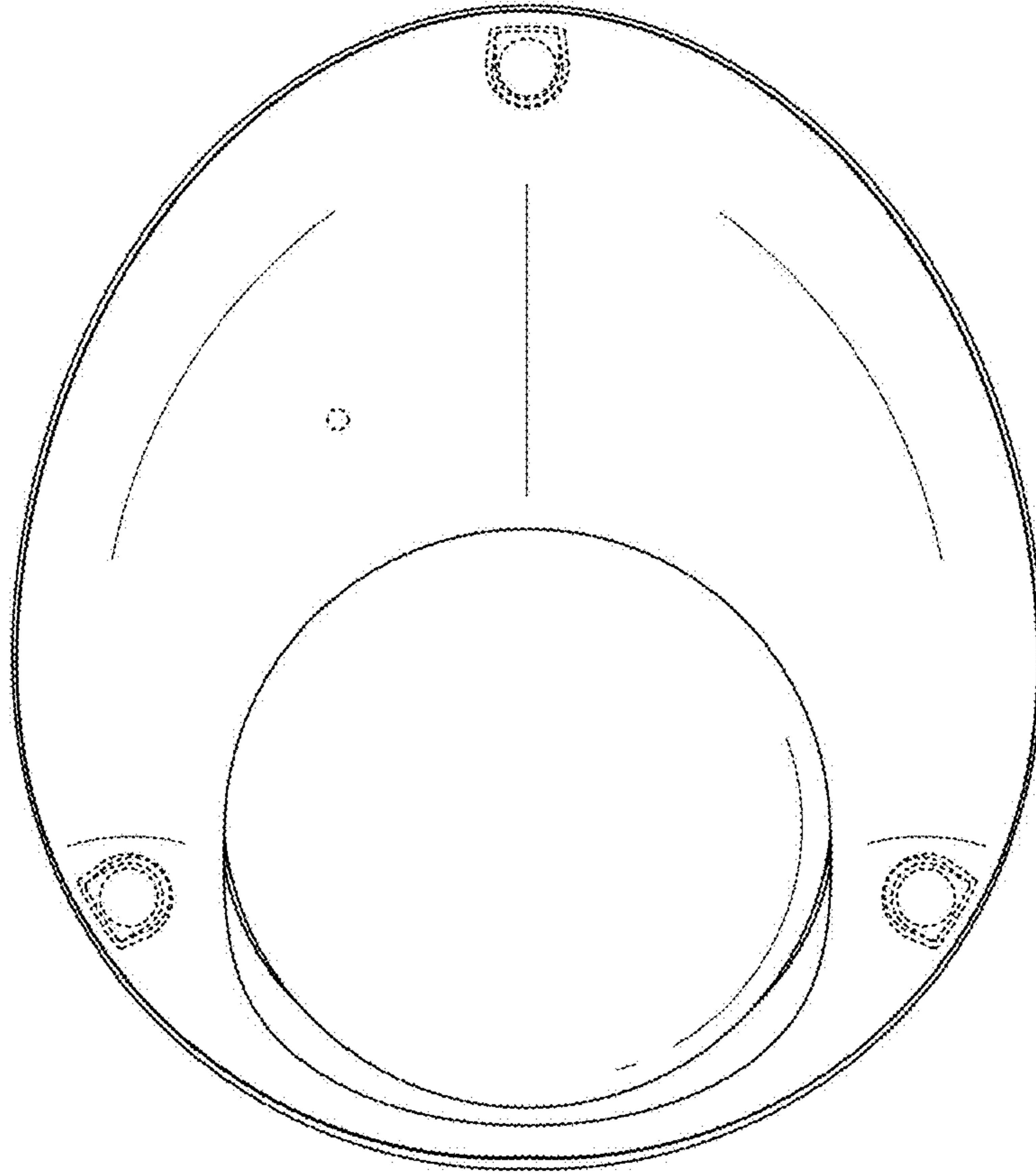


FIG. 7

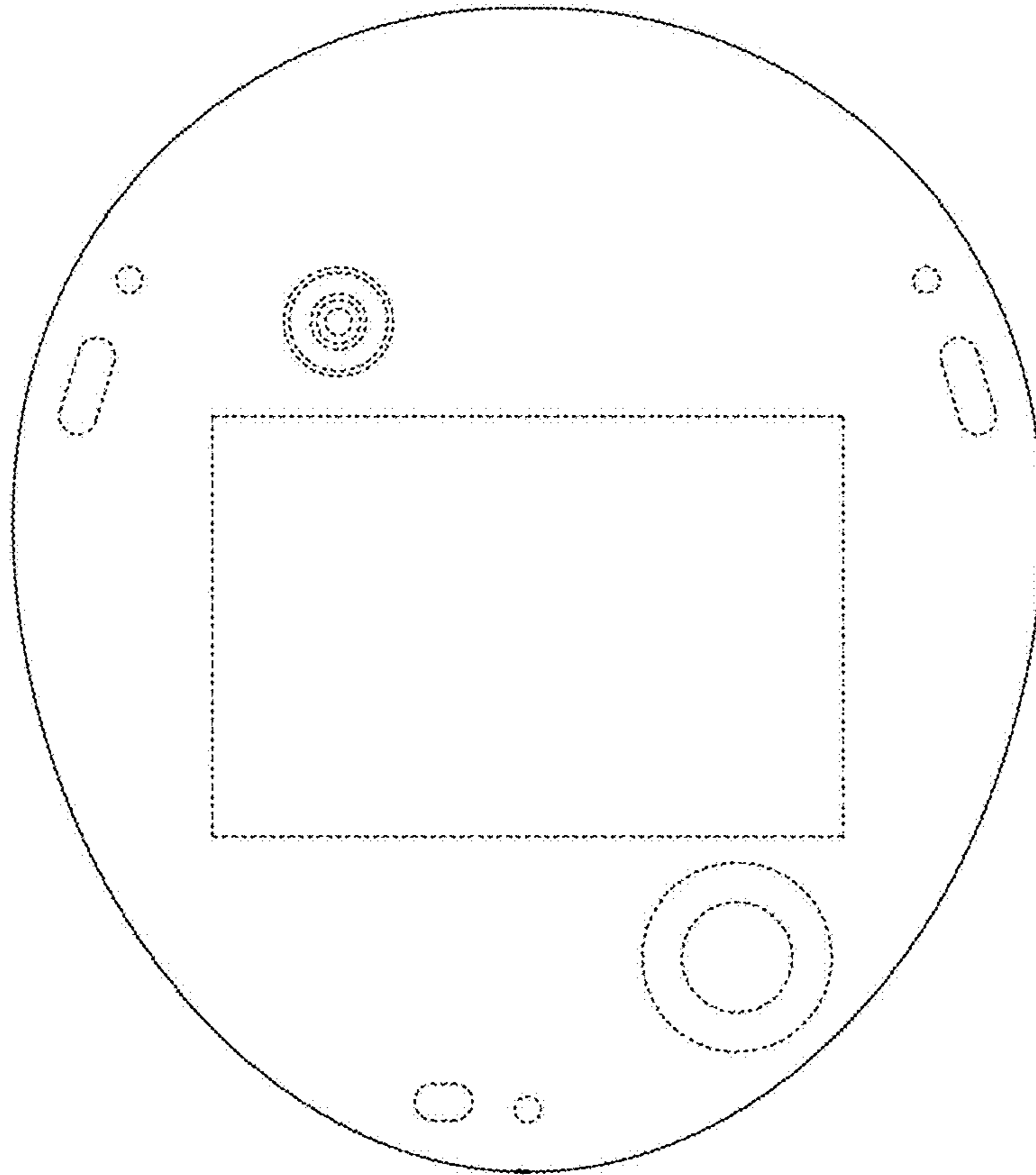


FIG. 8