



US00D880554S

(12) **United States Design Patent** (10) **Patent No.:** **US D880,554 S**  
**Yu** (45) **Date of Patent:** **\*\* Apr. 7, 2020**

(54) **CAMERA**  
(71) Applicant: **Chengfu Yu**, Irvine, CA (US)  
(72) Inventor: **Chengfu Yu**, Irvine, CA (US)  
(\*\*) Term: **15 Years**  
(21) Appl. No.: **29/633,725**  
(22) Filed: **Jan. 15, 2018**  
(51) **LOC (12) Cl.** ..... **16-01**  
(52) **U.S. Cl.**  
USPC ..... **D16/203**  
(58) **Field of Classification Search**  
USPC ..... D16/200–220, 131, 237, 242, 239, 250,  
D16/235, 130, 134, 136, 238;  
D14/138 C, 240, 248, 203.1, 203.3,  
D14/203.7; D10/104.1, 50, 65, 74, 70,  
D10/118.2  
CPC ... G02B 7/02; G02B 7/04; G02B 7/14; G02B  
3/14; G03B 17/00; G03B 17/02; G03B  
17/56; G03B 17/04; G03B 17/14; G03B  
15/03; G03B 9/08; H04N 5/2251; H04N  
5/2252; H04N 5/2253; H04N 5/2254;  
H04N 7/00; H04N 2101/00; F16M 13/00  
See application file for complete search history.

(56) **References Cited**  
U.S. PATENT DOCUMENTS  
D134,595 S \* 12/1942 van Es ..... D26/63  
3,179,791 A \* 4/1965 Mole ..... F21S 10/02  
362/283  
3,667,837 A \* 6/1972 Agrati et al. .... G03B 1/50  
352/242  
D224,233 S \* 7/1972 Fujita ..... D14/371  
D232,858 S \* 9/1974 Husby ..... D26/71  
3,838,858 A \* 10/1974 Tummescheit ..... A63F 9/24  
463/22  
D345,313 S \* 3/1994 Bedrosian ..... D10/106.6  
D358,350 S \* 5/1995 Bedrosian ..... D10/104.1

D390,612 S \* 2/1998 Brakefield ..... D16/225  
D395,715 S \* 6/1998 Queen ..... D26/24  
D405,456 S \* 2/1999 Lefkowitz ..... D16/203  
D433,432 S \* 11/2000 Prather ..... D16/202  
D467,952 S \* 12/2002 Nakamura ..... D16/202  
D468,759 S \* 1/2003 Lin ..... D16/202  
D485,853 S \* 1/2004 Daniels ..... D16/203  
D491,972 S \* 6/2004 Heath ..... D16/225  
D521,681 S \* 5/2006 Xu ..... D21/713  
D525,375 S \* 7/2006 Funck ..... D26/26  
D567,673 S \* 4/2008 Chu ..... D10/15  
D583,845 S \* 12/2008 Hayashi ..... D14/130  
D615,878 S \* 5/2010 Berliat ..... D10/22  
D662,120 S \* 6/2012 Deurwaarder ..... D16/203  
D690,344 S \* 9/2013 Hollinger ..... D16/200  
D690,872 S \* 10/2013 Meise ..... D26/88

(Continued)

*Primary Examiner* — T Chase Nelson  
*Assistant Examiner* — Mary Claire Ramirez  
(74) *Attorney, Agent, or Firm* — Arman Khosraviani

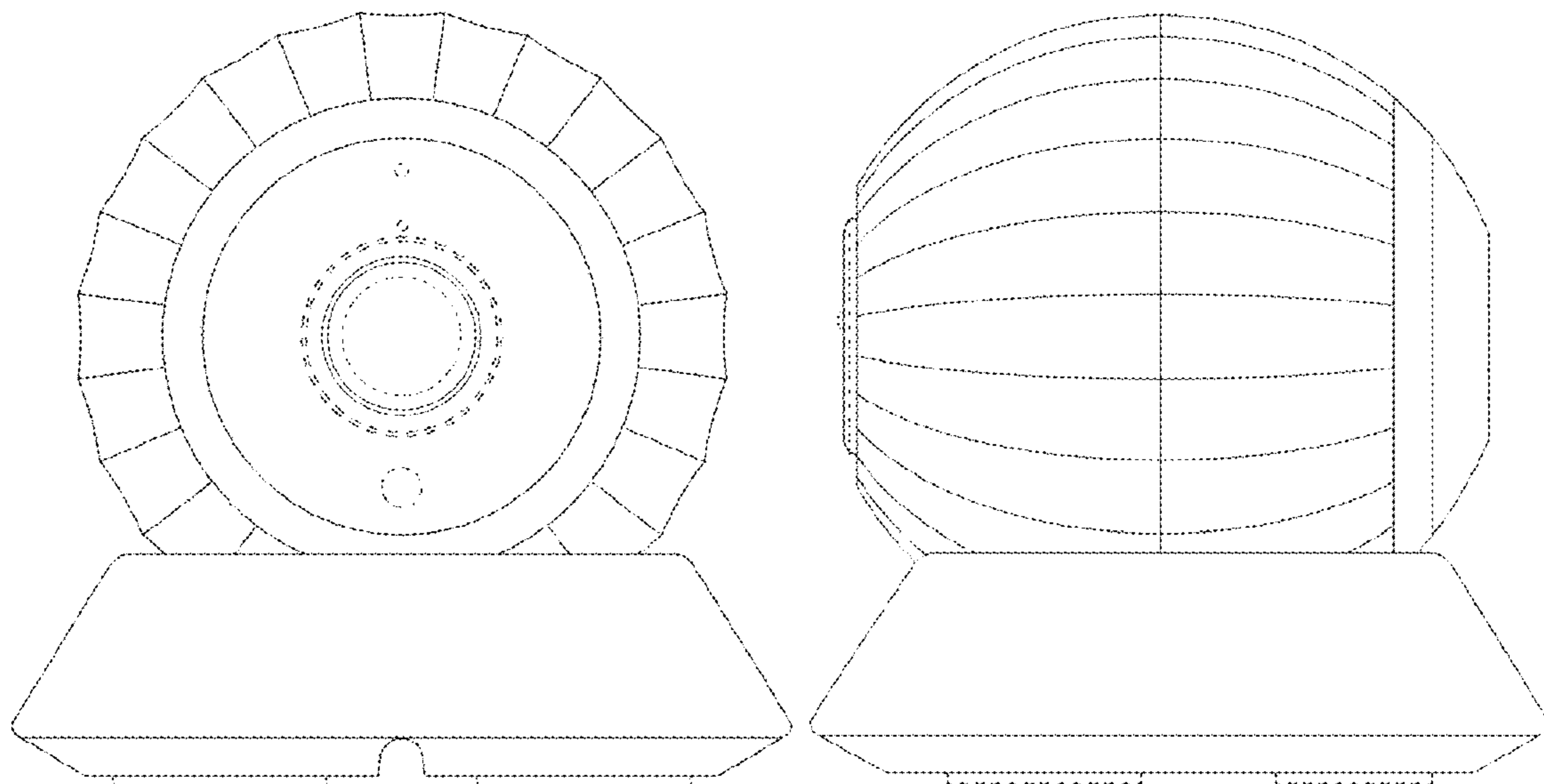
(57) **CLAIM**

The ornamental design for a camera, as shown and described.

**DESCRIPTION**

FIG. 1 is a top, front, and left side perspective view of a camera showing my new design;  
FIG. 2 is a front elevational view thereof;  
FIG. 3 is a rear elevational view thereof;  
FIG. 4 is a right side elevational view thereof;  
FIG. 5 is a left side elevational view thereof;  
FIG. 6 is a top plan view thereof;  
FIG. 7 is a bottom plan view thereof; and,  
FIG. 8 is a top, rear, right side perspective view thereof.  
The broken lines shown in the drawings depict portions of the camera that form no part of the claimed design. The broken lines showing a connector in FIGS. 2 and 8 depict environmental subject matter and forms no part of the claimed design.

**1 Claim, 8 Drawing Sheets**



(56)

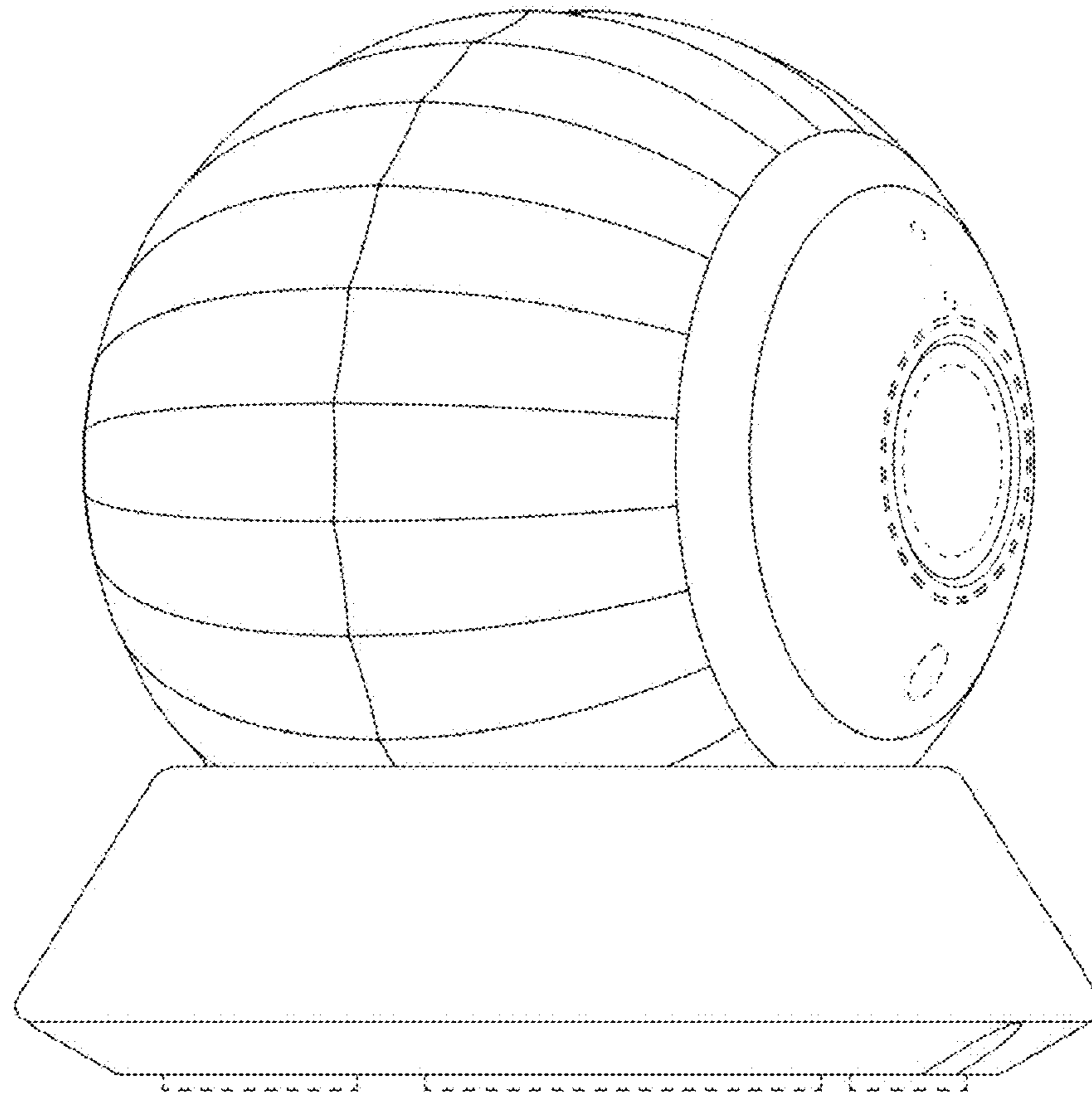
References Cited

U.S. PATENT DOCUMENTS

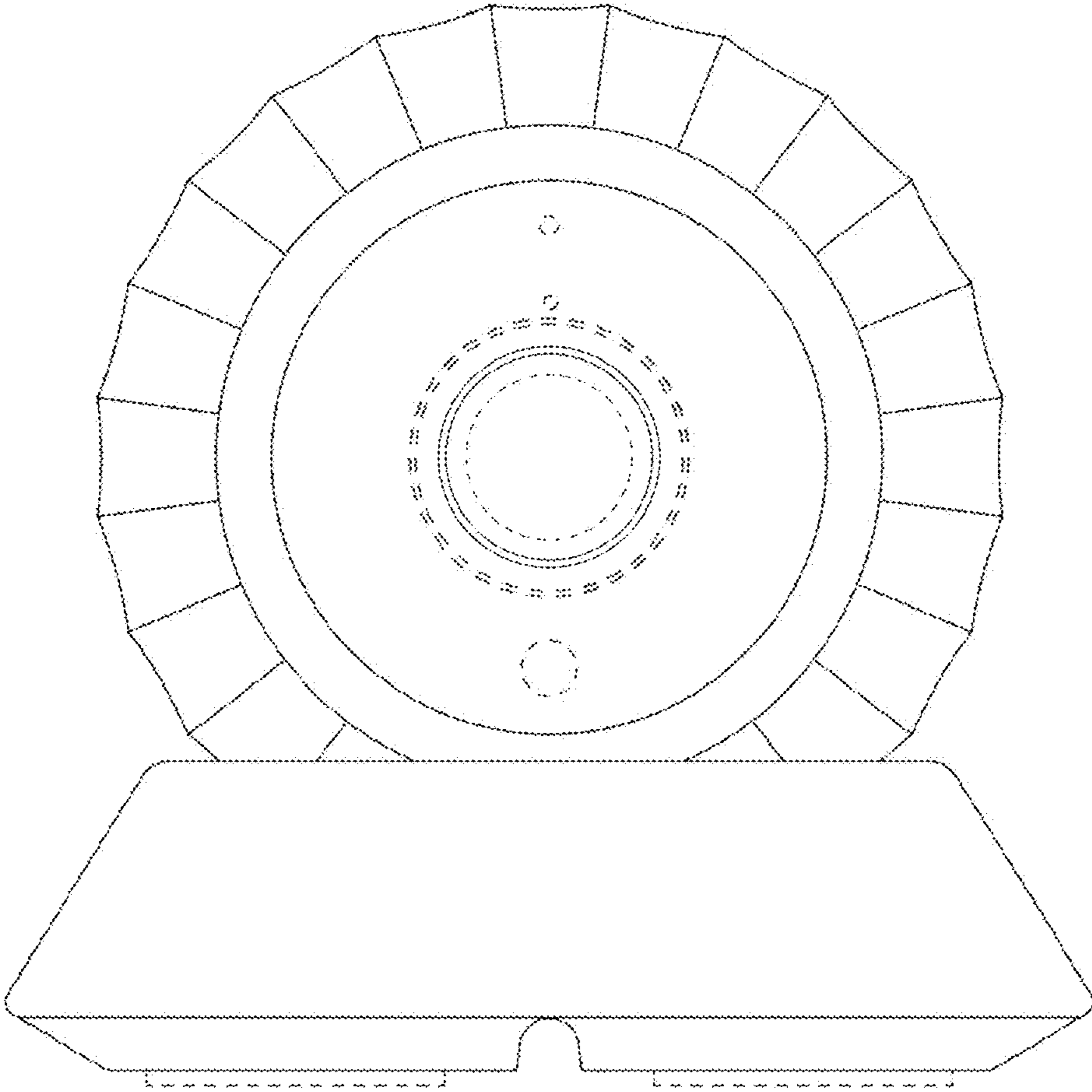
D703,364 S \* 4/2014 Meise ..... D26/87  
 D705,844 S \* 5/2014 Bart ..... D16/203  
 D730,966 S \* 6/2015 Liu ..... D16/202  
 D731,579 S \* 6/2015 Bart ..... D16/203  
 D741,931 S \* 10/2015 Huang ..... D16/202  
 D742,955 S \* 11/2015 Kozko ..... D16/207  
 D743,941 S \* 11/2015 Patsis ..... D14/216  
 D756,326 S \* 5/2016 Holzer ..... D14/171  
 D778,973 S \* 2/2017 Lee ..... D16/202  
 D785,693 S \* 5/2017 Kim ..... D16/202  
 D790,620 S \* 6/2017 Lee ..... D16/202  
 D794,106 S \* 8/2017 Wang ..... D16/203  
 D810,804 S \* 2/2018 Borel ..... D16/203  
 D816,756 S \* 5/2018 Chang ..... D16/210  
 D819,718 S \* 6/2018 Wu ..... D16/218  
 D820,125 S \* 6/2018 Chen ..... D10/70  
 D824,984 S \* 8/2018 Zhiyong ..... D16/203

D830,443 S \* 10/2018 Borel ..... D16/203  
 D833,503 S \* 11/2018 Hollinger ..... D16/203  
 D833,507 S \* 11/2018 Xie ..... D16/218  
 D836,151 S \* 12/2018 Chang ..... D16/210  
 D836,569 S \* 12/2018 Kim ..... D13/168  
 D838,305 S \* 1/2019 Chang ..... D16/203  
 D855,094 S \* 7/2019 Li ..... D15/199  
 D861,056 S \* 9/2019 Joo ..... D16/202  
 D862,776 S \* 10/2019 Bie ..... D26/110  
 D868,770 S \* 12/2019 Hohman ..... D14/253  
 2008/0056709 A1 \* 3/2008 Huang ..... G03B 37/02  
 396/427  
 2012/0263450 A1 \* 10/2012 Totani ..... B60R 11/04  
 396/428  
 2016/0127618 A1 \* 5/2016 Bart ..... H04N 5/2252  
 348/373  
 2017/0237908 A1 \* 8/2017 Ko ..... H04N 5/2257  
 386/341

\* cited by examiner

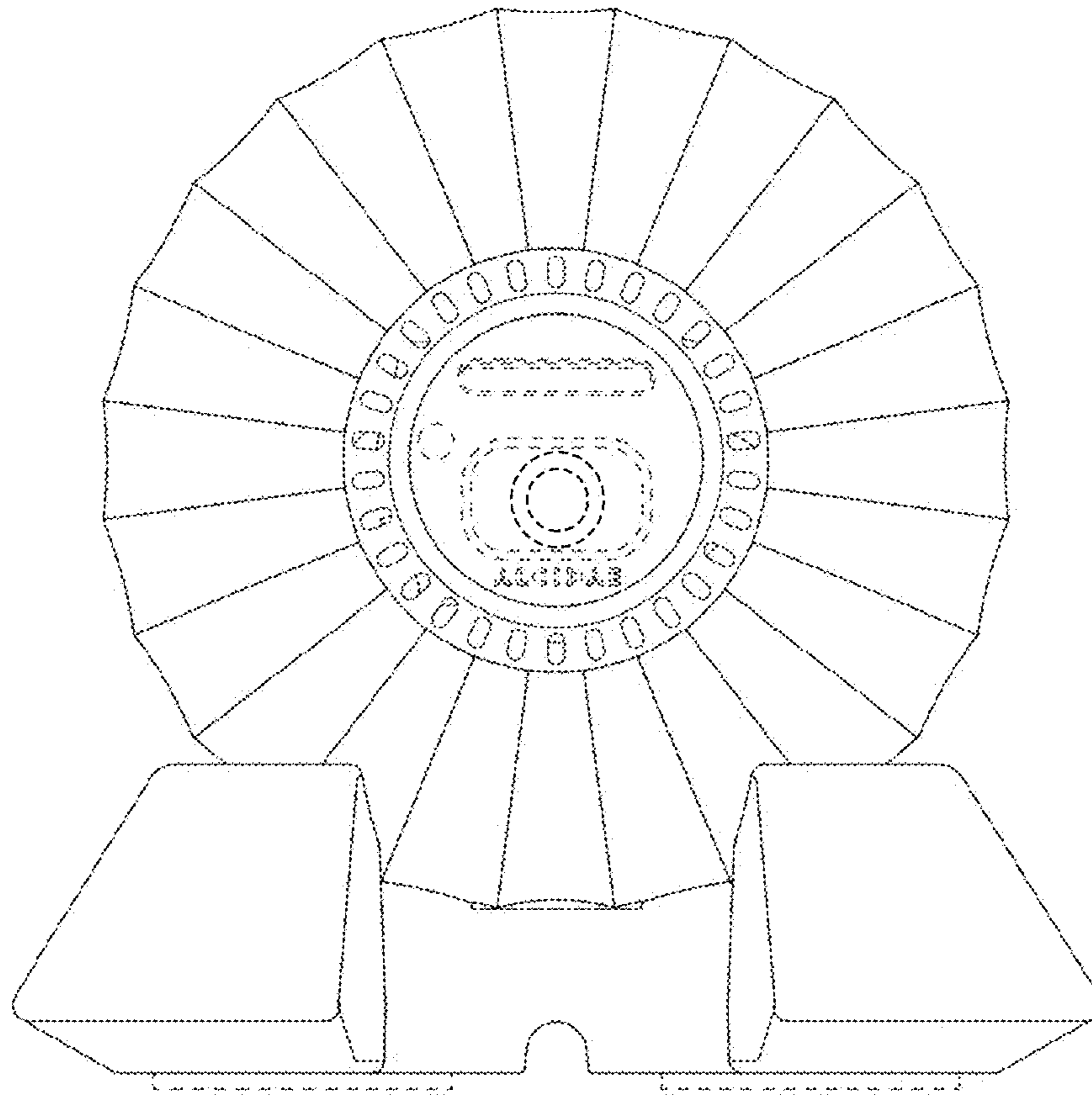


**FIG. 1**

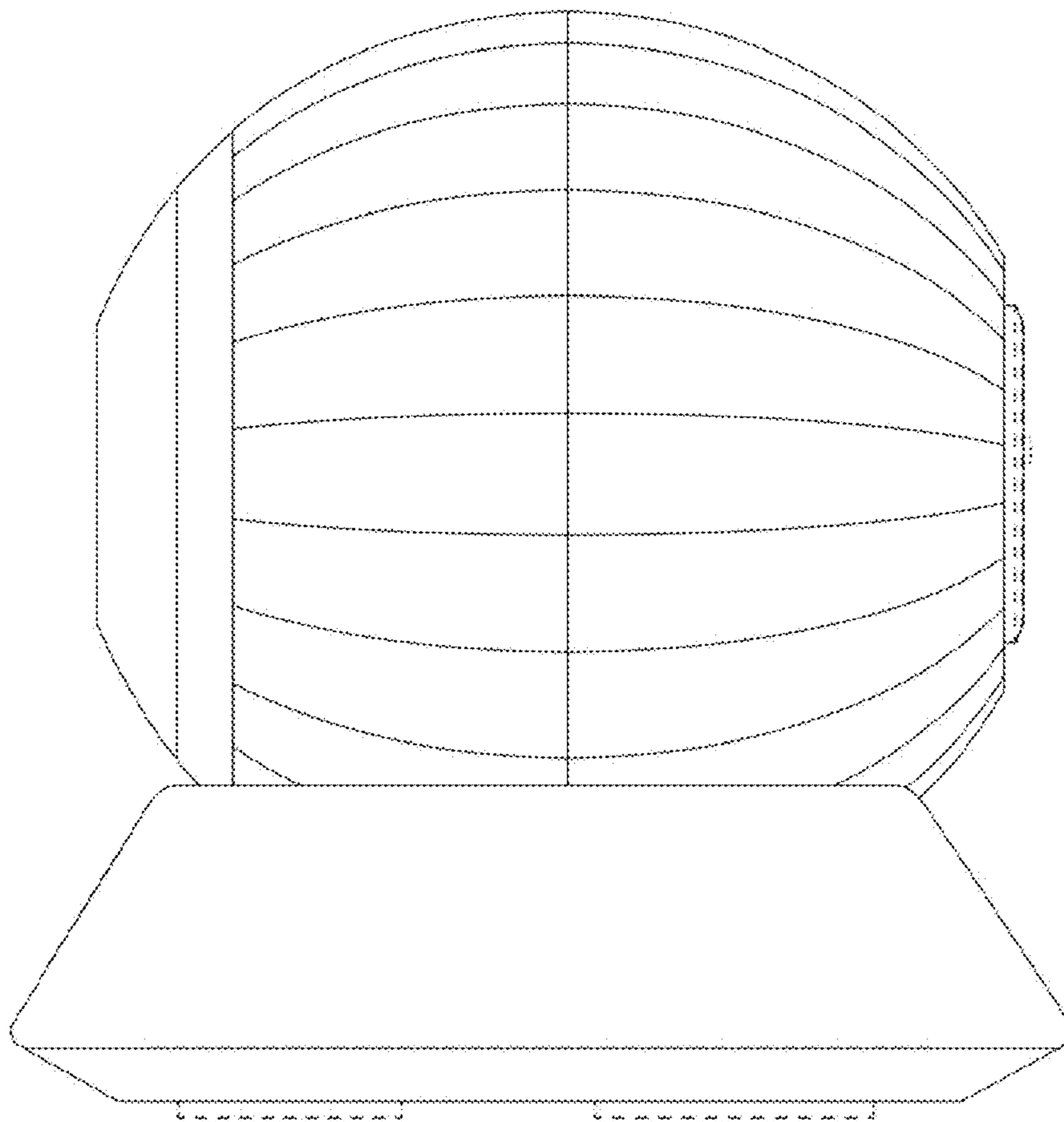


**FIG. 2**

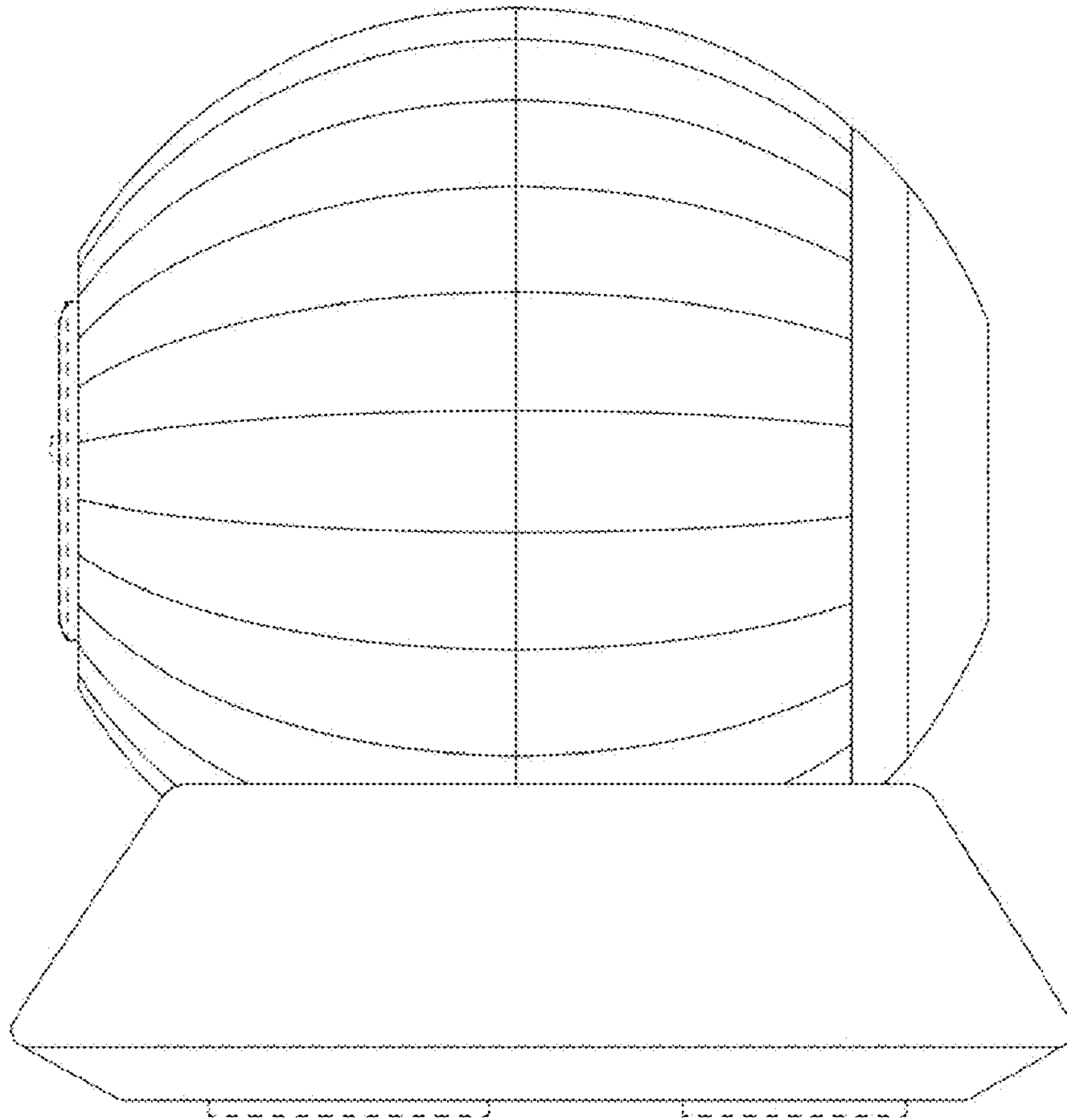




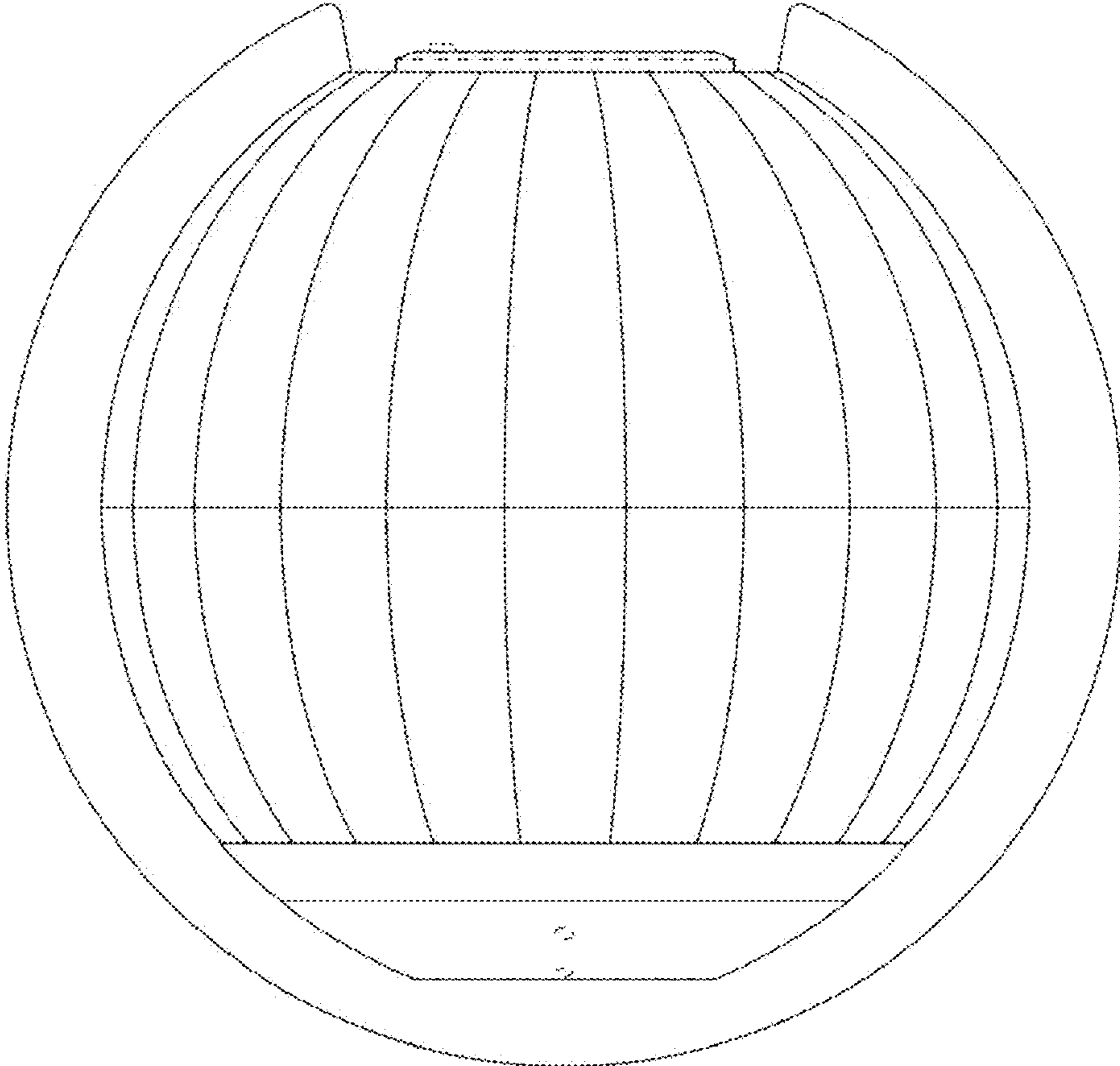
**FIG. 3**



**FIG. 4**

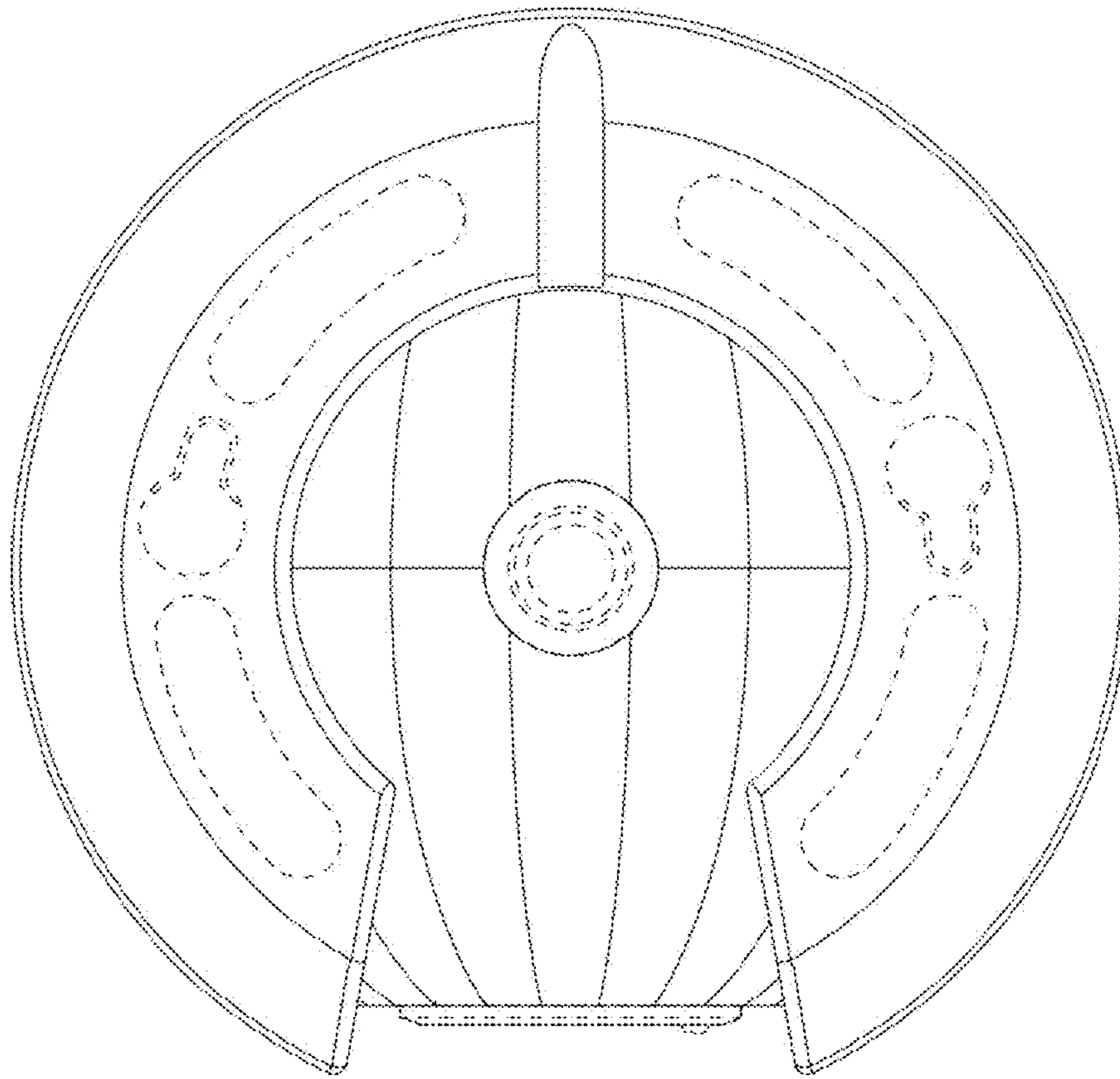


**FIG. 5**

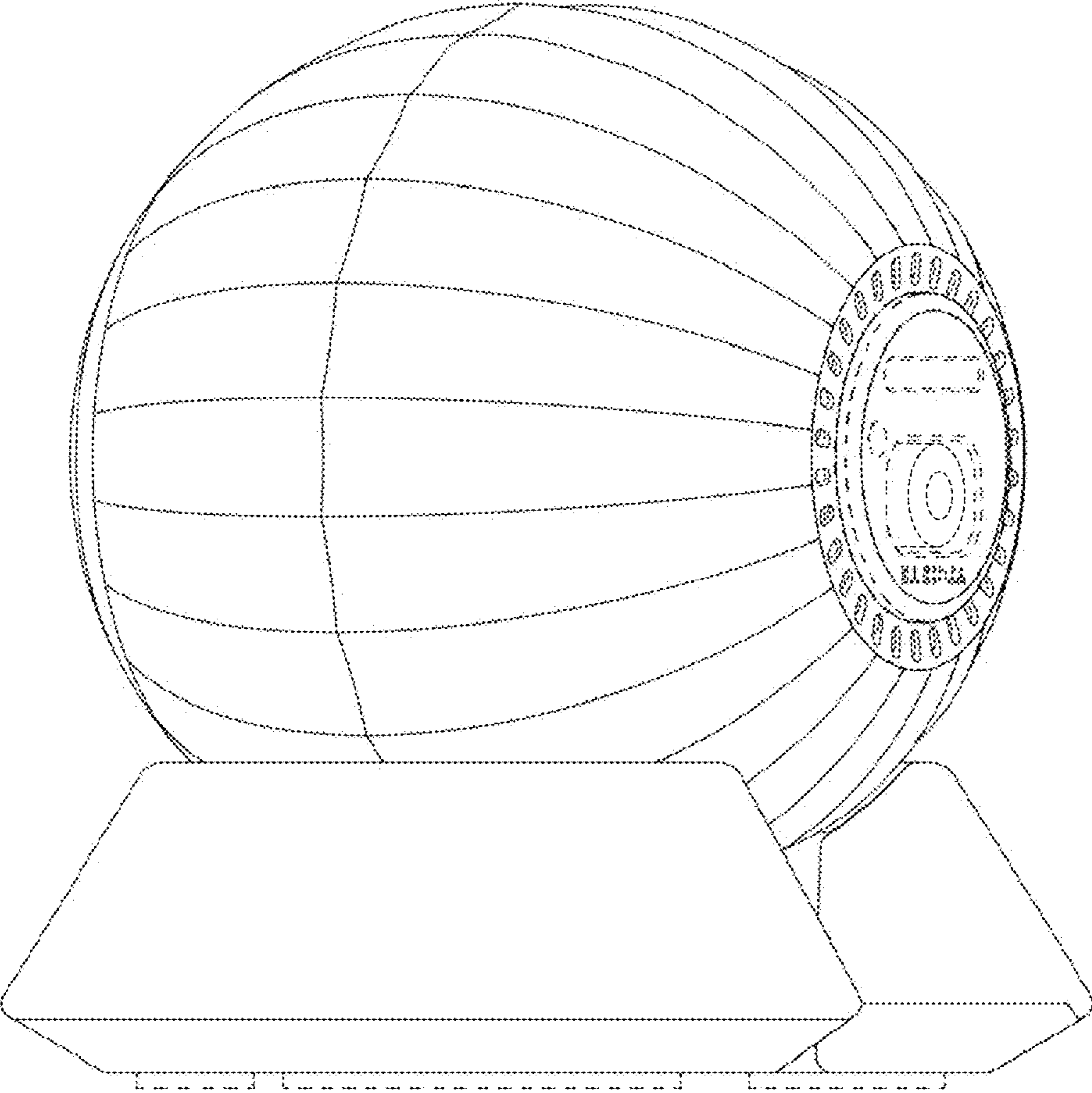


**FIG. 6**





**FIG. 7**



**FIG. 8**