



US00D880553S

(12) **United States Design Patent**
Yu

(10) **Patent No.:** **US D880,553 S**
(45) **Date of Patent:** **** Apr. 7, 2020**

(54) **CAMERA**

(71) Applicant: **Chengfu Yu**, Irvine, CA (US)

(72) Inventor: **Chengfu Yu**, Irvine, CA (US)

(**) Term: **15 Years**

(21) Appl. No.: **29/633,722**

(22) Filed: **Jan. 15, 2018**

(51) **LOC (12) Cl.** **16-01**

(52) **U.S. Cl.**
USPC **D16/203**

(58) **Field of Classification Search**
USPC D16/200–220, 131, 237, 242, 239, 250,
D16/235, 130, 134, 136, 238;
D14/138 C, 240, 248, 203.1, 203.3,
D14/203.7; D10/104.1, 50, 65, 74, 70,
D10/118.2
CPC ... G02B 7/02; G02B 7/04; G02B 7/14; G02B
3/14; G03B 17/00; G03B 17/02; G03B
17/56; G03B 17/04; G03B 17/14; G03B
15/03; G03B 9/08; H04N 5/2251; H04N
5/2252; H04N 5/2253; H04N 5/2254;
H04N 7/00; H04N 2101/00; F16M 13/00
See application file for complete search history.

(56) **References Cited**

U.S. PATENT DOCUMENTS

D134,595 S *	12/1942	Van Es	D26/63
3,179,791 A *	4/1965	Mole	F21S 10/02 362/283
3,667,837 A *	6/1972	Agrati et al.	G03B 1/50 352/242
D224,233 S *	7/1972	Fujita	D14/371
D232,858 S *	9/1974	Husby	D26/71
3,838,858 A *	10/1974	Tummescheit	A63F 9/24 463/22
D345,313 S *	3/1994	Bedrosian	D10/106.6
D358,350 S *	5/1995	Bedrosian	D10/104.1

D390,612 S *	2/1998	Brakefield	D16/225
D395,715 S *	6/1998	Queen	D26/24
D405,456 S *	2/1999	Lefkowitz	D16/203
D433,432 S *	11/2000	Prather	D16/202
D467,952 S *	12/2002	Nakamura	D16/202
D468,759 S *	1/2003	Lin	D16/202
D485,853 S *	1/2004	Daniels	D16/203
D491,972 S *	6/2004	Heath	D16/225
D521,681 S *	5/2006	Xu	D21/713
D525,375 S *	7/2006	Funck	D26/26
D567,673 S *	4/2008	Chu	D10/15
D583,845 S *	12/2008	Hayashi	D14/130
D615,878 S *	5/2010	Berliat	D10/22
D662,120 S *	6/2012	Deurwaarder	D16/203
D690,344 S *	9/2013	Hollinger	D16/200
D690,872 S *	10/2013	Meise	D26/88

(Continued)

Primary Examiner — T Chase Nelson
Assistant Examiner — Mary Claire Ramirez
(74) *Attorney, Agent, or Firm* — Arman Khosraviani

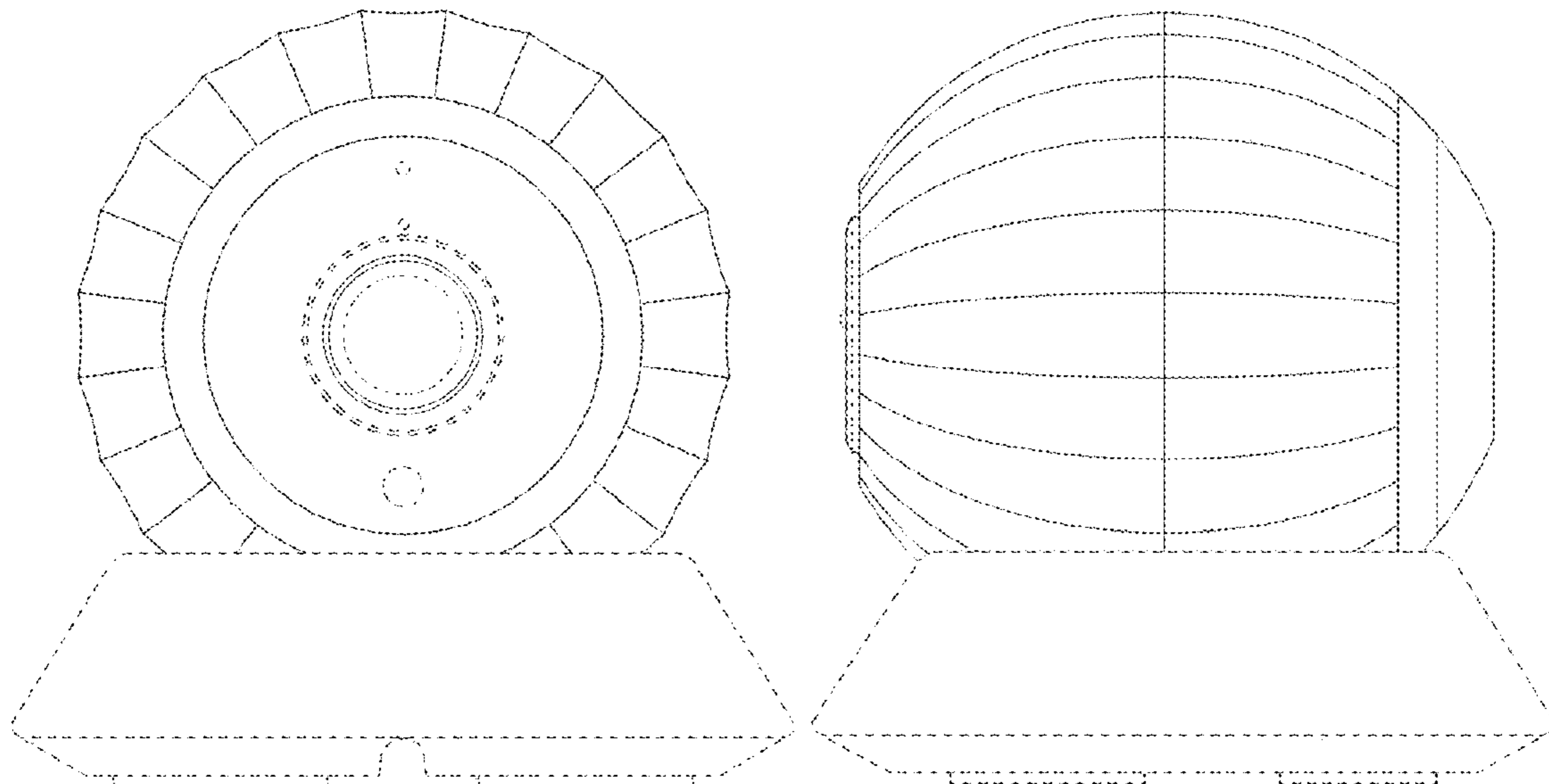
(57) **CLAIM**

The ornamental design for a camera, as shown and described.

DESCRIPTION

FIG. 1 is a top, front, and left side perspective view of a camera showing my new design;
FIG. 2 is a front elevational view thereof;
FIG. 3 is a rear elevational view thereof.
FIG. 4 is a right side elevational view thereof;
FIG. 5 is a left side elevational view thereof;
FIG. 6 is a top plan view thereof;
FIG. 7 is a bottom plan view thereof; and,
FIG. 8 is a top, rear, right side perspective view thereof.
The broken lines shown in the drawings depict portions of the camera that form no part of the claimed design. The broken lines showing a connector in FIGS. 2 and 8 depict environmental subject matter and forms no part of the claimed design.

1 Claim, 8 Drawing Sheets



(56)

References Cited

U.S. PATENT DOCUMENTS

D703,364	S *	4/2014	Meise	D26/87
D705,844	S *	5/2014	Bart	D16/203
D730,966	S *	6/2015	Liu	D16/202
D731,579	S *	6/2015	Bart	D16/203
D741,931	S *	10/2015	Huang	D16/202
D742,955	S *	11/2015	Kozko	D16/207
D743,941	S *	11/2015	Patsis	D14/216
D756,326	S *	5/2016	Holzer	D14/171
D778,973	S *	2/2017	Lee	D16/202
D785,693	S *	5/2017	Kim	D16/202
D790,620	S *	6/2017	Lee	D16/202
D794,106	S *	8/2017	Wang	D16/203
D810,804	S *	2/2018	Borel	D16/203
D816,756	S *	5/2018	Chang	D16/210
D819,718	S *	6/2018	Wu	D16/218
D820,125	S *	6/2018	Chen	D10/70
D824,984	S *	8/2018	Zhiyong	D16/203
D830,443	S *	10/2018	Borel	D16/203
D833,503	S *	11/2018	Hollinger	D16/203
D833,507	S *	11/2018	Xie	D16/218
D836,151	S *	12/2018	Chang	D16/210
D836,569	S *	12/2018	Kim	D13/168
D838,305	S *	1/2019	Chang	D16/203
D855,094	S *	7/2019	Li	D15/199
D861,056	S *	9/2019	Joo	D16/202
D862,776	S *	10/2019	Bie	D26/110
D868,770	S *	12/2019	Hohman	D14/253
2008/0056709	A1 *	3/2008	Huang	G03B 37/02 396/427
2012/0263450	A1 *	10/2012	Totani	B60R 11/04 396/428
2016/0127618	A1 *	5/2016	Bart	H04N 5/2252 348/373
2017/0237908	A1 *	8/2017	Ko	H04N 5/2257 386/341

* cited by examiner

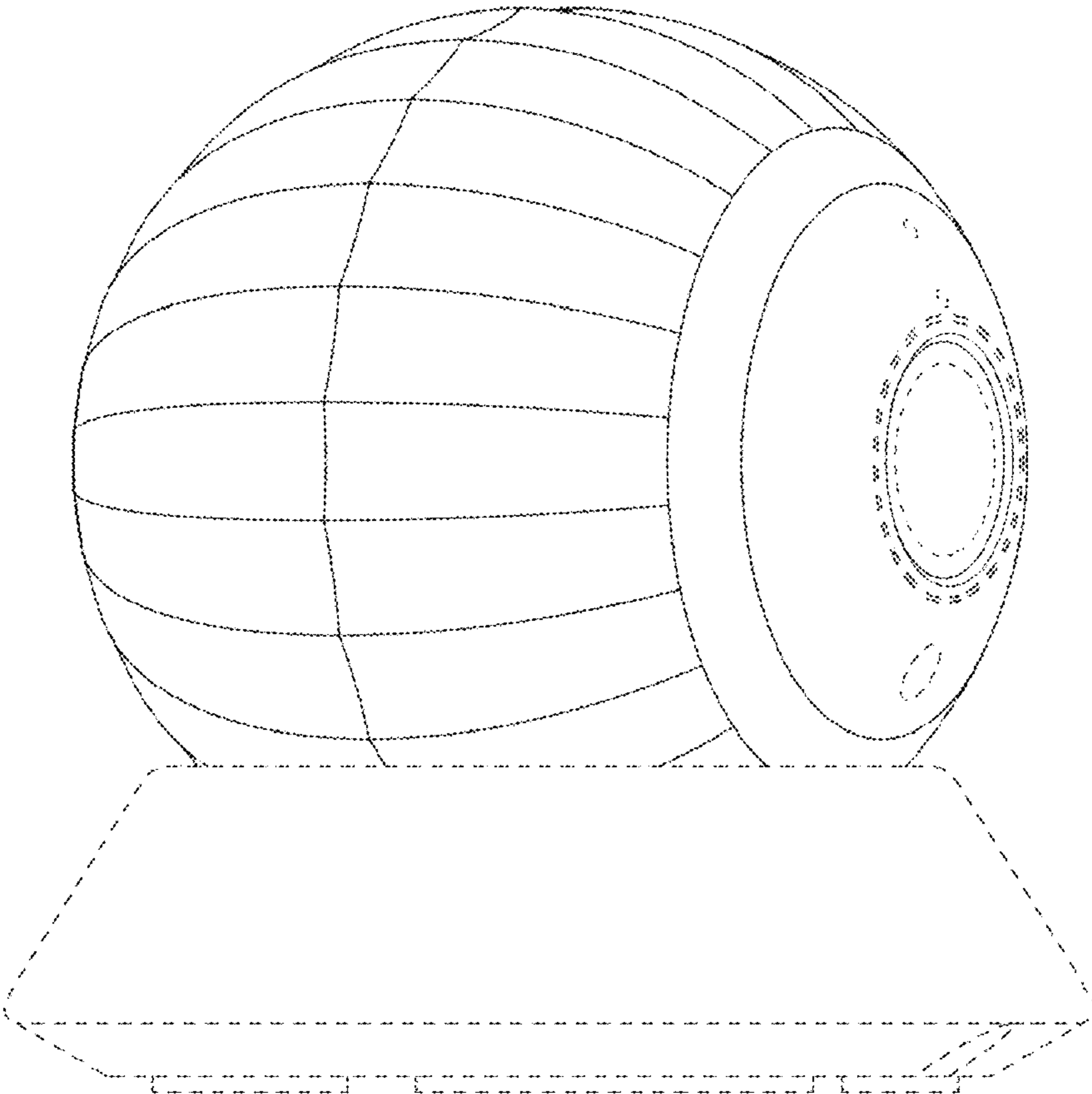


FIG. 1

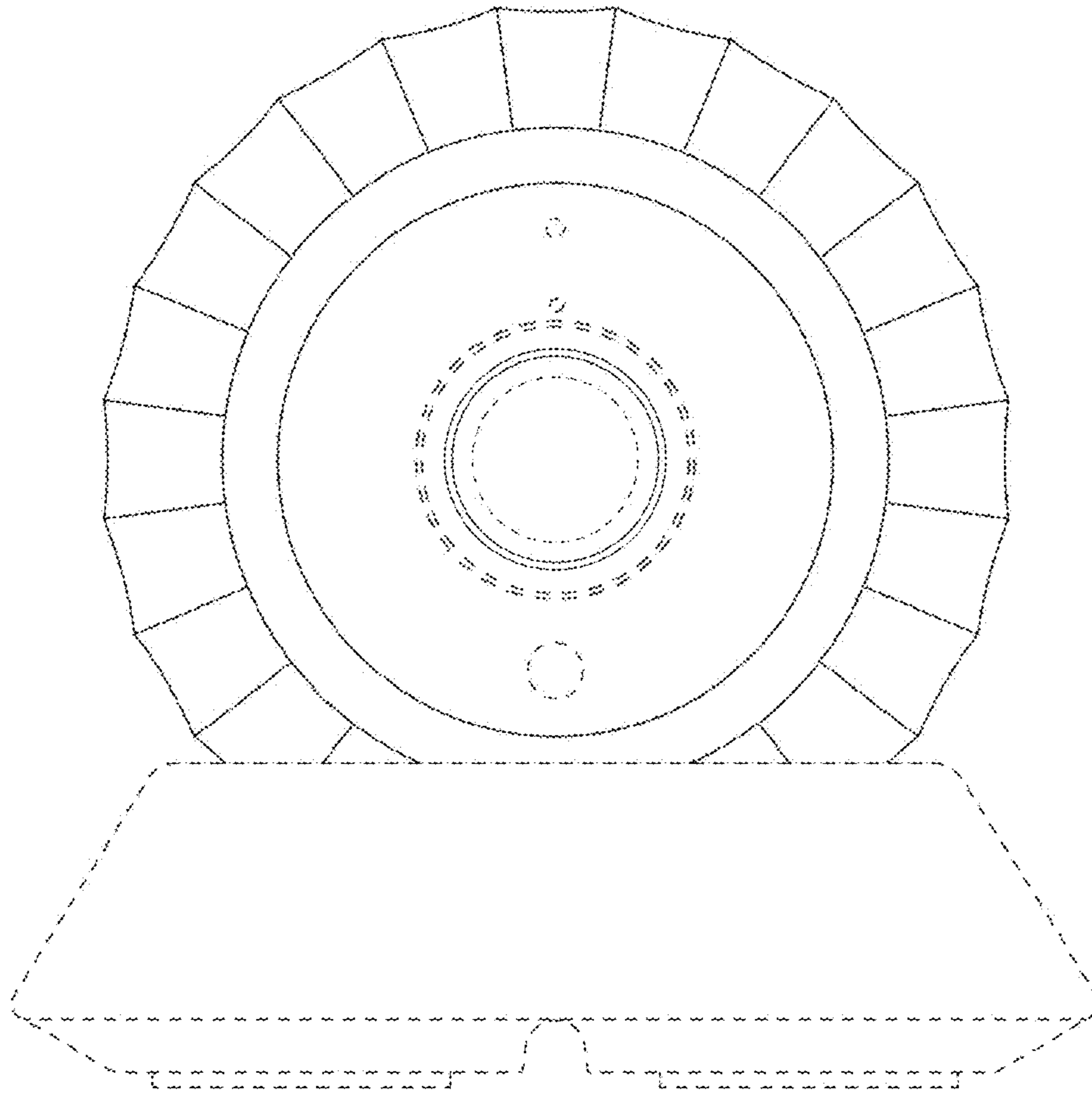


FIG. 2

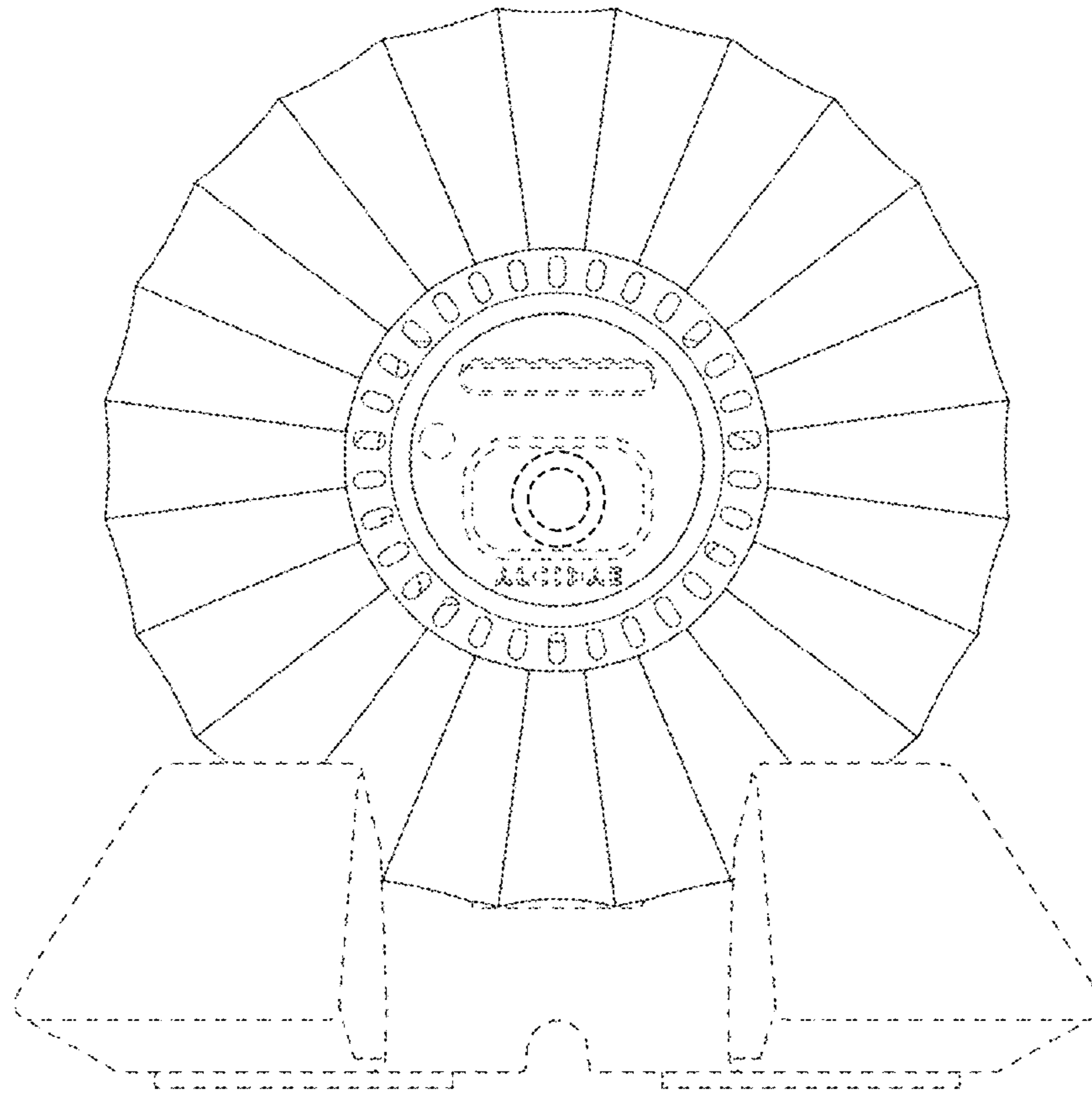


FIG. 3

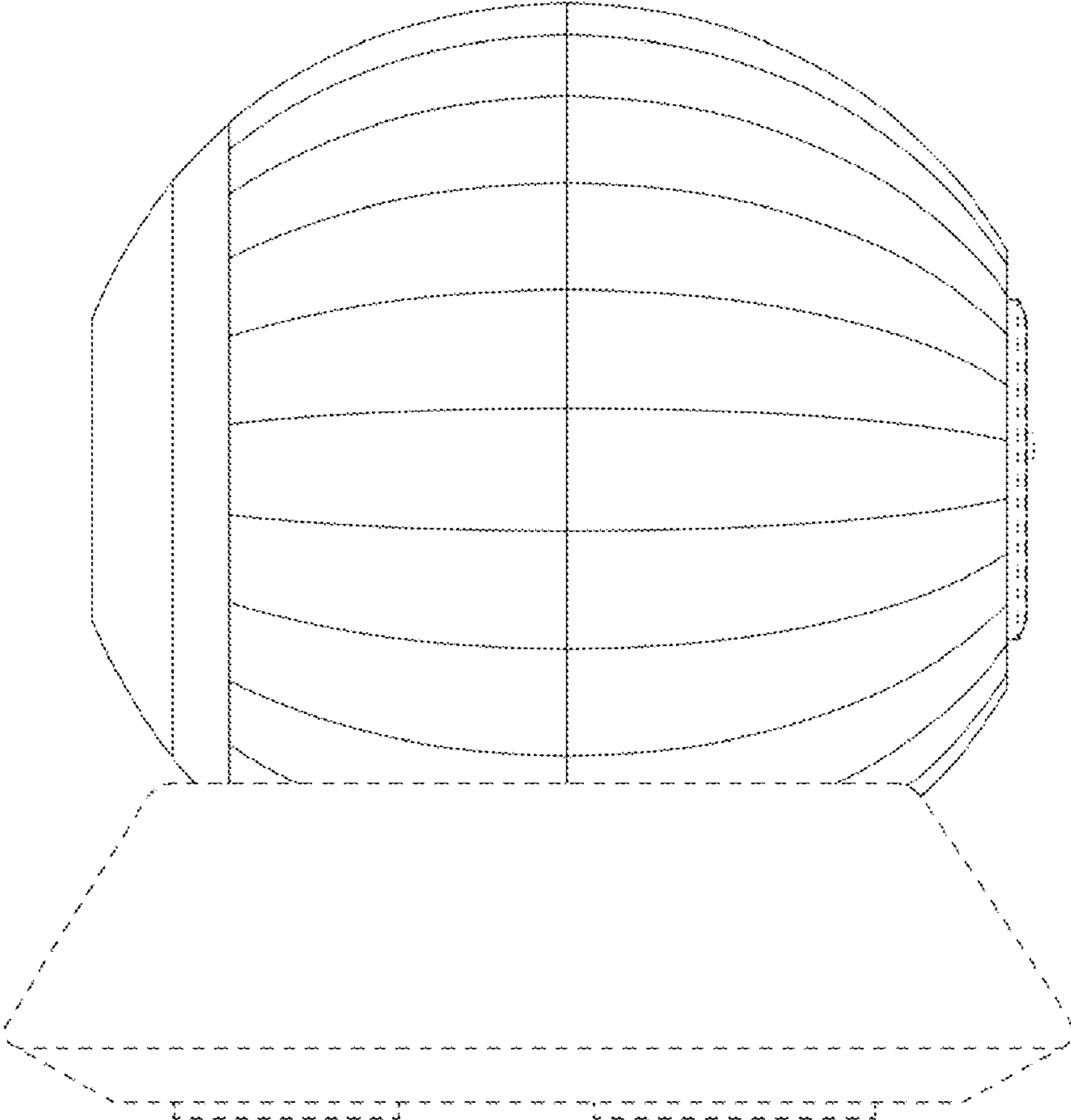


FIG. 4

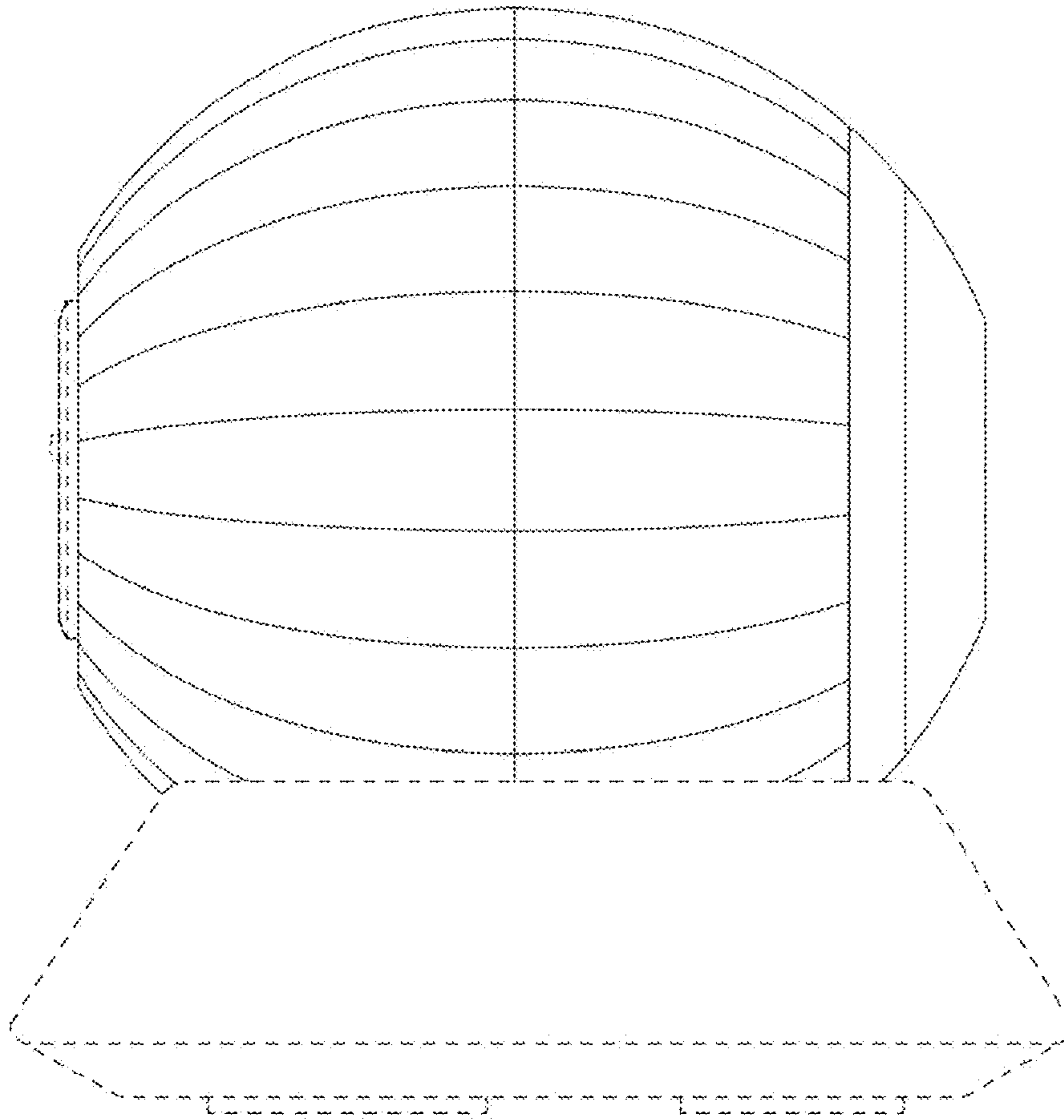


FIG. 5

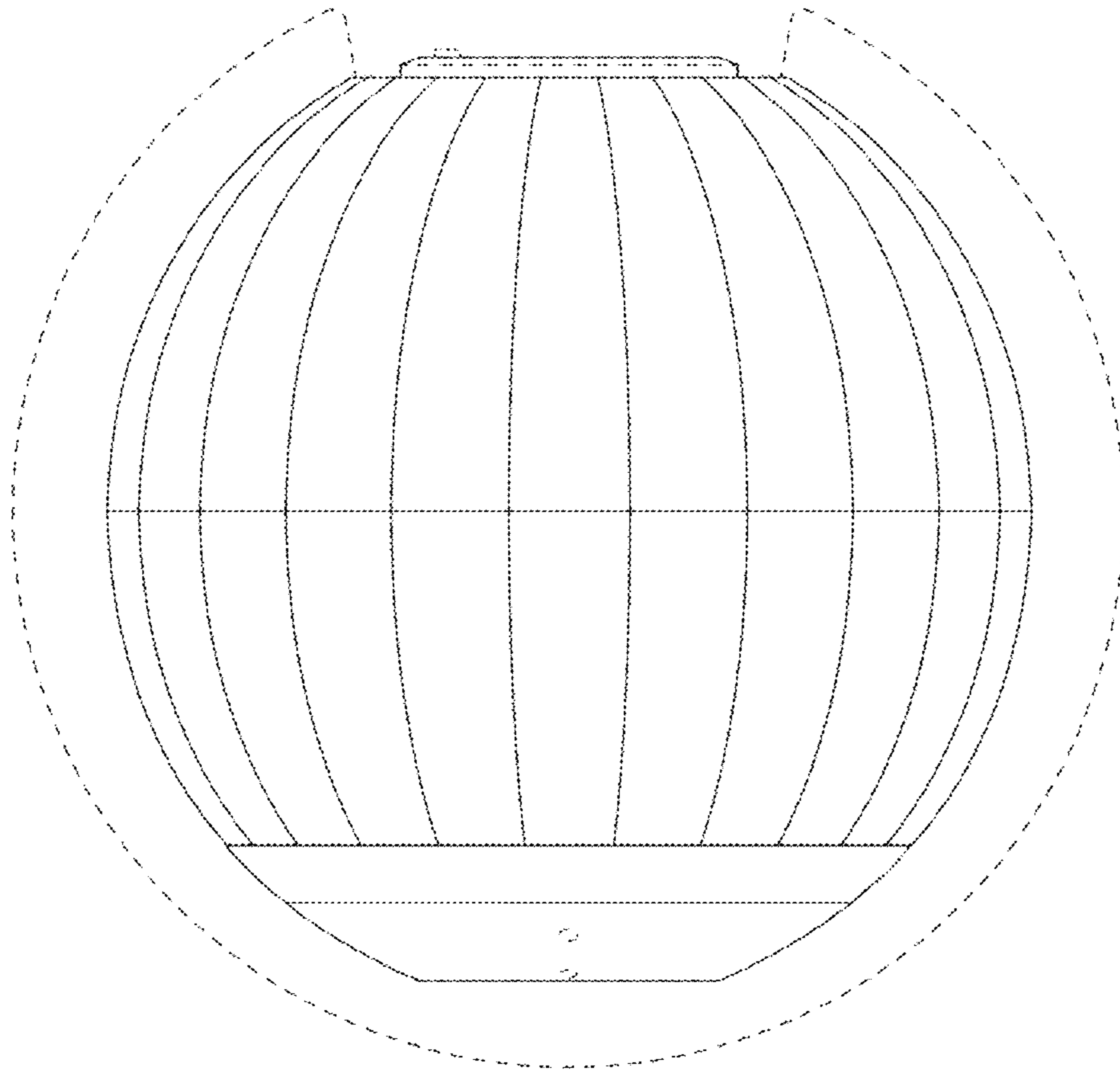


FIG. 6

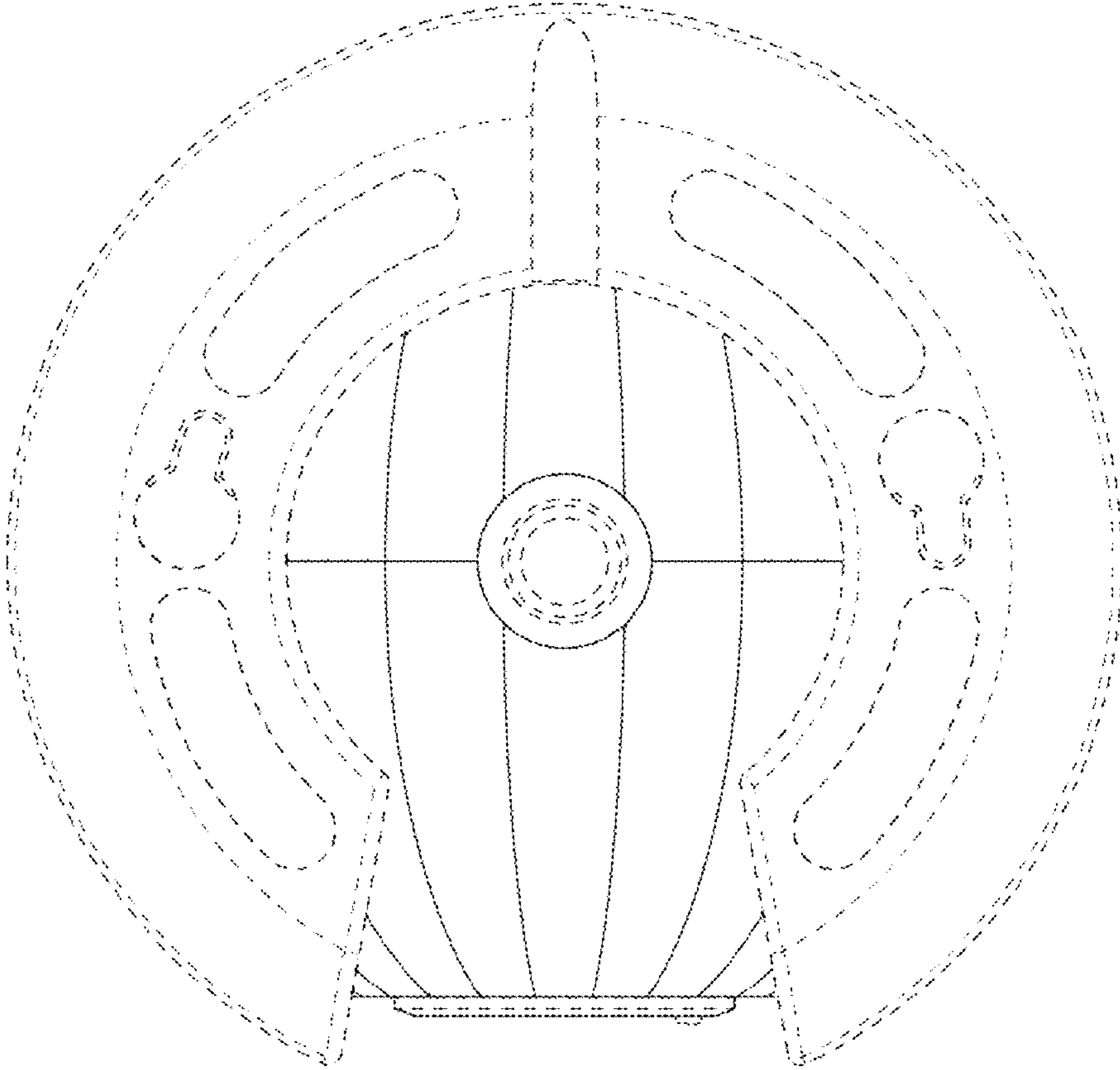


FIG. 7

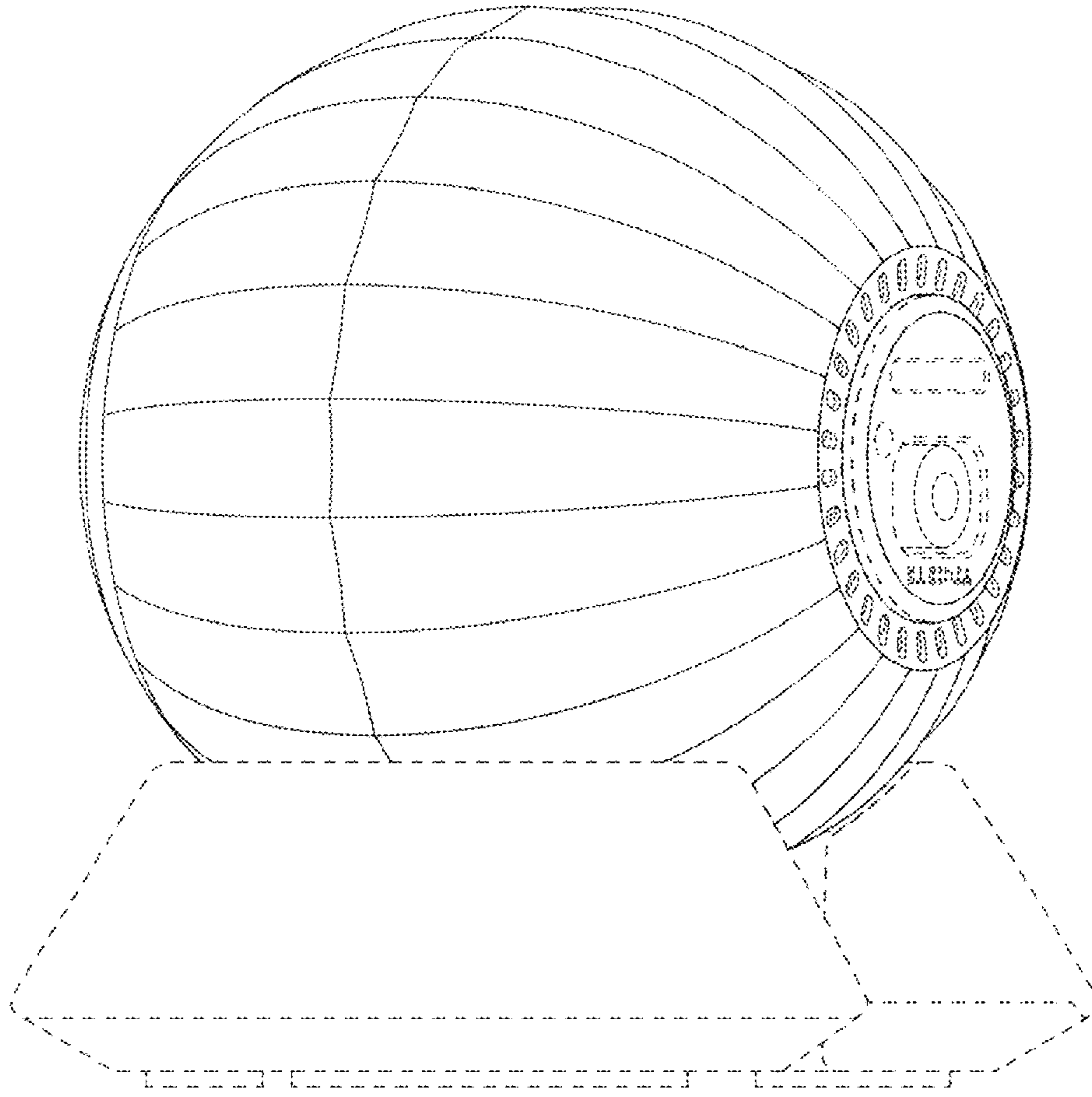


FIG. 8