



US00D880552S

(12) **United States Design Patent**
Kawaguchi et al.

(10) **Patent No.:** **US D880,552 S**
(45) **Date of Patent:** **** Apr. 7, 2020**

(54) **MANIPULATOR FOR ROBOT**
(71) Applicant: **mitsubishi electric corporation**, Tokyo (JP)
(72) Inventors: **Noboru Kawaguchi**, Tokyo (JP); **Tomoya Hattori**, Tokyo (JP); **Masaki Haruna**, Tokyo (JP); **Koji Hirose**, Tokyo (JP); **Ken Ueda**, Tokyo (JP); **Shingo Kimura**, Tokyo (JP)
(73) Assignee: **Mitsubishi Electric Corporation**, Tokyo (JP)

D846,614 S * 4/2019 Kawaguchi D15/199
D846,615 S * 4/2019 Kawaguchi D15/199
D847,243 S * 4/2019 Kawaguchi D15/199
D847,244 S * 4/2019 Kawaguchi D15/199
D852,859 S * 7/2019 Kawaguchi D15/199
D865,831 S * 11/2019 Kawaguchi D15/199
2004/0054424 A1 * 3/2004 Matsuda B25J 9/104
623/64
2006/0158146 A1 * 7/2006 Tadano B25J 15/0004
318/568.21
2007/0236162 A1 * 10/2007 Kawabuchi B25J 9/102
318/568.16
2008/0127768 A1 * 6/2008 Shirai B25J 15/0009
74/490.05

(Continued)

(**) Term: **15 Years**

Primary Examiner — Patricia A Palasik
(74) *Attorney, Agent, or Firm* — Sutdebaker & Brackett PC

(21) Appl. No.: **29/664,979**

(22) Filed: **Sep. 28, 2018**

(57) **CLAIM**

The ornamental design for a manipulator for robot, as shown and described.

(30) **Foreign Application Priority Data**

Mar. 29, 2018 (JP) 2018-006787

DESCRIPTION

(51) **LOC (12) Cl.** **15-99**

(52) **U.S. Cl.**
USPC **D15/199**

(58) **Field of Classification Search**
USPC D15/199; D21/369, 578-583, 621, 622
CPC B25J 15/10; B25J 15/086; B25J 15/0009;
Y10S 901/38; Y10S 901/39
See application file for complete search history.

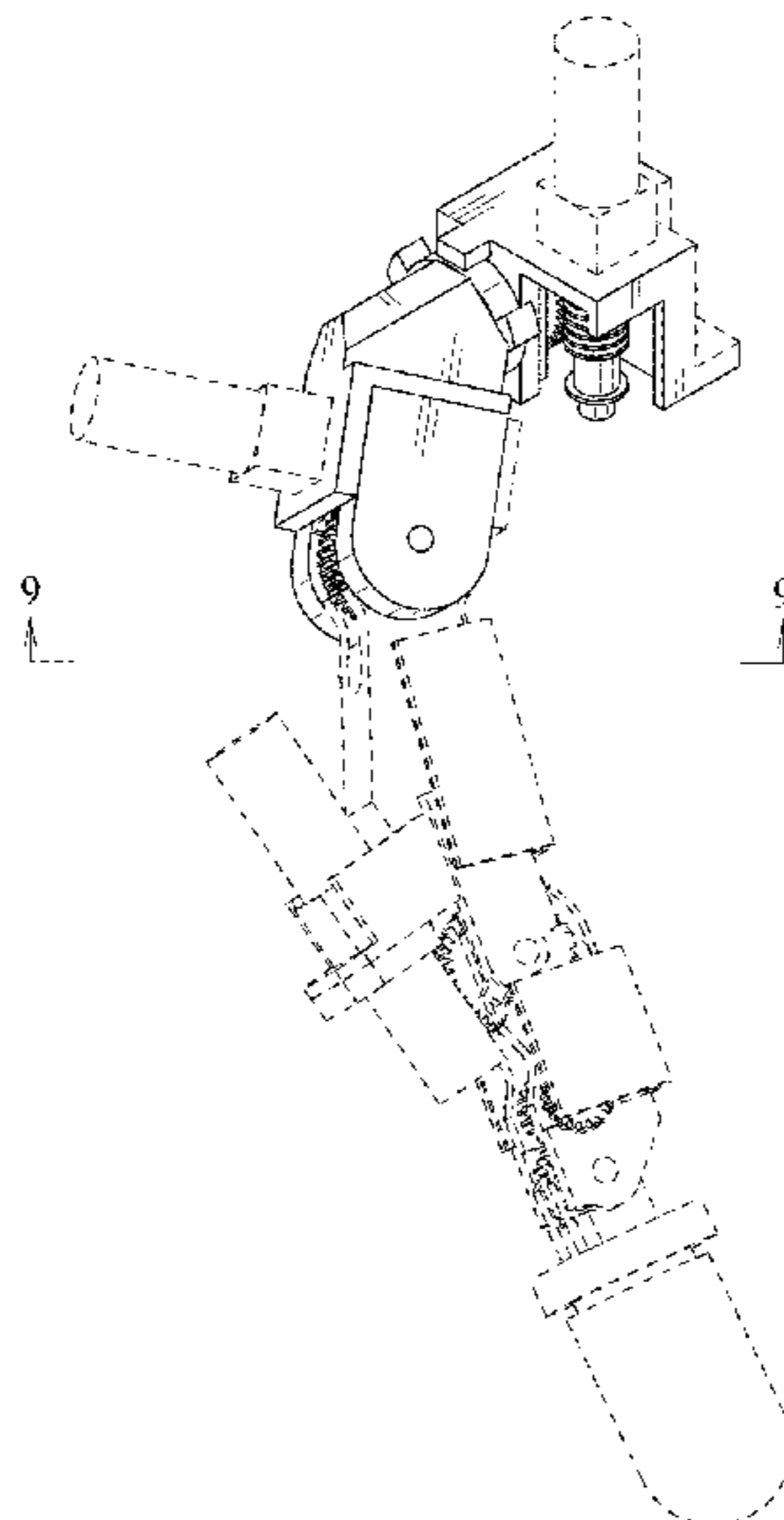
FIG. 1 is a front perspective view of the front, right, and top sides of a manipulator for robot showing a first embodiment of our new design;
FIG. 2 is a rear perspective view of the rear, left, and bottom sides thereof;
FIG. 3 is a front view thereof;
FIG. 4 is a rear view thereof;
FIG. 5 is a left side view thereof;
FIG. 6 is a right side view thereof;
FIG. 7 is a top plan view thereof;
FIG. 8 is a bottom plan view thereof;
FIG. 9 is an enlarged view of a part 9; and,
FIG. 10 is an enlarged view of a part 10.
The broken lines in the drawings represent portions of the manipulator for robot and form no part of the claimed design.

(56) **References Cited**

U.S. PATENT DOCUMENTS

5,447,403 A * 9/1995 Engler, Jr. B25J 15/0009
294/111
8,936,289 B1 * 1/2015 Kozlowski B25J 15/0009
294/106
9,814,604 B2 * 11/2017 Jury A61F 2/583
D812,122 S * 3/2018 Clerc D15/199
D846,613 S * 4/2019 Kawaguchi D15/199

1 Claim, 10 Drawing Sheets



(56)

References Cited

U.S. PATENT DOCUMENTS

2009/0015026	A1 *	1/2009	Matsuda	B25J 15/0009	294/106
2009/0114054	A1 *	5/2009	Horiuchi	B25J 9/102	74/490.05
2010/0005918	A1 *	1/2010	Mizuno	B25J 9/102	74/490.03
2010/0116079	A1 *	5/2010	Ihrke	B25J 9/1075	74/490.05
2010/0176615	A1 *	7/2010	Okuda	A61F 2/583	294/106
2010/0259057	A1 *	10/2010	Madhani	B25J 9/1045	294/106
2011/0040408	A1 *	2/2011	De La Rosa Tames	B25J 9/1045	700/258
2011/0257765	A1 *	10/2011	Evans	A61F 2/54	623/24
2012/0068486	A1 *	3/2012	Kim	B25J 15/0009	294/213
2012/0205932	A1 *	8/2012	Nammoto	B25J 15/10	294/213
2014/0007730	A1 *	1/2014	DeLouis	B25J 15/0009	74/490.03
2014/0103673	A1 *	4/2014	Nammoto	B25J 13/082	294/106
2014/0107805	A1 *	4/2014	Varley	A61F 2/586	623/24
2014/0132018	A1 *	5/2014	Claffee	B25J 9/0015	294/192
2014/0159407	A1 *	6/2014	Neff	B25J 15/0206	294/213
2014/0197652	A1 *	7/2014	Wang	B25J 15/0009	294/185
2014/0232124	A1 *	8/2014	Dan	B25J 15/0009	294/198
2015/0216679	A1 *	8/2015	Lipsey	A61F 2/582	623/24
2015/0230941	A1 *	8/2015	Jury	A61F 2/583	623/64
2015/0257903	A1 *	9/2015	Perry	A61F 2/70	623/24
2016/0008146	A1 *	1/2016	Nagatsuka	B25J 15/0009	623/64
2016/0263748	A1 *	9/2016	Nagatsuka	B25J 15/0009	
2016/0278872	A1 *	9/2016	Gombert	B25J 15/028	
2017/0151679	A1 *	6/2017	Wong	B25J 15/10	
2018/0140441	A1 *	5/2018	Poirters	A61F 2/54	
2018/0272541	A1 *	9/2018	Salisbury	B25J 13/085	
2018/0311827	A1 *	11/2018	Bicchi	B25J 15/0009	

* cited by examiner

FIG. 1

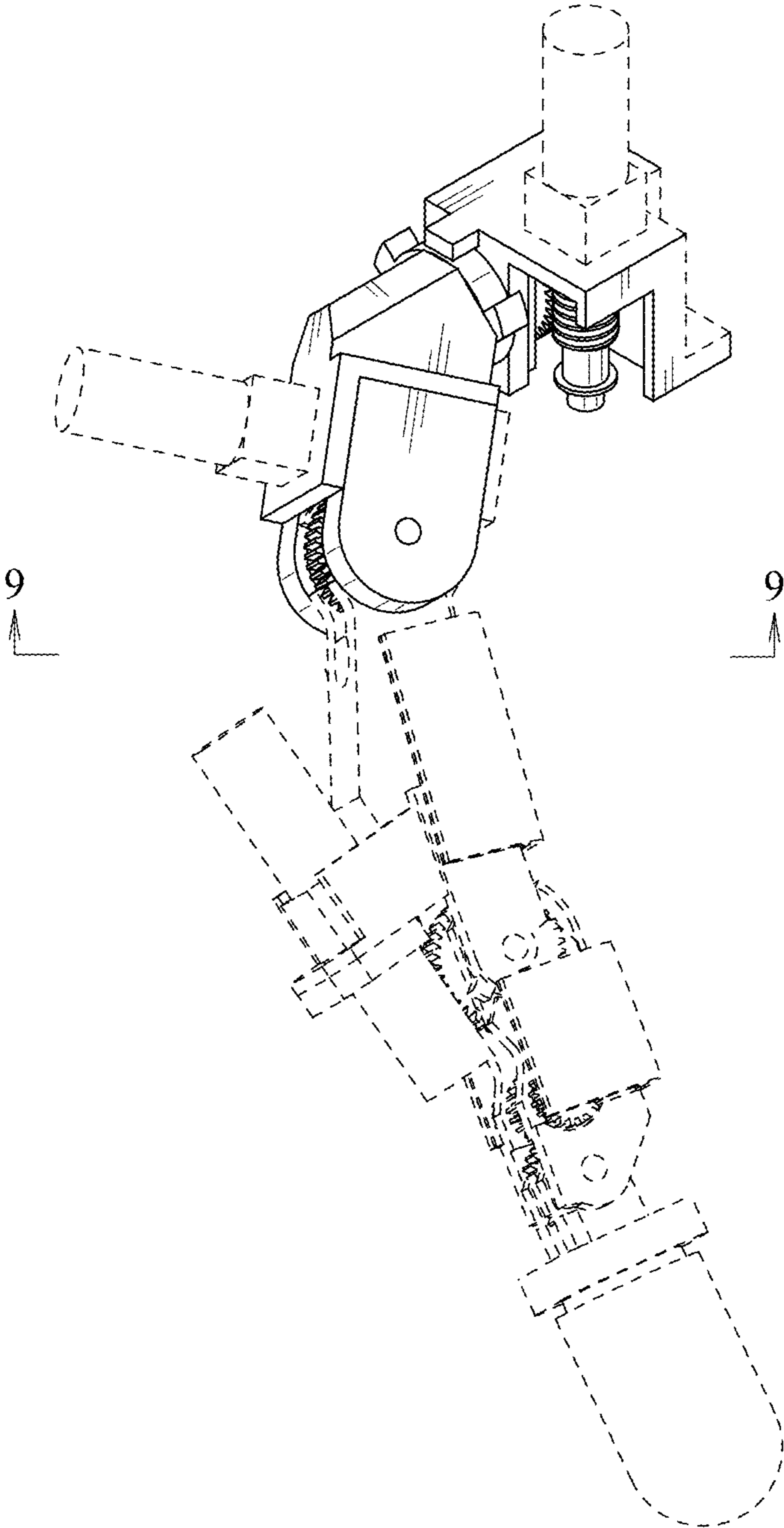


FIG. 2

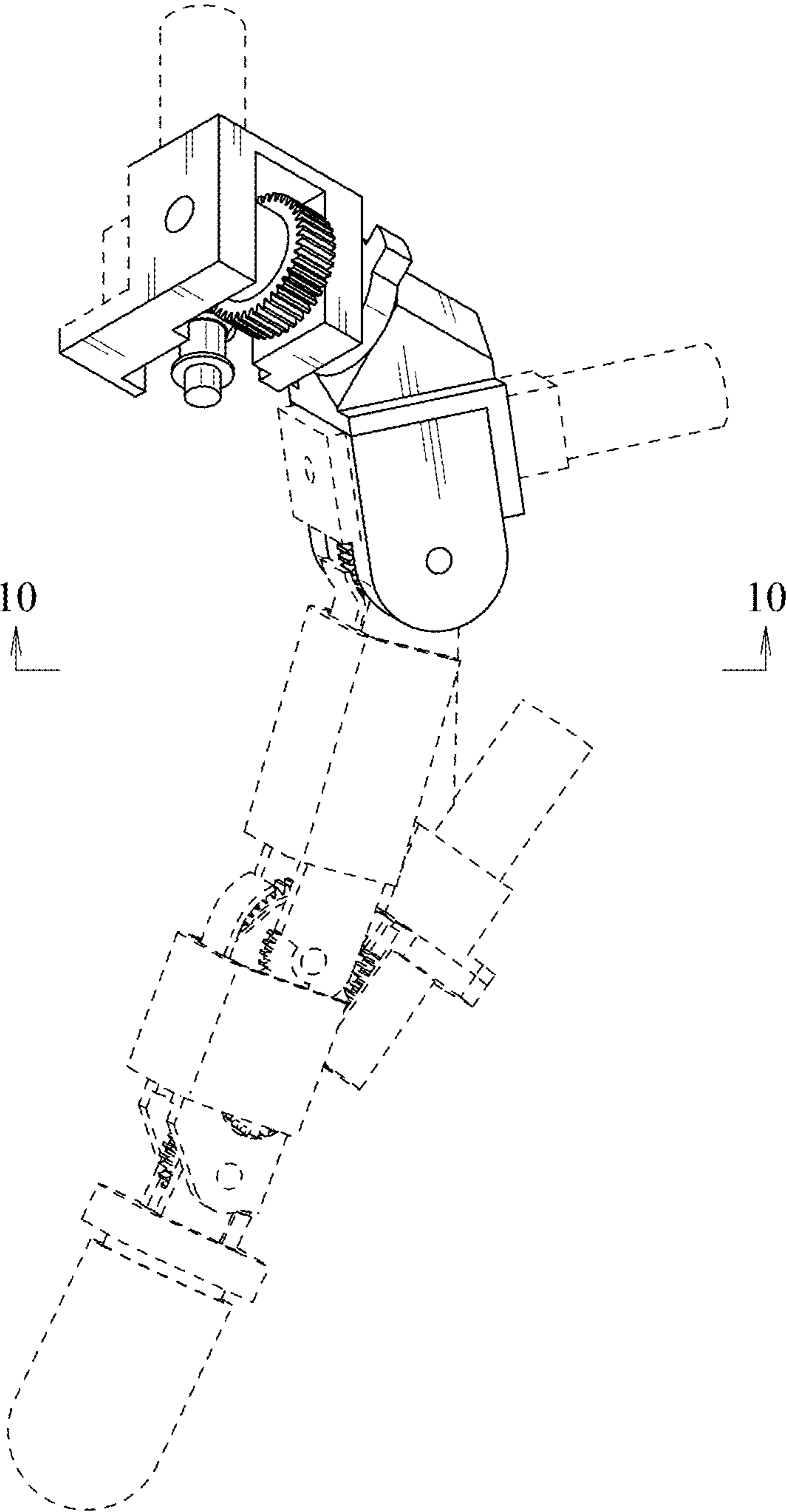


FIG. 3

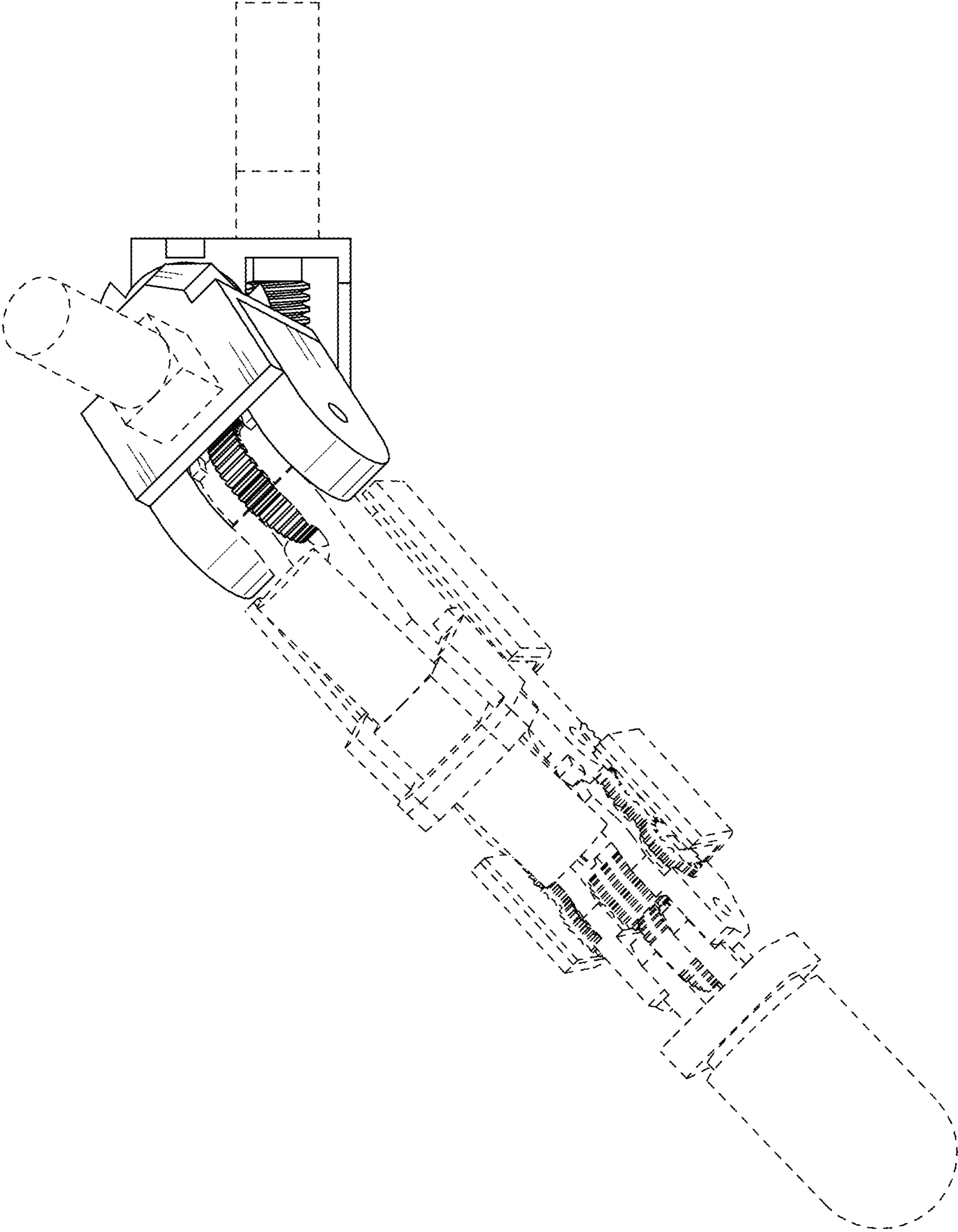


FIG. 4

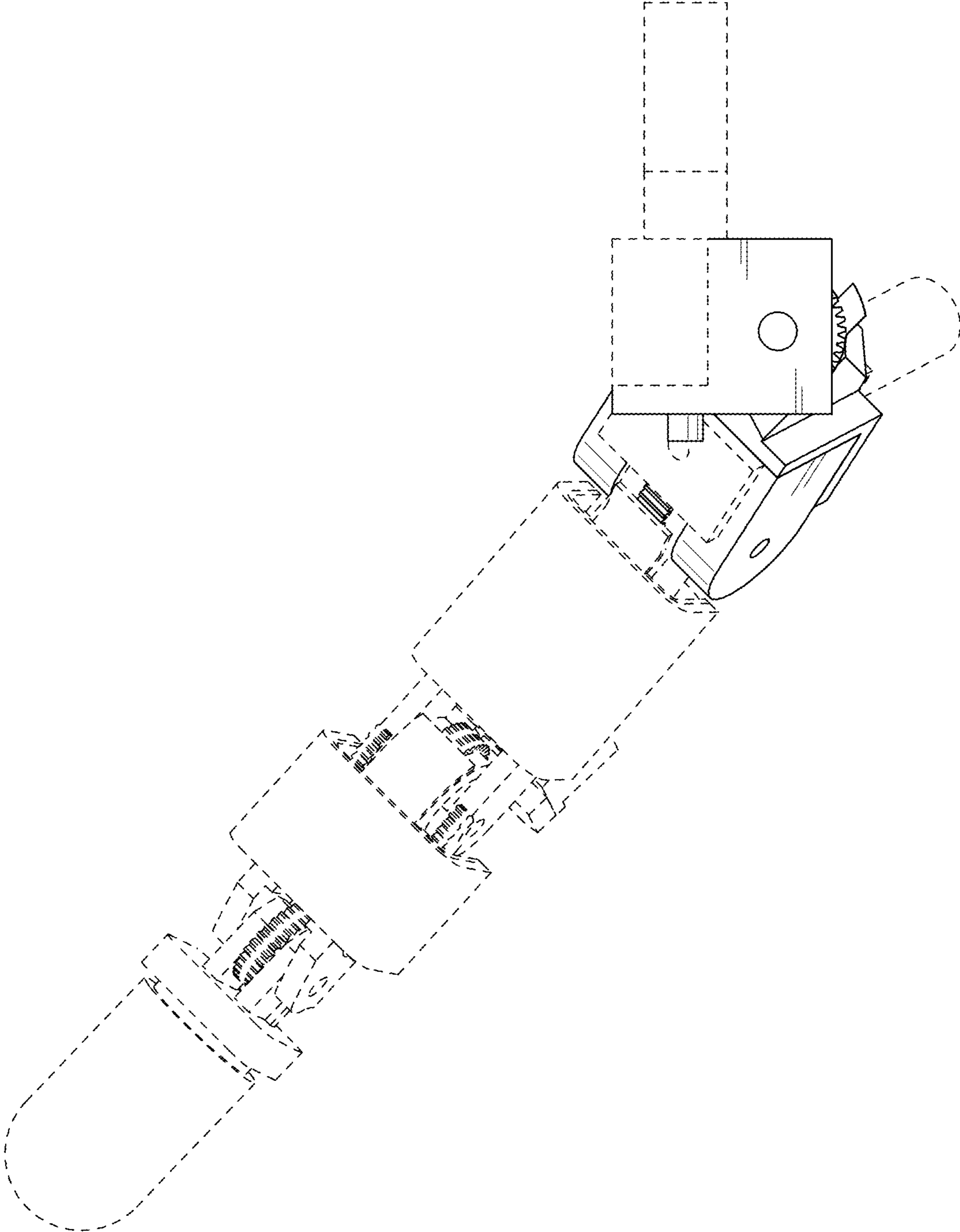


FIG. 5

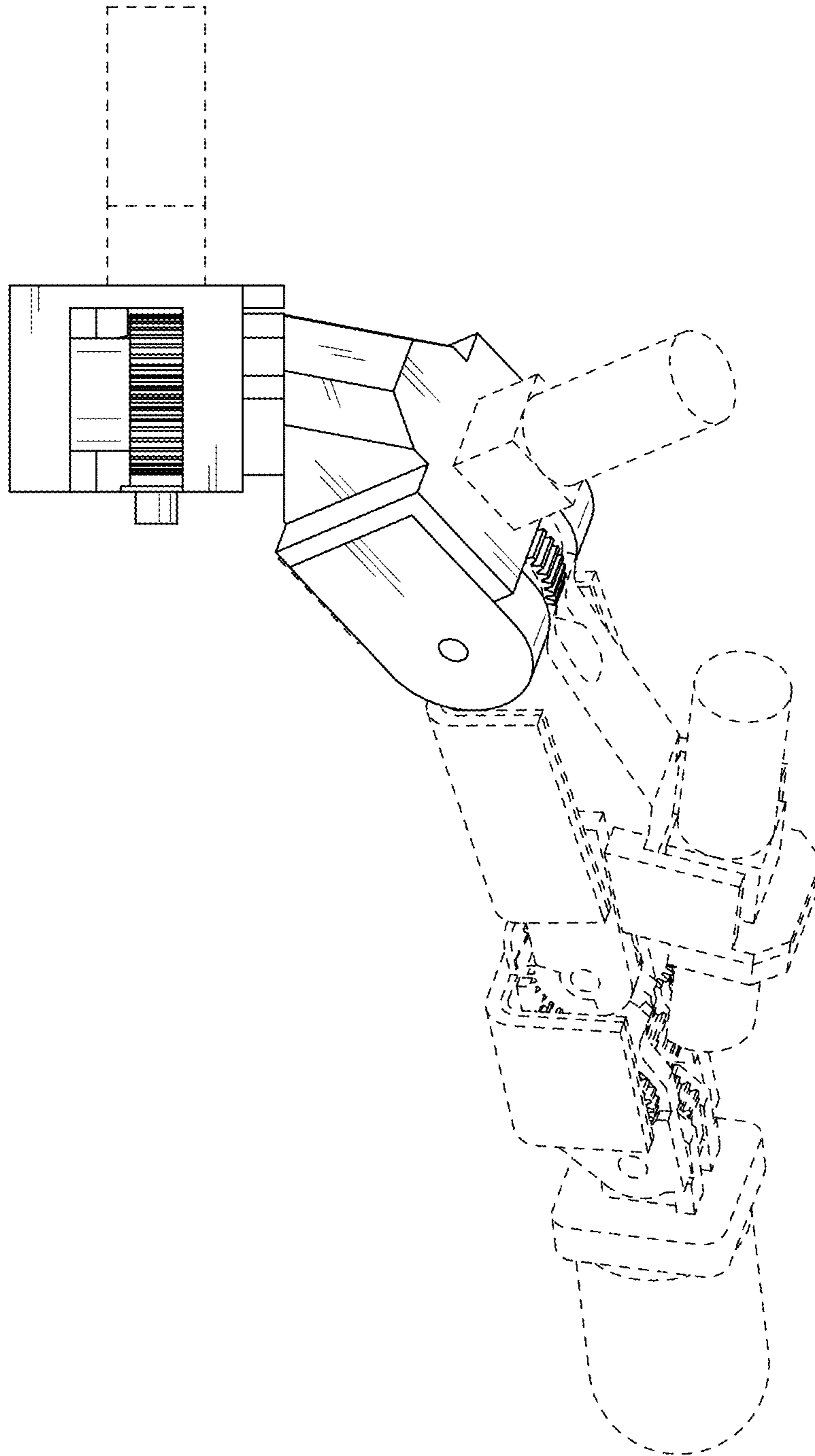


FIG. 6

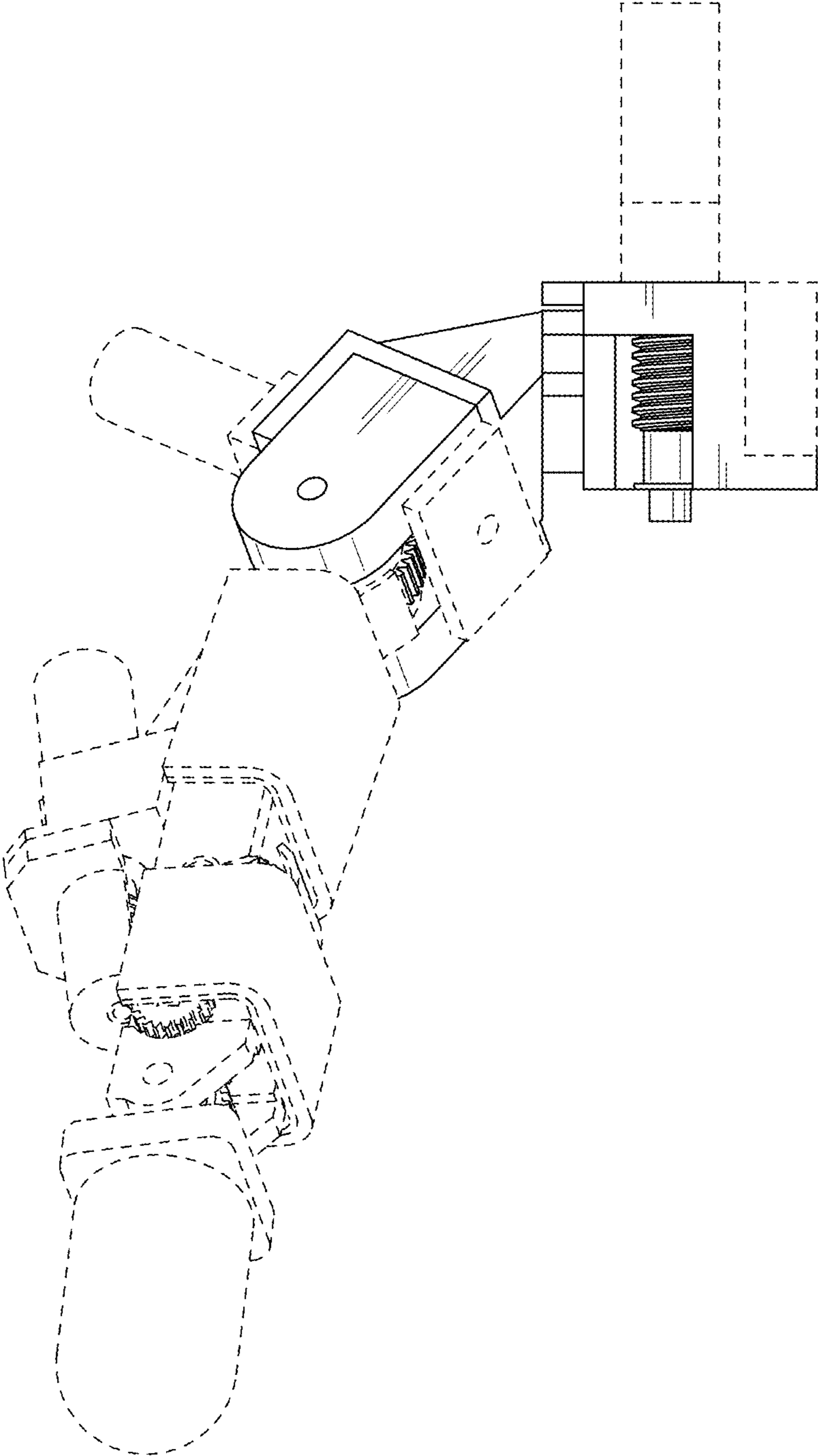


FIG. 7

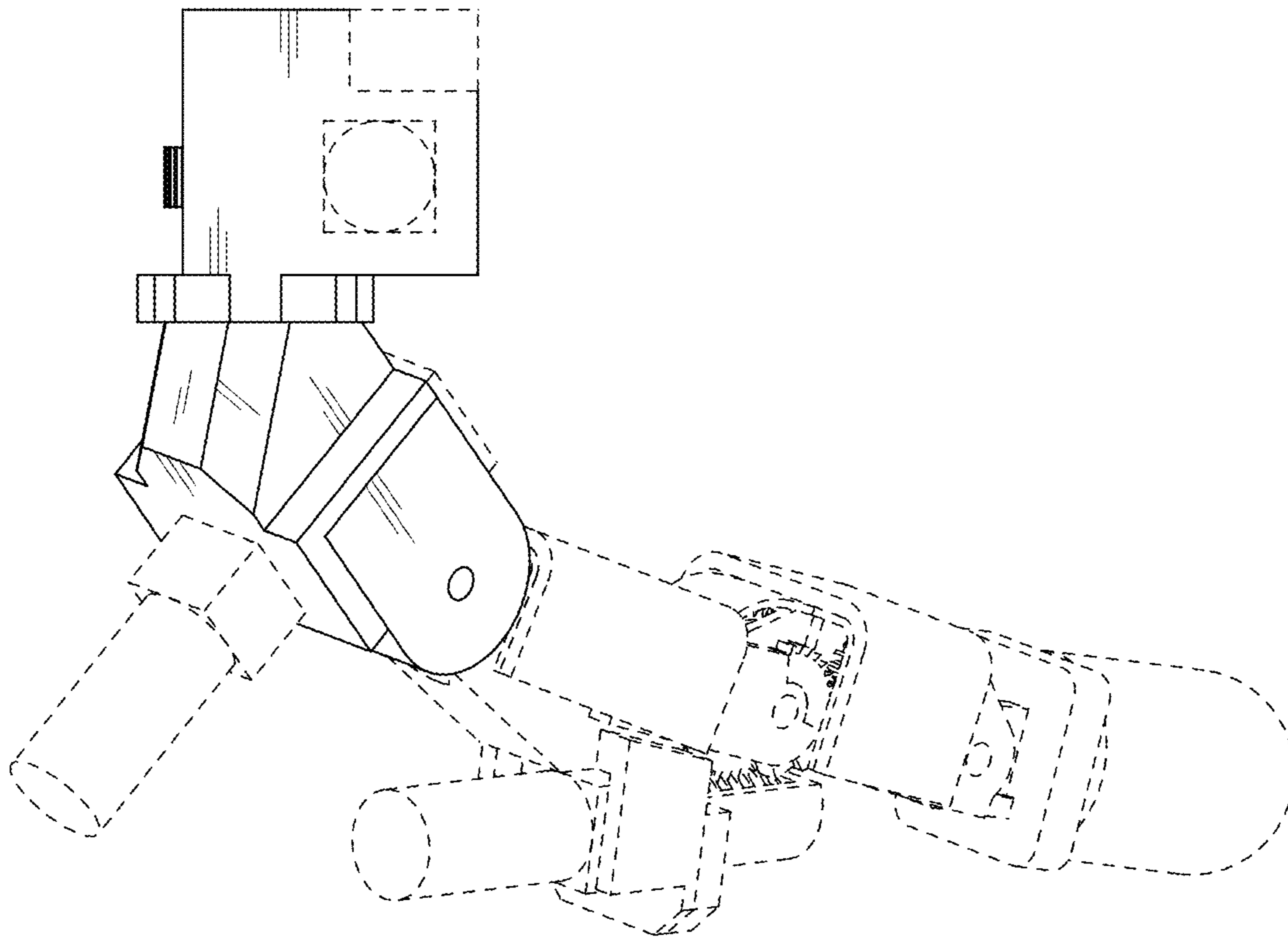


FIG. 8

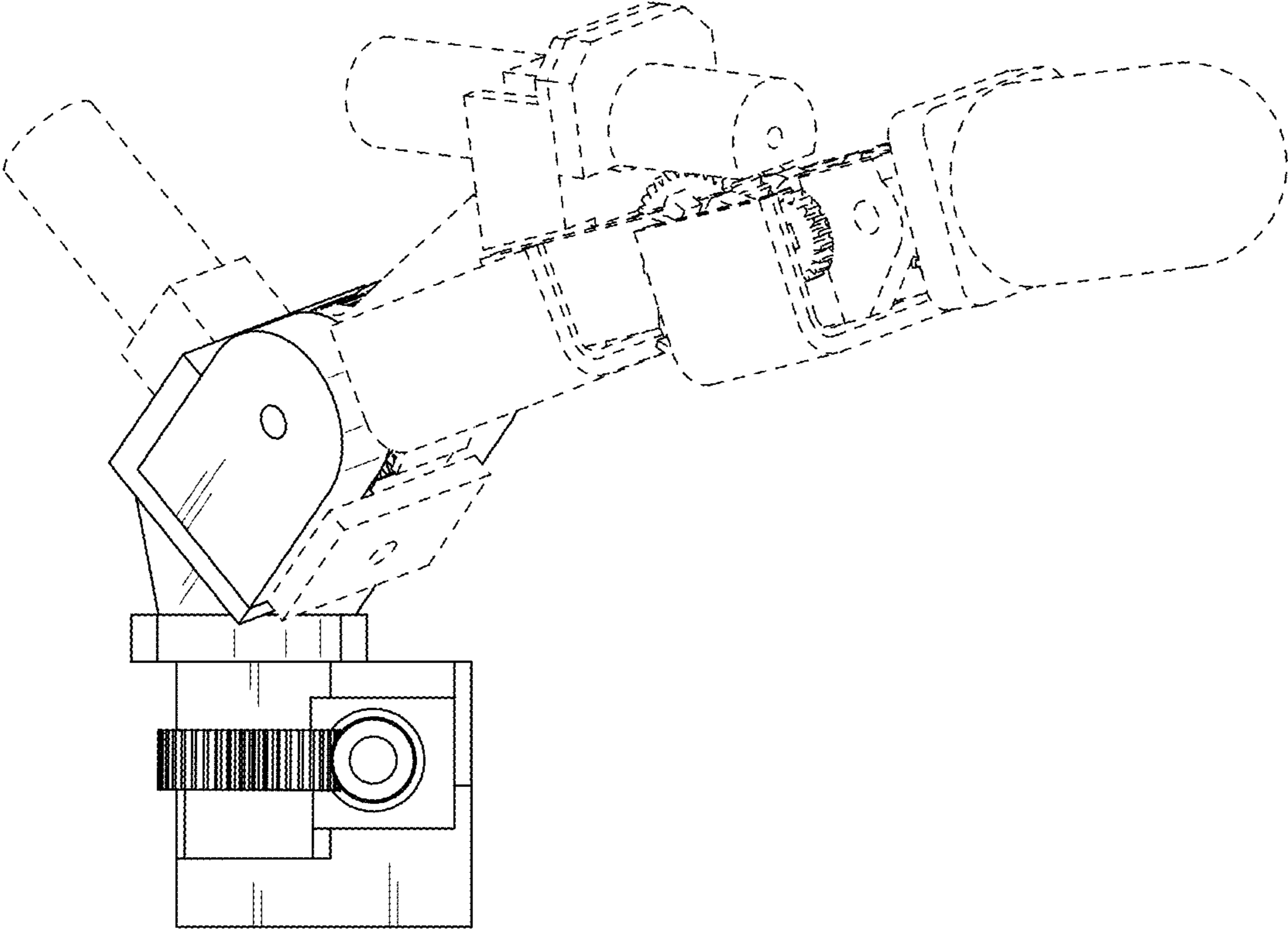


FIG. 9

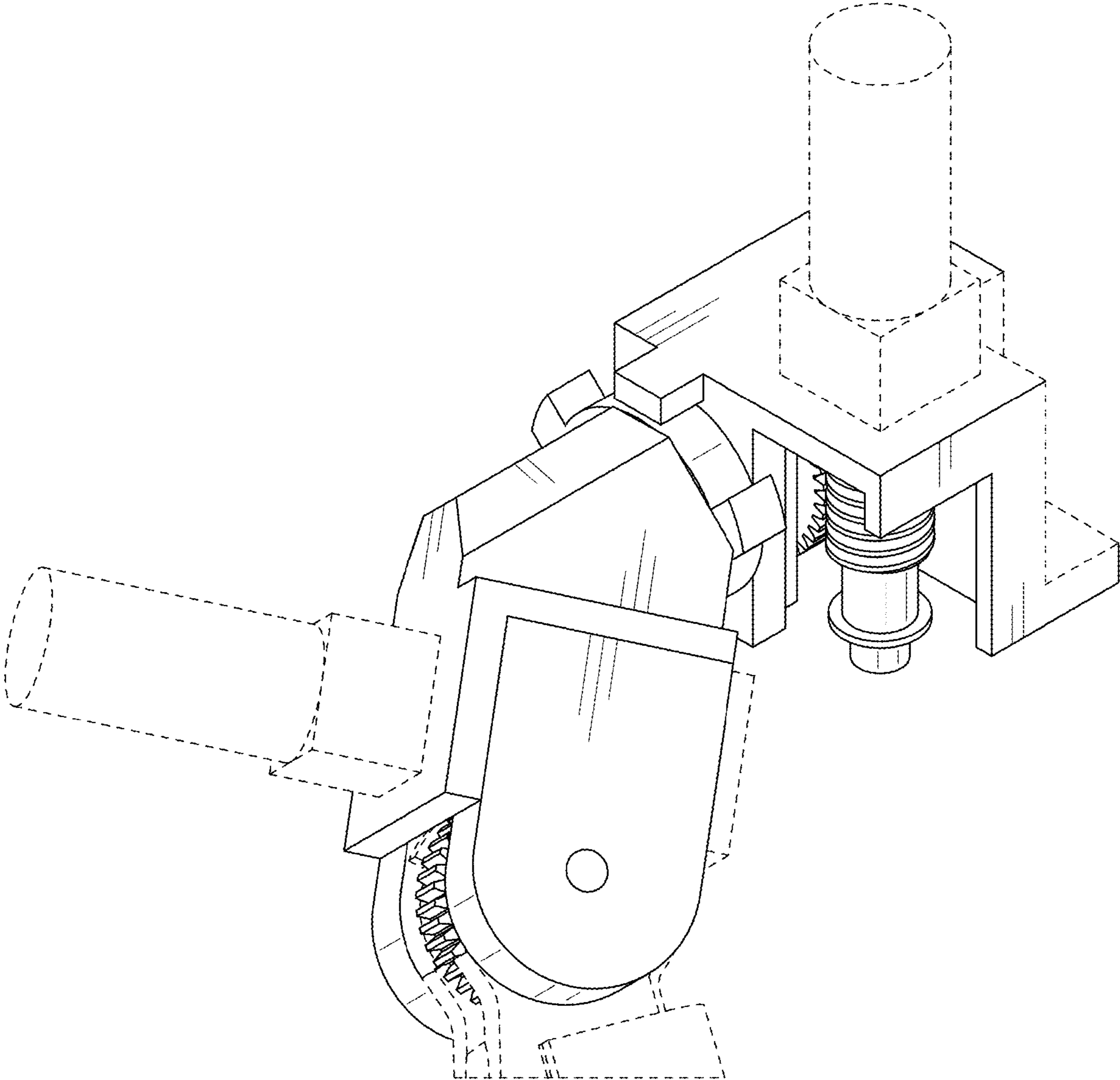


FIG. 10

