



US00D880551S

(12) **United States Design Patent**
Kawaguchi et al.

(10) **Patent No.:** **US D880,551 S**
(45) **Date of Patent:** **** Apr. 7, 2020**

- (54) **MANIPULATOR FOR ROBOT**
- (71) Applicant: **mitsubishi electric corporation**, Tokyo (JP)
- (72) Inventors: **Noboru Kawaguchi**, Tokyo (JP); **Tomoya Hattori**, Tokyo (JP); **Masaki Haruna**, Tokyo (JP); **Koji Hirose**, Tokyo (JP); **Ken Ueda**, Tokyo (JP); **Shingo Kimura**, Tokyo (JP)
- (73) Assignee: **Mitsubishi Electric Corporation**, Tokyo (JP)
- (**) Term: **15 Years**
- (21) Appl. No.: **29/664,973**
- (22) Filed: **Sep. 28, 2018**
- (30) **Foreign Application Priority Data**
Mar. 29, 2018 (JP) 2018-006786
- (51) **LOC (12) Cl.** **15-99**
- (52) **U.S. Cl.**
USPC **D15/199**
- (58) **Field of Classification Search**
USPC D15/199; D21/369, 578-583, 621, 622
CPC B25J 15/10; B25J 15/086; B25J 15/0009; Y10S 901/38; Y10S 901/39
See application file for complete search history.

- (56) **References Cited**
U.S. PATENT DOCUMENTS
5,447,403 A * 9/1995 Engler, Jr. B25J 15/0009 294/111
8,936,289 B1 * 1/2015 Kozlowski B25J 15/0009 294/106
9,814,604 B2 * 11/2017 Jury A61F 2/583
D812,122 S * 3/2018 Clerc D15/199

D846,613 S *	4/2019	Kawaguchi	D15/199
D846,614 S *	4/2019	Kawaguchi	D15/199
D846,615 S *	4/2019	Kawaguchi	D15/199
D847,243 S *	4/2019	Kawaguchi	D15/199
D847,244 S *	4/2019	Kawaguchi	D15/199
D852,859 S *	7/2019	Kawaguchi	D15/199
D865,831 S *	11/2019	Kawaguchi	D15/199
2004/0054424 A1 *	3/2004	Matsuda	B25J 9/104 623/64
2006/0158146 A1 *	7/2006	Tadano	B25J 15/0004 318/568.21
2007/0236162 A1 *	10/2007	Kawabuchi	B25J 9/102 318/568.16
2008/0127768 A1 *	6/2008	Shirai	B25J 15/0009 74/490.05
2009/0015026 A1 *	1/2009	Matsuda	B25J 15/0009 294/106

(Continued)

Primary Examiner — Patricia A Palasik
(74) *Attorney, Agent, or Firm* — Stuebaker & Brackett PC

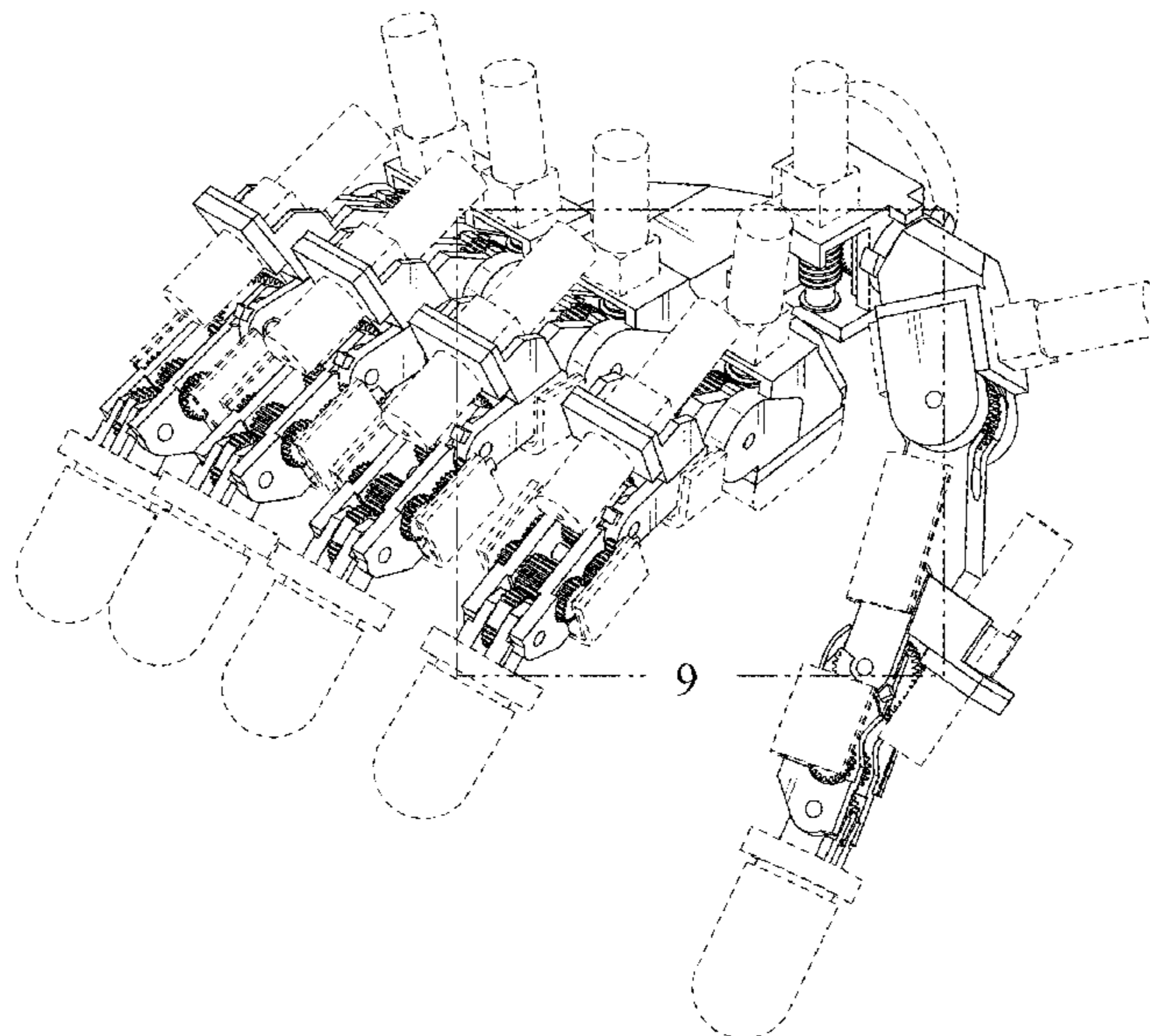
(57) **CLAIM**

The ornamental design for a manipulator for robot, as shown and described.

DESCRIPTION

FIG. 1 is a front perspective view of the front, left, and top sides of a manipulator for robot showing our new design; FIG. 2 is a rear perspective view of the rear, right, and bottom sides thereof; FIG. 3 is a front view thereof; FIG. 4 is a rear view thereof; FIG. 5 is a left side view thereof; FIG. 6 is a right side view thereof; FIG. 7 is a top plan view thereof; FIG. 8 is a bottom plan view thereof; and, FIG. 9 is an enlarged view of a part 9. The broken lines shown represent portions of the manipulator for robot and form no part of the claimed design.

1 Claim, 9 Drawing Sheets



(56)

References Cited

U.S. PATENT DOCUMENTS

2009/0114054	A1*	5/2009	Horiuchi	B25J 9/102	74/490.05
2010/0005918	A1*	1/2010	Mizuno	B25J 9/102	74/490.03
2010/0116079	A1*	5/2010	Ihrke	B25J 9/1075	74/490.05
2010/0176615	A1*	7/2010	Okuda	A61F 2/583	294/106
2010/0259057	A1*	10/2010	Madhani	B25J 9/1045	294/106
2011/0040408	A1*	2/2011	De La Rosa Tames	B25J 9/1045	700/258
2011/0257765	A1*	10/2011	Evans	A61F 2/54	623/24
2012/0068486	A1*	3/2012	Kim	B25J 15/0009	294/213
2012/0205932	A1*	8/2012	Nammoto	B25J 15/10	294/213
2014/0007730	A1*	1/2014	DeLouis	B25J 15/0009	74/490.03
2014/0103673	A1*	4/2014	Nammoto	B25J 13/082	294/106
2014/0107805	A1*	4/2014	Varley	A61F 2/586	623/24
2014/0132018	A1*	5/2014	Claffee	B25J 9/0015	294/192
2014/0159407	A1*	6/2014	Neff	B25J 15/0206	294/213
2014/0197652	A1*	7/2014	Wang	B25J 15/0009	294/185
2014/0232124	A1*	8/2014	Dan	B25J 15/0009	294/198
2015/0216679	A1*	8/2015	Lipsey	A61F 2/582	623/24
2015/0230941	A1*	8/2015	Jury	A61F 2/583	623/64
2015/0257903	A1*	9/2015	Perry	A61F 2/70	623/24
2016/0008146	A1*	1/2016	Nagatsuka	B25J 15/0009	623/64
2016/0263748	A1*	9/2016	Nagatsuka	B25J 15/0009	
2016/0278872	A1*	9/2016	Gombert	B25J 15/028	
2017/0151679	A1*	6/2017	Wong	B25J 15/10	
2018/0140441	A1*	5/2018	Poirters	A61F 2/54	
2018/0272541	A1*	9/2018	Salisbury	B25J 13/085	
2018/0311827	A1*	11/2018	Bicchi	B25J 15/0009	

* cited by examiner

FIG. 1

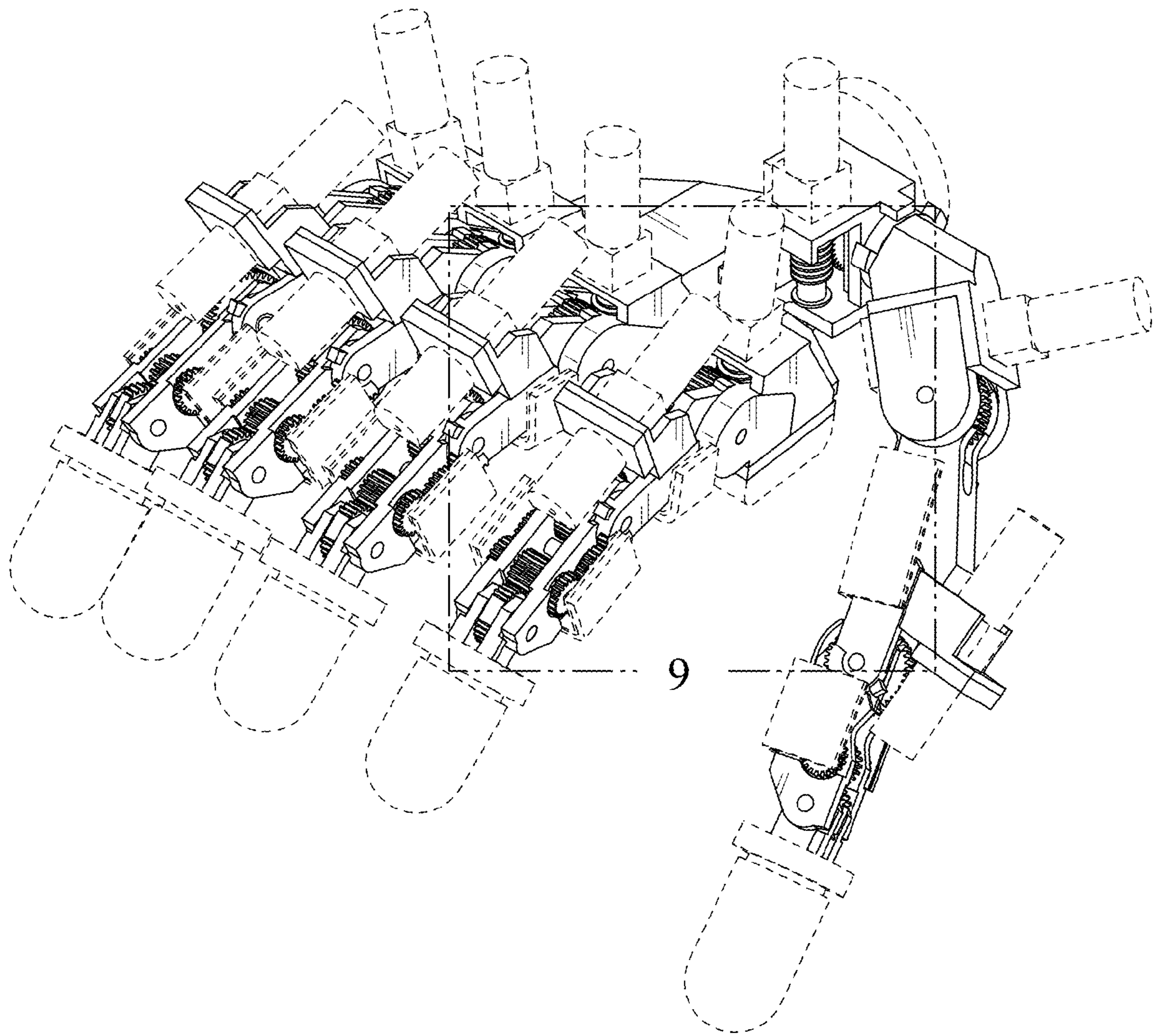


FIG. 2

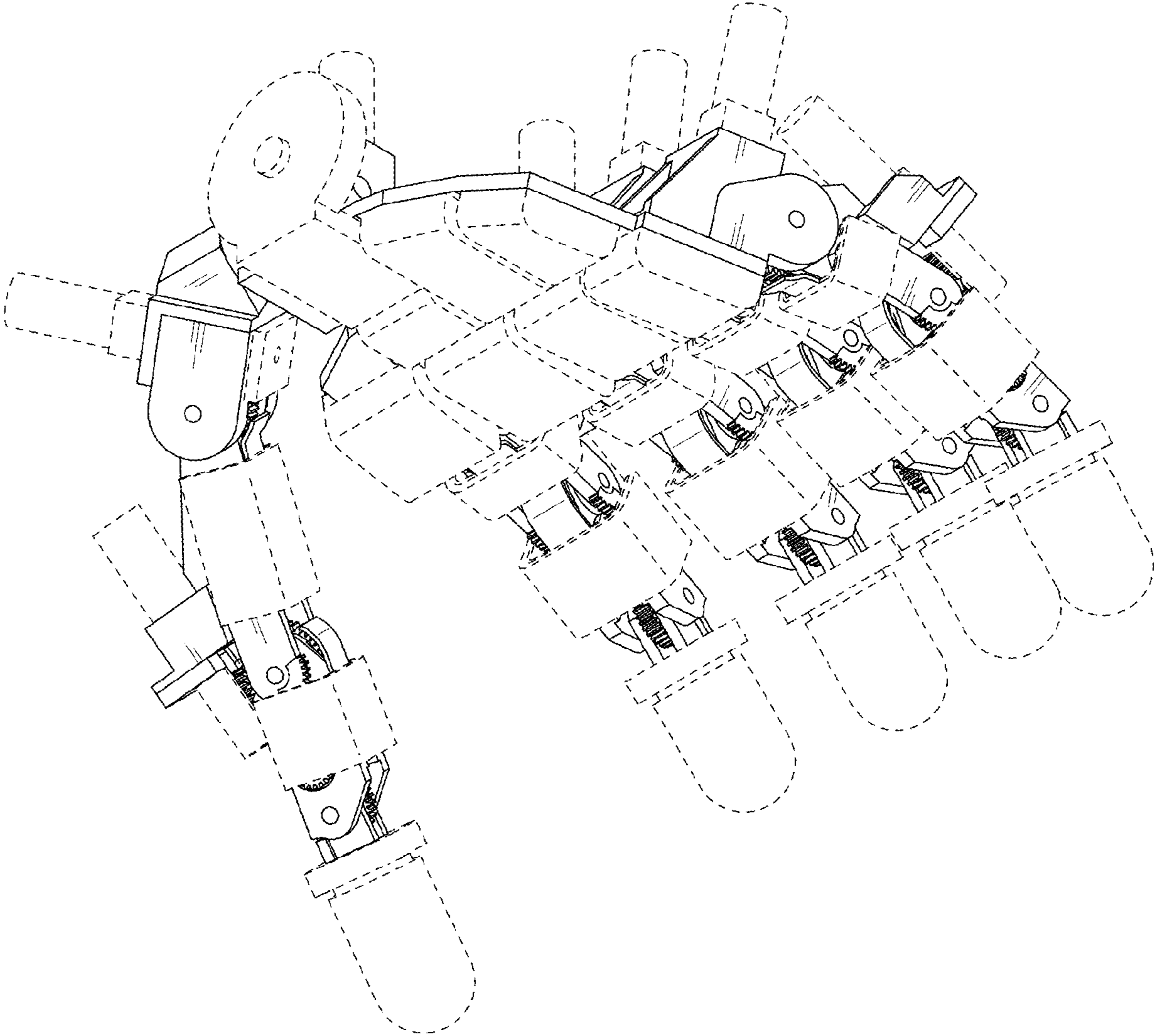


FIG. 3

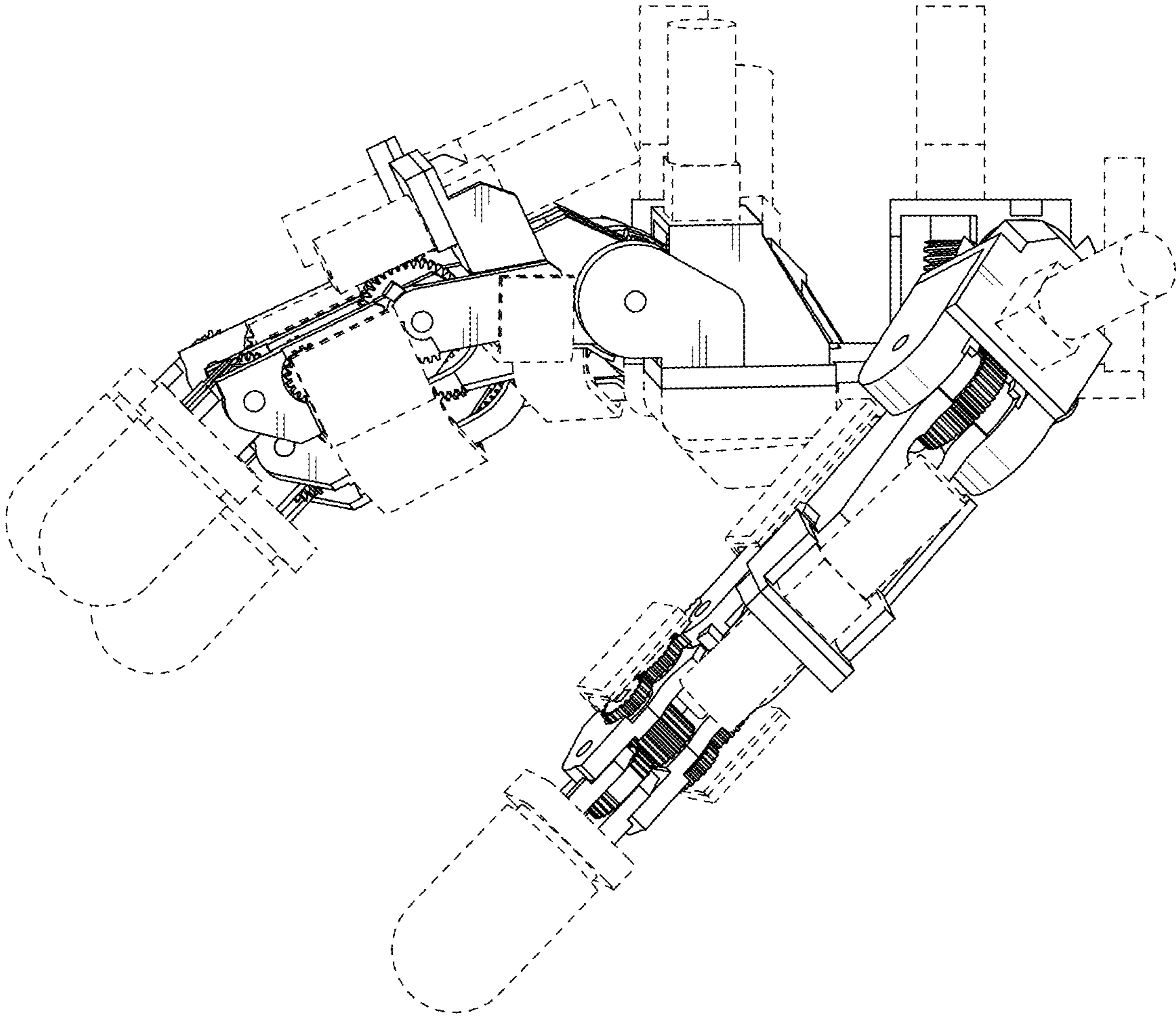


FIG. 4

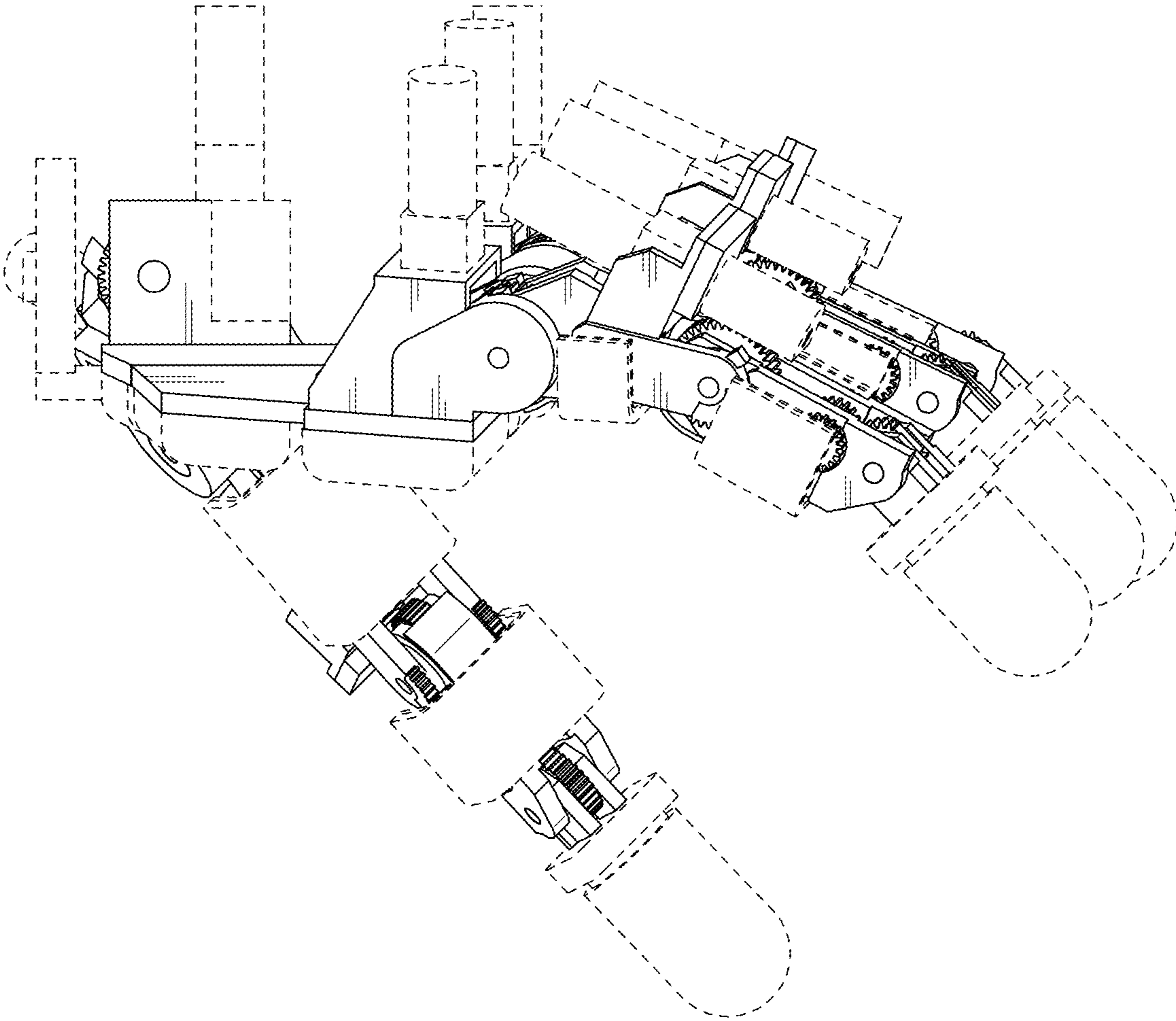


FIG. 5

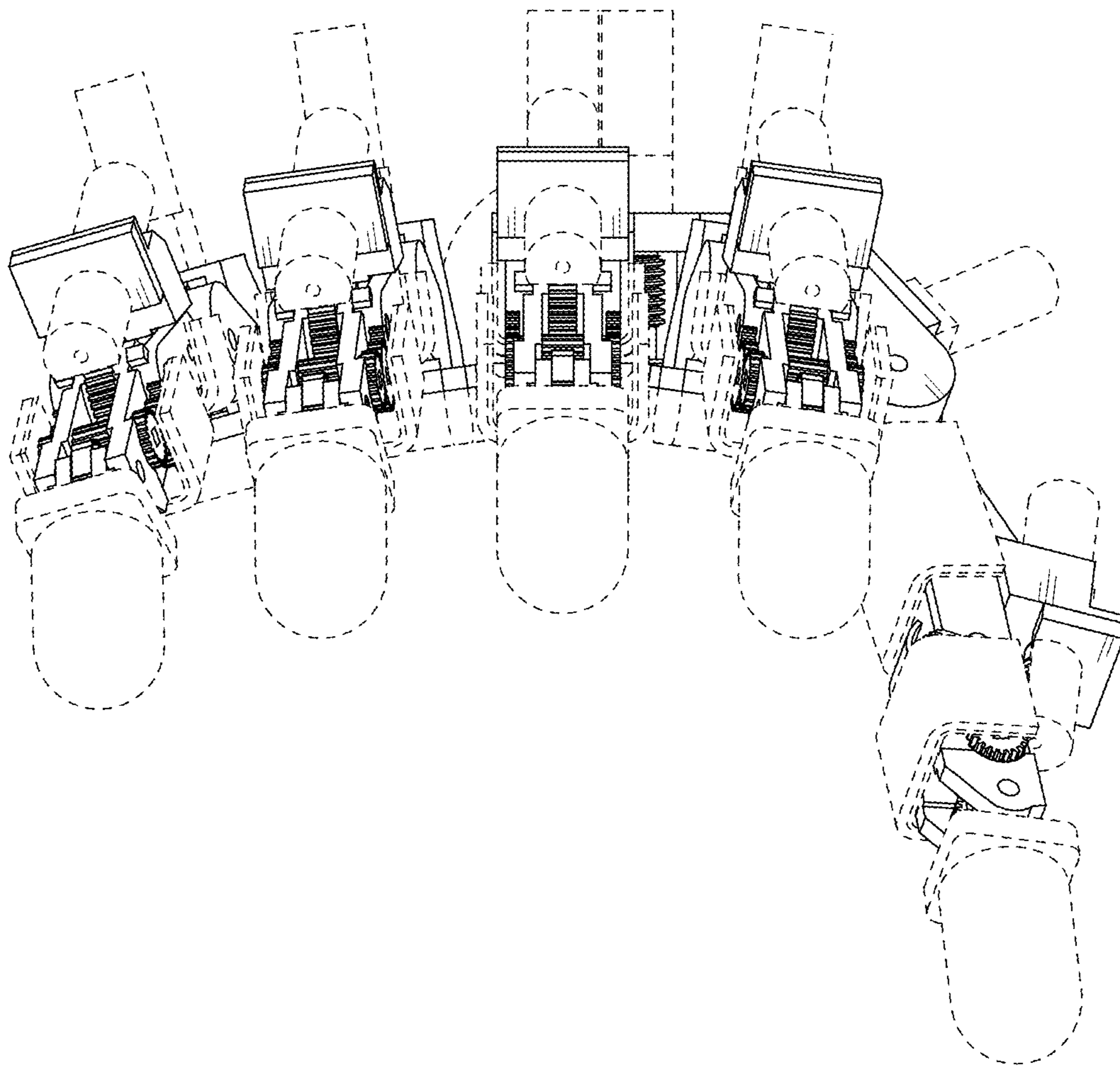


FIG. 6

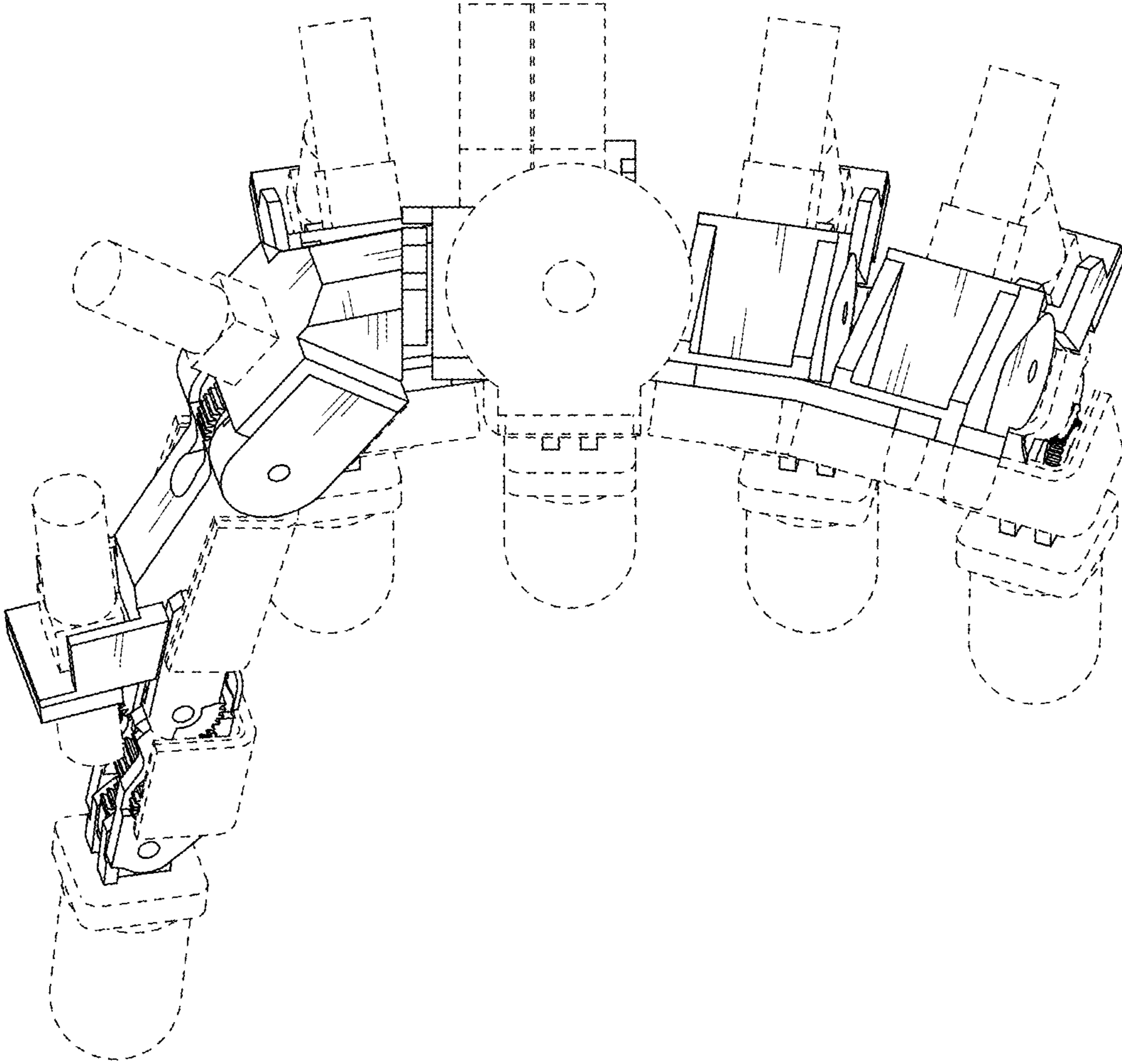


FIG. 7

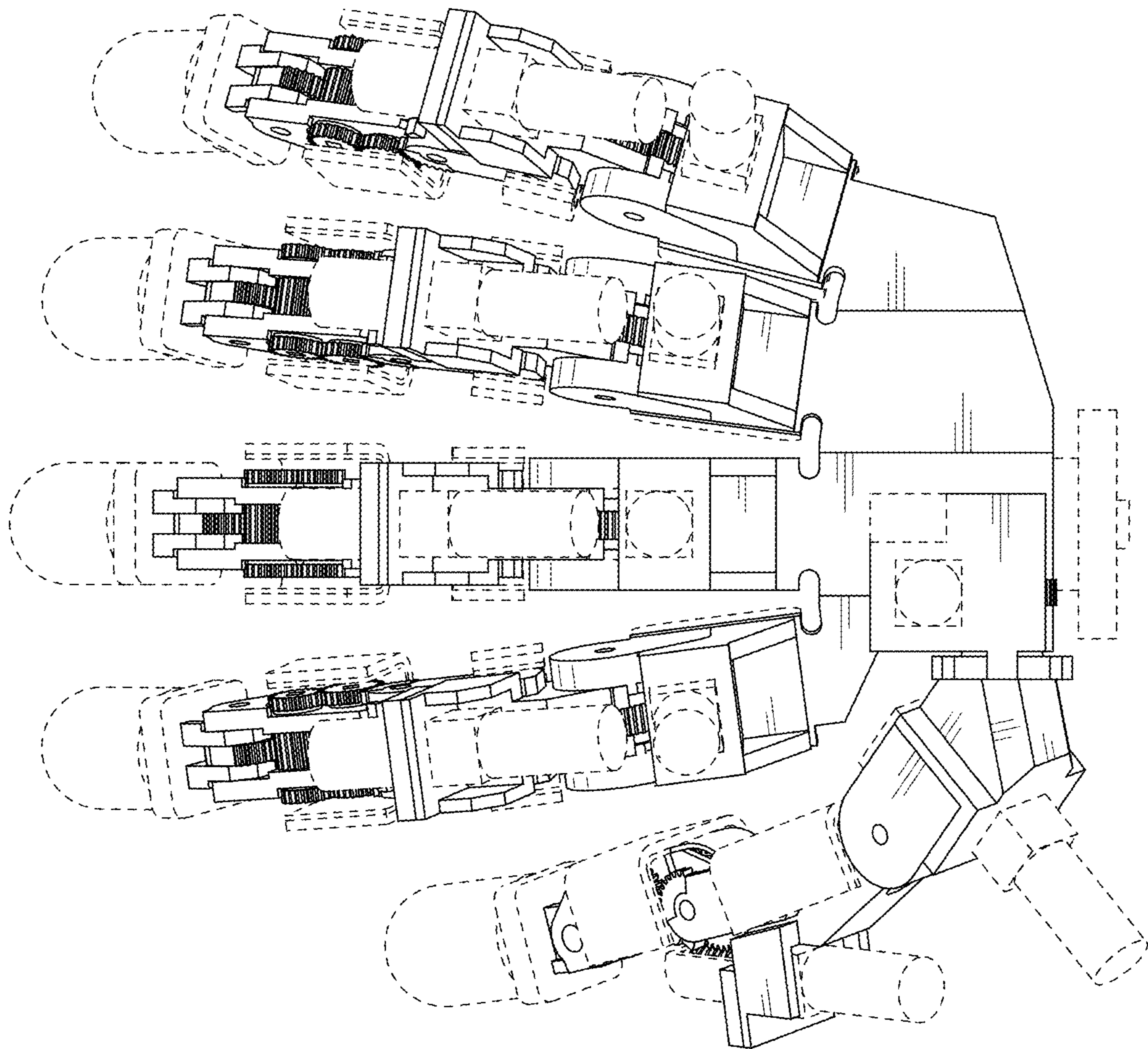


FIG. 8

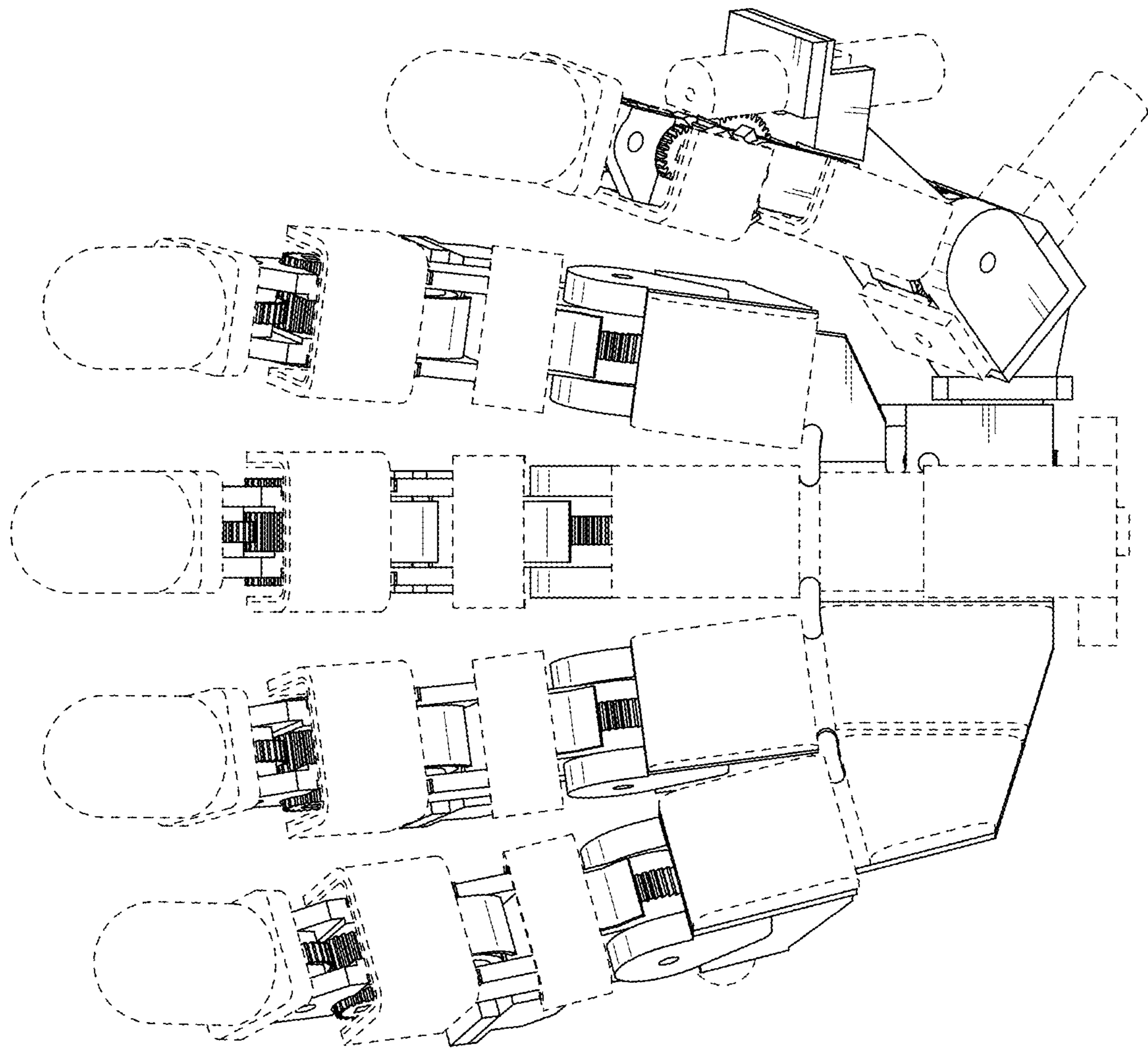


FIG. 9

