



US00D880550S

(12) **United States Design Patent**
Sokuza

(10) **Patent No.:** **US D880,550 S**

(45) **Date of Patent:** **** Apr. 7, 2020**

- (54) **AUTOMATIC GUIDED VEHICLE**
- (71) Applicant: **NIDEC-SHIMPO CORPORATION**,
Kyoto (JP)
- (72) Inventor: **Masashi Sokuza**, Kyoto (JP)
- (73) Assignee: **NIDEC-SHIMPO CORPORATION**,
Kyoto (JP)
- (**) Term: **15 Years**
- (21) Appl. No.: **29/662,316**
- (22) Filed: **Sep. 5, 2018**
- (30) **Foreign Application Priority Data**
Mar. 6, 2018 (JP) 2018-004640
- (51) **LOC (12) Cl.** **15-99**
- (52) **U.S. Cl.**
USPC **D15/199**; D12/16.1
- (58) **Field of Classification Search**
USPC D12/319-345, 16.1, 1-4, 415, 401;
D21/436-455, 769, 771; D15/199;
D32/21
CPC B64C 2201/146; B64C 2201/027; B64C
2201/104; B64C 25/06; B64C 25/24;
B64C 39/04; B64C 5/02
See application file for complete search history.

- D797,643 S * 9/2017 Smallhorn D12/345
- D797,644 S * 9/2017 Smallhorn D12/345
- D810,799 S * 2/2018 Sokuza D15/199
- D818,872 S * 5/2018 Ho D12/16.1
- D839,331 S * 1/2019 Nilsson D15/199
- 10,203,692 B2 * 2/2019 Smith G05D 1/0094

(Continued)

Primary Examiner — Marissa J Cash
(74) *Attorney, Agent, or Firm* — JCIPRNET

(57) **CLAIM**

The ornamental design for an automatic guided vehicle, as shown and described.

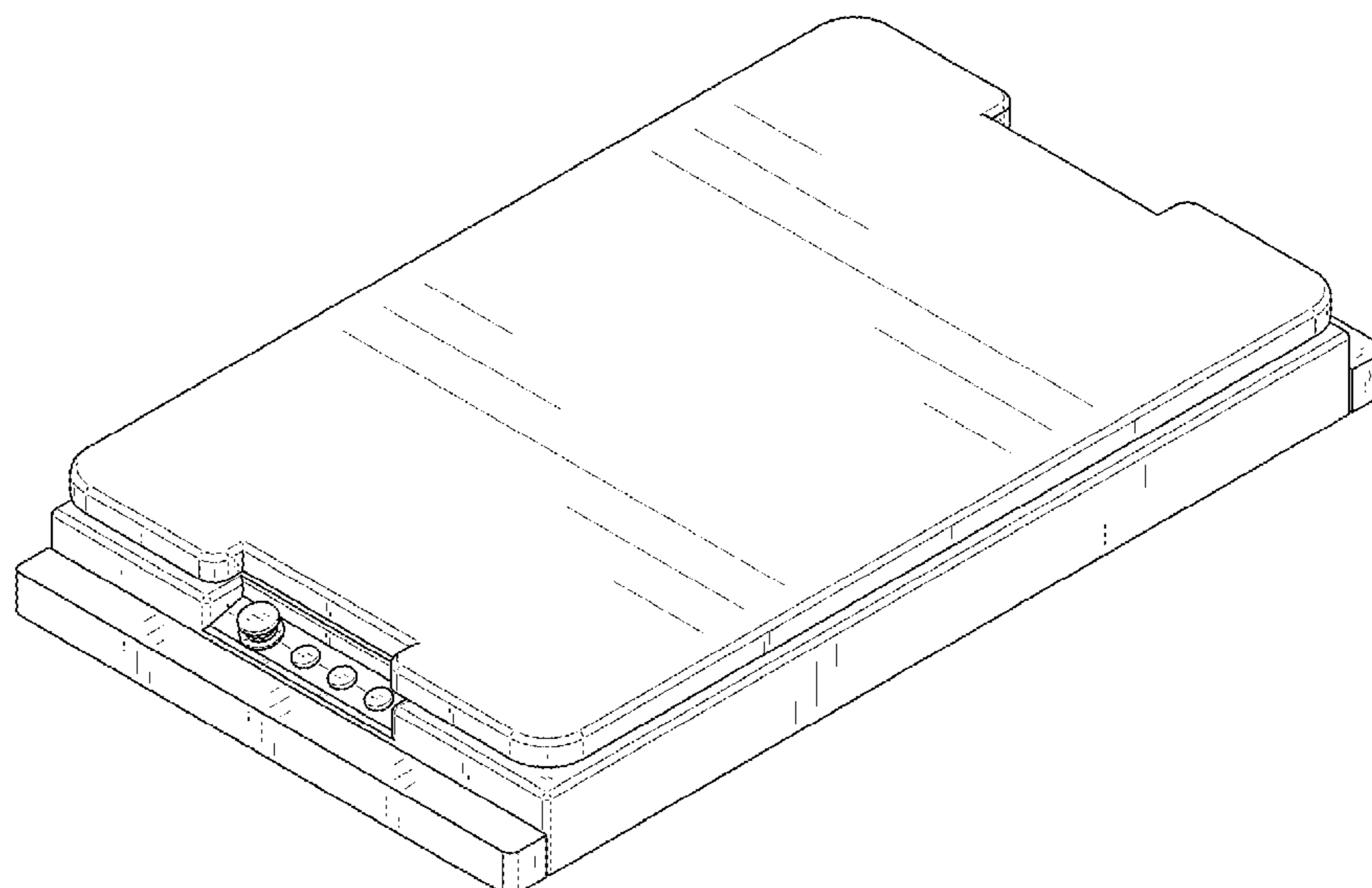
DESCRIPTION

FIG. 1 is a perspective view of an automatic guided vehicle showing my new design;
 FIG. 2 is a front view thereof, additionally the rear view is omitted since the rear is a mirror image of the front side view;
 FIG. 3 is a left side view thereof, additionally the right side view is omitted since the right side view is a mirror image of the left side view;
 FIG. 4 is a top view thereof;
 FIG. 5 is another perspective view thereof, wherein a top plate of the present design is raised;
 FIG. 6 is another front view thereof, wherein the top plate of the present design is raised;
 FIG. 7 is another left side view thereof, wherein the top plate of the present design is raised; and,
 FIG. 8 is another left side view thereof, shown in environmental use, wherein the top plate of the present design is raised, an object to be conveyed is disposed on the present design on a walking surface.
 A bottom view of the present design is omitted since it does not contain ornamental features. The dash lines of the object to be conveyed and the walking surface in FIG. 8 represent the environment only and form no part of the claimed design.

(56) **References Cited**
U.S. PATENT DOCUMENTS

- D625,059 S * 10/2010 Morenstein D32/21
- D661,282 S * 6/2012 Tatara D14/218
- D669,013 S * 10/2012 Schreuder D12/345
- D719,862 S * 12/2014 Fiedler D10/106.95
- D720,510 S * 12/2014 Shin D32/21
- D720,511 S * 12/2014 Shin D32/21
- D788,017 S * 5/2017 Smallhorn D12/345
- 9,682,772 B2 * 6/2017 Yoon B60F 5/02
- D795,786 S * 8/2017 Smallhorn D12/345

1 Claim, 6 Drawing Sheets



(56)

References Cited

U.S. PATENT DOCUMENTS

D843,888 S * 3/2019 Wang D12/16.1
D848,348 S * 5/2019 Long D12/345
D849,154 S * 5/2019 Zhao D21/436
D860,110 S * 9/2019 Long D12/345
D861,573 S * 10/2019 He D12/328
D864,022 S * 10/2019 Gan D12/16.1
D864,270 S * 10/2019 Hu D15/199
2013/0340201 A1* 12/2013 Jang A47L 9/009
15/319
2016/0059961 A1* 3/2016 Deutsch A63H 27/02
701/2
2017/0157771 A1* 6/2017 Jung B25J 9/1697
2017/0267334 A1* 9/2017 Tsai G06T 7/11
2019/0039719 A1* 2/2019 Baek B64C 11/04

* cited by examiner

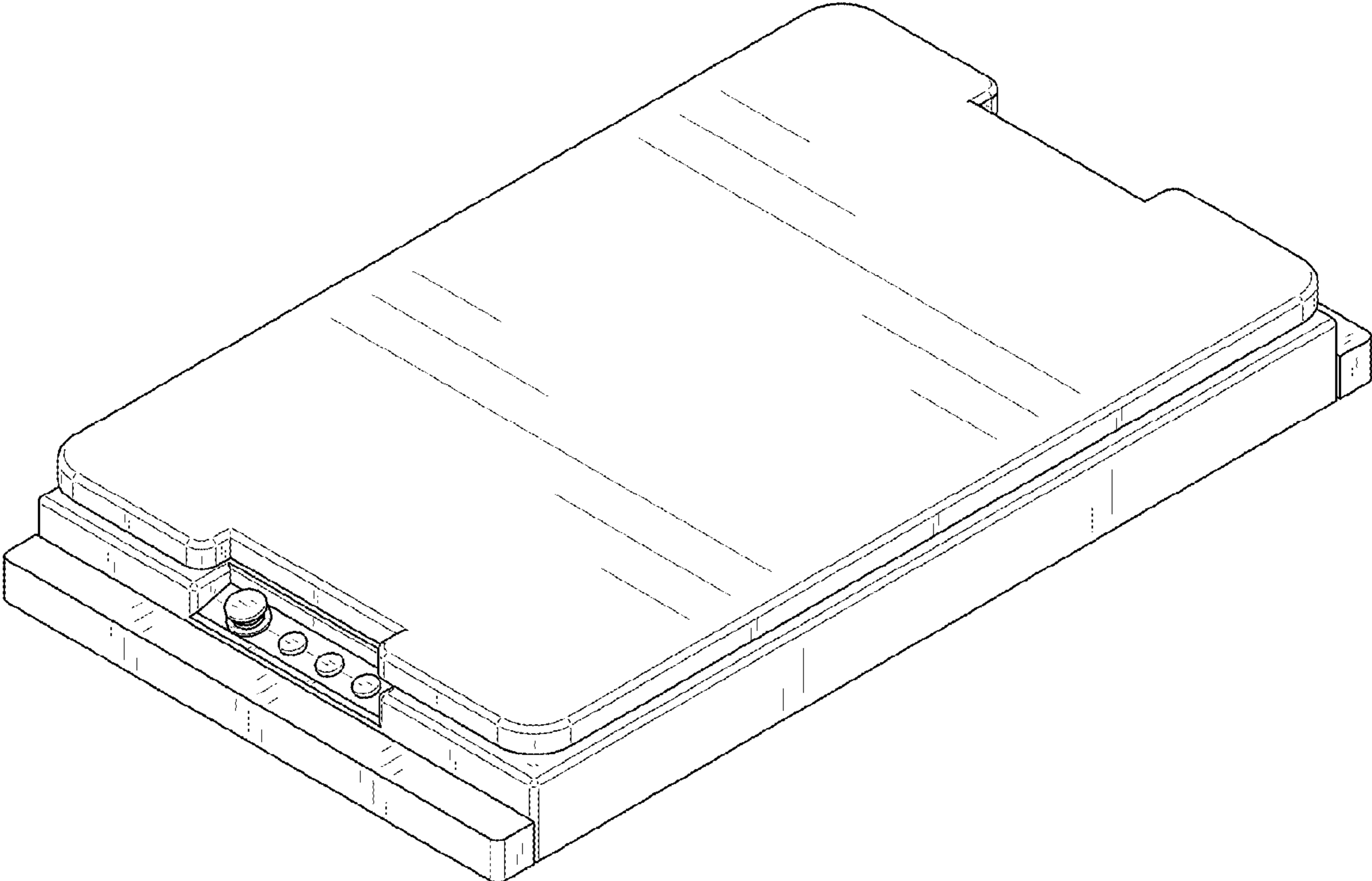


FIG. 1

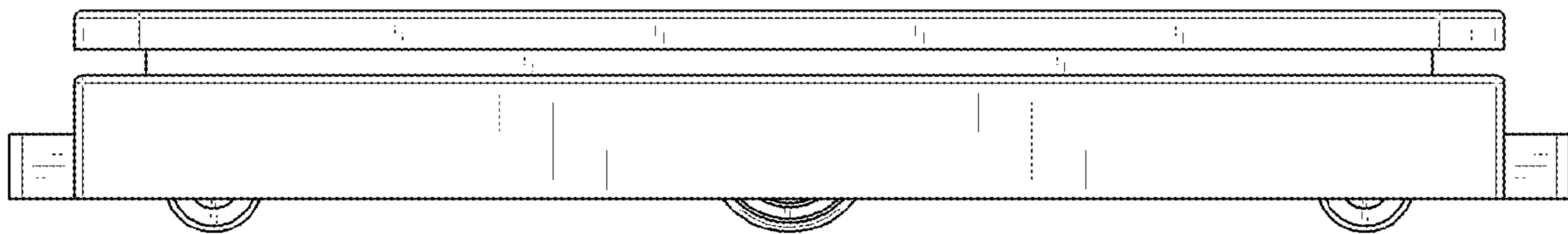


FIG. 2

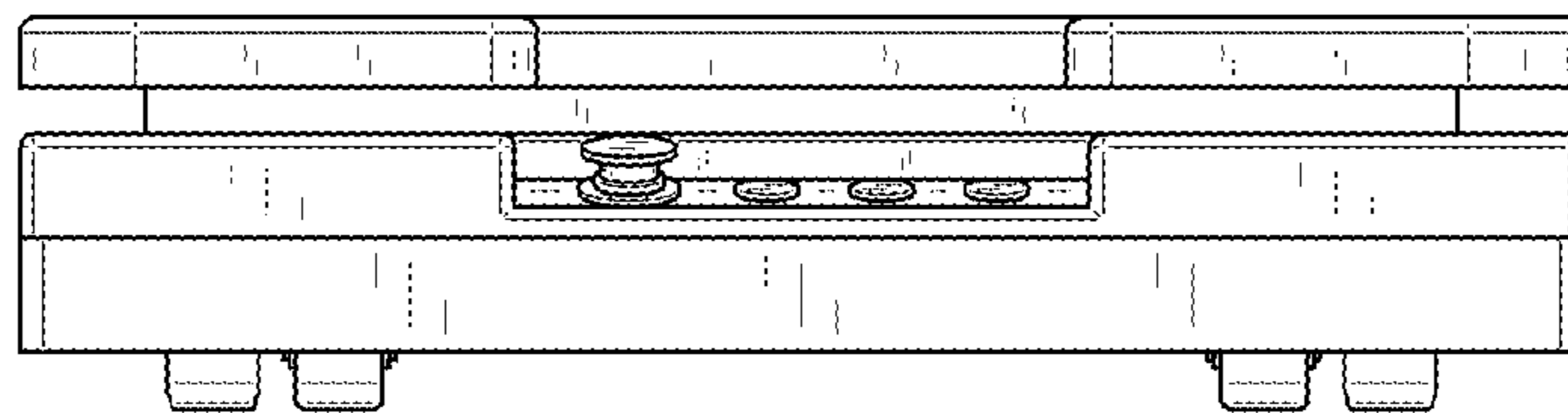


FIG. 3

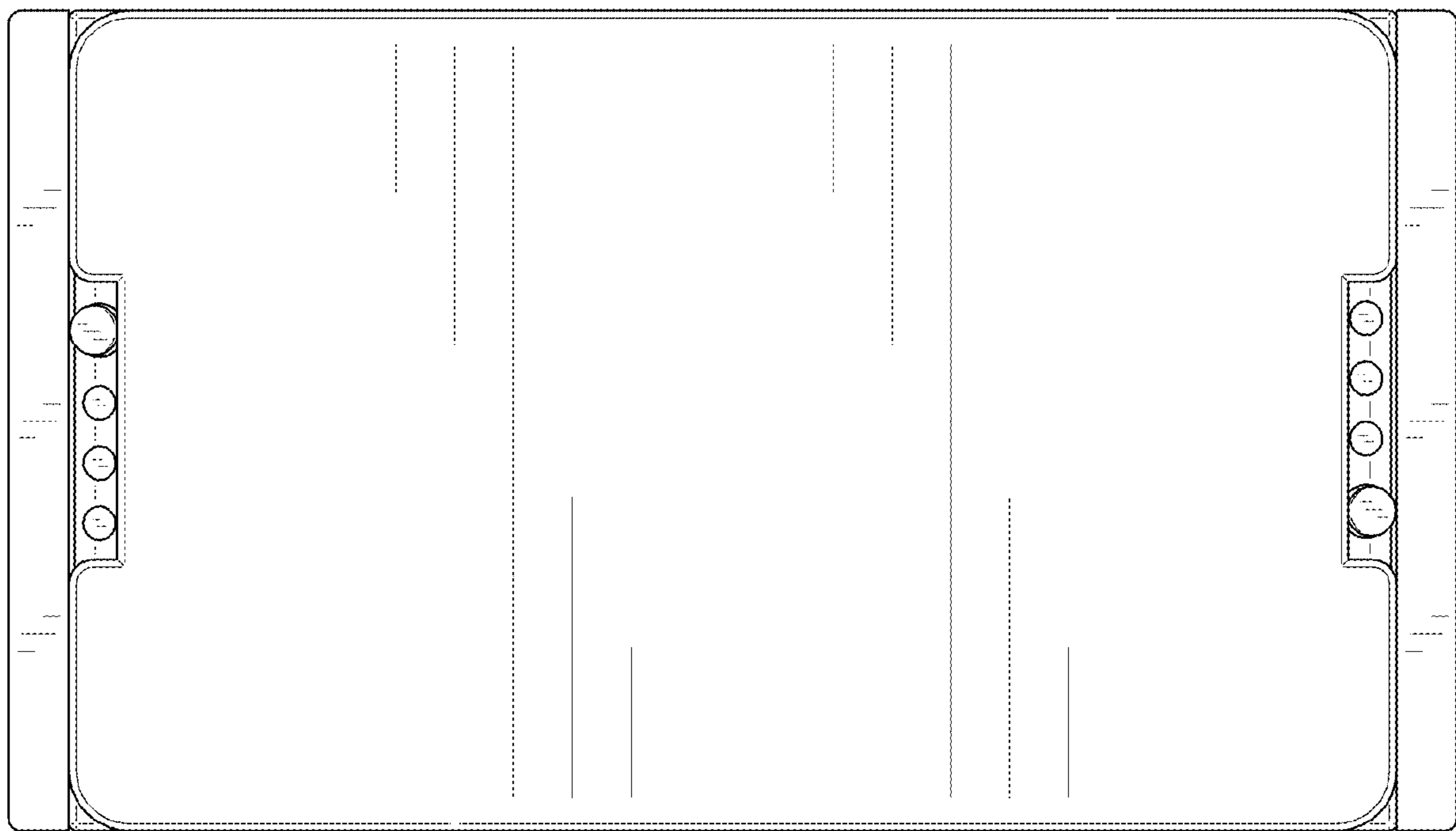


FIG. 4

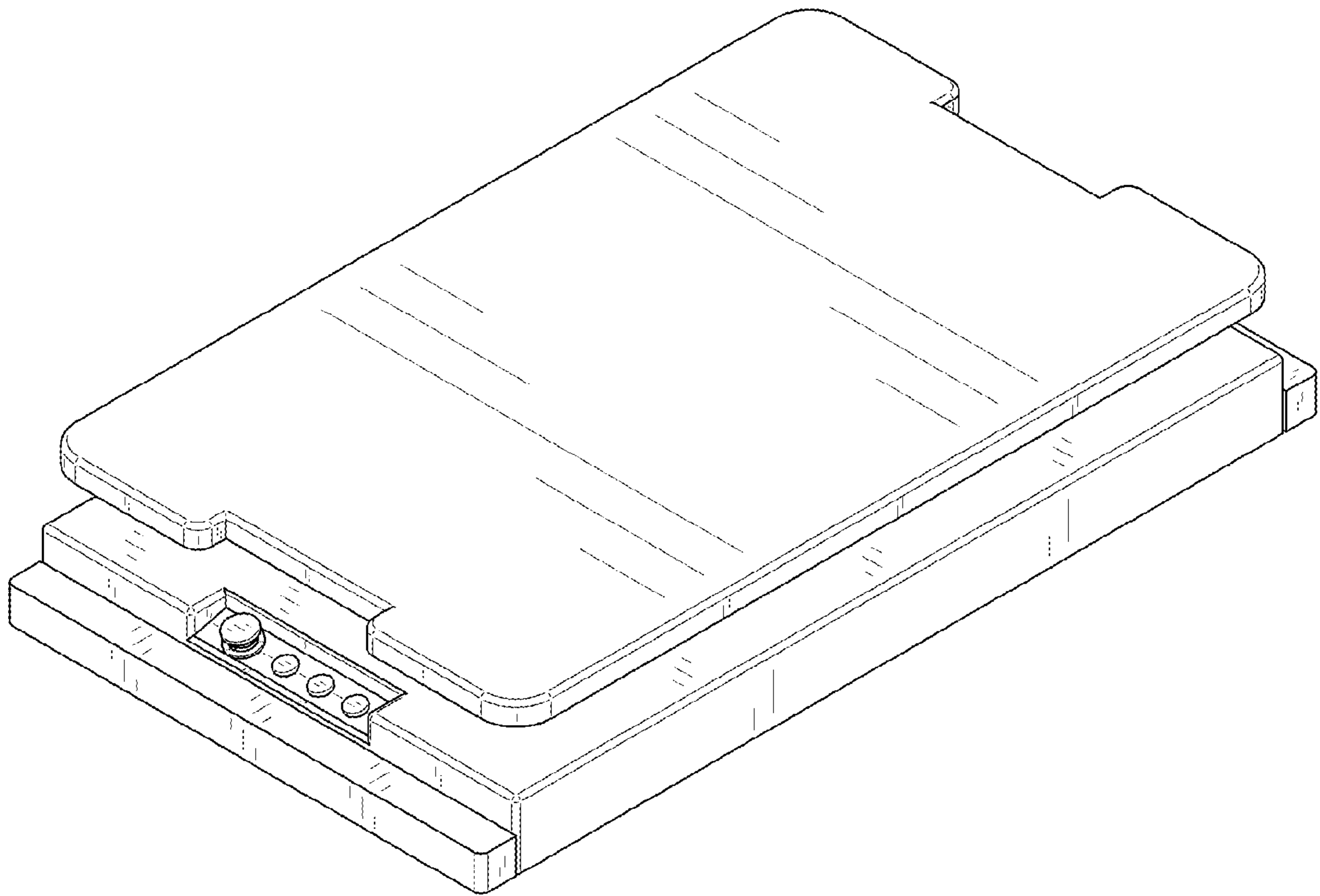


FIG. 5

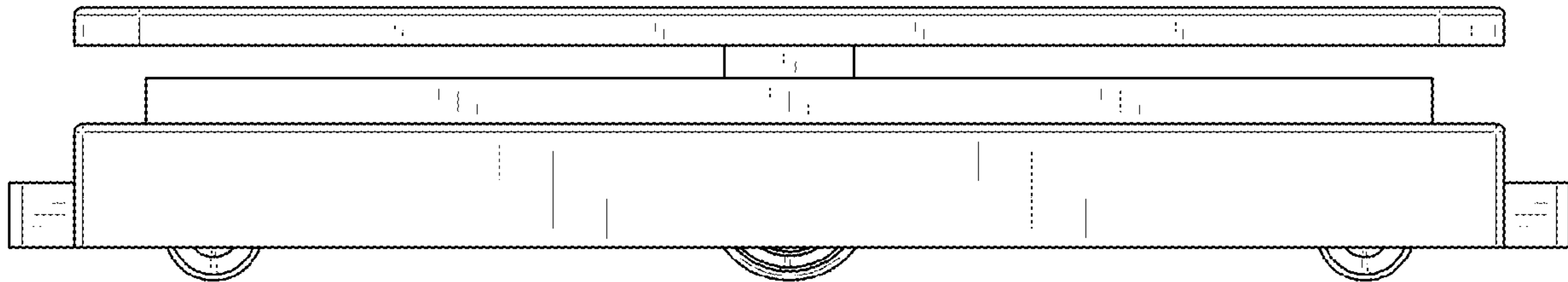


FIG. 6

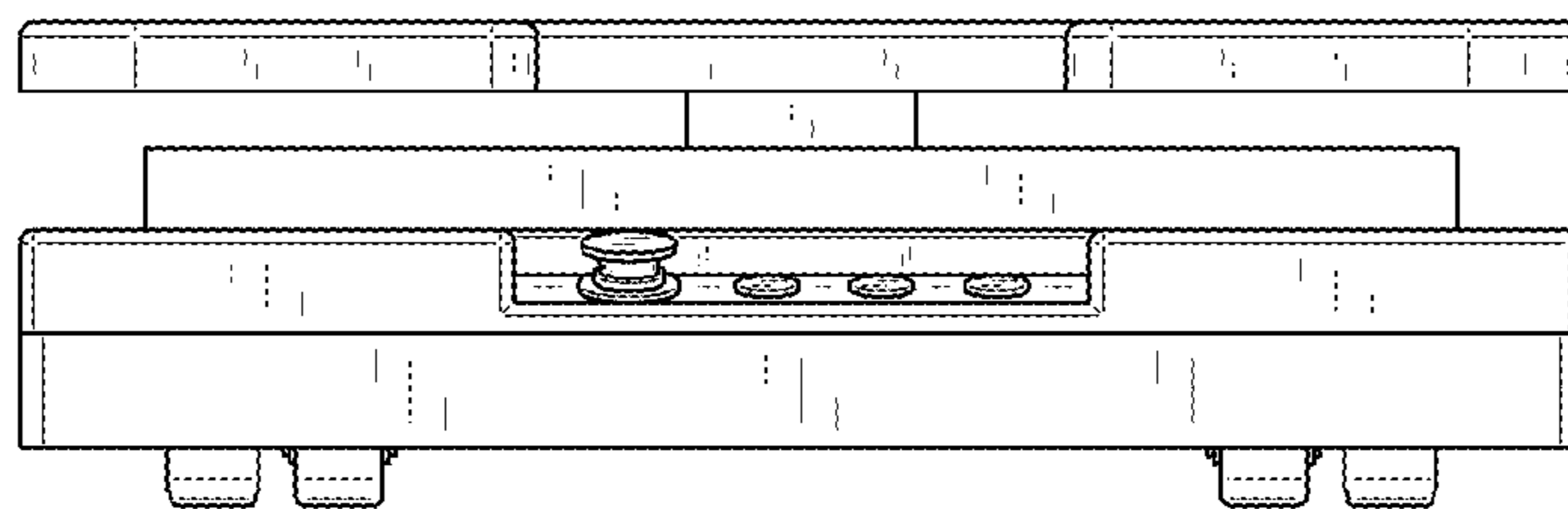


FIG. 7

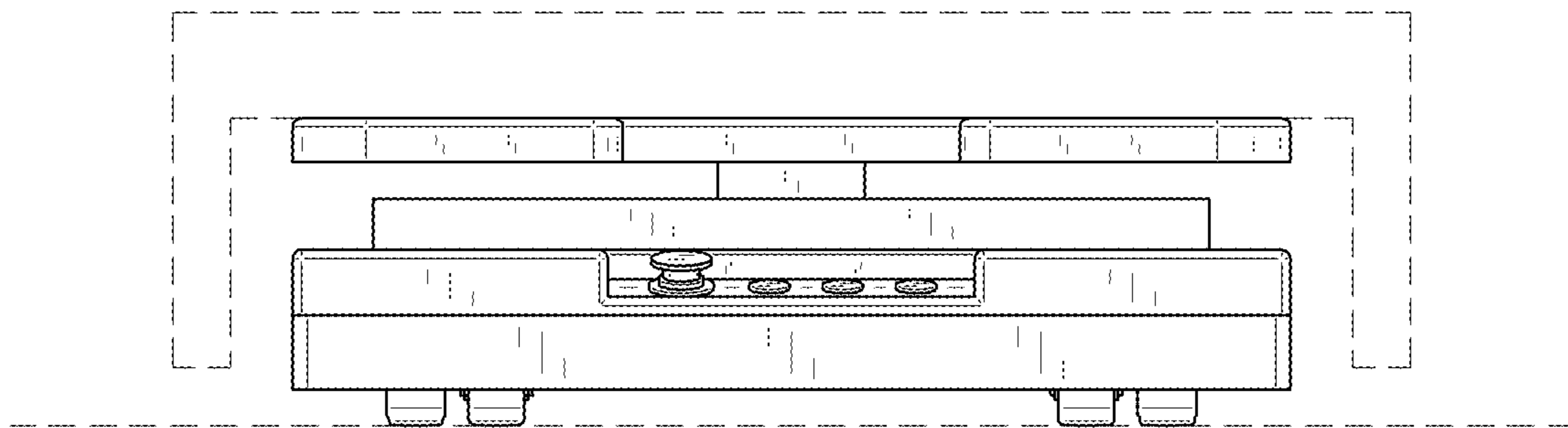


FIG. 8