



US00D880549S

(12) **United States Design Patent**
Nagayama et al.

(10) **Patent No.:** **US D880,549 S**
(45) **Date of Patent:** **** Apr. 7, 2020**

(54) **INDUSTRIAL ROBOT**
(71) Applicant: **FANUC CORPORATION**, Yamanashi (JP)
(72) Inventors: **Tomoaki Nagayama**, Yamanashi (JP); **Hideyuki Watanabe**, Yamanashi (JP); **Kei Watanabe**, Yamanashi (JP); **Makoto Ichikawa**, Yamanashi (JP)
(73) Assignee: **FANUC CORPORATION**, Yamanashi (JP)
(**) Term: **15 Years**
(21) Appl. No.: **29/648,868**
(22) Filed: **May 24, 2018**

D818,511 S * 5/2018 Li D15/199
D833,496 S * 11/2018 Liu D15/199
D833,499 S * 11/2018 Wang D15/199
D839,942 S * 2/2019 Feng D15/199
D847,890 S * 5/2019 Liu D15/199
10,384,342 B2 * 8/2019 Adachi B25J 9/046
D860,280 S * 9/2019 Gulassa D15/199
2005/0166699 A1 * 8/2005 Meyerhoff B25J 9/044
74/490.01
2014/0109712 A1 * 4/2014 Ono B25J 9/042
74/490.02
2015/0114161 A1 * 4/2015 Kawase B25J 9/0009
74/490.01
2015/0321344 A1 * 11/2015 Hahakura B25J 19/04
74/490.02
2017/0182658 A1 * 6/2017 Bordegnoni B25J 9/0009
2017/0232545 A1 * 8/2017 Lahti B23K 9/133
219/137.63
2017/0239810 A1 * 8/2017 Bordegnoni B25J 9/044
2018/0229360 A1 * 8/2018 Adachi B25J 9/042

* cited by examiner

(30) **Foreign Application Priority Data**

Nov. 24, 2017 (JP) 2017-026186

(51) **LOC (12) Cl.** **15-99**

(52) **U.S. Cl.**
USPC **D15/199**

(58) **Field of Classification Search**
USPC D15/199; D21/578-583, 621, 622
CPC B23K 9/133; B23K 9/287; B25J 9/0018;
B25J 9/0025; Y10T 74/20; Y10T
74/20207; Y10T 74/20307; Y10T
74/20311

See application file for complete search history.

(56) **References Cited**

U.S. PATENT DOCUMENTS

D293,324 S * 12/1987 Gotou D15/122
D343,630 S * 1/1994 Tomiyama D15/199
D503,943 S * 4/2005 Kawaguchi D15/199
D625,347 S * 10/2010 Feng D15/199
D769,954 S * 10/2016 Kinoshita D15/199
D790,618 S * 6/2017 Ke D15/199
D800,199 S * 10/2017 Yang D15/199

Primary Examiner — Patricia A Palasik

(74) *Attorney, Agent, or Firm* — Banner & Witcoff, Ltd.

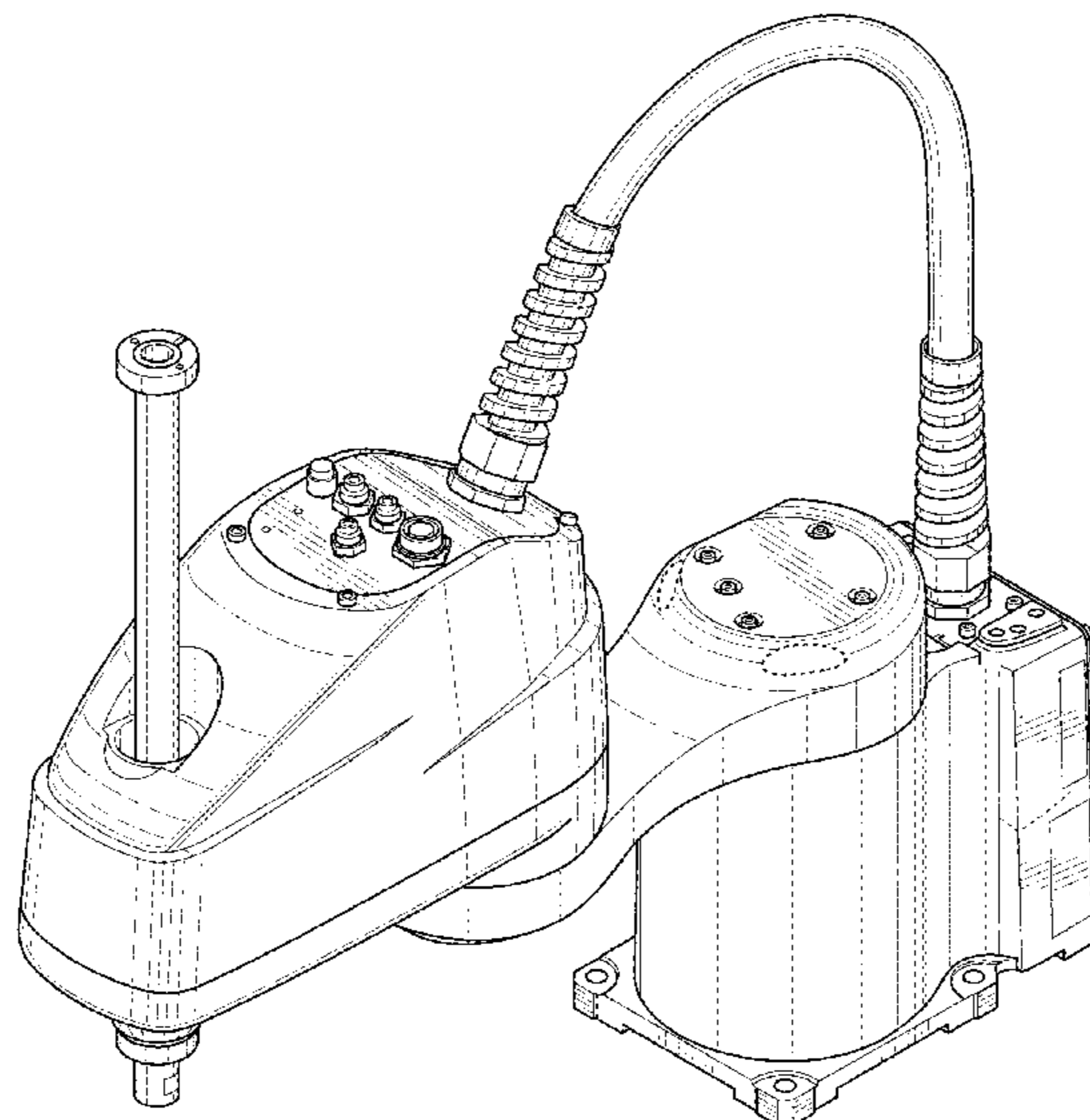
(57) **CLAIM**

The ornamental design for an industrial robot, as shown and described.

DESCRIPTION

FIG. 1 is a front perspective view of an industrial robot showing our new design;
FIG. 2 is a rear perspective view thereof;
FIG. 3 is a right side view thereof;
FIG. 4 is a left side view thereof;
FIG. 5 is a top plan view thereof;
FIG. 6 is a bottom view thereof;
FIG. 7 is a rear view thereof; and,
FIG. 8 is a front view thereof.
The broken line showing of the remainder of the industrial robot forms no part of the claimed design.

1 Claim, 8 Drawing Sheets



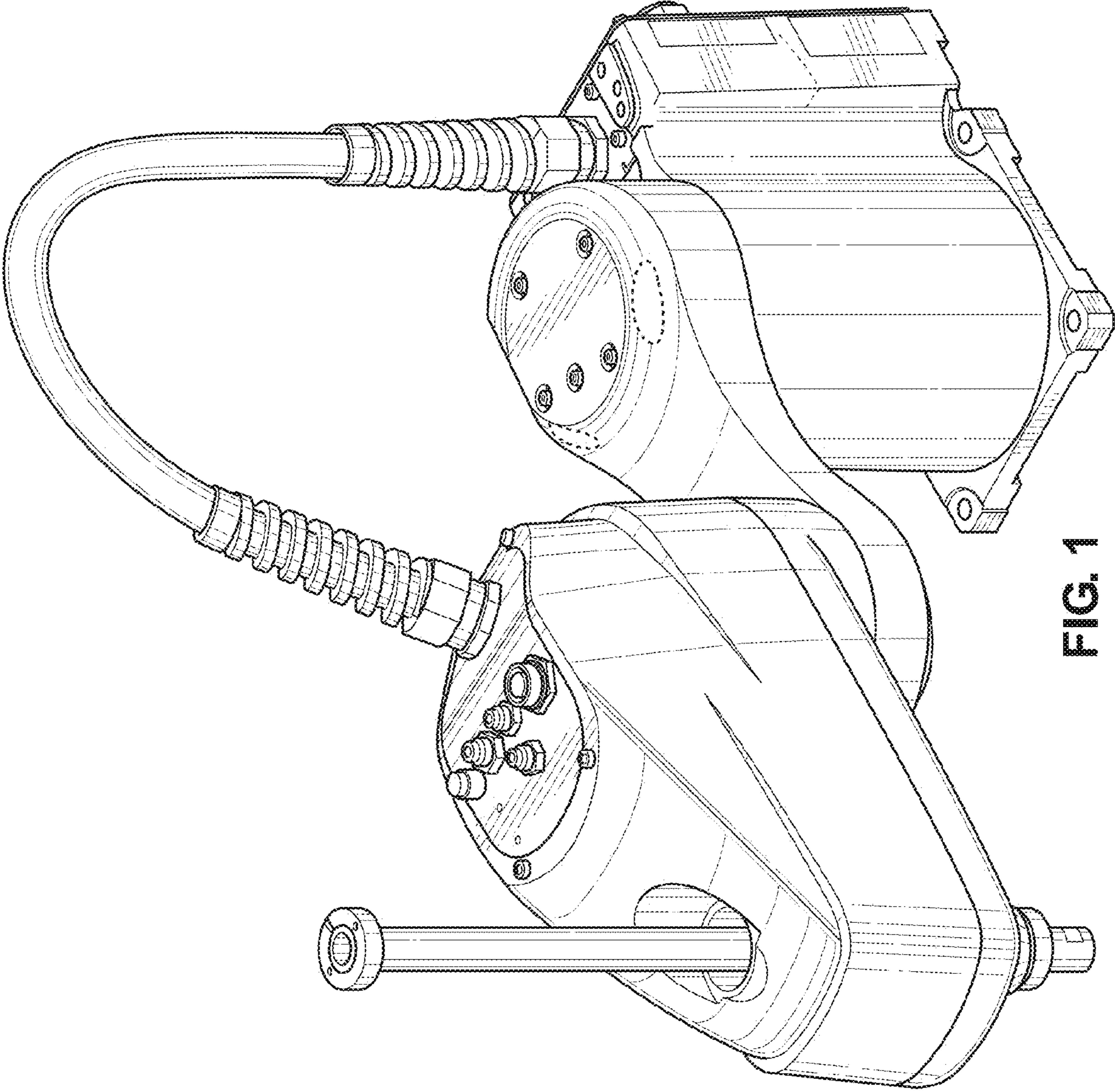


FIG. 1

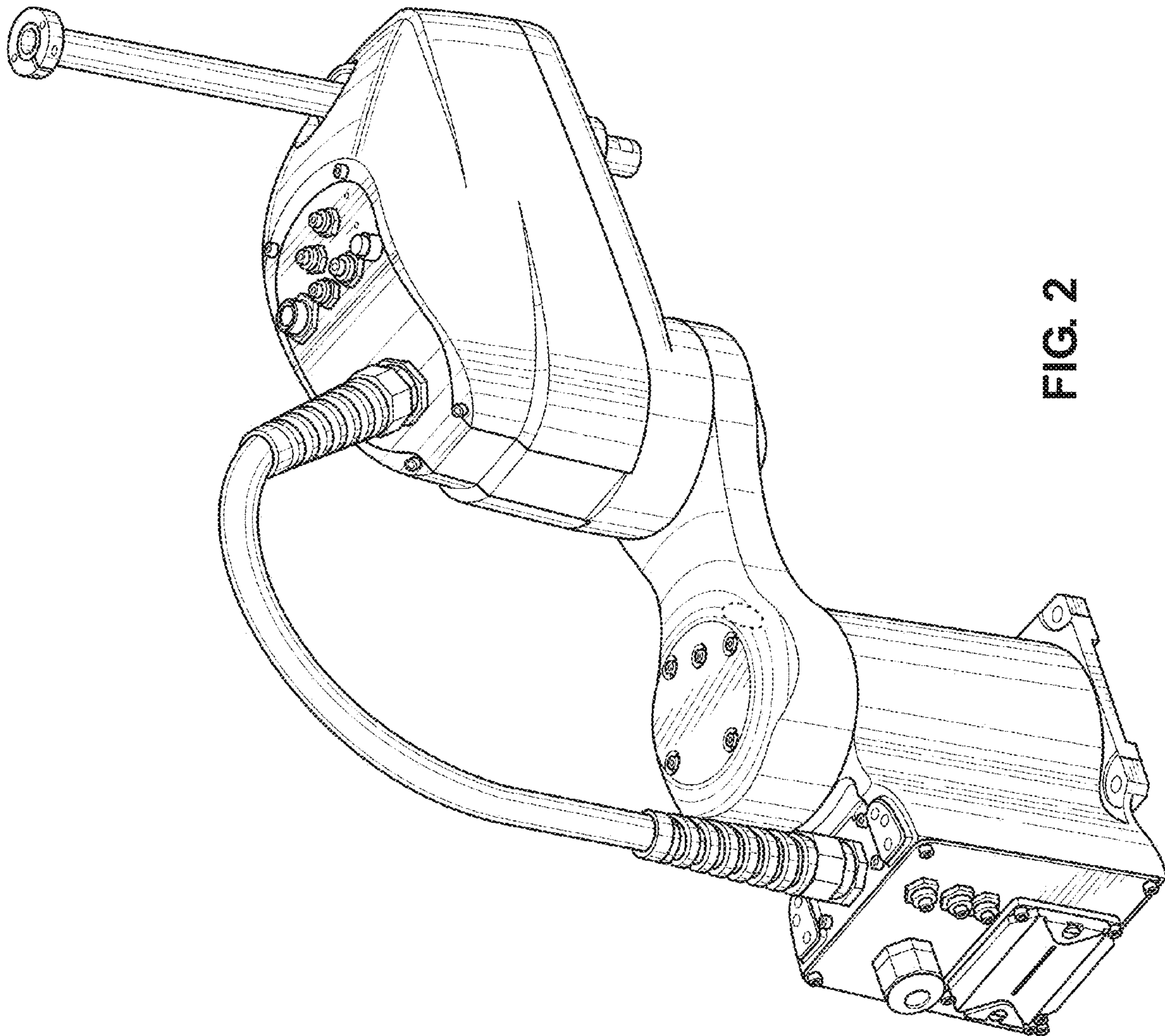


FIG. 2

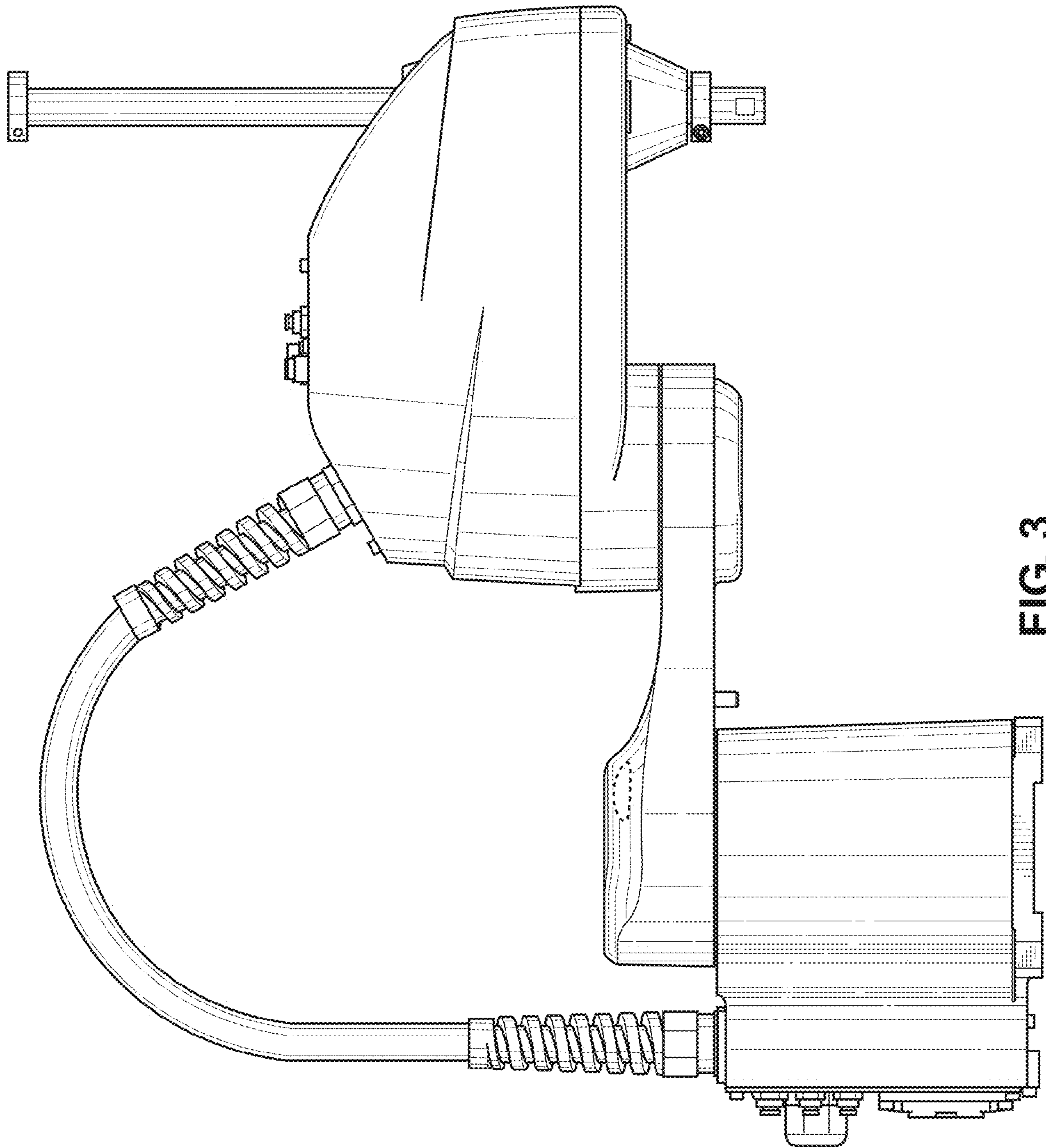


FIG. 3

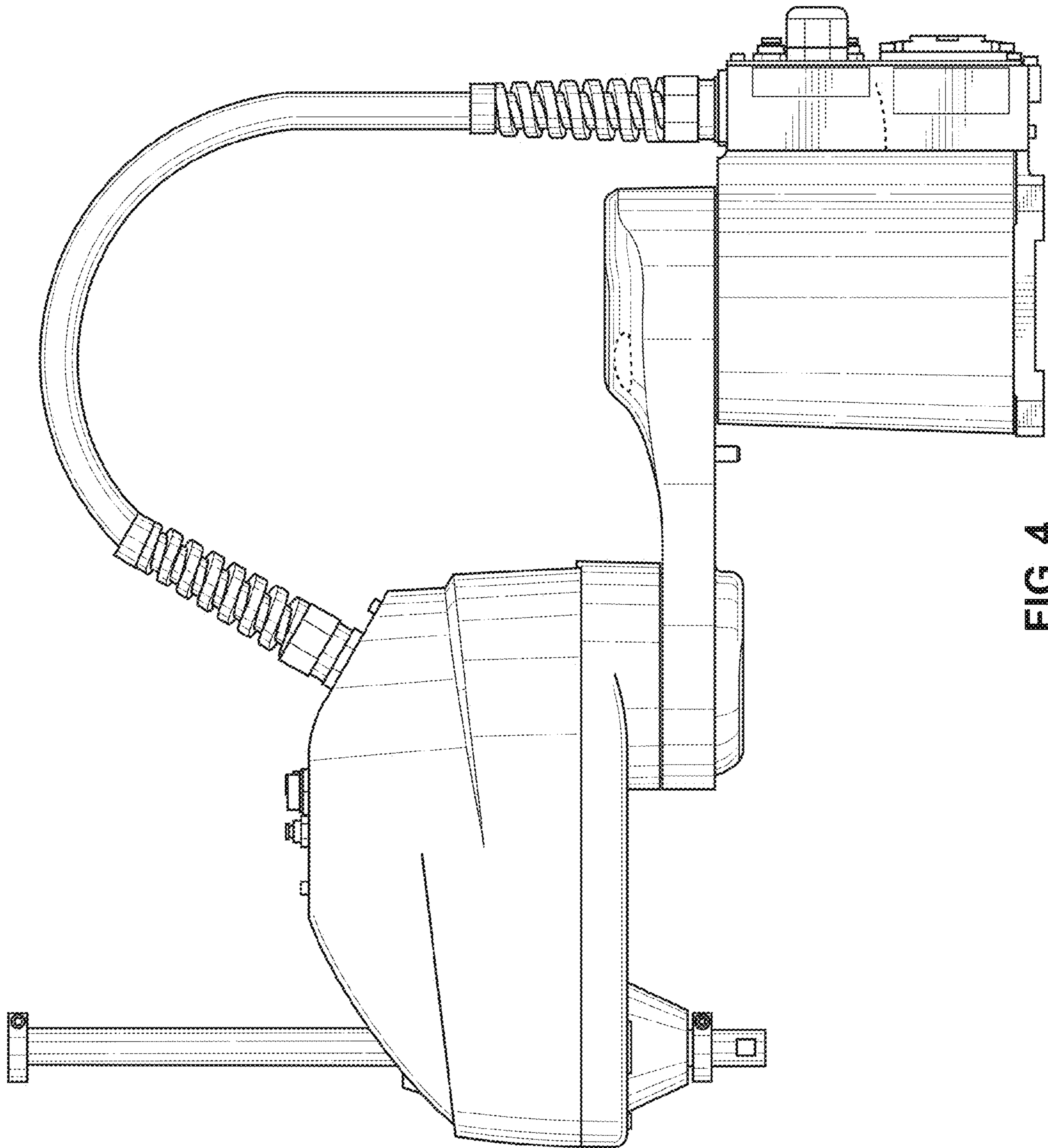


FIG. 4

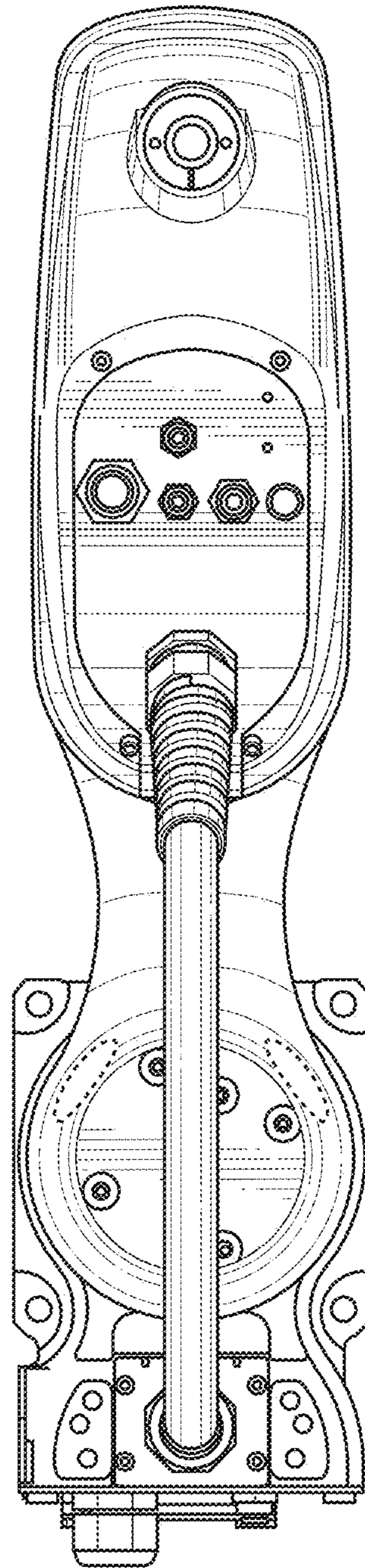


FIG. 5

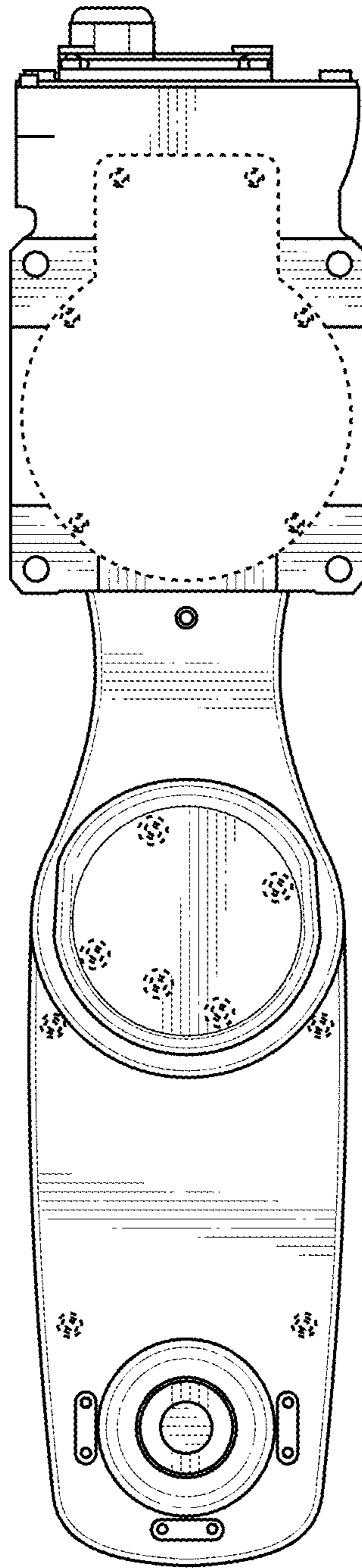


FIG. 6

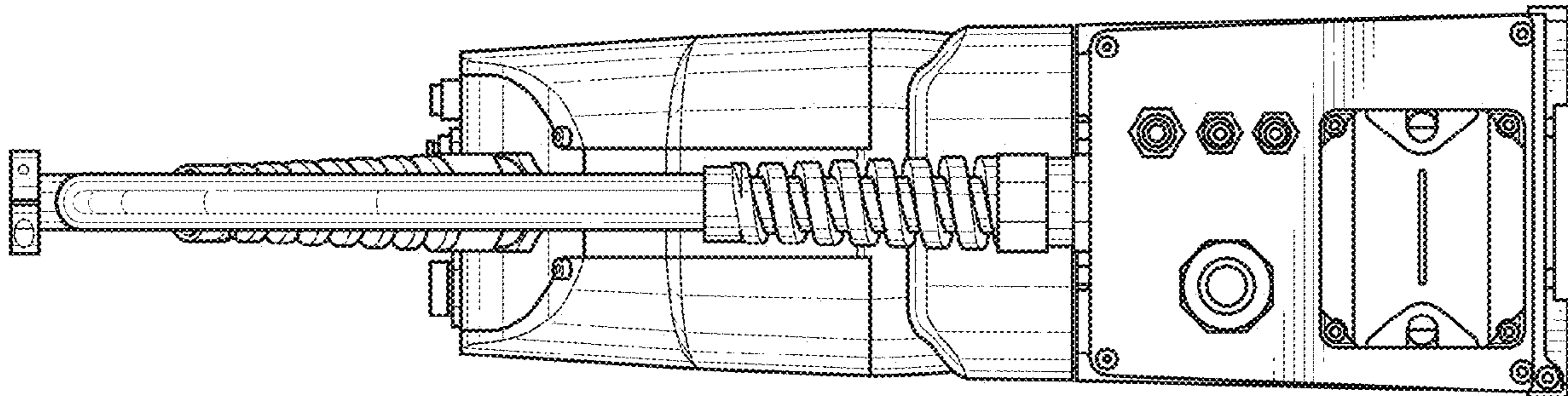


FIG. 7

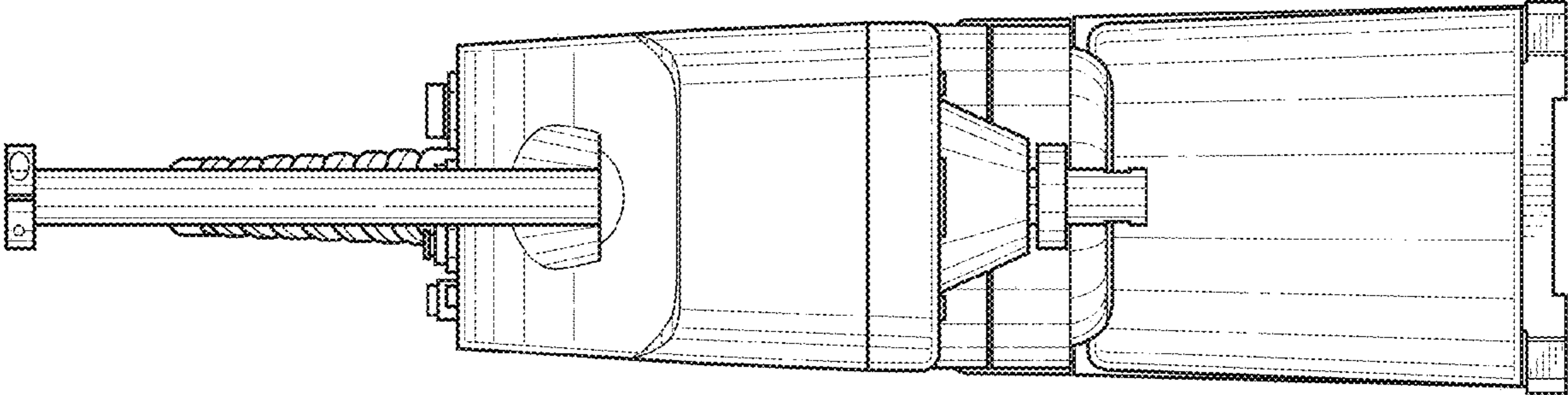


FIG. 8