



US00D880548S

(12) **United States Design Patent**
Haddadin et al.

(10) **Patent No.:** **US D880,548 S**
(45) **Date of Patent:** **** Apr. 7, 2020**

(54) **ROBOT PILOTHEAD CONTROLLER**
(71) Applicant: **Franka Emika GmbH**, Munich (DE)
(72) Inventors: **Sami Haddadin**, Hannover (DE);
Tobias Ende, Munich (DE)
(73) Assignee: **FRANKA EMIKA GMBH** (DE)
(**) Term: **15 Years**
(21) Appl. No.: **29/623,198**
(22) Filed: **Oct. 23, 2017**

1,822,649 A * 9/1931 Evans B23C 3/05
29/271
1,940,220 A * 12/1933 McGrath B23B 41/02
408/118
1,945,741 A * 2/1934 Gray B25B 23/04
7/165
4,026,371 A * 5/1977 Takada E21B 7/046
175/19
D615,574 S * 5/2010 Liu D15/199
D681,708 S * 5/2013 Miyake D15/199
D711,061 S * 8/2014 Chen D34/29
D713,436 S * 9/2014 Liu D15/199
D769,343 S * 10/2016 Bordegnoni D15/199
D790,618 S * 6/2017 Ke D15/199
D809,041 S * 1/2018 Zhang D15/199

(Continued)

(30) **Foreign Application Priority Data**

Apr. 23, 2017 (DE) 40 2017 000 537

(51) **LOC (12) Cl.** **15-99**
(52) **U.S. Cl.**
USPC **D15/199**
(58) **Field of Classification Search**
USPC D15/199; D21/578-583, 621, 622;
D32/21
CPC B25J 9/044; B25J 9/102; G06F 3/0485;
Y10T 74/20305
See application file for complete search history.

Primary Examiner — Patricia A Palasik
(74) *Attorney, Agent, or Firm* — Grossman, Tucker,
Perreault & Pflieger, PLLC

(57) **CLAIM**

The ornamental design for a robot pilothed controller, as shown and described.

DESCRIPTION

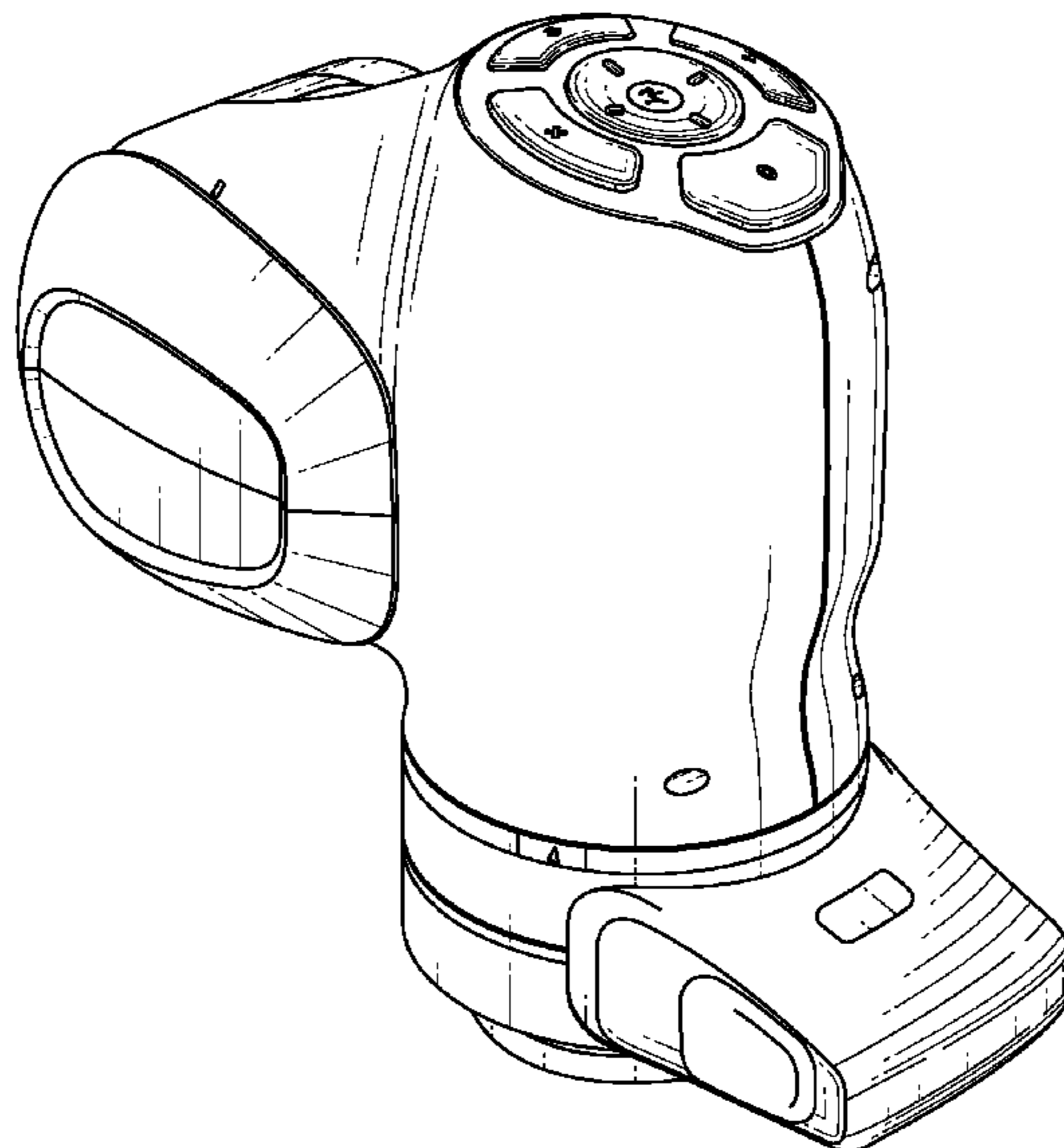
FIG. 1 is a front view of a robot pilothed controller of the present invention;
FIG. 2 is a rear view of the robot pilothed controller shown in FIG. 1;
FIG. 3 is a right side view of the robot pilothed controller shown in FIG. 1;
FIG. 4 is a left side view of the robot pilothed controller shown in FIG. 1;
FIG. 5 is a top view of the robot pilothed controller shown in FIG. 1;
FIG. 6 is a bottom view of the robot pilothed controller shown in FIG. 1; and,
FIG. 7 is a left side perspective view of the robot pilothed controller shown in FIG. 1.

(56) **References Cited**

U.S. PATENT DOCUMENTS

1,414,565 A * 5/1922 Gallagher B23D 77/042
144/230
1,636,032 A * 7/1927 Abbott E21B 7/061
166/117.6
1,677,902 A * 7/1928 Robinson B61G 5/08
285/28
1,766,136 A * 6/1930 Markstrum B23B 31/113
279/89
1,773,637 A * 8/1930 Stancliff B25B 27/023
29/256
1,784,534 A * 12/1930 Nichol A01B 69/008
104/244.1

1 Claim, 7 Drawing Sheets



(56)

References Cited

U.S. PATENT DOCUMENTS

D810,801 S * 2/2018 Hsu D15/199
D818,019 S * 5/2018 Huang D15/199
D818,020 S * 5/2018 McGinn D15/199
D833,497 S * 11/2018 Strain D15/199
D837,294 S * 1/2019 Ciniello D19/59
D837,853 S * 1/2019 Deng D15/199
D838,758 S * 1/2019 Kymm D15/199
D839,332 S * 1/2019 Bailey D15/199
D839,941 S * 2/2019 Gao D15/199
D839,942 S * 2/2019 Feng D15/199
D841,065 S * 2/2019 Hontani D15/199
D841,712 S * 2/2019 Hontani D15/199
D844,039 S * 3/2019 Yoon D15/199
10,252,350 B1 * 4/2019 Kashikar B23B 39/00
D847,890 S * 5/2019 Liu D15/199
D850,506 S * 6/2019 Bordegnoni D15/199
D860,283 S * 9/2019 Wang D15/199
D865,827 S * 11/2019 Zhang D15/199
D865,828 S * 11/2019 Bogart D15/199
10,485,409 B2 * 11/2019 Di Natali A61B 5/062
2003/0000530 A1 * 1/2003 McDonald A62B 7/14
128/205.25
2003/0226691 A1 * 12/2003 Youan E21B 21/08
175/38
2003/0226692 A1 * 12/2003 Youan E21B 7/064
175/73
2004/0261874 A1 * 12/2004 Keiper B23D 77/00
138/98
2005/0034897 A1 * 2/2005 Youan E21B 7/20
175/53
2009/0114054 A1 * 5/2009 Horiuchi B25J 9/102
74/490.05
2017/0182658 A1 * 6/2017 Bordegnoni B25J 9/0009

* cited by examiner

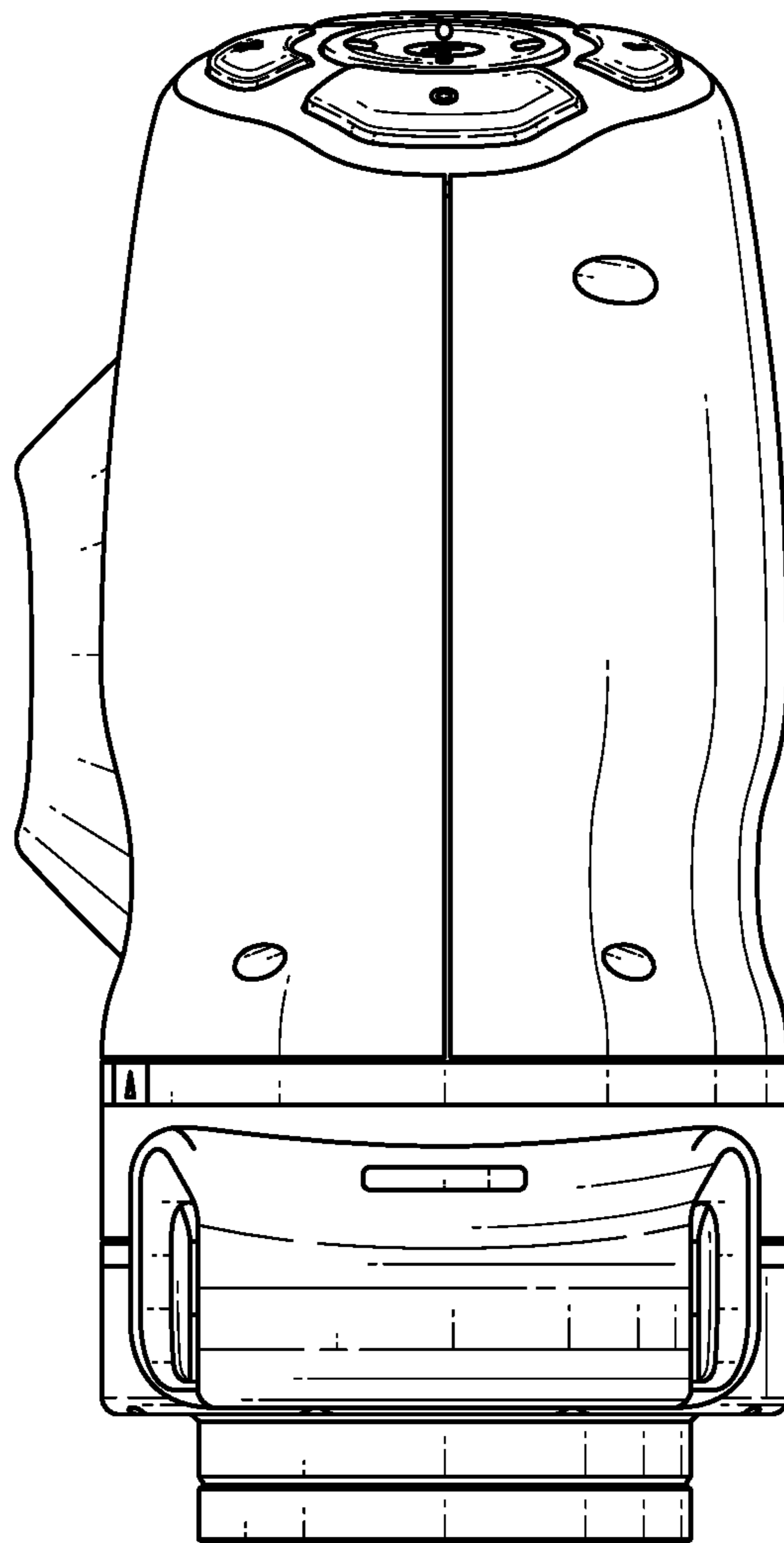


FIG. 1

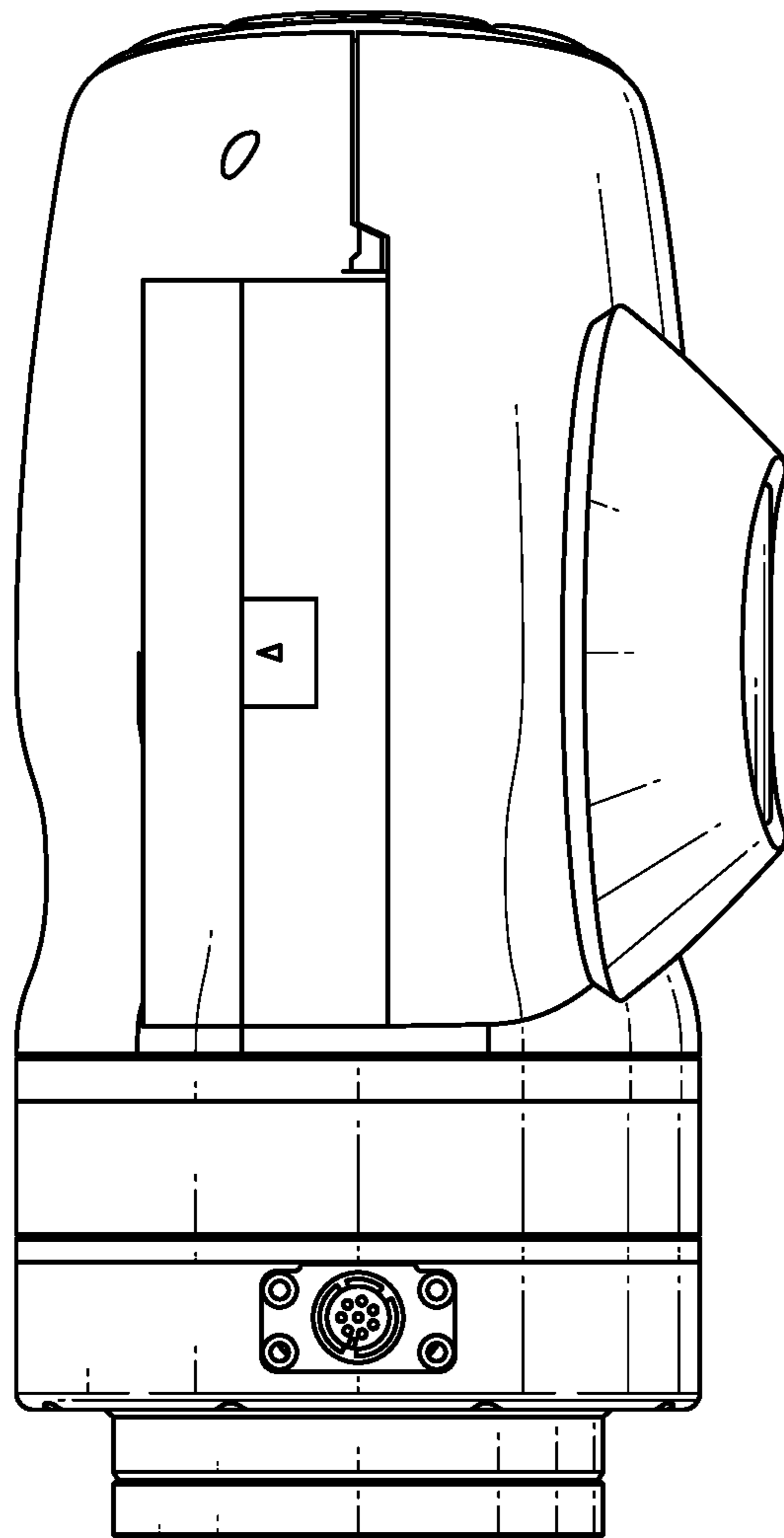


FIG. 2

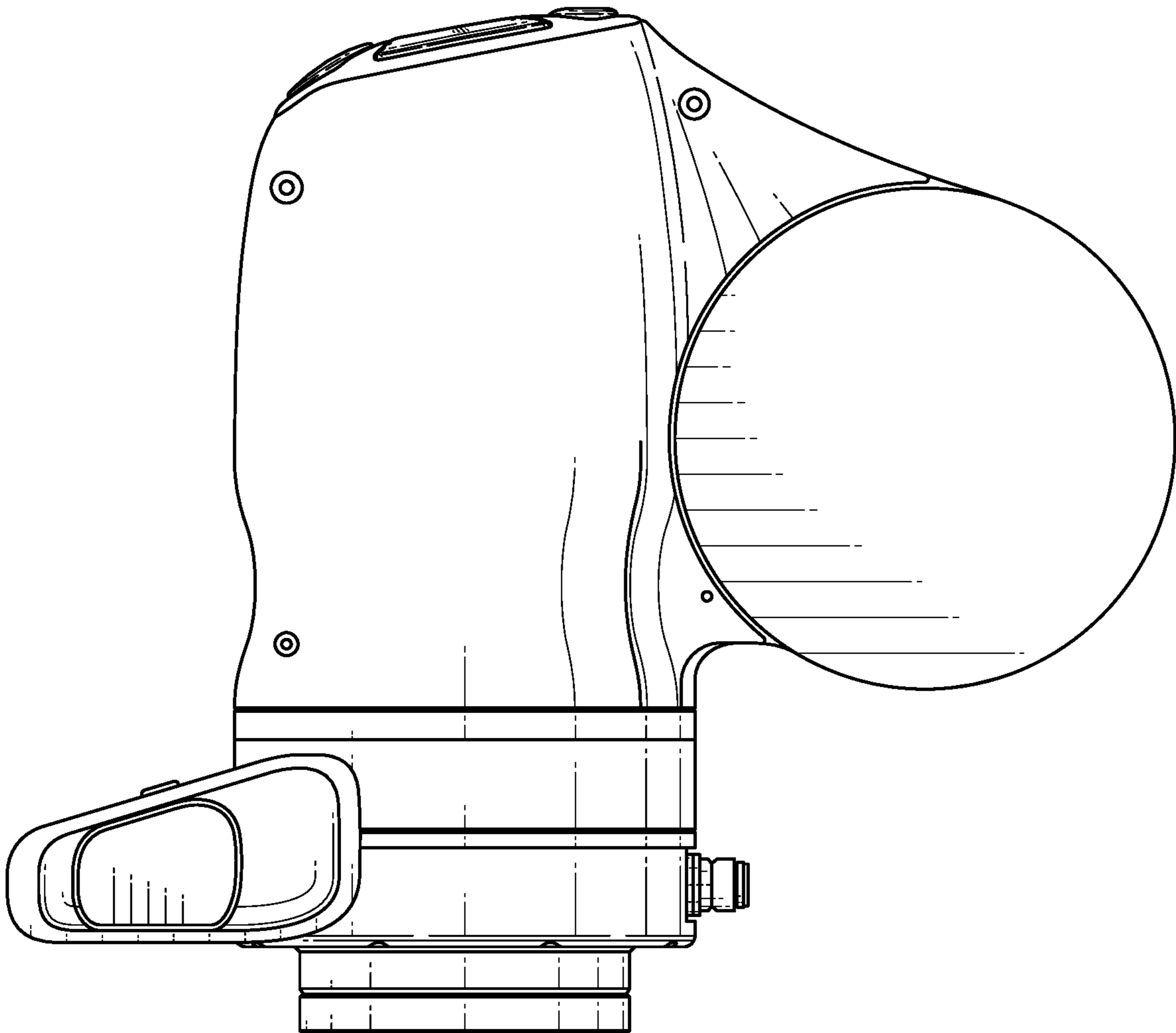


FIG. 3

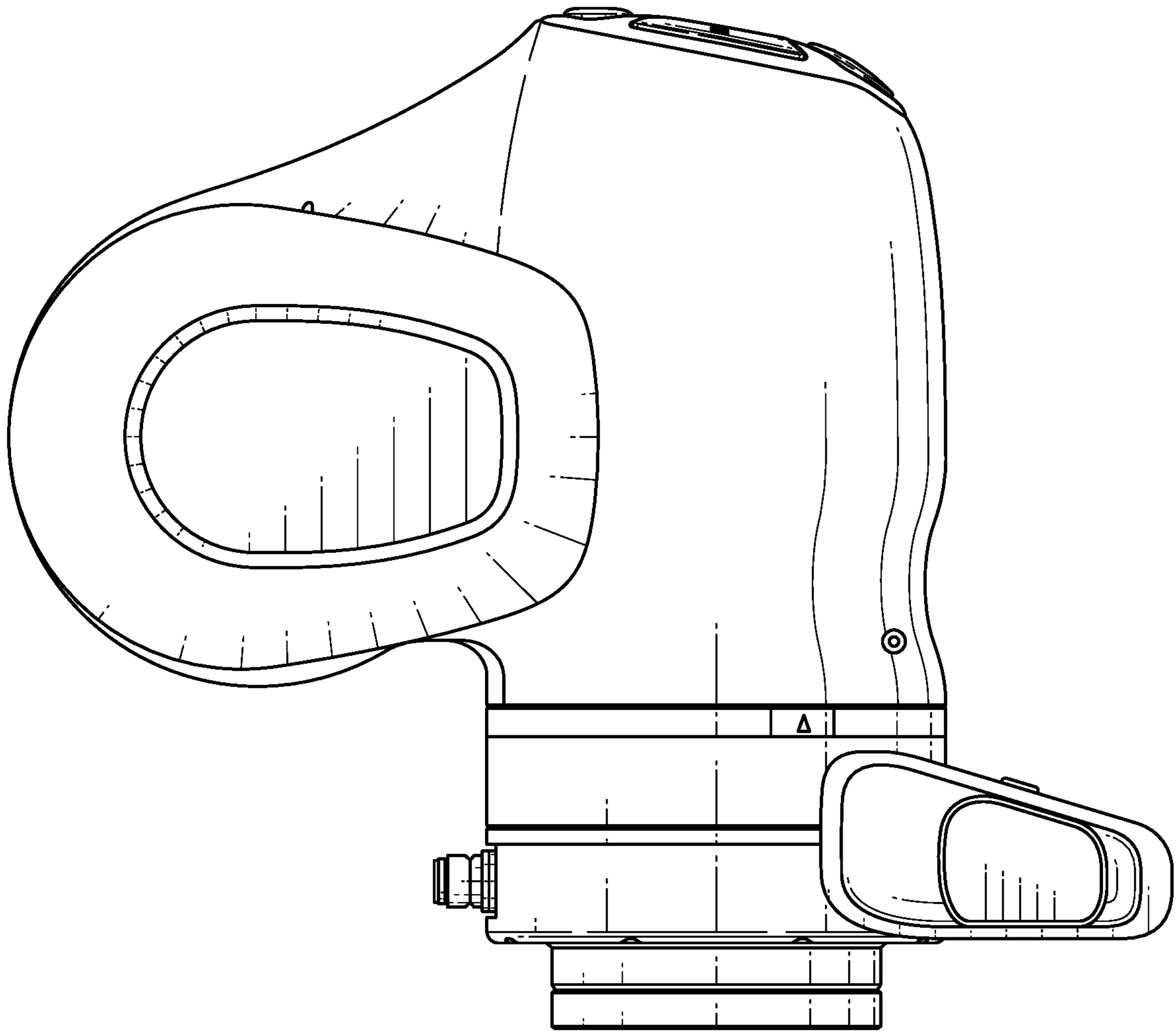


FIG. 4

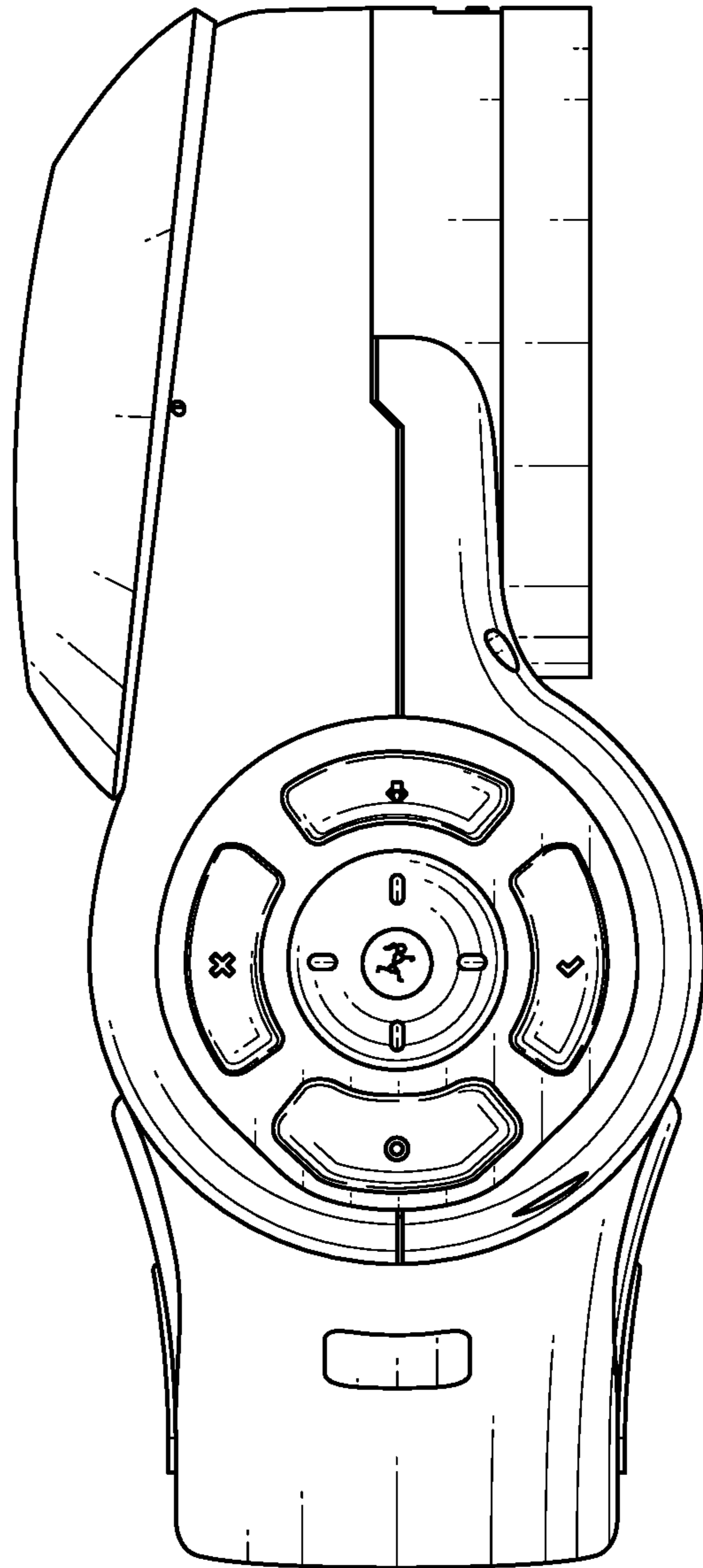


FIG. 5

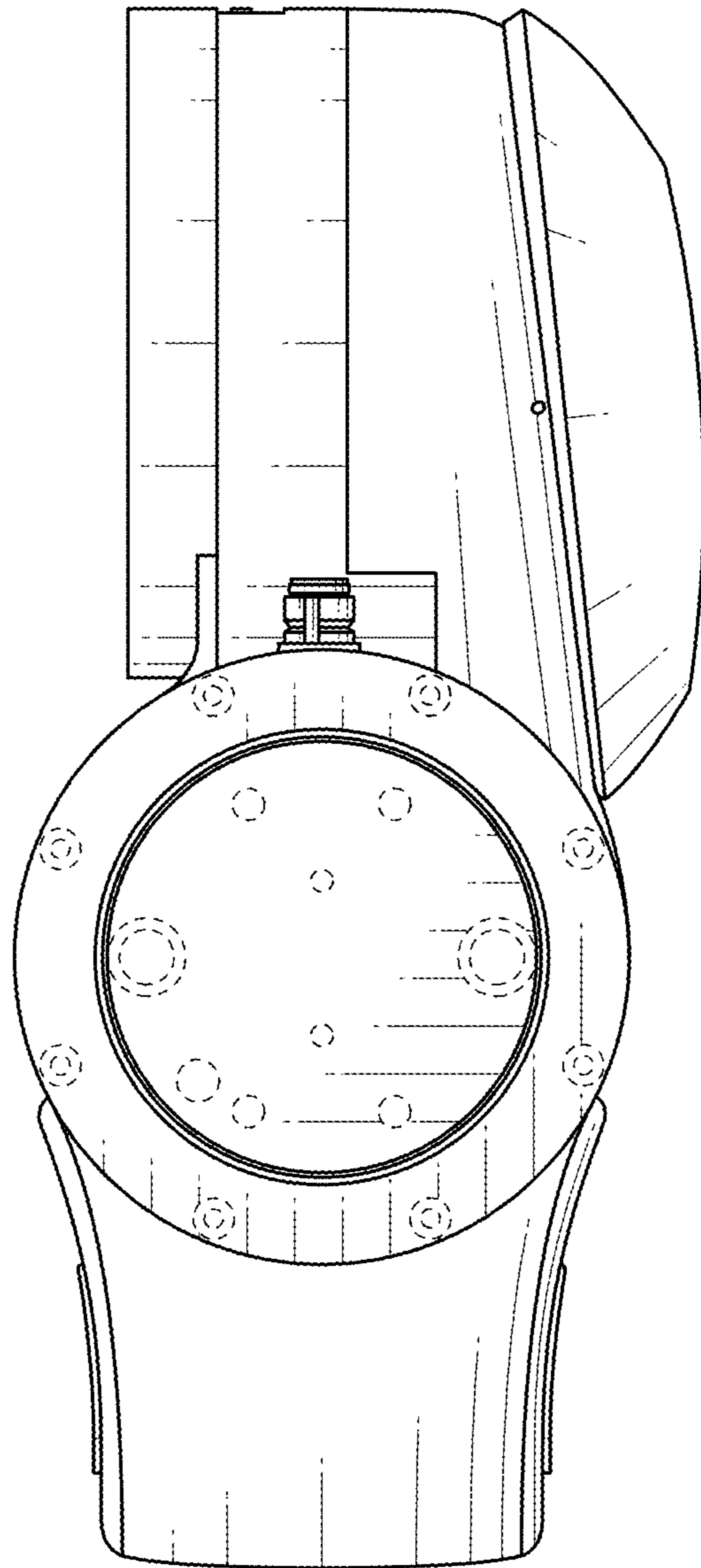


FIG. 6

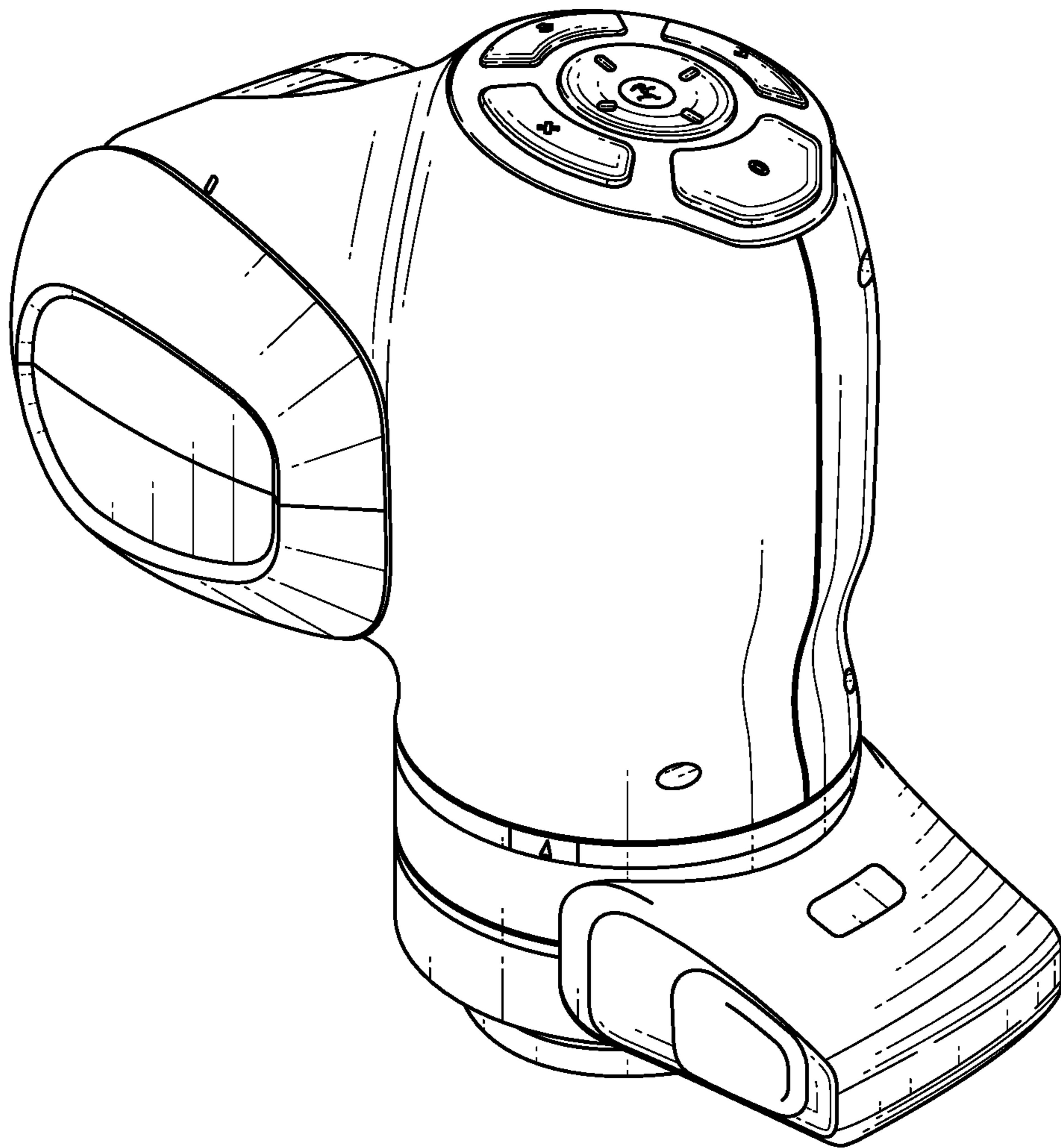


FIG. 7