



US00D880547S

(12) **United States Design Patent** (10) **Patent No.:** **US D880,547 S**
Weinberg (45) **Date of Patent:** **** Apr. 7, 2020**

(54) **CUTTING INSERT**

FOREIGN PATENT DOCUMENTS

(71) Applicant: **Illinois Tool Works Inc.**, Glenview, IL (US)

DE 8609264 5/1986
DE 29711754 12/1997

(Continued)

(72) Inventor: **Jeremy Edward Weinberg**, Oak Park, IL (US)

OTHER PUBLICATIONS

(73) Assignee: **ILLINOIS TOOL WORKS INC.**, Glenview, IL (US)

PCT, "International Search Report and Written Opinion," issued in connection with Application No. PCT/US2018/063319, dated Mar. 13, 2019, 8 pgs.

(**) Term: **15 Years**

Primary Examiner — Patricia A Palasik

(21) Appl. No.: **29/628,022**

(74) *Attorney, Agent, or Firm* — McAndrews, Held & Malloy, Ltd.

(22) Filed: **Nov. 30, 2017**

(51) **LOC (12) Cl.** **15-09**

(52) **U.S. Cl.**
USPC **D15/139**

(57) **CLAIM**

(58) **Field of Classification Search**
USPC D8/20, 70; D15/126, 131, 138, 139, 140
CPC B23C 5/109; B23C 5/207
See application file for complete search history.

The ornamental design for a cutting insert, as shown and described.

DESCRIPTION

(56) **References Cited**

U.S. PATENT DOCUMENTS

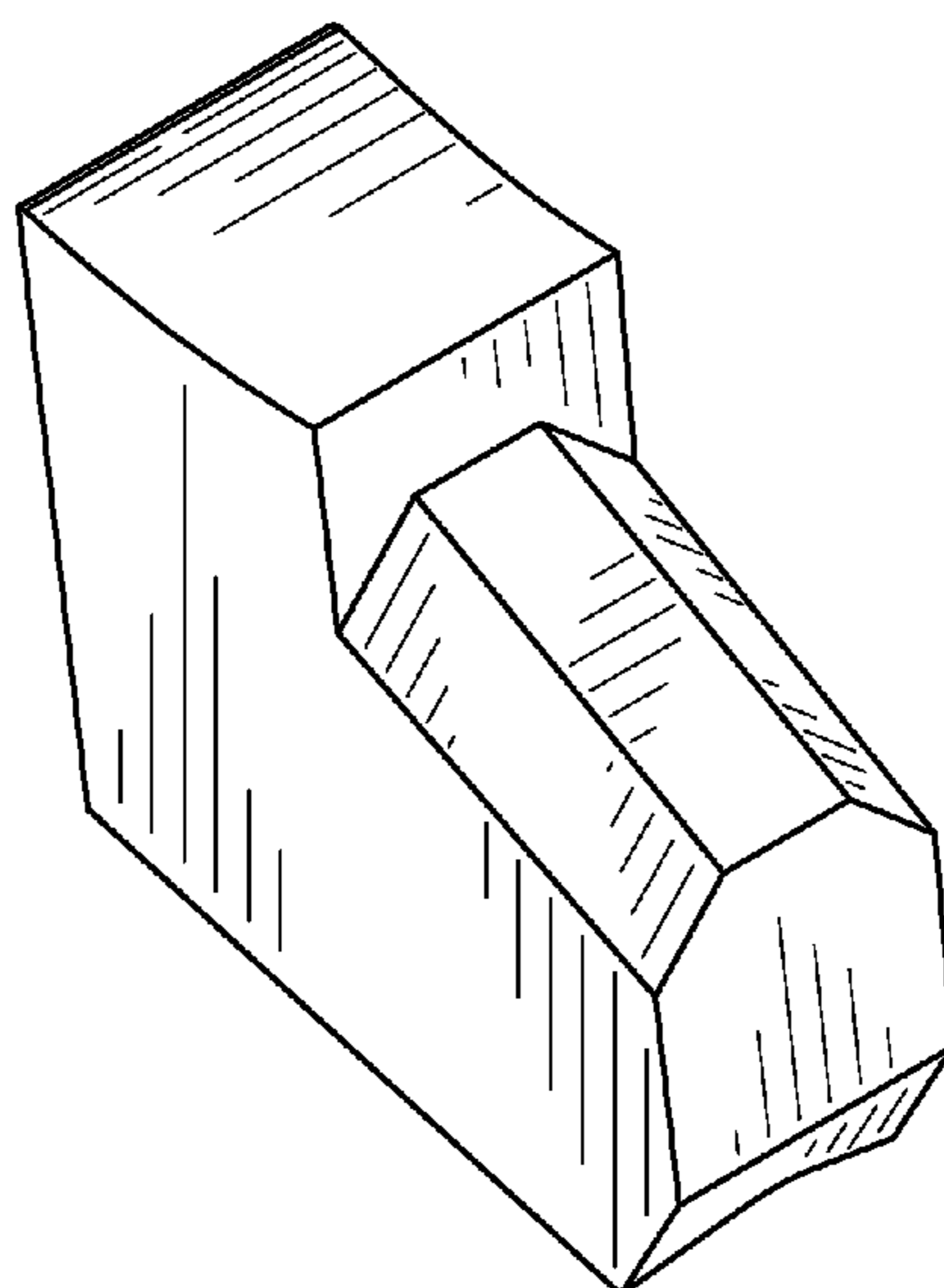
1,912,666	A	6/1933	Swanson	
2,677,170	A *	5/1954	Kuns	B23B 27/22 407/116
D191,308	S	9/1961	Key	
3,254,392	A	6/1966	Novkov	
3,518,737	A	7/1970	Hood	
3,660,877	A	5/1972	Stein	
3,748,710	A	7/1973	Lynch	
3,785,021	A	1/1974	Norgren	
4,051,584	A	10/1977	Huser	
4,195,956	A	4/1980	Mihic	
D255,801	S	7/1980	Treloar	
D275,760	S *	10/1984	Cochran	D15/139
D278,716	S *	5/1985	Pano	D15/139
D281,432	S *	11/1985	Tuomaala	D15/139
4,580,930	A	4/1986	Zinner	
D284,011	S *	5/1986	Pano	D15/139

(Continued)

FIG. 1 is a top perspective view of a cutting insert showing my new design;
FIG. 2 is a right-side elevation view thereof;
FIG. 3 is a left-side elevation view thereof;
FIG. 4 is a rear elevation view thereof;
FIG. 5 is a front elevation view thereof;
FIG. 6 is a top plan view thereof;
FIG. 7 is a bottom plan view thereof; and,
FIG. 8 is a top perspective view of the cutting insert of FIGS. 1-7 installed into a cutting tool or tool holder, which is illustrated along with a second cutting insert installed into the cutting tool or tool holder to provide example environment.

The broken line showing of the cutting tool or tool holder and the second cutting insert in FIG. 8 is for the purpose of illustrating environmental structure that forms no part of the claimed design.

1 Claim, 4 Drawing Sheets



(56)

References Cited

U.S. PATENT DOCUMENTS

4,668,132 A 5/1987 Villa et al.
 4,778,311 A * 10/1988 Niemi B23B 27/045
 407/116
 4,801,224 A 1/1989 Pettersson
 4,830,548 A 5/1989 Kandarian
 D306,032 S * 2/1990 Mihic 407/116
 4,909,677 A 3/1990 Noguchi et al.
 5,076,739 A * 12/1991 Pano B23B 27/045
 407/114
 D328,605 S * 8/1992 Bohannan D15/139
 D329,439 S * 9/1992 Gustafsson D15/139
 D329,858 S * 9/1992 Gustafsson D15/139
 D329,859 S * 9/1992 Gustafsson D15/139
 D330,033 S * 10/1992 Gustafsson D15/139
 D330,381 S * 10/1992 Gustafsson D15/139
 D330,901 S * 11/1992 Gustafsson D15/139
 5,161,920 A * 11/1992 Zinner B23B 27/045
 407/110
 D338,477 S * 8/1993 Mihic D15/139
 D343,400 S * 1/1994 Lindstedt D15/139
 5,315,908 A 5/1994 Mihic
 D350,549 S * 9/1994 Lindstedt D15/139
 5,346,335 A 9/1994 Harpaz
 5,411,354 A 5/1995 Gustafsson
 D381,027 S * 7/1997 Mihic D15/139
 5,688,080 A 11/1997 Hedlund
 D389,161 S * 1/1998 Jonsson D15/139
 5,743,680 A 4/1998 Von Haas et al.
 5,795,109 A 8/1998 Jonsson
 5,921,724 A 7/1999 Erickson
 5,934,843 A 8/1999 Brask et al.
 5,993,118 A 11/1999 Brask et al.
 6,113,319 A 9/2000 Hansson et al.

6,234,727 B1 5/2001 Barazani
 6,249,950 B1 6/2001 Brask et al.
 D452,870 S * 1/2002 Hansson D15/139
 D466,537 S * 12/2002 Hansson D15/139
 D470,516 S * 2/2003 Andersson D15/139
 6,702,529 B1 3/2004 Tägtström et al.
 D502,473 S * 3/2005 Tong D15/139
 D527,400 S * 8/2006 Konet D15/139
 D535,312 S * 1/2007 Simpson, III D15/139
 7,163,361 B2 1/2007 Hecht
 D537,854 S * 3/2007 Tong D15/139
 7,326,007 B2 2/2008 Hecht
 D607,025 S * 12/2009 Niemi D15/139
 D616,003 S * 5/2010 Ueda D15/139
 8,376,664 B2 2/2013 Hecht
 8,926,233 B2 1/2015 Kaufmann
 9,403,214 B2 8/2016 Hecht
 D805,565 S * 12/2017 Min D15/139
 2005/0207854 A1 9/2005 Hecht
 2006/0159527 A1 7/2006 Nagaya et al.
 2009/0142149 A1 6/2009 Niemi et al.
 2009/0285645 A1 11/2009 Hecht
 2015/0063929 A1 3/2015 Hecht
 2015/0246397 A1 9/2015 Voege

FOREIGN PATENT DOCUMENTS

EP	0059602	9/1982
EP	2730356	5/2014
FR	2580531	10/1986
JP	H01149204	10/1989
JP	H09234609	9/1997
JP	07115251	5/2007
WO	2005087415	9/2005
WO	2017135291	8/2017

* cited by examiner

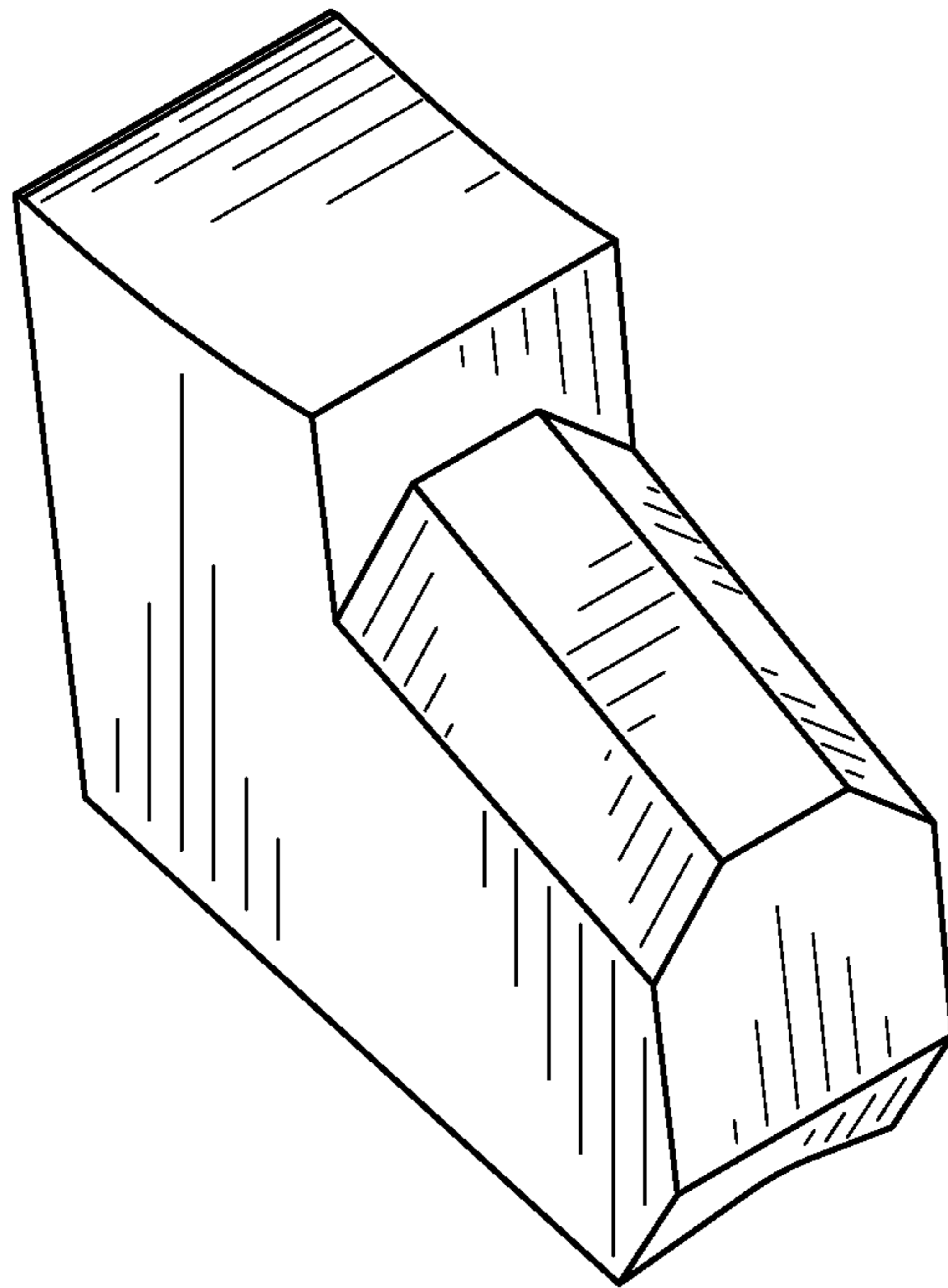


FIG. 1

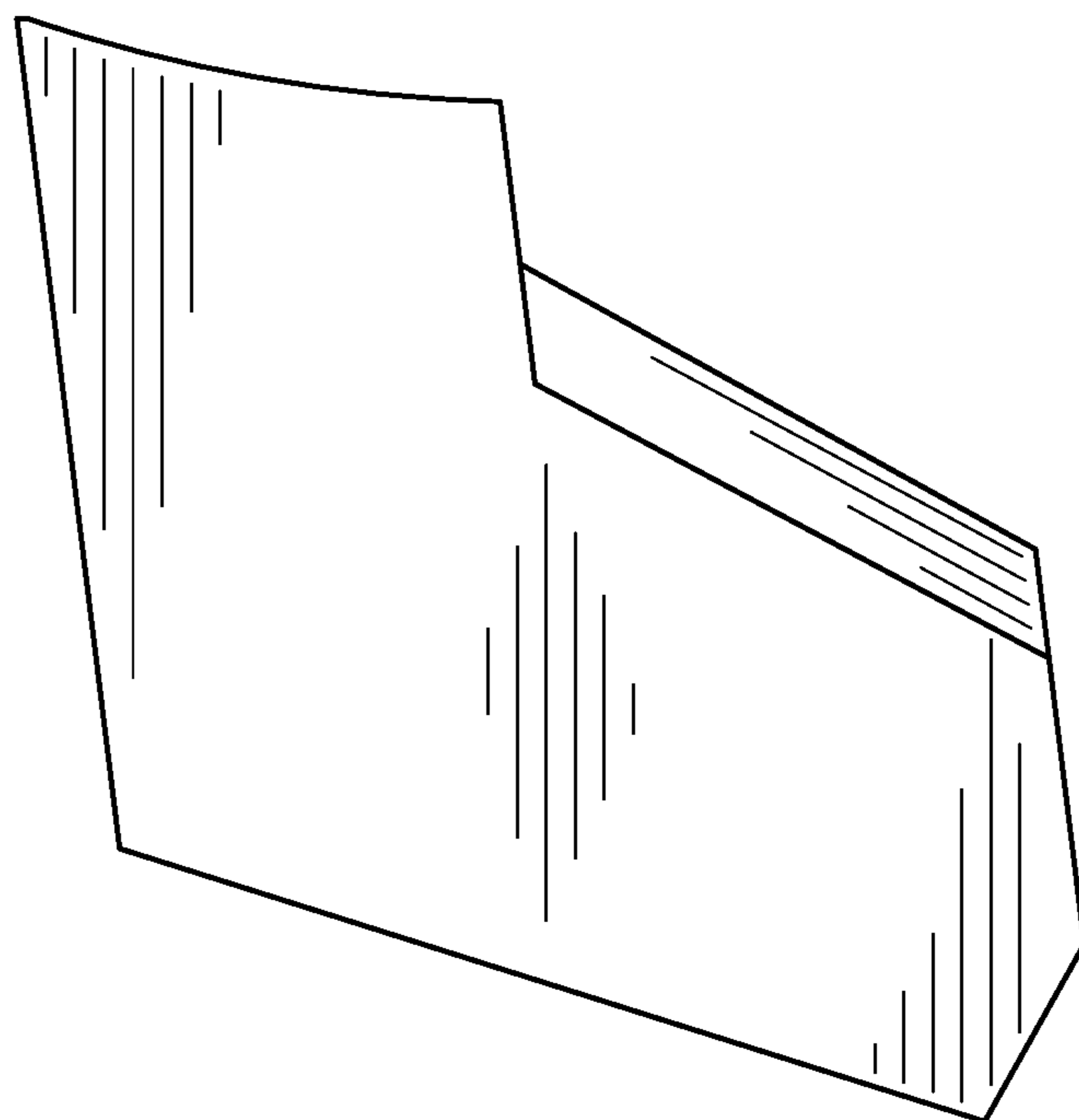


FIG. 2

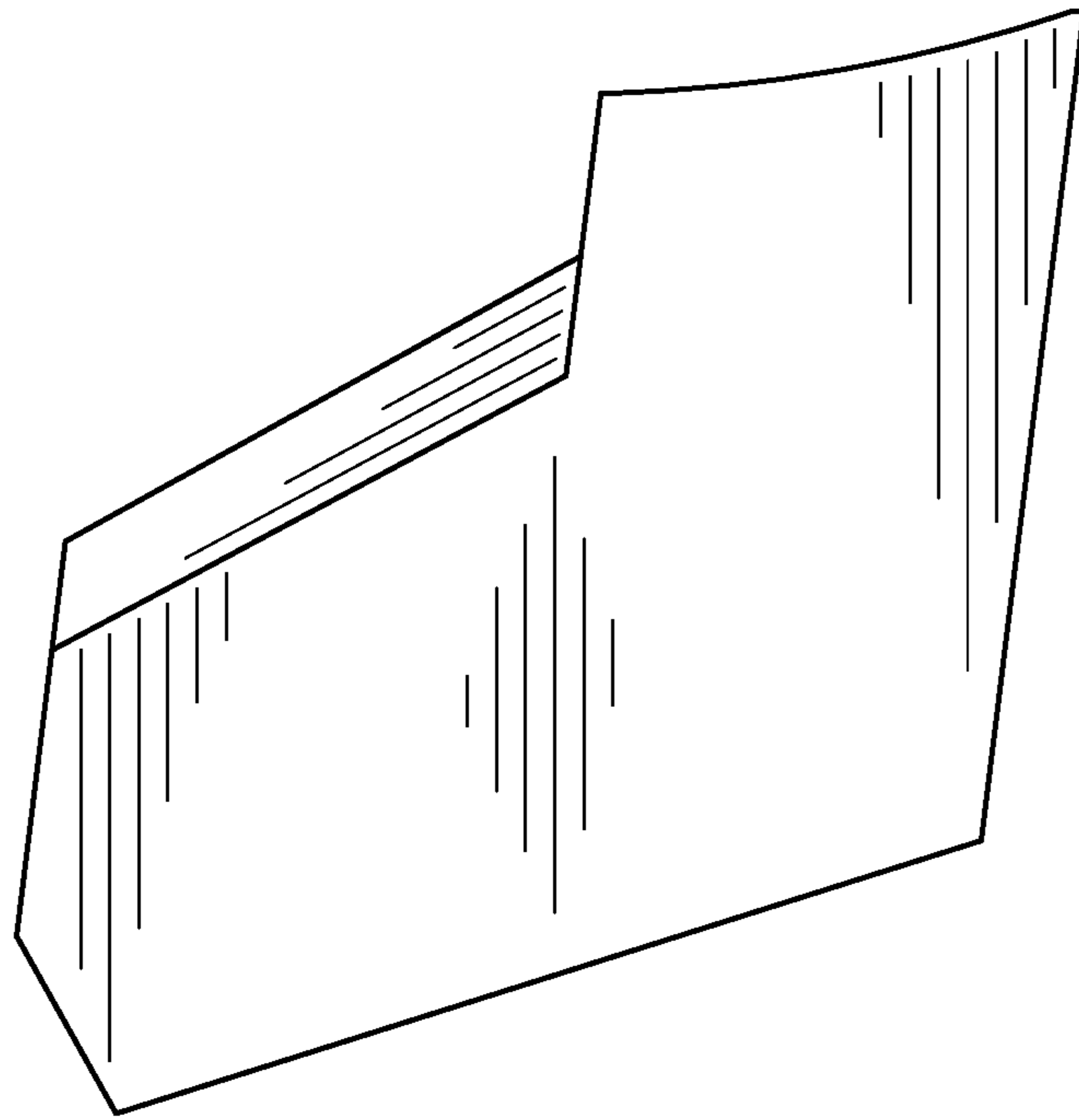


FIG. 3

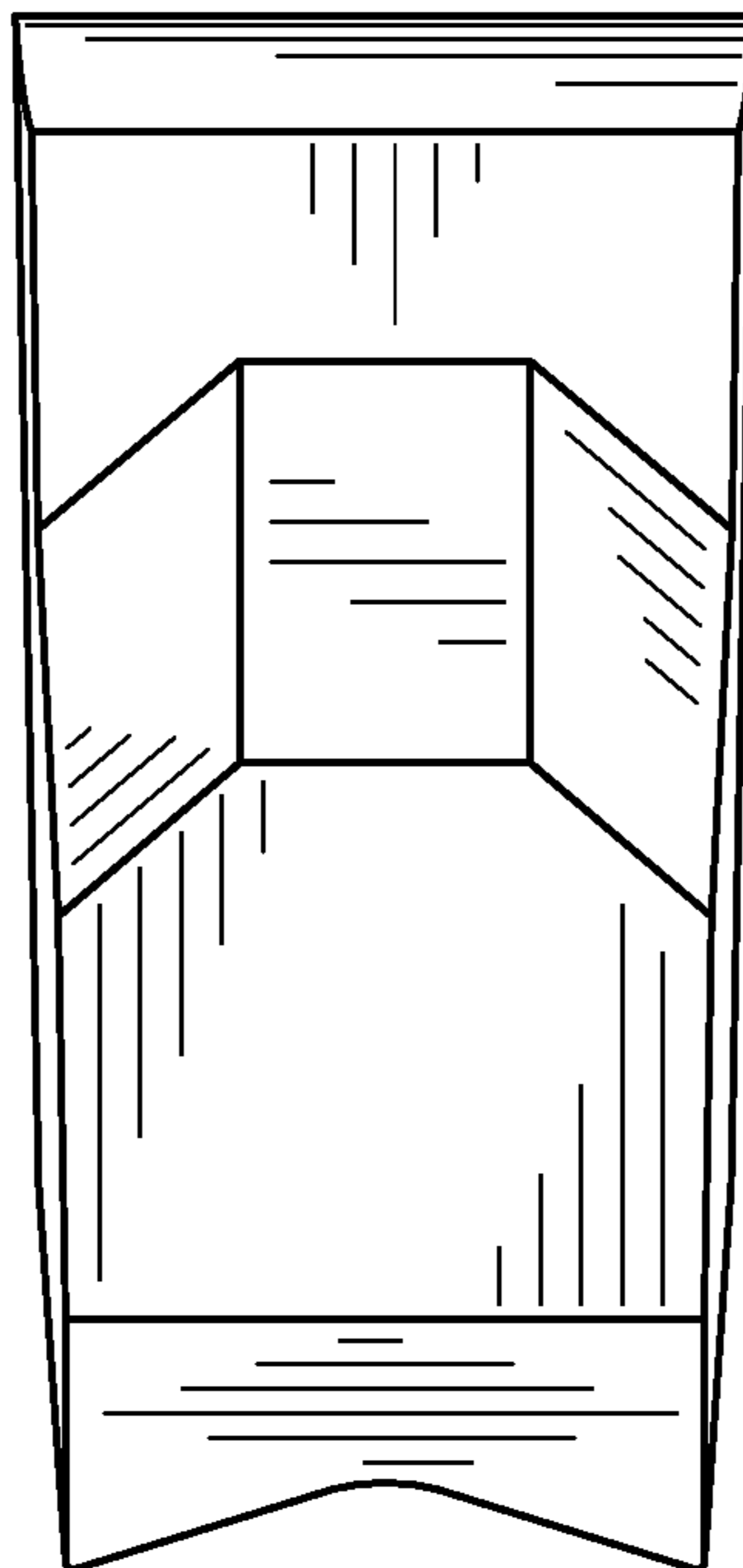


FIG. 4

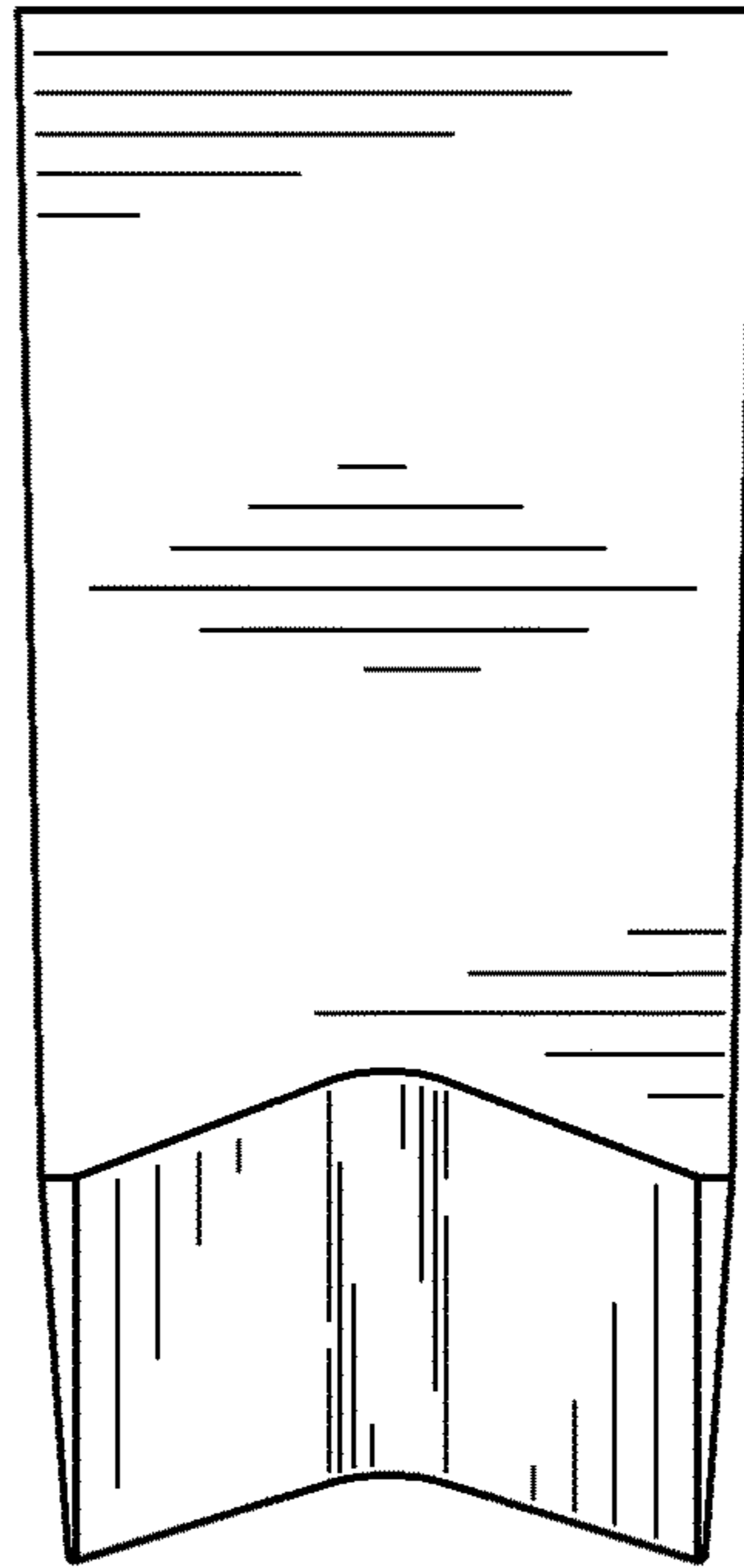


FIG. 5

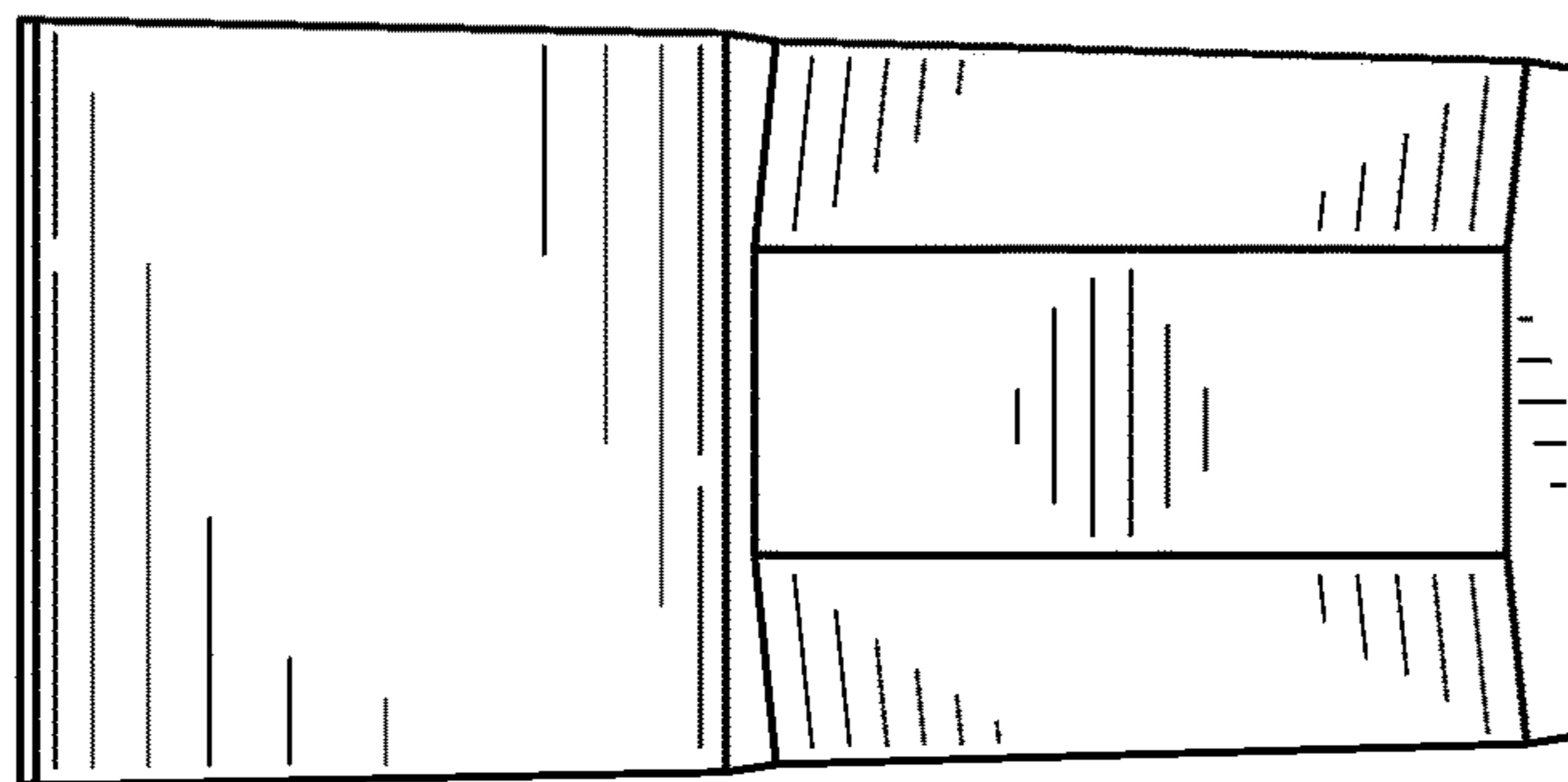


FIG. 6

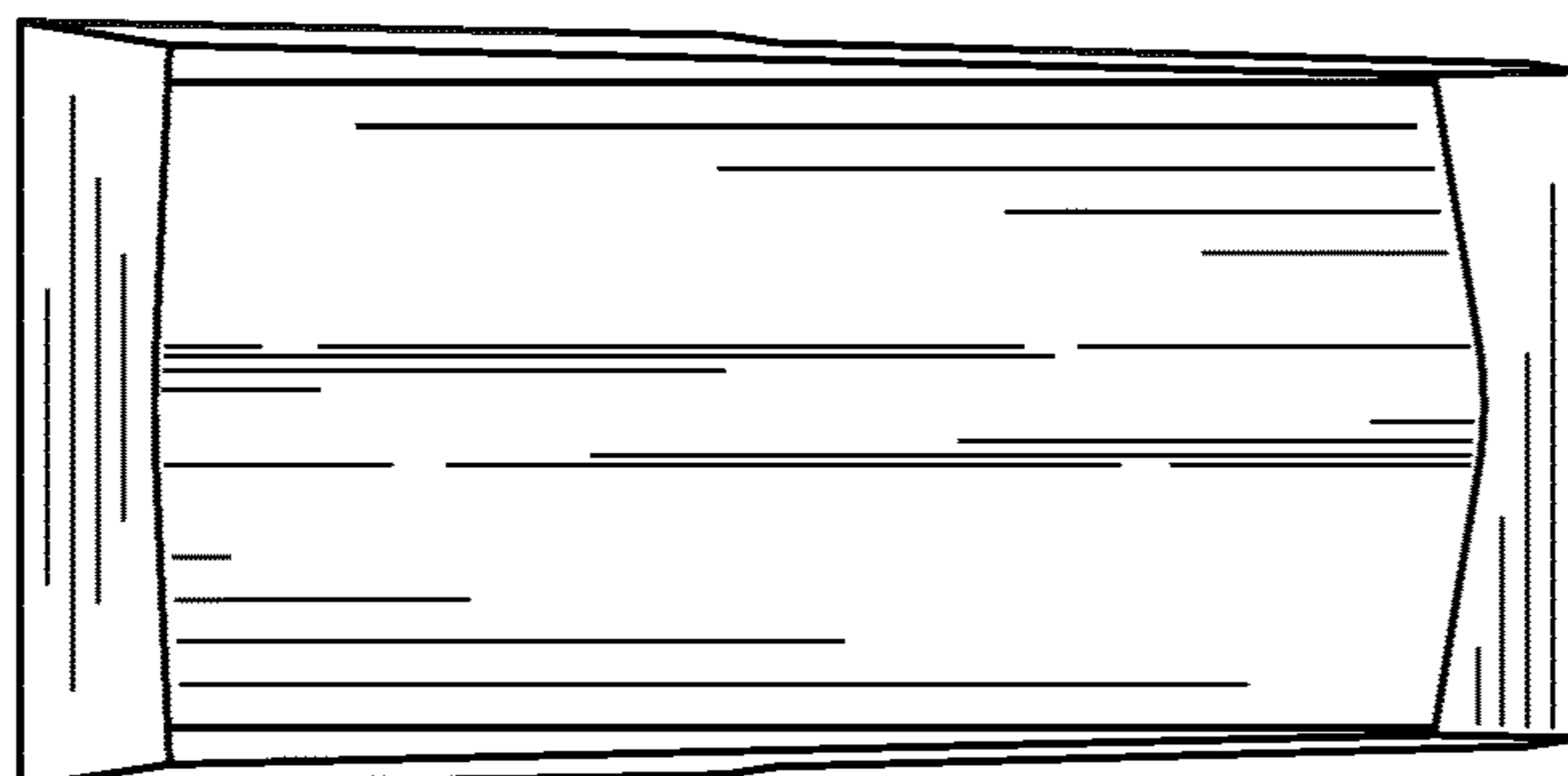


FIG. 7

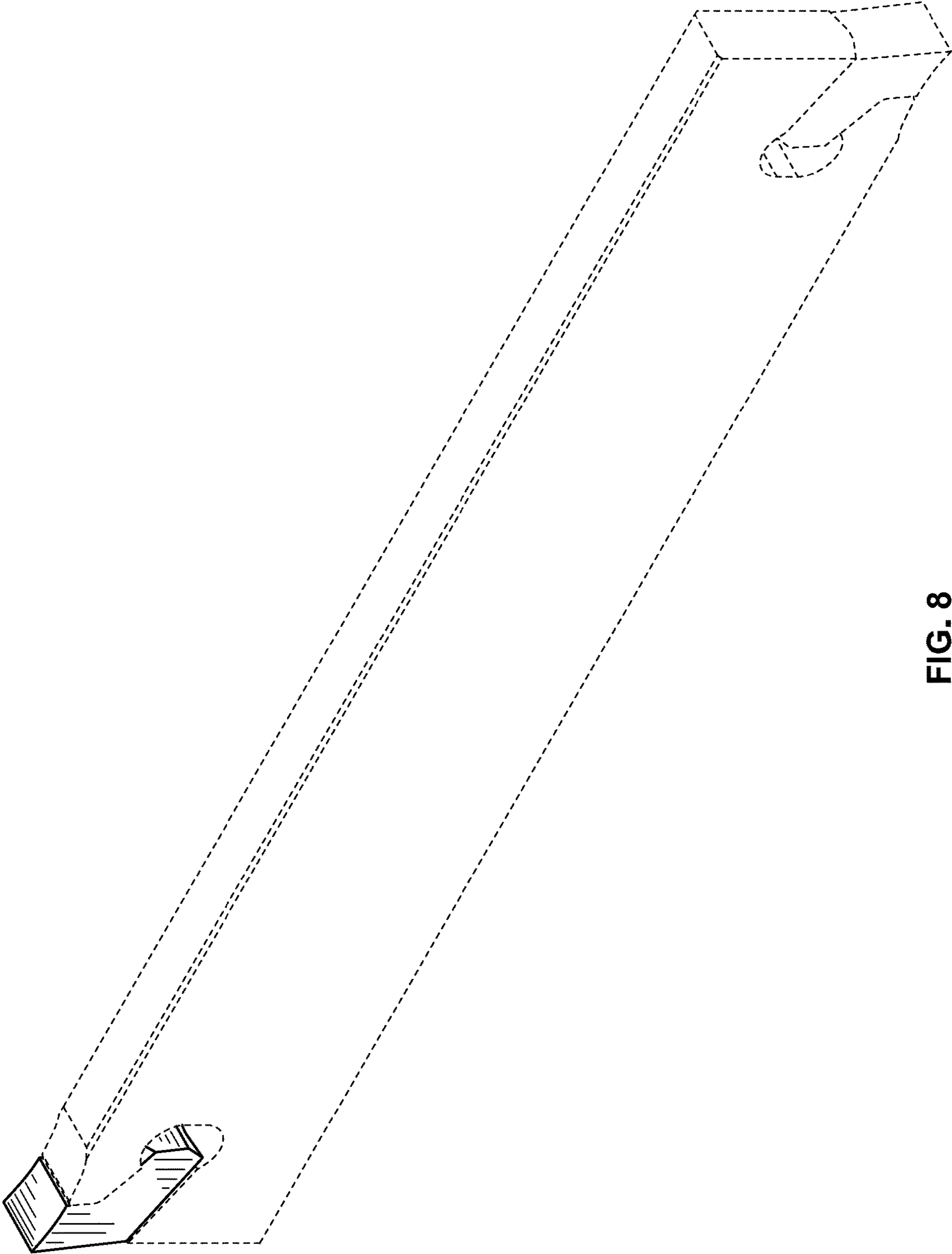


FIG. 8