



US00D880546S

(12) **United States Design Patent**  
**Hehl et al.**

(10) **Patent No.:** **US D880,546 S**

(45) **Date of Patent:** **\*\* Apr. 7, 2020**

(54) **INJECTION MOLDING MACHINE**

(71) Applicant: **ARBURG GMBH + CO KG**, Loßburg (DE)

(72) Inventors: **Juliane Hehl**, Lossburg (DE); **Jürgen Reiner Schmid**, Ammerbuch (DE)

(73) Assignee: **ARBURG GMBH + CO KG**, Lossburg (DE)

(\*\*) Term: **15 Years**

(21) Appl. No.: **29/601,068**

(22) Filed: **Apr. 18, 2017**

(30) **Foreign Application Priority Data**

Oct. 18, 2016 (DE) ..... 40 2016 101 284

(51) **LOC (12) Cl.** ..... **15-03**

(52) **U.S. Cl.**  
USPC ..... **D15/135**

(58) **Field of Classification Search**  
USPC ..... D15/122, 135, 136, 137, 138, 141, 142,  
D15/199; D12/1, 2, 8; D8/313;  
D7/339-341, 348-349, 402-404  
(Continued)

(56) **References Cited**

U.S. PATENT DOCUMENTS

D202,924 S \* 11/1965 Jacobs ..... D15/135  
D550,257 S \* 9/2007 Schad ..... D15/135  
(Continued)

*Primary Examiner* — Khawaja Anwar

(74) *Attorney, Agent, or Firm* — Cantor Colburn LLP

(57) **CLAIM**

We claim, the ornamental design for an injection molding machine, as shown and described.

**DESCRIPTION**

The file of this patent contains at least one drawing/photograph executed in color. Copies of this patent with color

drawing(s)/photograph(s) will be provided by the Office upon request and payment of the necessary fee.

FIG. 1 is a perspective view of an injection molding machine, showing my new design;

FIG. 2 is another perspective view thereof;

FIG. 3 is another perspective view thereof;

FIG. 4 is a front view thereof;

FIG. 5 is a top view thereof;

FIG. 6 is a rear thereof;

FIG. 7 is a side view thereof, the opposite side being a mirror image thereof;

FIG. 8 is a perspective view of another embodiment thereof;

FIG. 9 is another perspective view thereof;

FIG. 10 is another perspective view thereof;

FIG. 11 is a front view thereof;

FIG. 12 is a top view thereof;

FIG. 13 is a rear thereof;

FIG. 14 is a side view thereof, the opposite side being a mirror image thereof;

FIG. 15 is a perspective view of another embodiment thereof;

FIG. 16 is another perspective view thereof;

FIG. 17 is another perspective view thereof;

FIG. 18 is a side view thereof, the opposite side being a mirror image thereof;

FIG. 19 is a rear thereof;

FIG. 20 is a top view thereof;

FIG. 21 is front view thereof;

FIG. 22 is a perspective view of another embodiment thereof;

FIG. 23 is another perspective view thereof;

FIG. 24 is another perspective view thereof;

FIG. 25 is a side view thereof, the opposite side being a mirror image thereof;

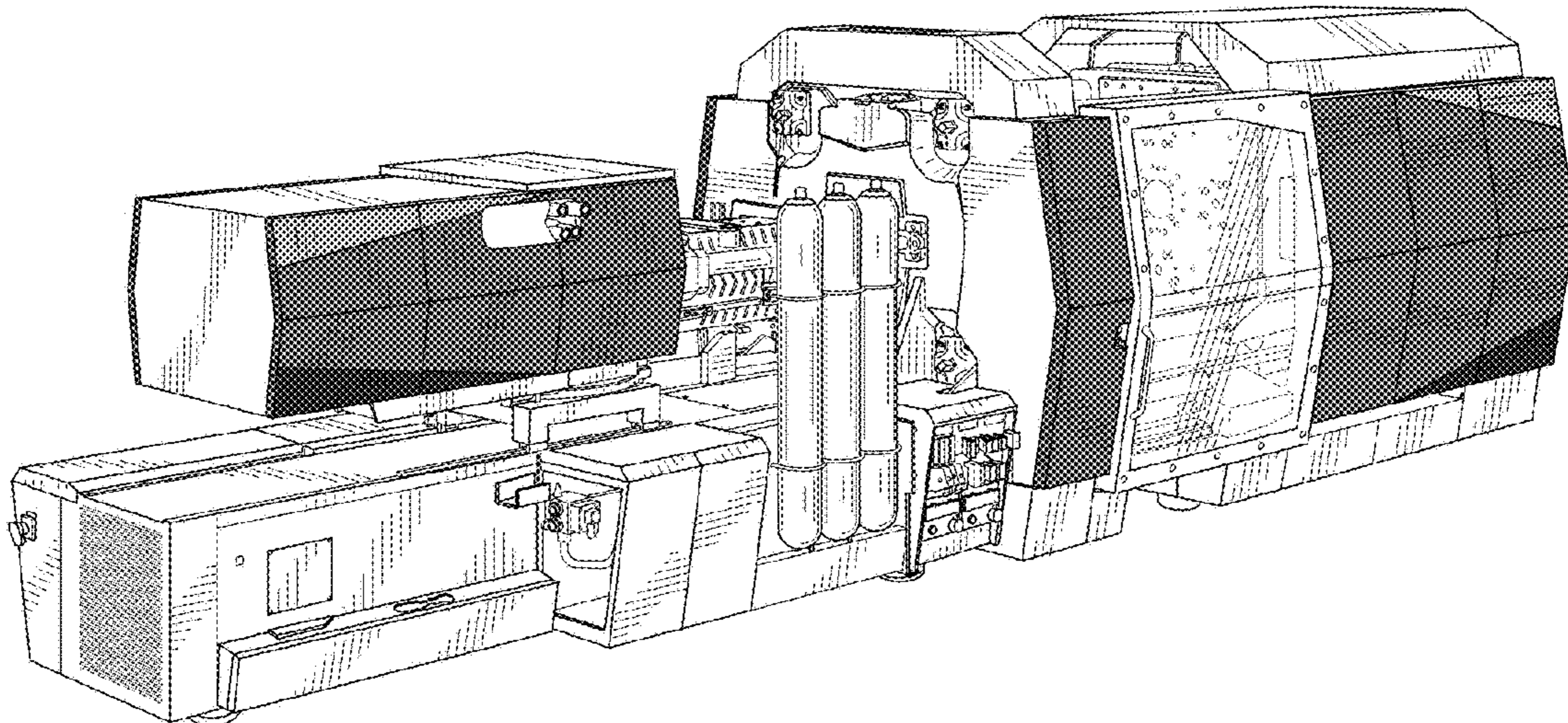
FIG. 26 is a rear thereof;

FIG. 27 is a top view thereof; and,

FIG. 28 is front view thereof.

Portions shown in broken lines form no part of the claimed design.

**1 Claim, 28 Drawing Sheets**  
**(14 of 28 Drawing Sheet(s) Filed in Color)**



(58) **Field of Classification Search**

CPC ..... B29C 45/0001; B29C 2043/3427; B29C  
2043/349; B29C 2045/0006; B29C  
2045/0043; B29C 2045/0049; B29C  
2045/14803; B29C 2945/76444; B29C  
43/24; B29C 45/0005; B29C 45/0025;  
B29C 45/006; B29C 45/14311; B29C  
45/14778; B29C 45/1481; B29C  
45/14819; B29C 45/1657; B29C 45/1671;  
B29C 45/1761; B29C 45/2708; B29C  
445/40; B29C 45/401; B29C 45/42; B29C  
45/84; B29C 47/0004; B29C 47/0021

See application file for complete search history.

(56) **References Cited**

U.S. PATENT DOCUMENTS

D550,258 S *	9/2007	Schad .....	D15/135
D617,356 S *	6/2010	Wang .....	D15/135
D661,714 S *	6/2012	Waterhouse .....	D15/135
D703,709 S *	4/2014	Tix .....	D15/135
D703,710 S *	4/2014	Tix .....	D15/135
D704,236 S *	5/2014	Tix .....	D15/135
D765,745 S *	9/2016	Cheung .....	D15/122
D768,216 S *	10/2016	Funakoshi .....	D15/135
D768,741 S *	10/2016	Funakoshi .....	D15/135
D803,909 S *	11/2017	Sakaguchi .....	D15/135
D819,095 S *	5/2018	Sakaguchi .....	D15/135

\* cited by examiner



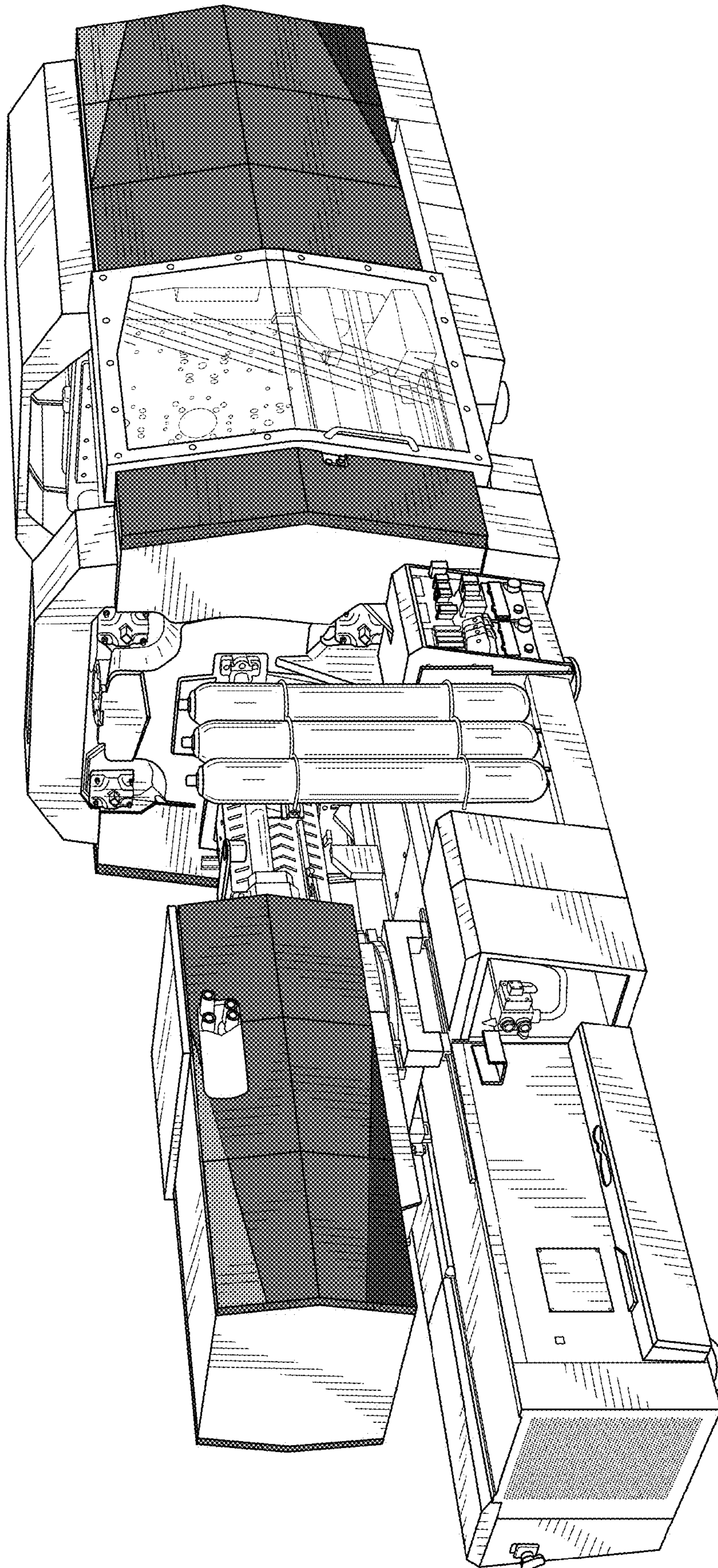


FIG. 1



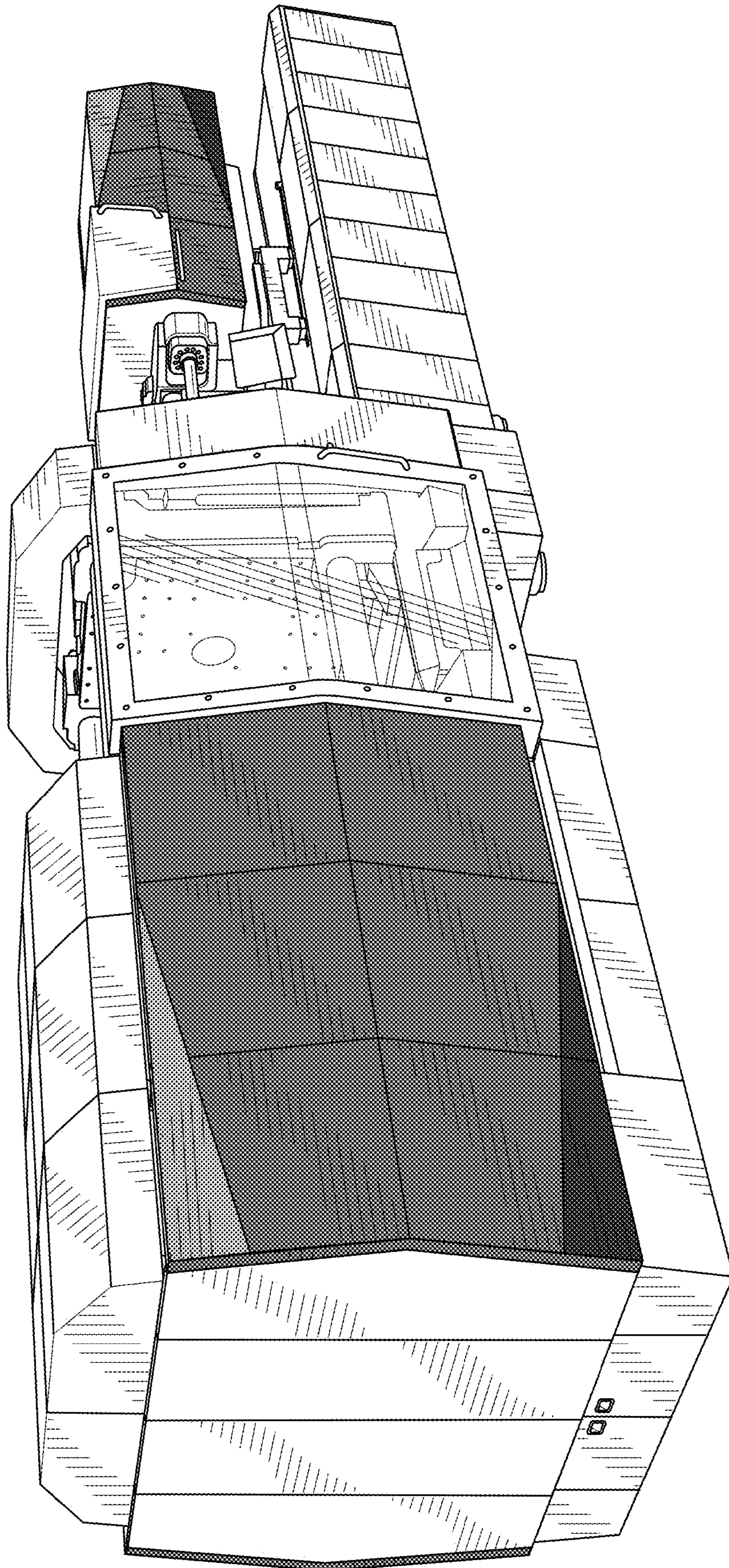


FIG. 2



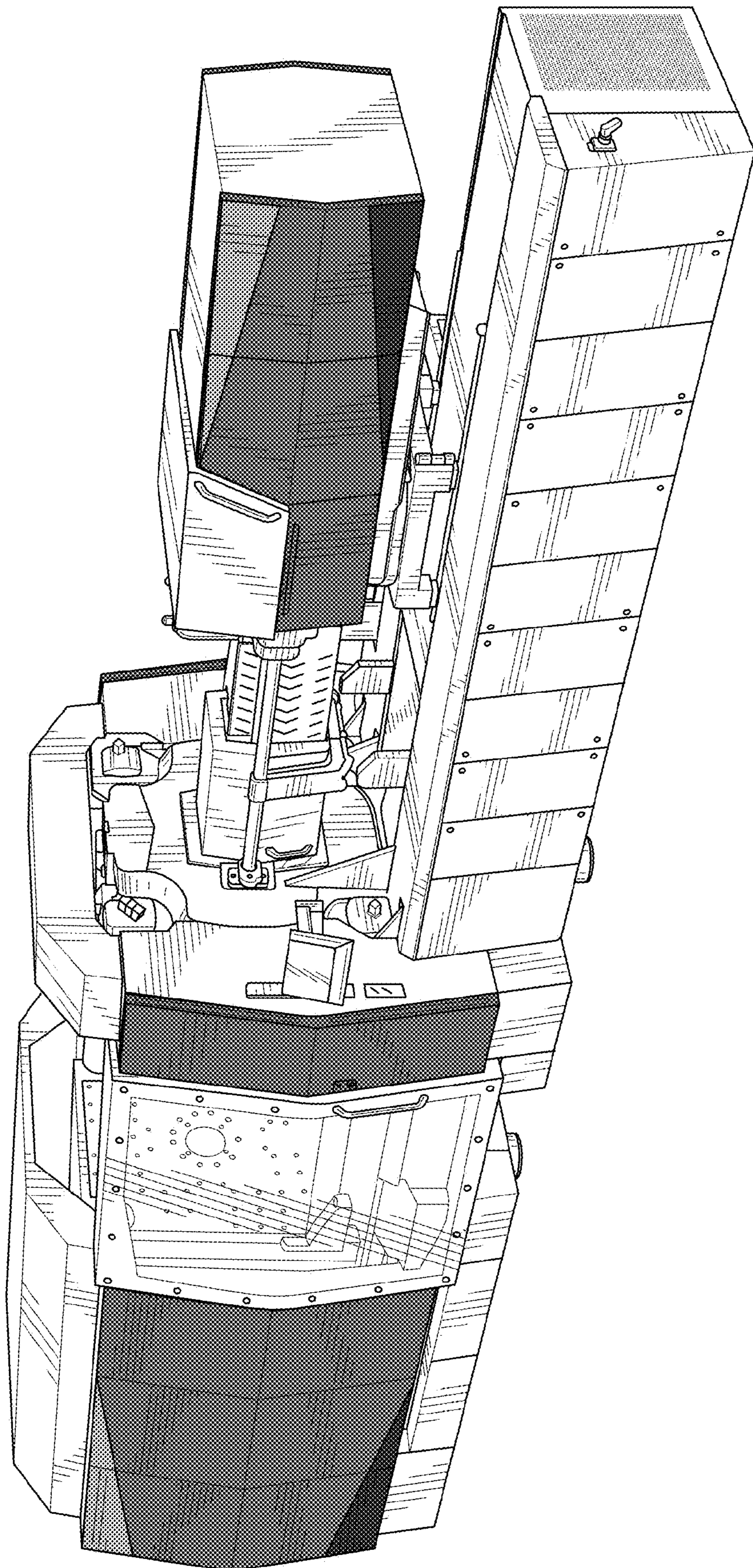


FIG. 3

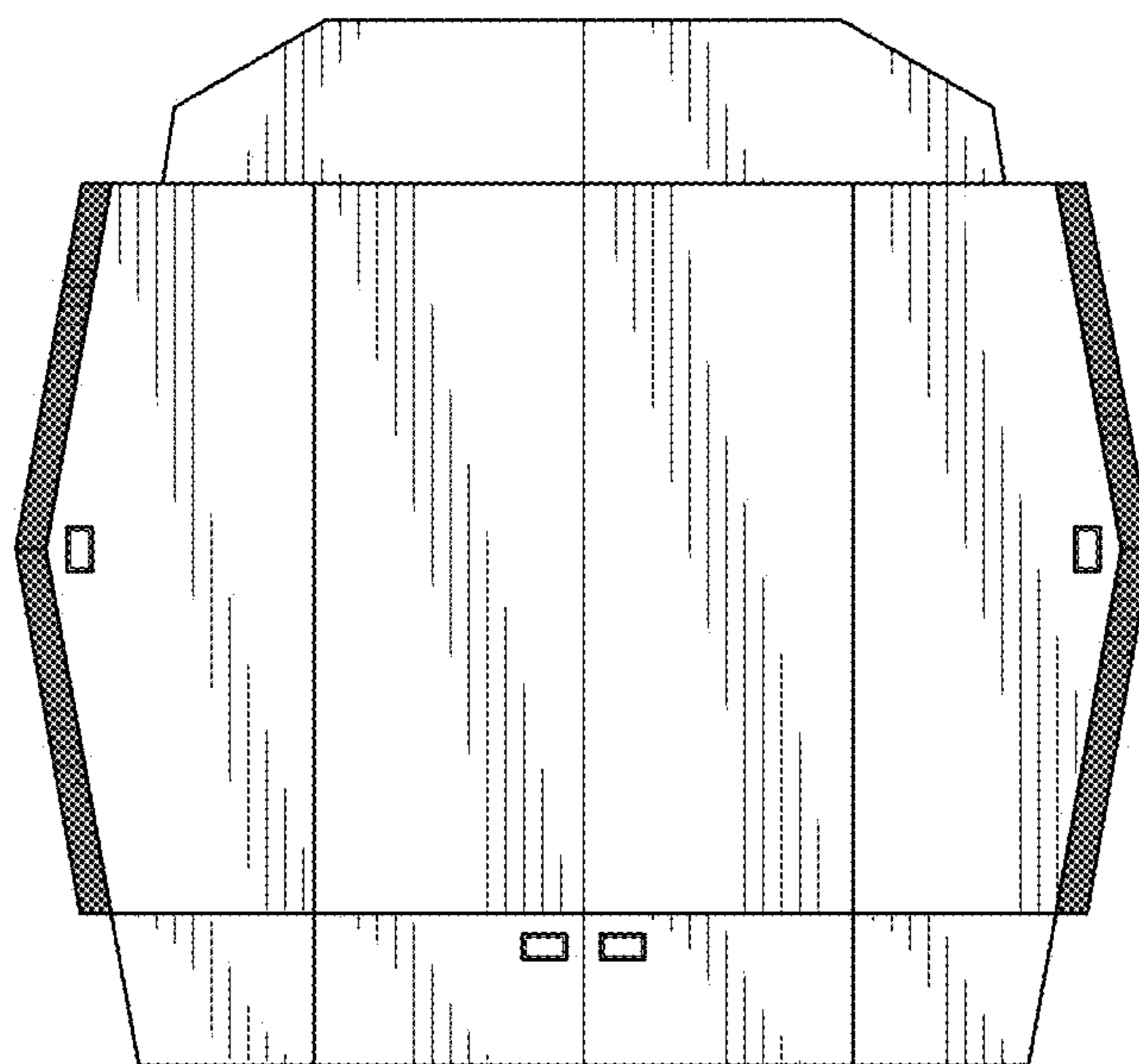


FIG. 4



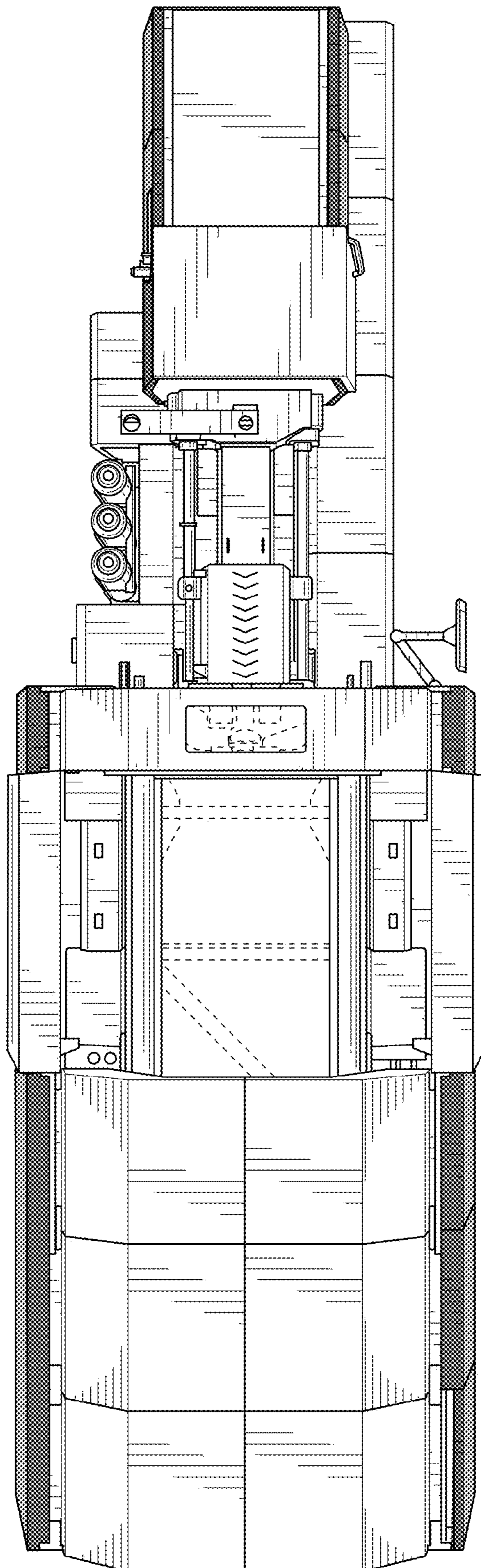


FIG. 5

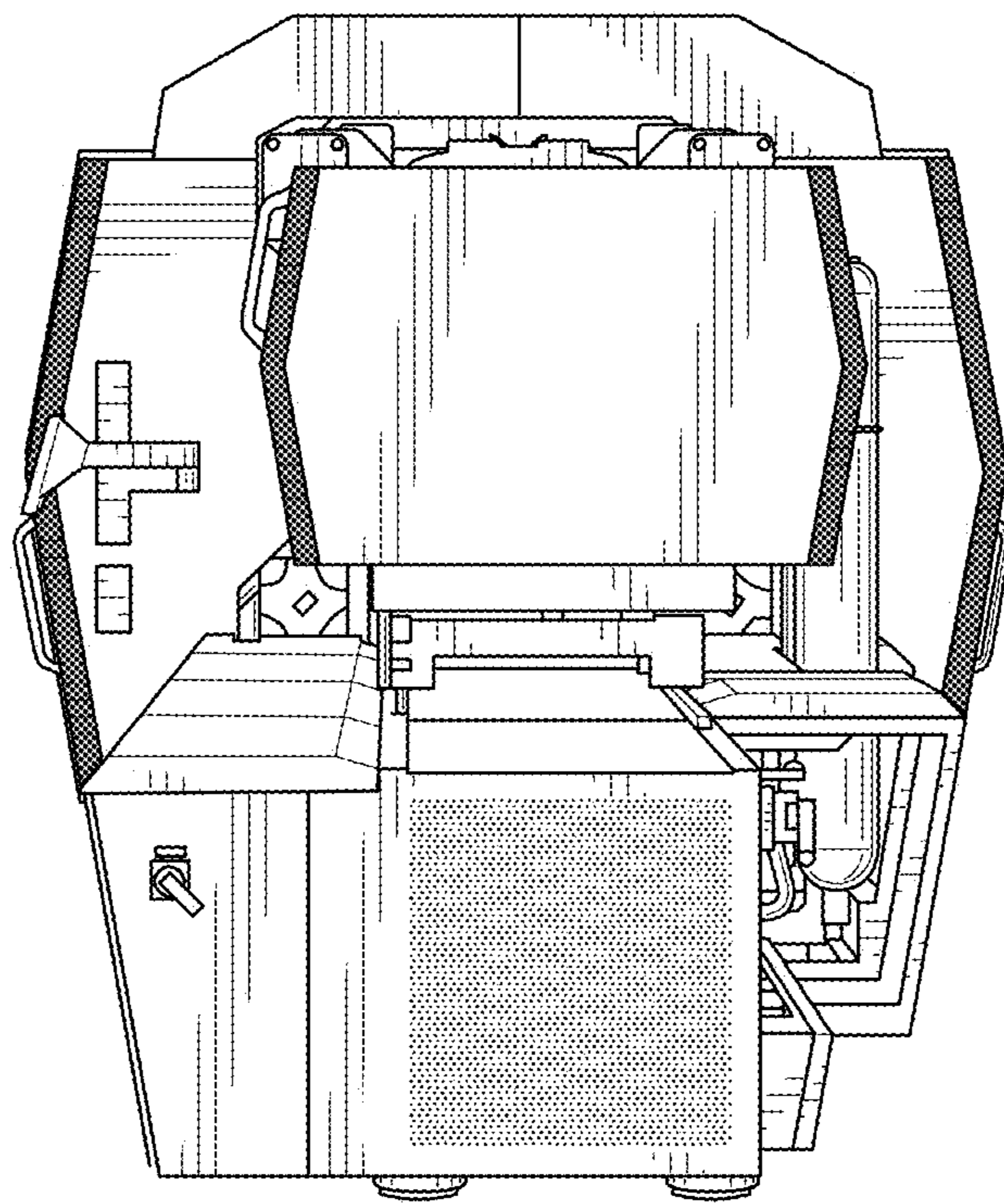


FIG. 6



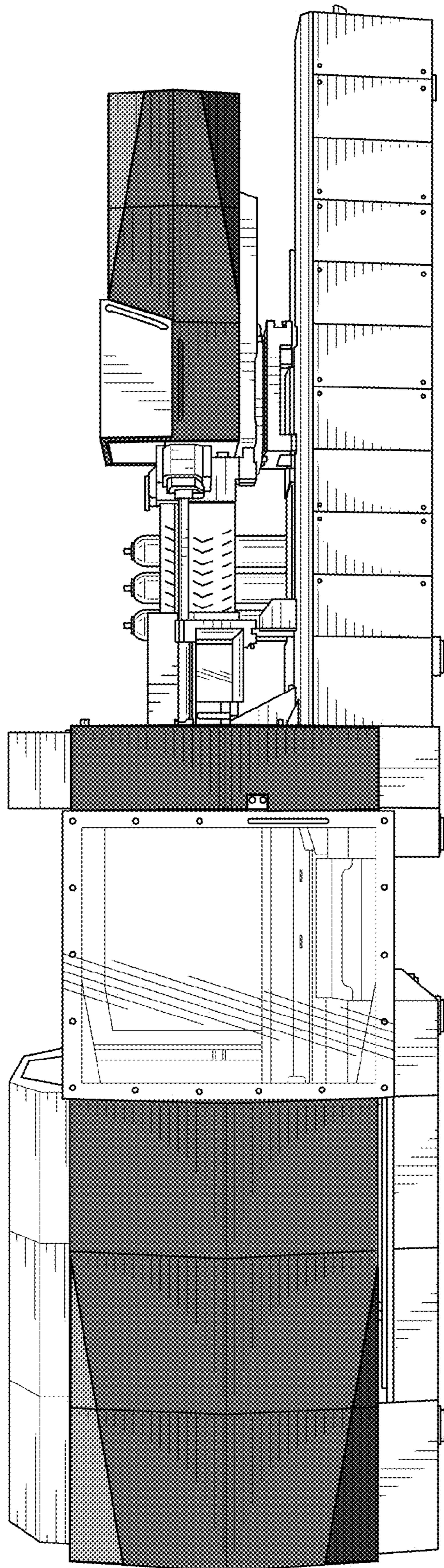


FIG. 7

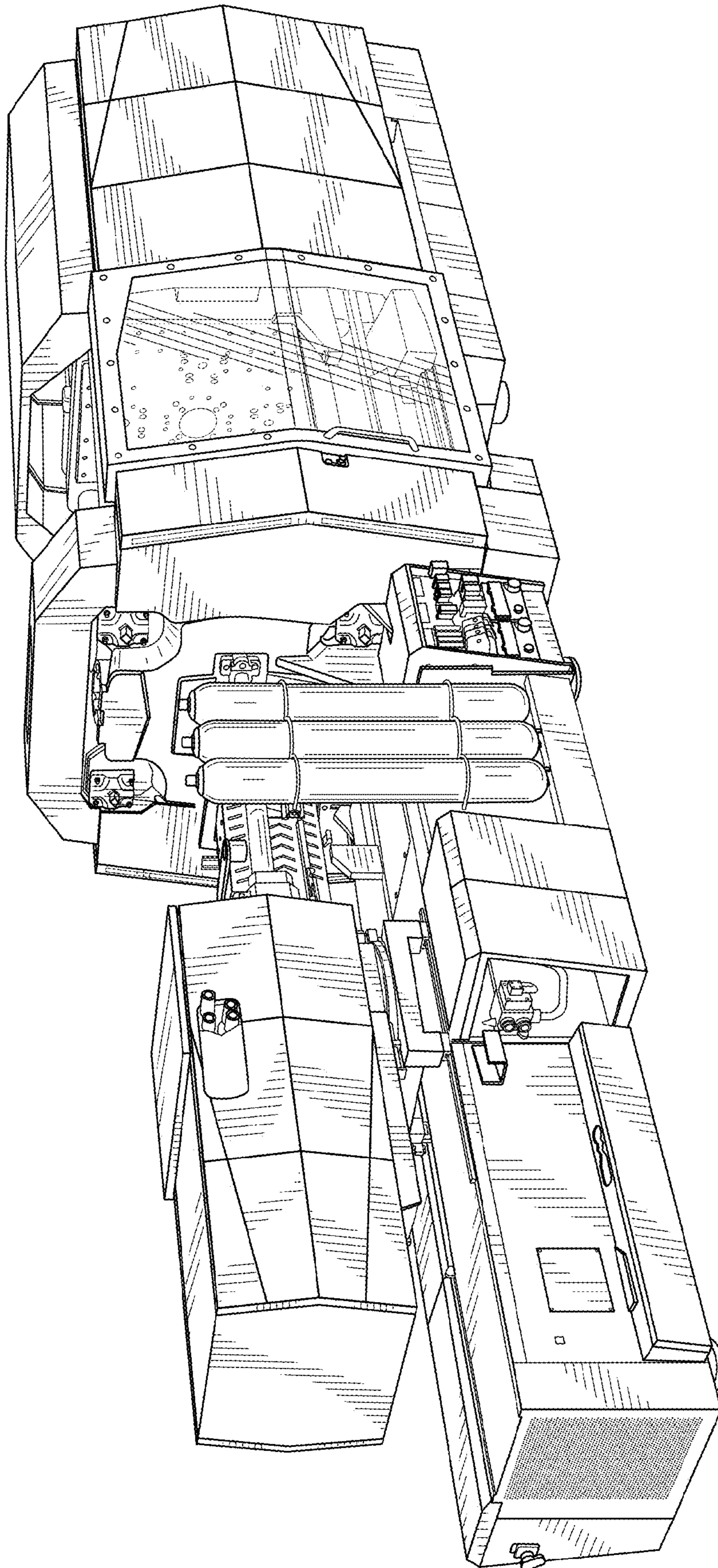


FIG. 8



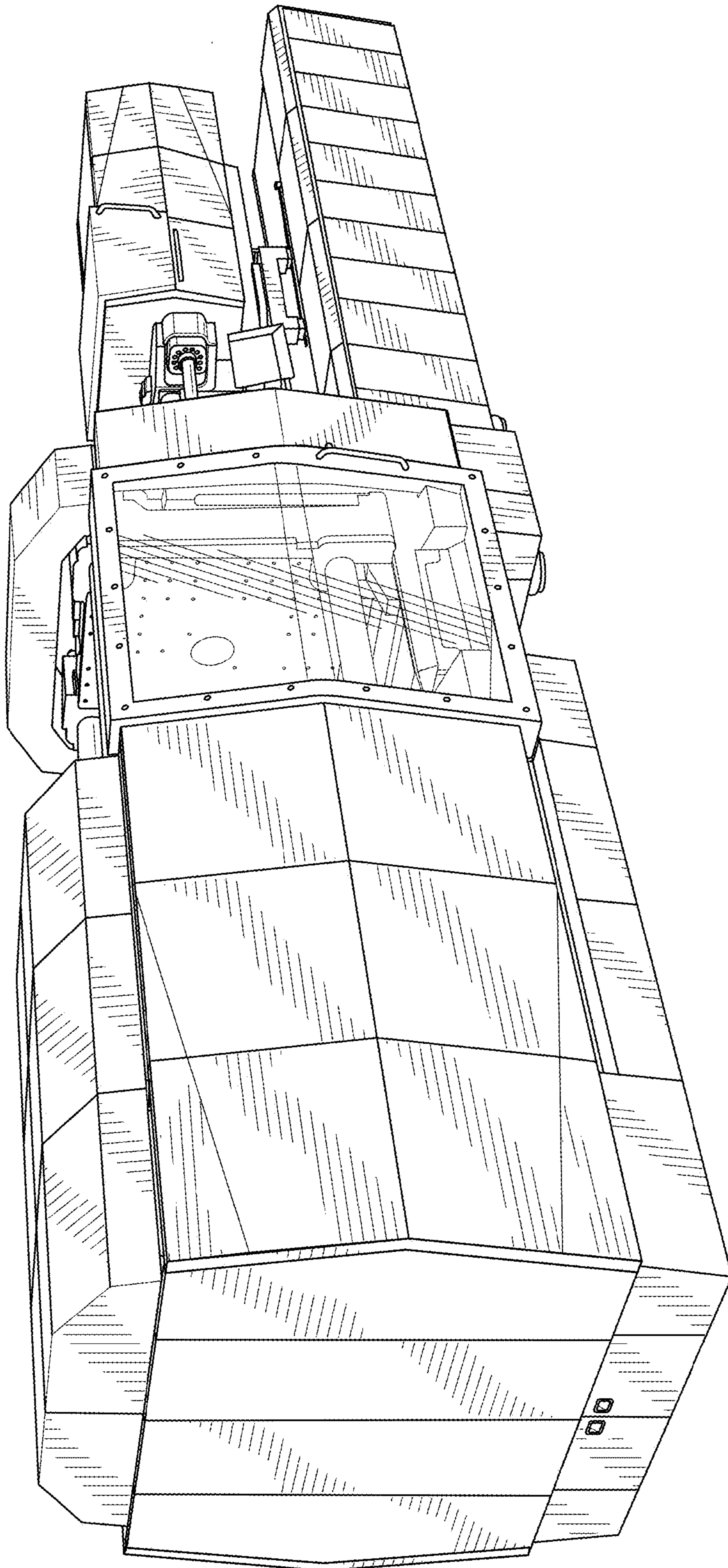


FIG. 9

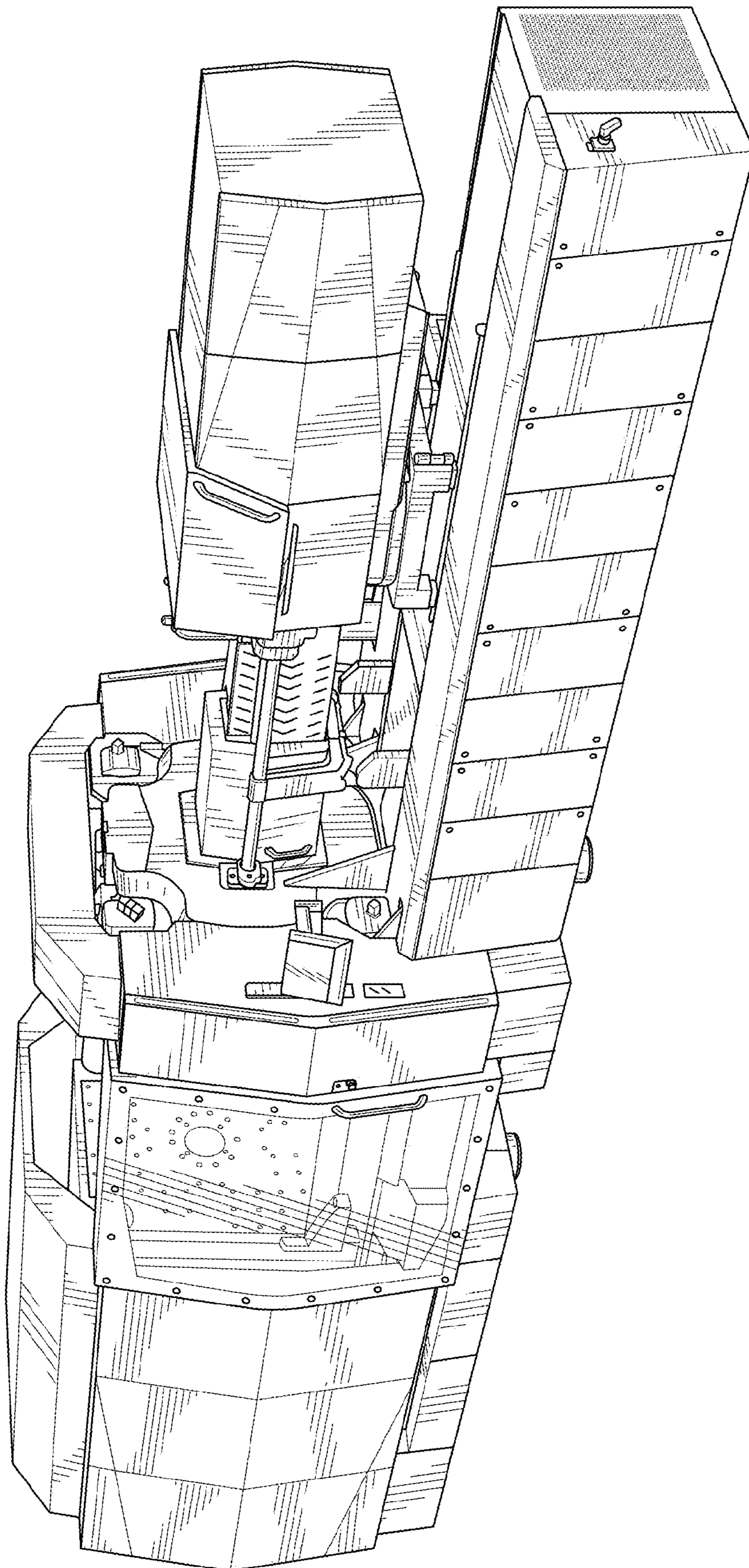


FIG. 10



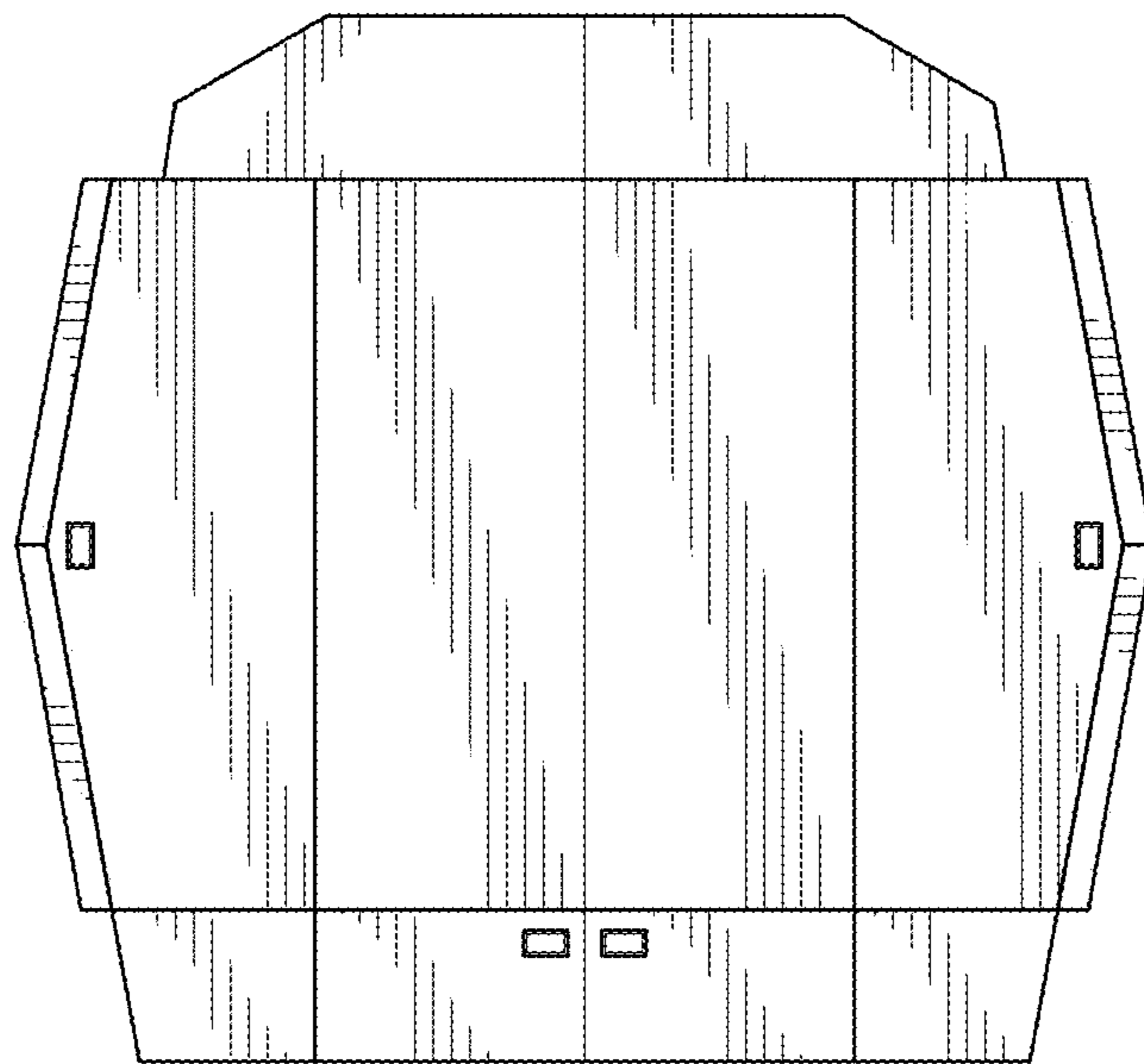


FIG. 11

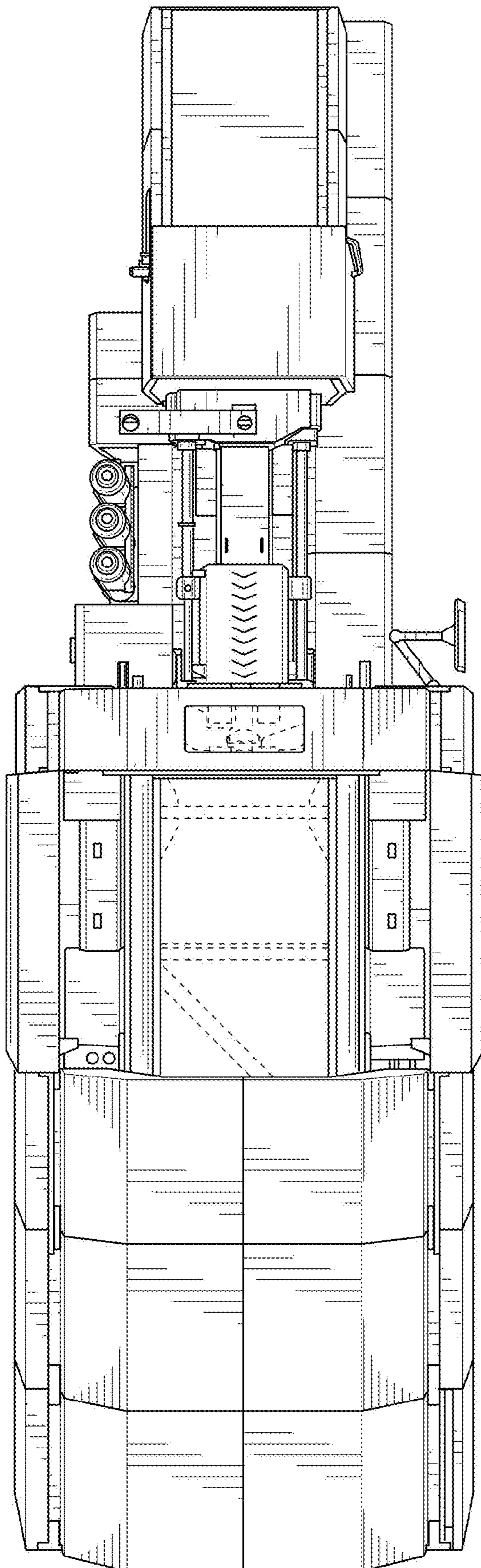


FIG. 12



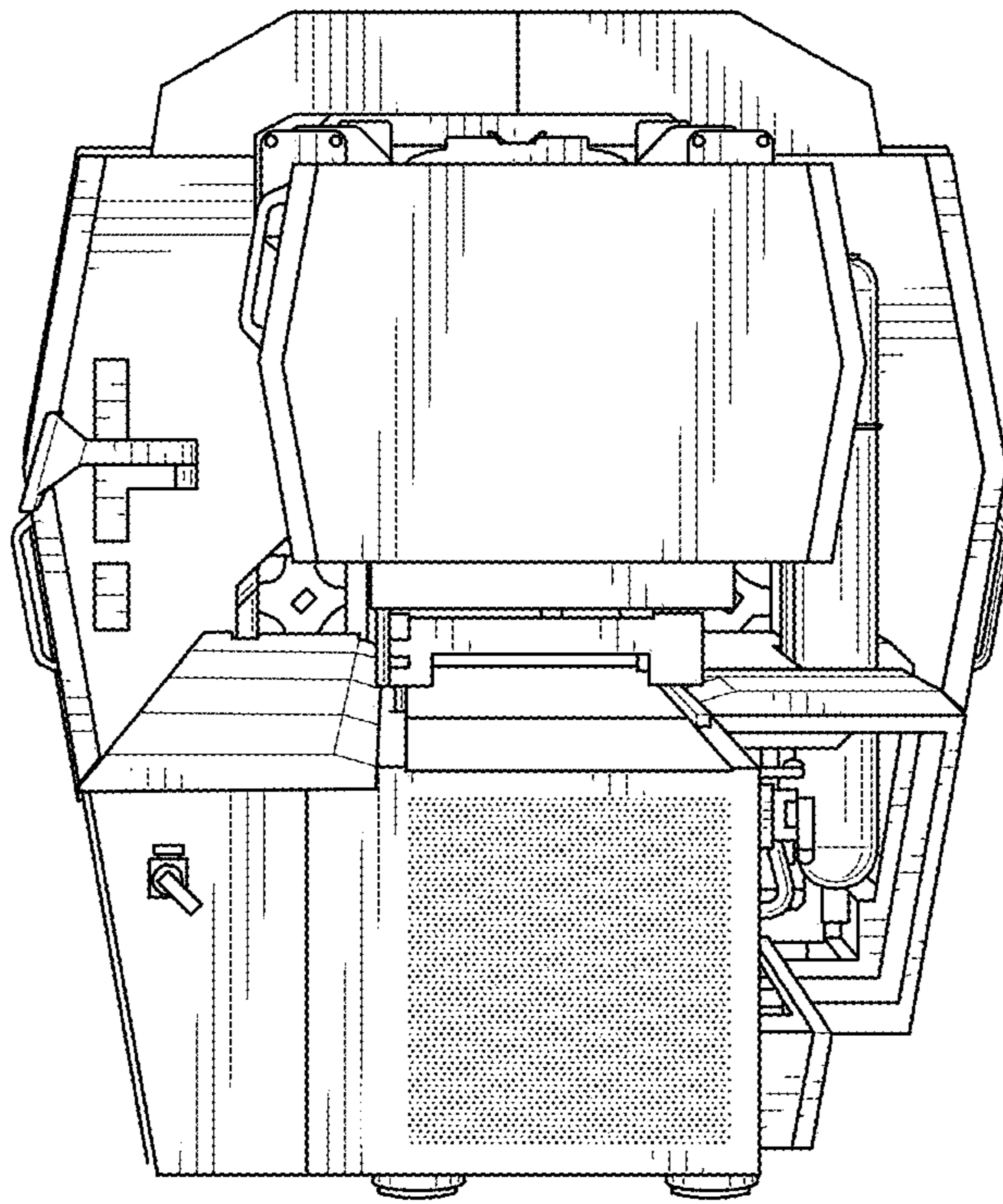


FIG. 13

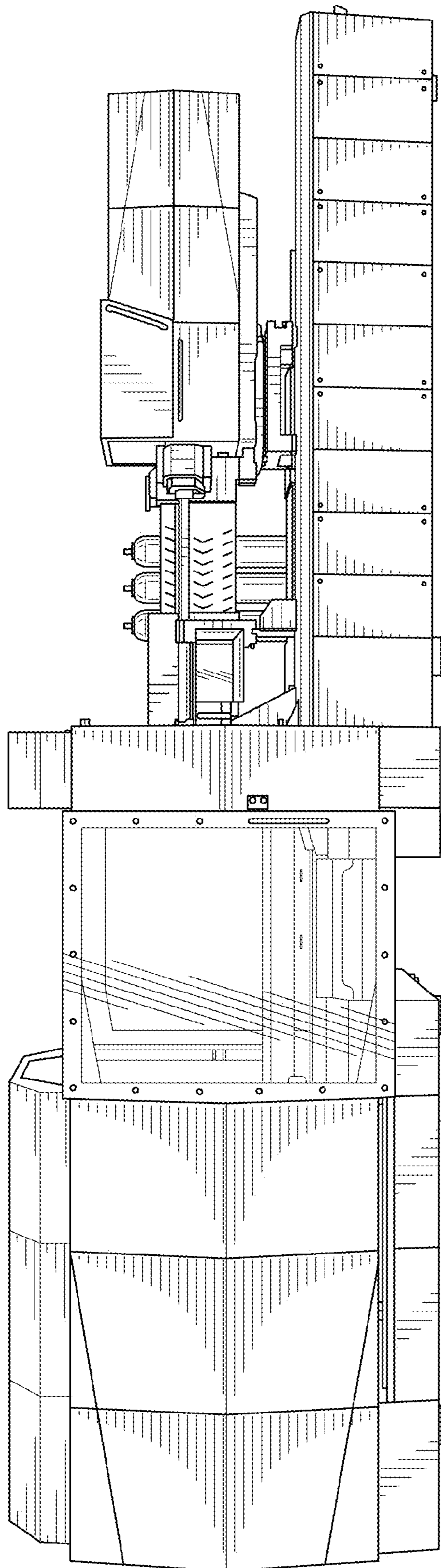


FIG. 14



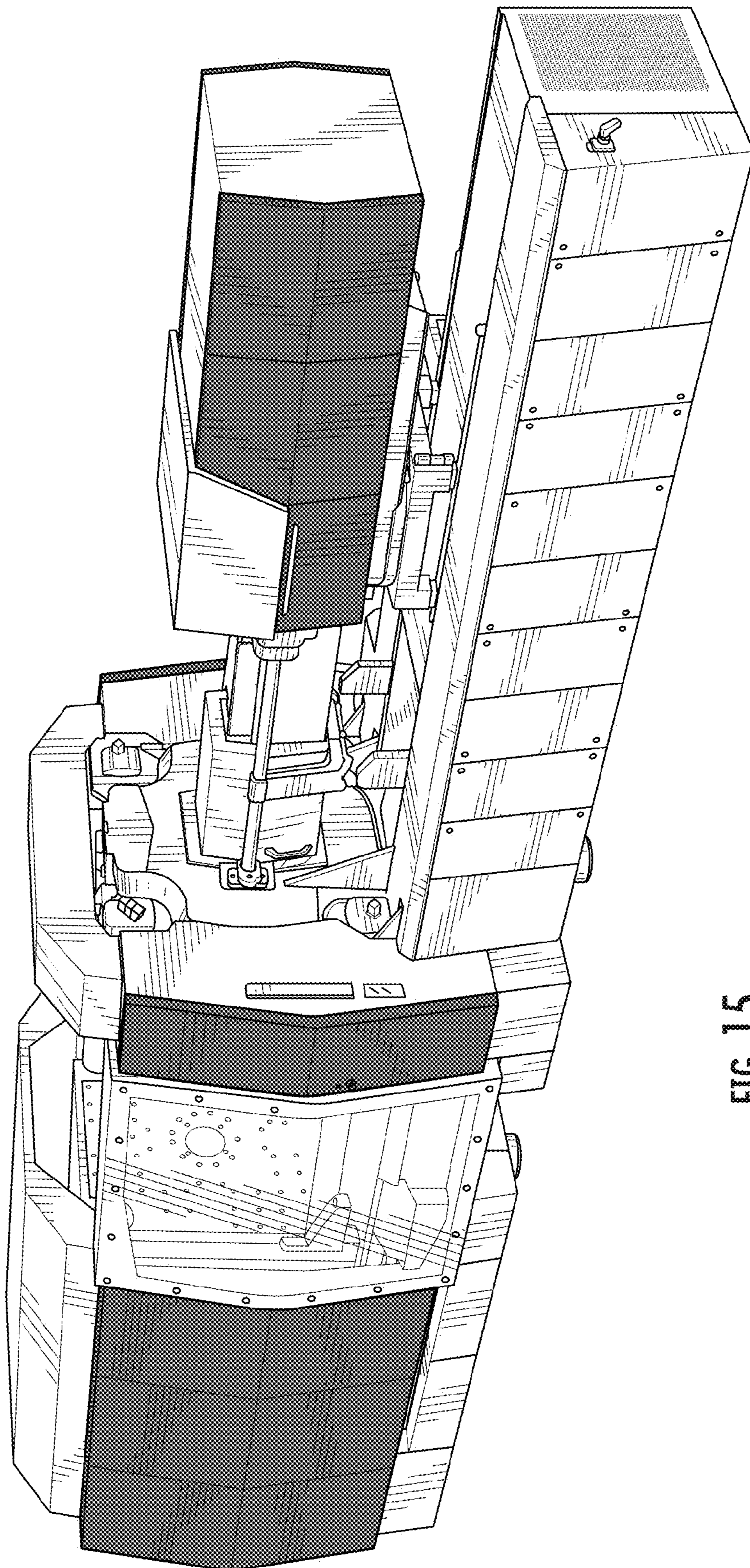


FIG. 15



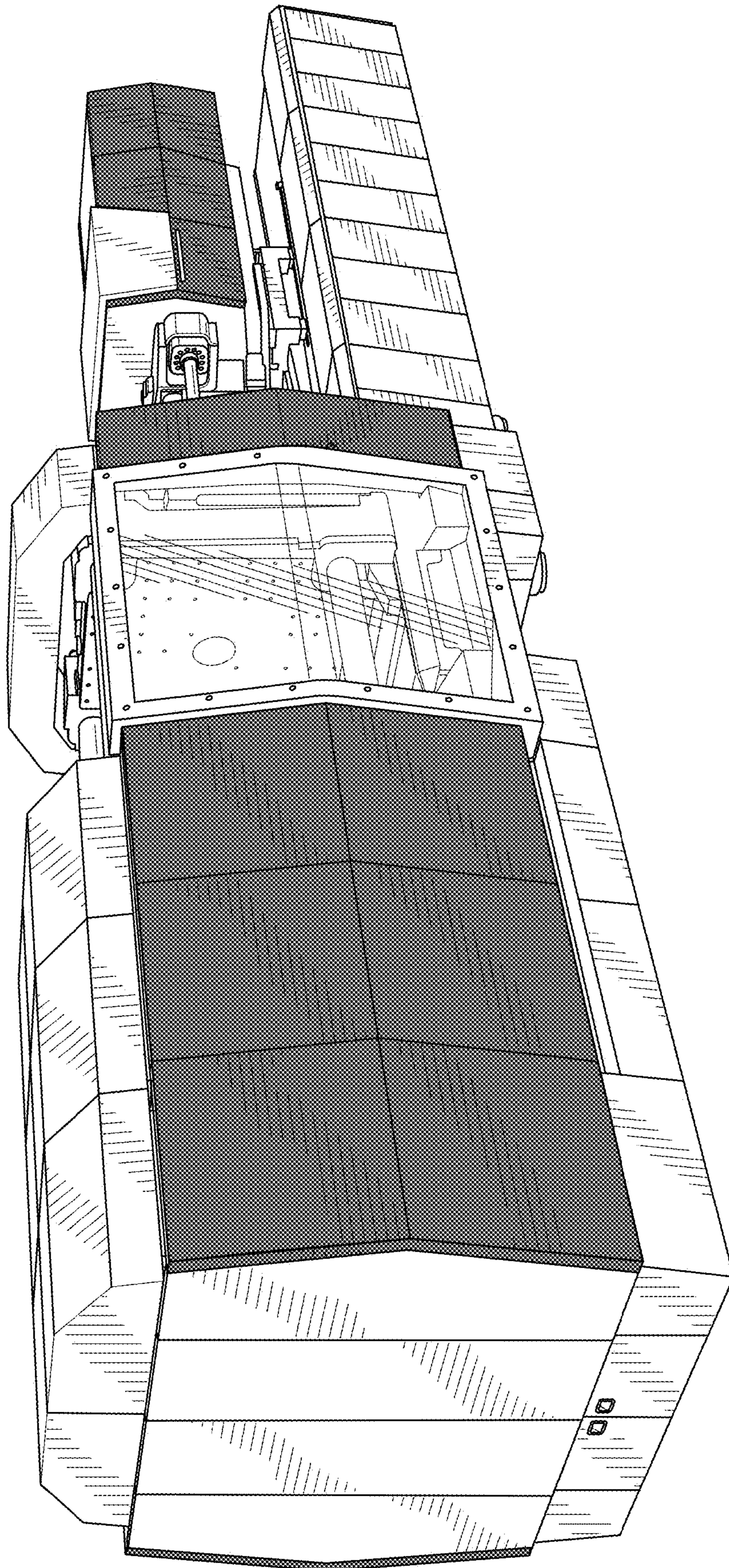


FIG. 16



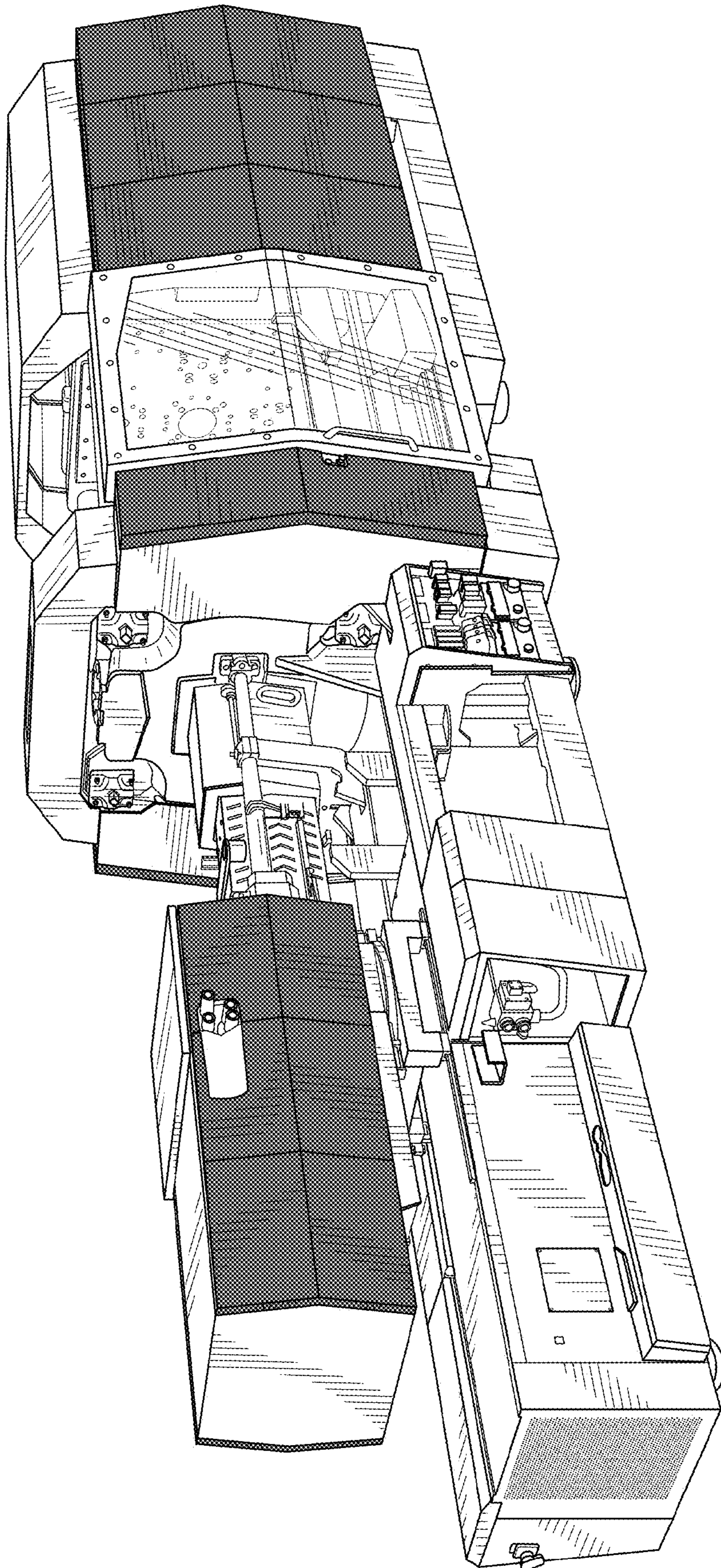


FIG. 17



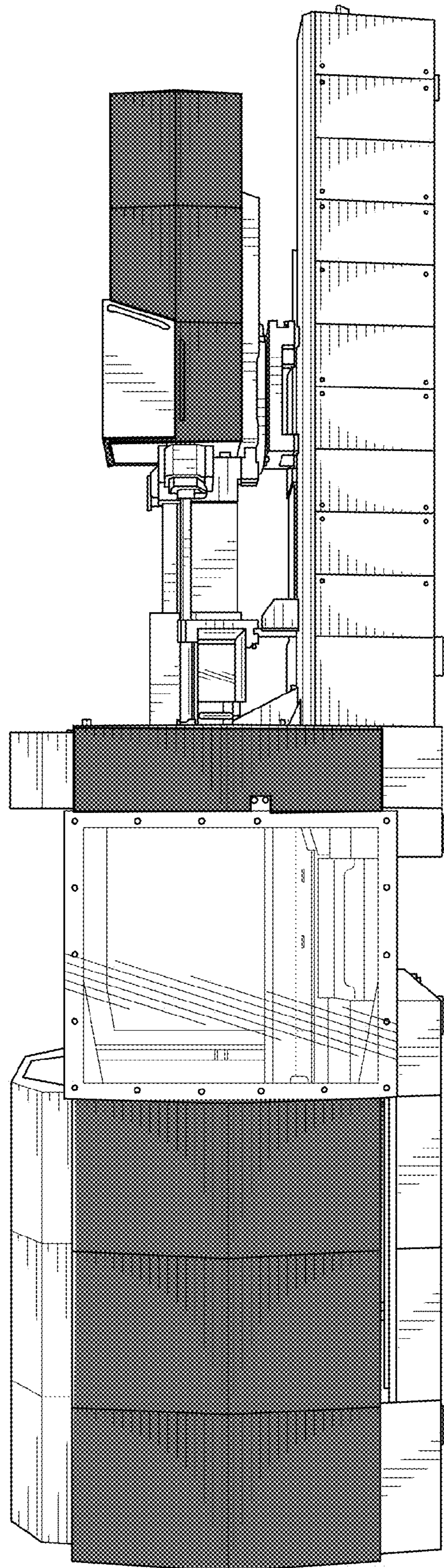


FIG. 18



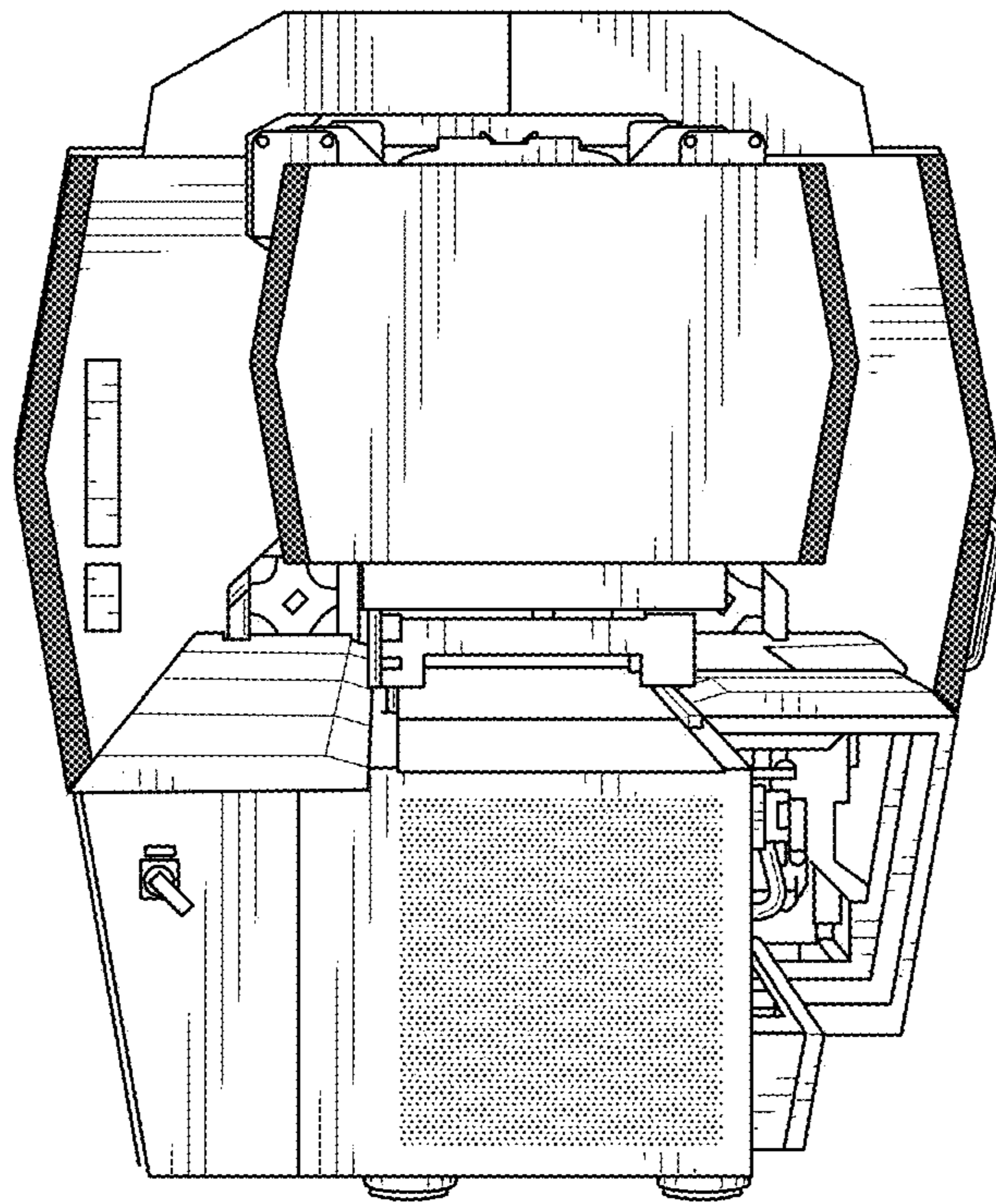


FIG. 19

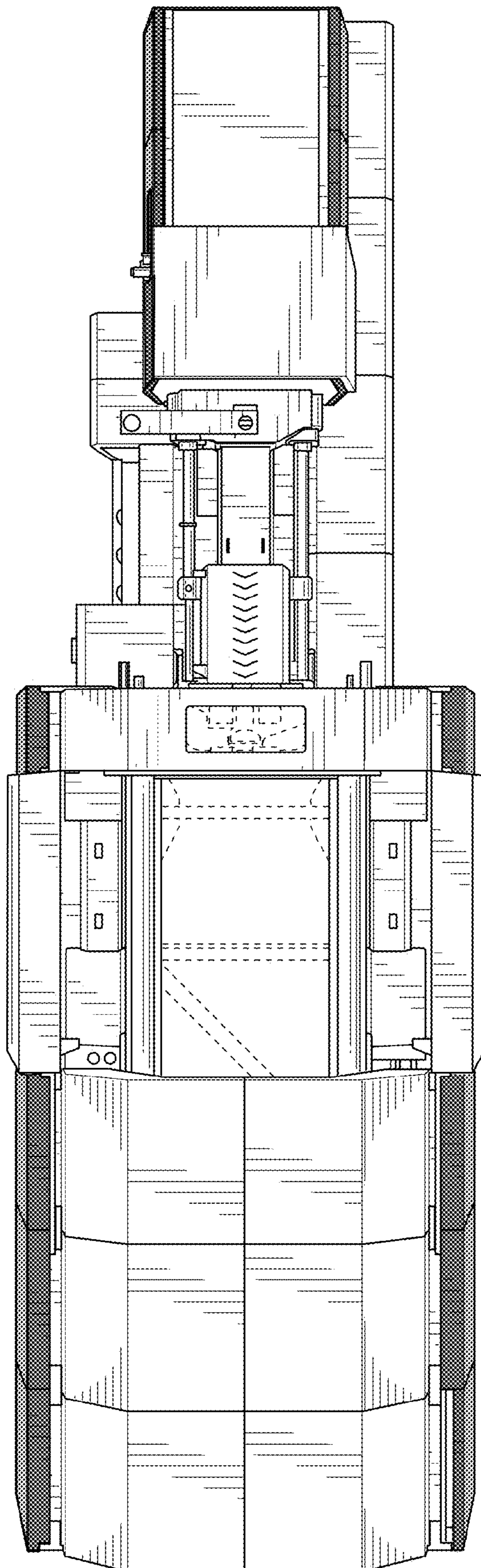


FIG. 20



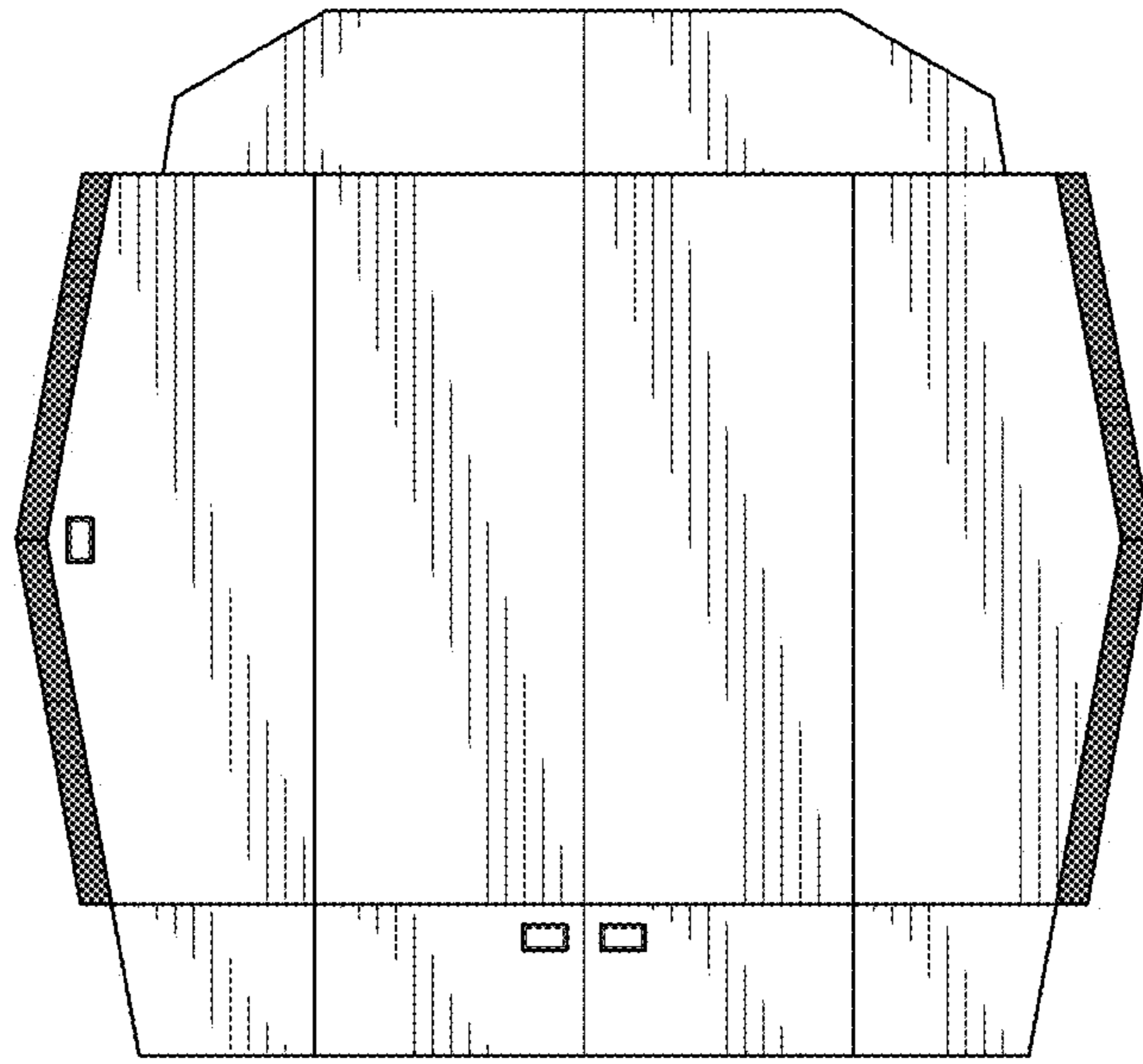


FIG. 21

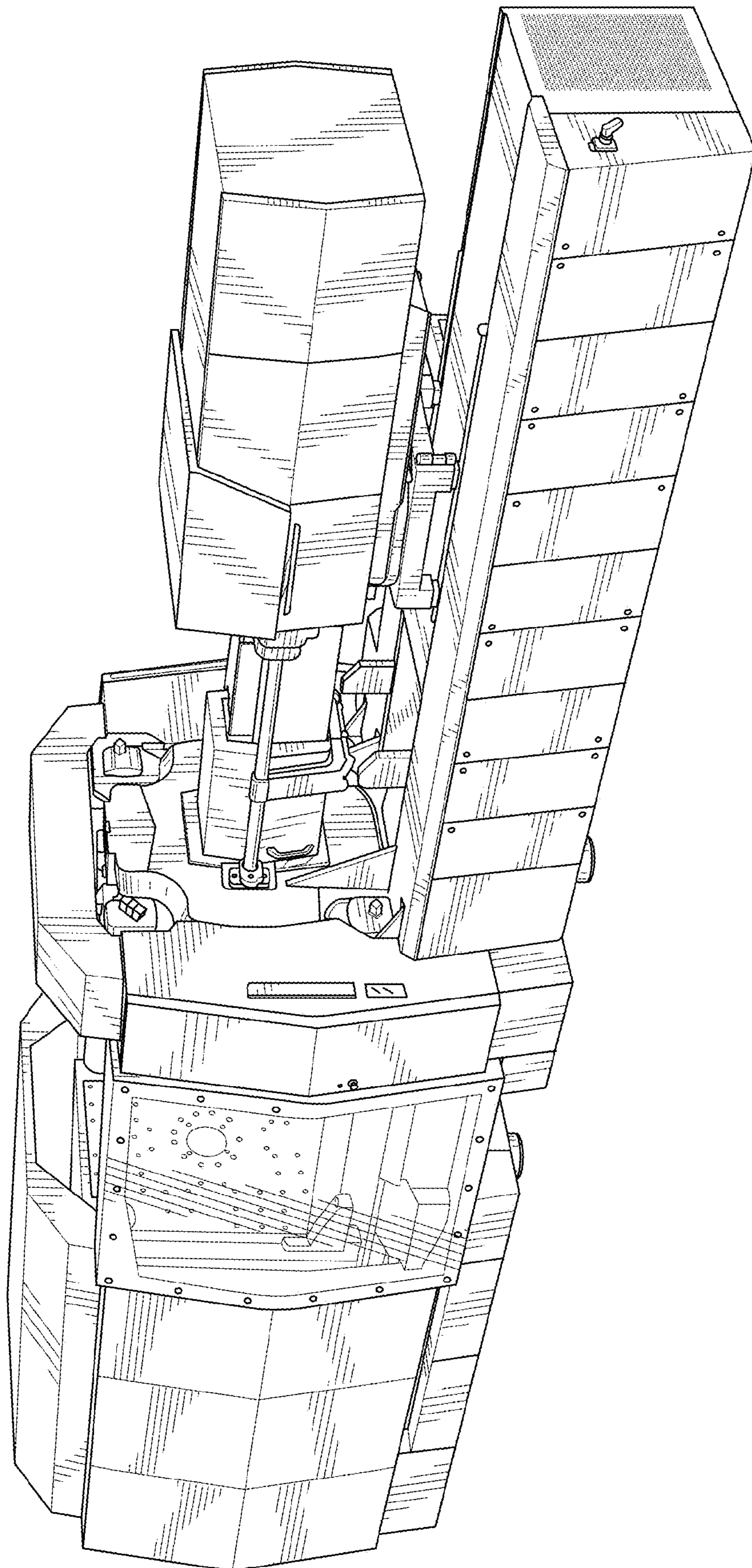


FIG. 22



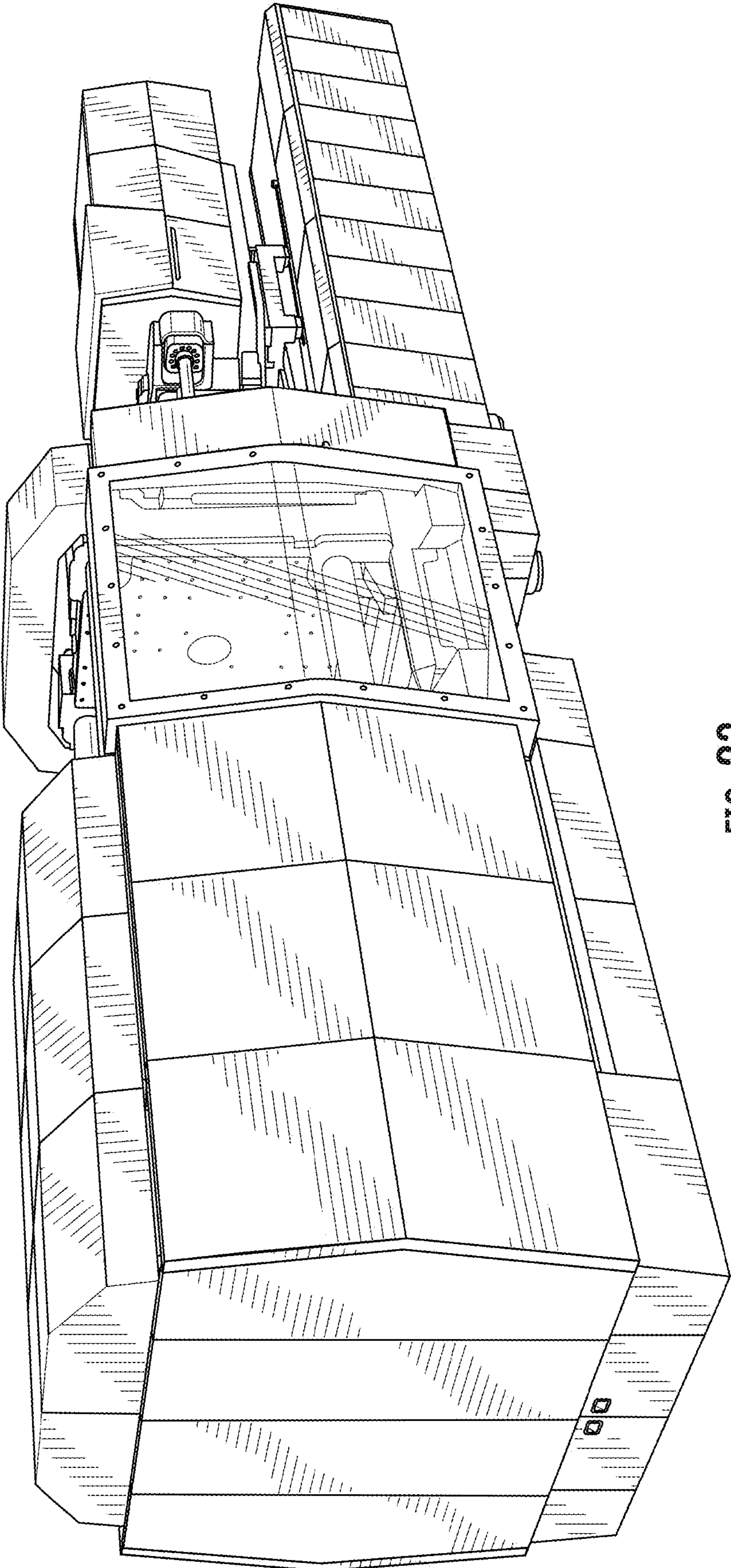


FIG. 23

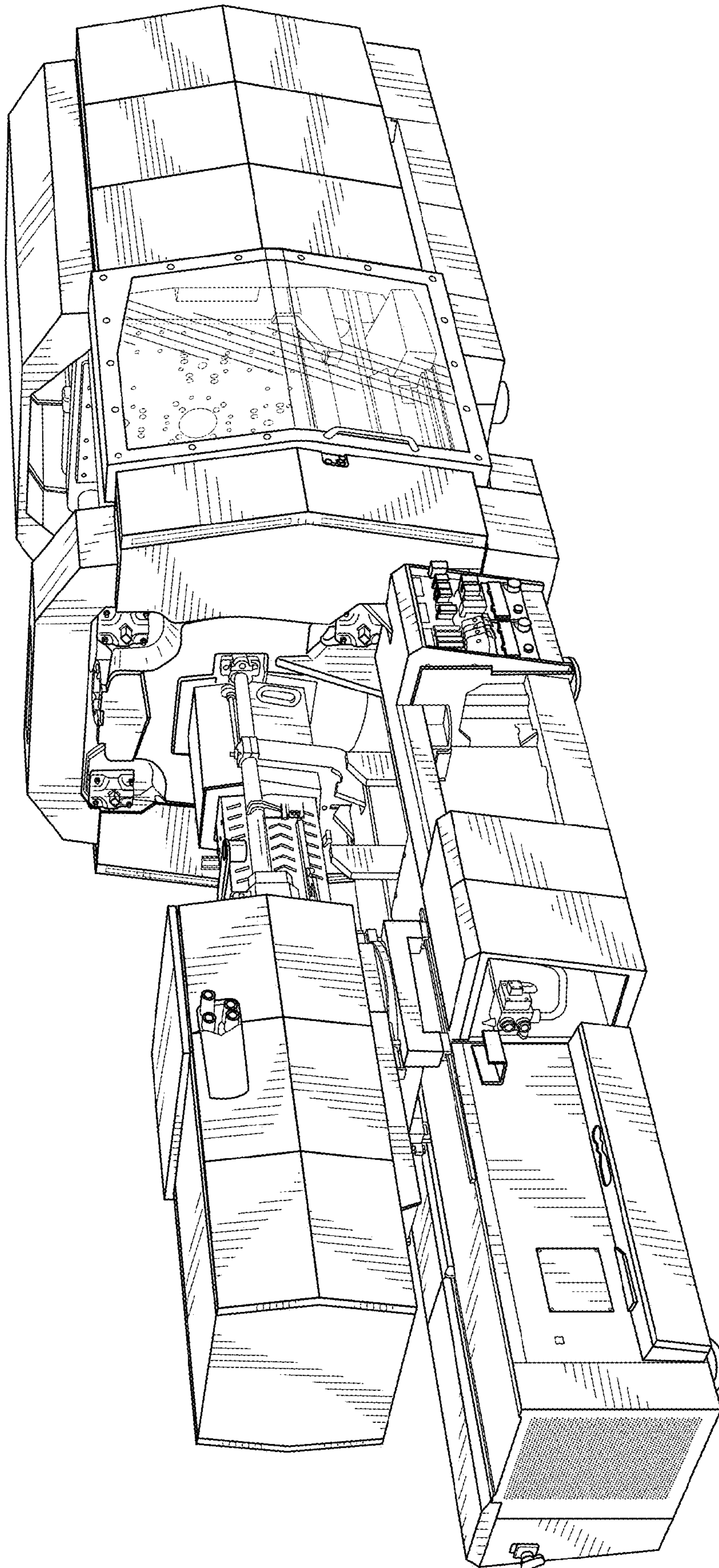


FIG. 24



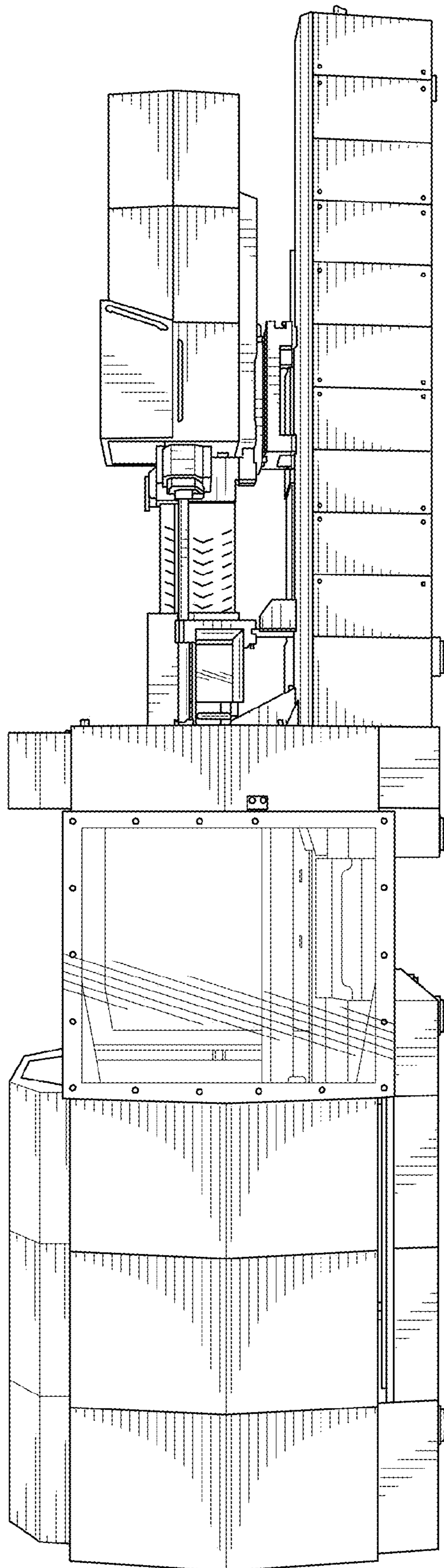


FIG. 25

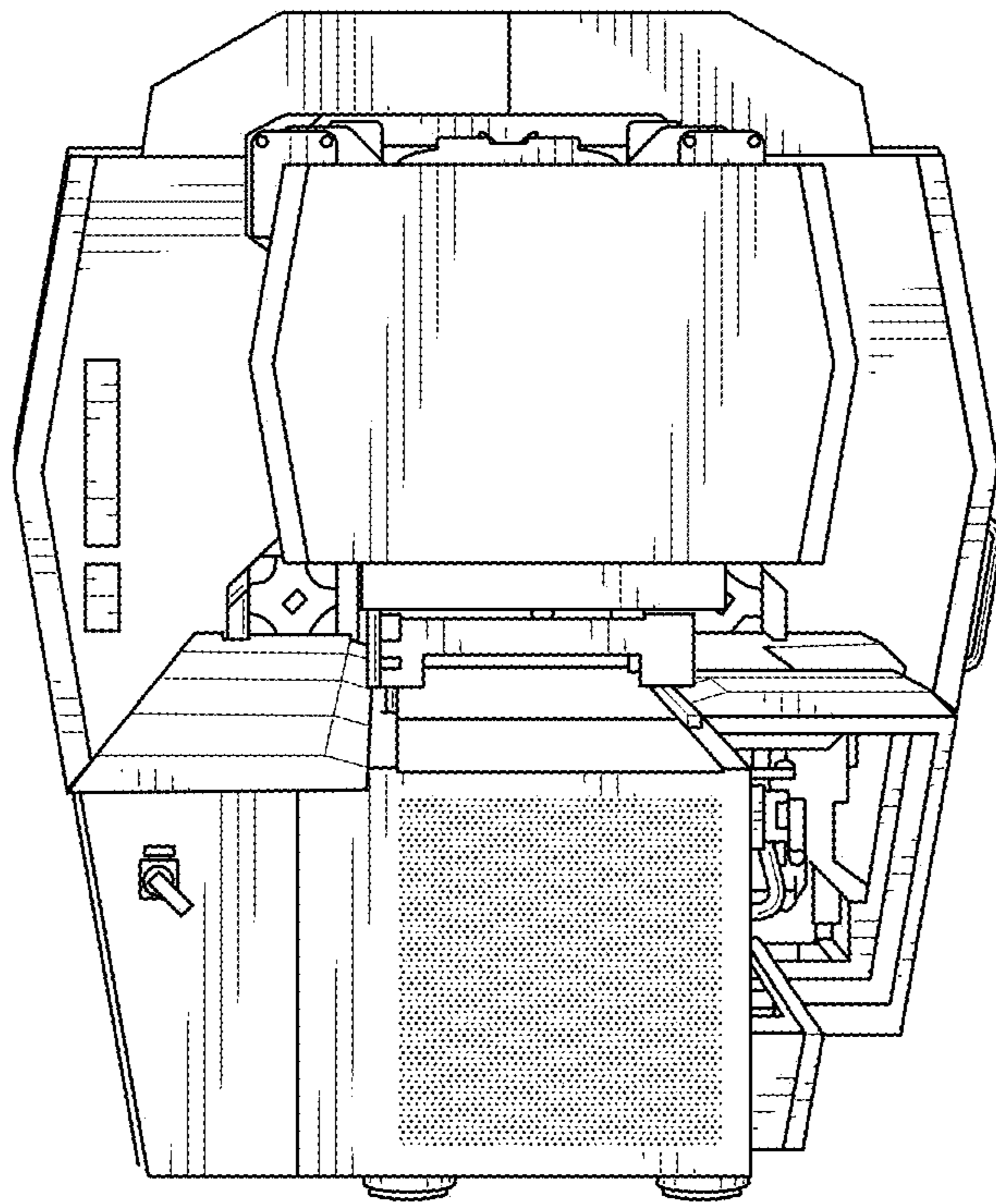


FIG. 26



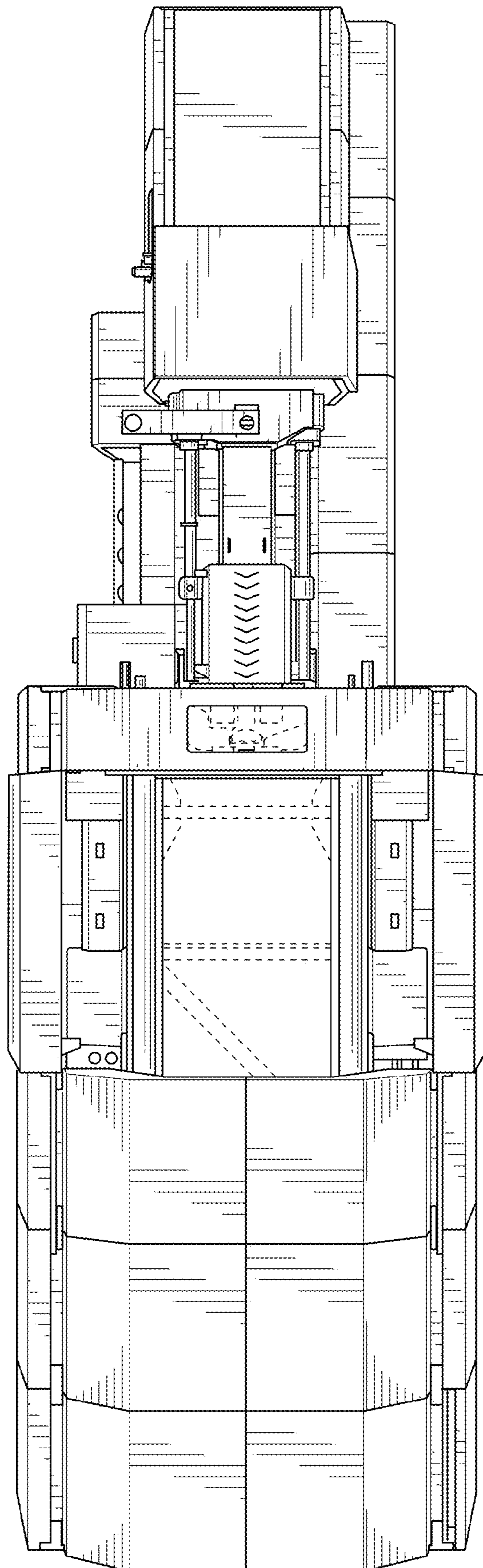


FIG. 27

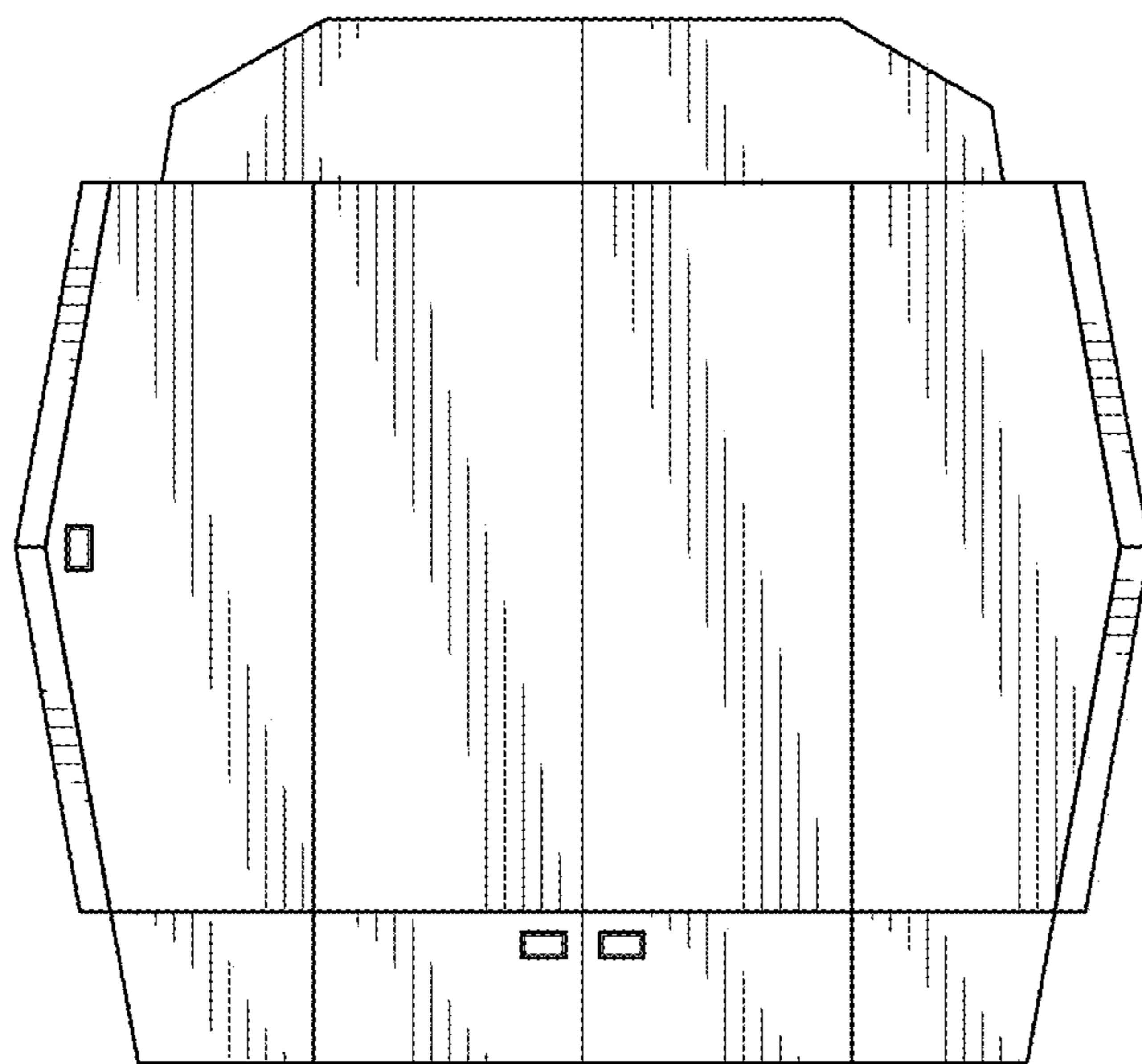


FIG. 28