



US00D880544S

(12) **United States Design Patent** (10) **Patent No.:** **US D880,544 S**
Kim et al. (45) **Date of Patent:** **** Apr. 7, 2020**

(54) **REFRIGERATOR**

25/005; F25D 25/022; F25D 25/024;
F25D

(71) Applicant: **LG ELECTRONICS INC.**, Seoul
(KR)

(Continued)

(72) Inventors: **Sanghun Kim**, Seoul (KR); **Yong Kim**,
Seoul (KR); **Jinhee Park**, Seoul (KR);
Daesung Lee, Seoul (KR); **Kyukwan**
Choi, Seoul (KR)

(56) **References Cited**

U.S. PATENT DOCUMENTS

D615,565 S * 5/2010 Kristiansen D15/86
D629,022 S * 12/2010 Cho D15/85

(Continued)

(73) Assignee: **LG ELECTRONICS INC.**, Seoul
(KR)

Primary Examiner — Richard E Chilcot

(74) *Attorney, Agent, or Firm* — Birch, Stewart, Kolasch
& Birch, LLP

(**) Term: **15 Years**

(57) **CLAIM**

The ornamental design for a refrigerator, as shown and
described.

(21) Appl. No.: **35/506,515**

DESCRIPTION

(22) Filed: **Aug. 14, 2018**

(80) **Hague Agreement Data**

Int. Filing Date: **Aug. 14, 2018**

Int. Reg. No.: **DM/102654**

Int. Reg. Date: **Aug. 14, 2018**

Int. Reg. Pub. Date: **Feb. 15, 2019**

(51) **LOC (12) Cl.** **15-07**

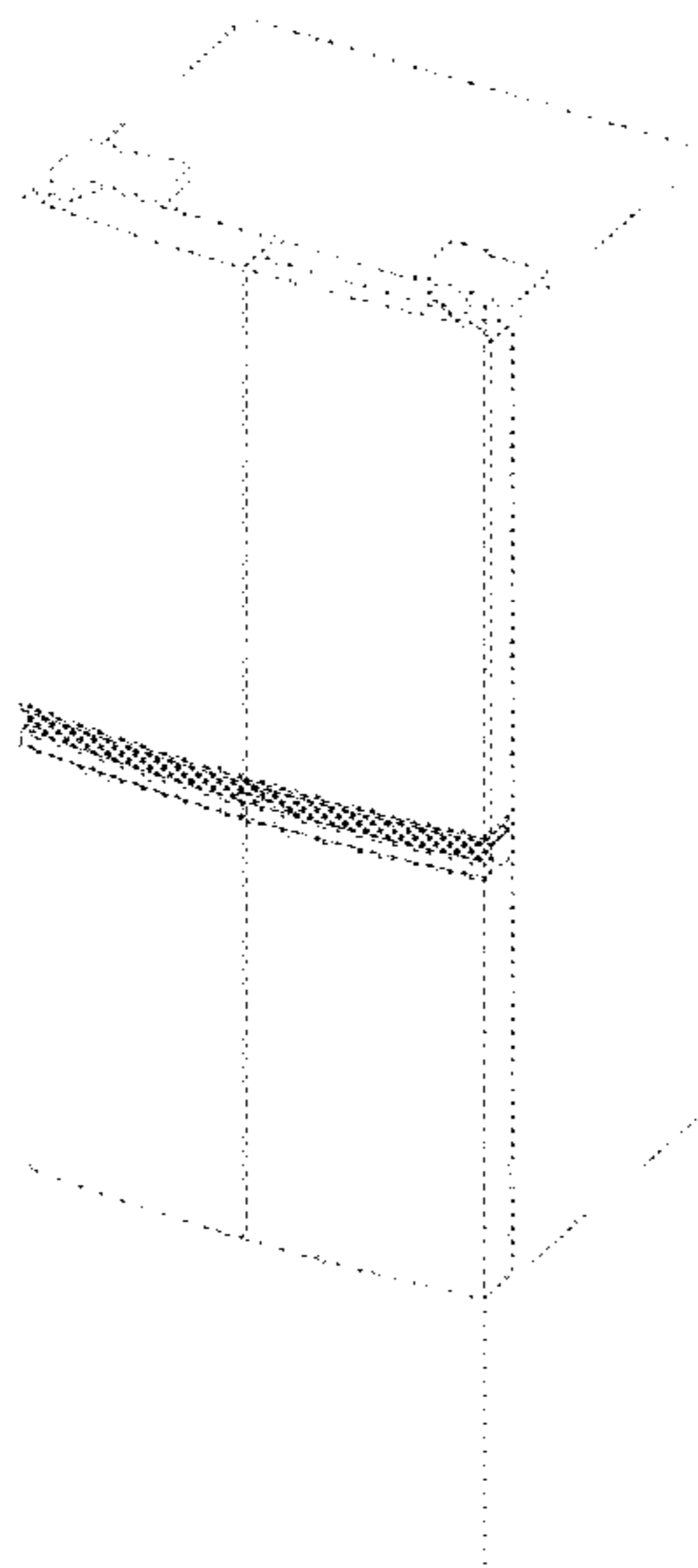
(52) **U.S. Cl.**
USPC **D15/91**

(58) **Field of Classification Search**
USPC D15/79–91
CPC F25D 25/025; F25D 23/028; F25D
2323/024; F25D 23/00; F25D 23/02;
F25D 2323/021; F25D 23/065; F25D
11/00; F25D 2201/14; F25D 23/021;
F25D 23/025; F25D 23/04; F25D 27/00;
F25D 23/062; F25D 23/067; F25D
2400/18; F25D 23/08; F25D 23/085;
F25D 2500/02; F25D 25/00; F25D

- 1. Refrigerator
- 1.1 : Perspective
- 1.2 : Perspective view 2
- 1.3 : Perspective view 3
- 1.4 : Perspective view 4
- 1.5 : Front
- 1.6 : Back
- 1.7 : Left
- 1.8 : Right
- 1.9 : Top
- 1.10 : Bottom
- 1.11 : Perspective view 5
- 1.12 : Perspective view 6

The broken lines depict portions of the refrigerator that form
no part of the claimed design; the dash-dot broken lines
define the boundary of the claimed design and form no part
thereof; reproduction 1.1 is a top right perspective view of
the refrigerator; reproduction 1.2 is a top left perspective
view thereof; reproduction 1.3 is a bottom right perspective
view thereof; reproduction 1.4 is a bottom left perspective
view thereof; reproductions 1.5 to 1.10 are the front, back,
left, right, top and bottom views thereof; reproduction 1.11
is a perspective view showing the handle at the lower part of

(Continued)



the refrigerator by removing the upper part of the refrigerator; reproduction 1.12 is a perspective view showing the handle at the upper part of the refrigerator by removing the lower part of the refrigerator; this design is for refrigerator having recessed shape handles, and the inside of the handle at the lower part is transparent.

1 Claim, 12 Drawing Sheets

(52) **U.S. Cl.**
CPC *F25D 25/025* (2013.01)

(58) **Field of Classification Search**
CPC .. 17/047; F25D 2317/041; F25D 2317/04131;
F25D 2317/043; F25D 2317/0664; F25D
2321/147; F25D 2323/02; F25D 2323/023
See application file for complete search history.

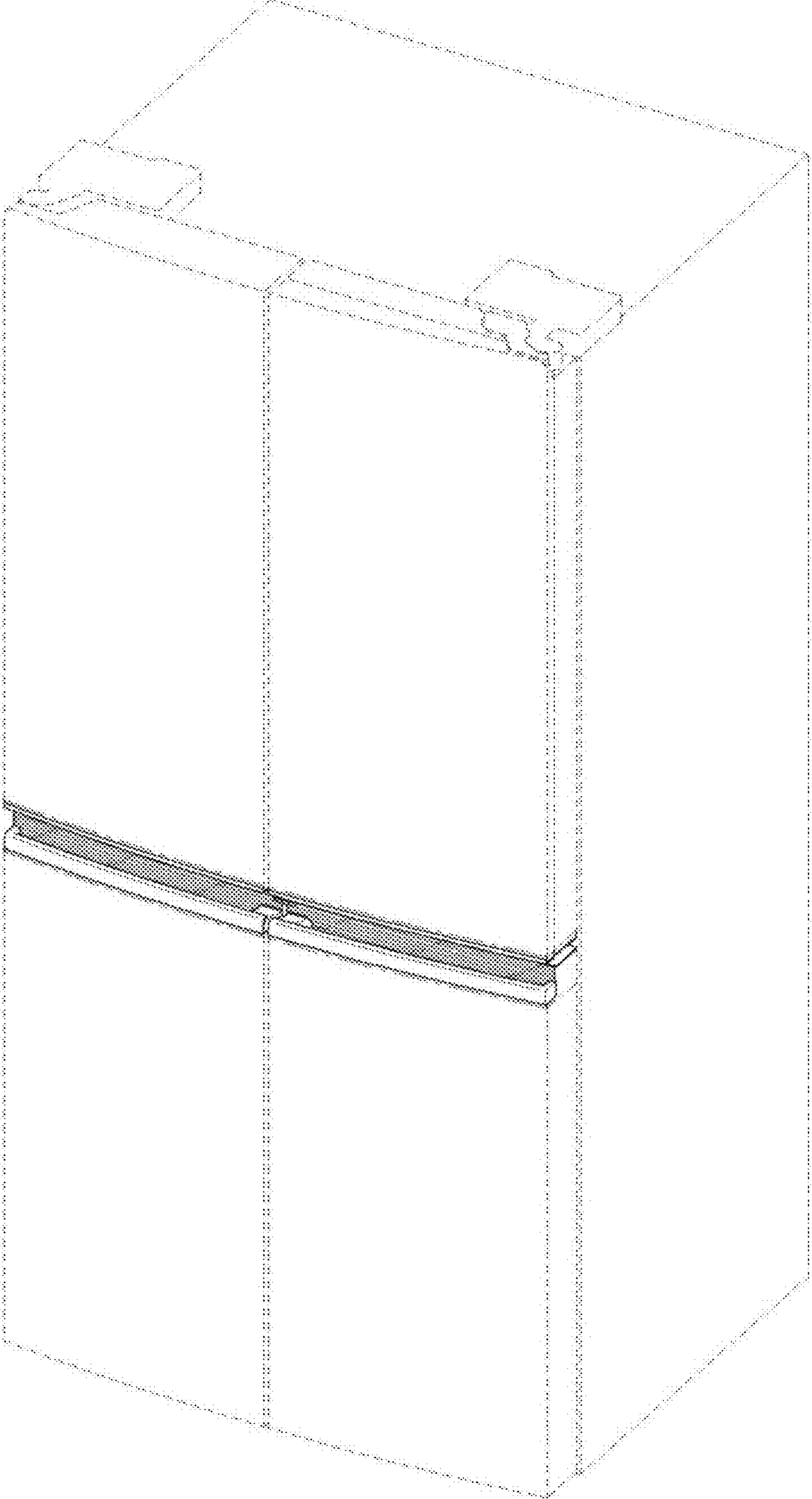
(56) **References Cited**

U.S. PATENT DOCUMENTS

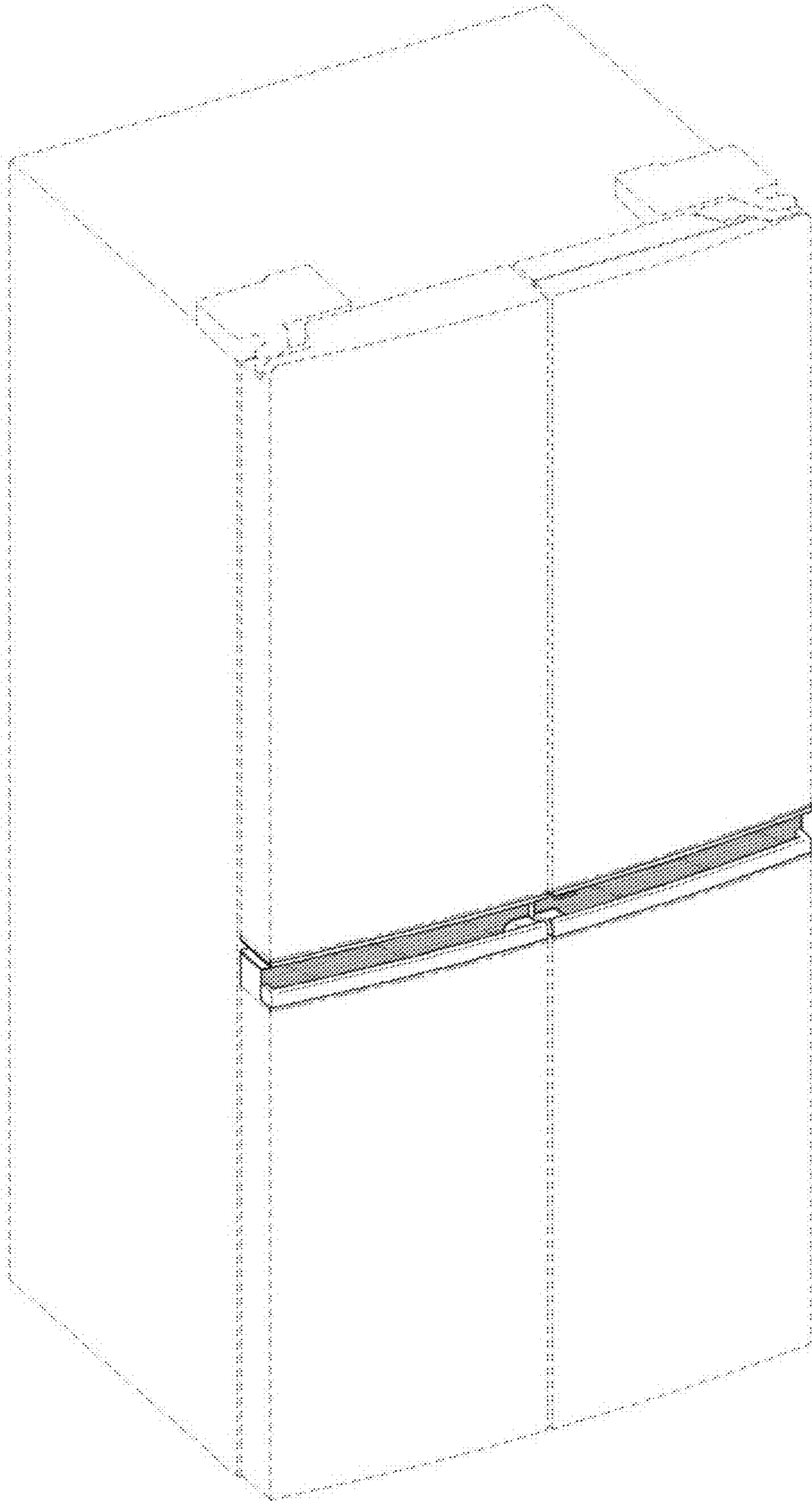
D656,967	S	*	4/2012	Yi	D15/86
D673,189	S	*	12/2012	Kwak	D15/86
D681,075	S	*	4/2013	Yi	D15/86
D691,644	S	*	10/2013	Cho	D15/86
D701,539	S	*	3/2014	Saejin	D15/85
D702,739	S	*	4/2014	Kim	D15/86
D724,629	S	*	3/2015	Choi	D15/85
D729,286	S	*	5/2015	Kwak	D15/85
D732,584	S	*	6/2015	Sin	D15/86
D742,434	S	*	11/2015	Yeo	D15/86
D767,648	S	*	9/2016	Shoemaker	D15/86
D826,998	S	*	8/2018	Lee	D15/91

* cited by examiner

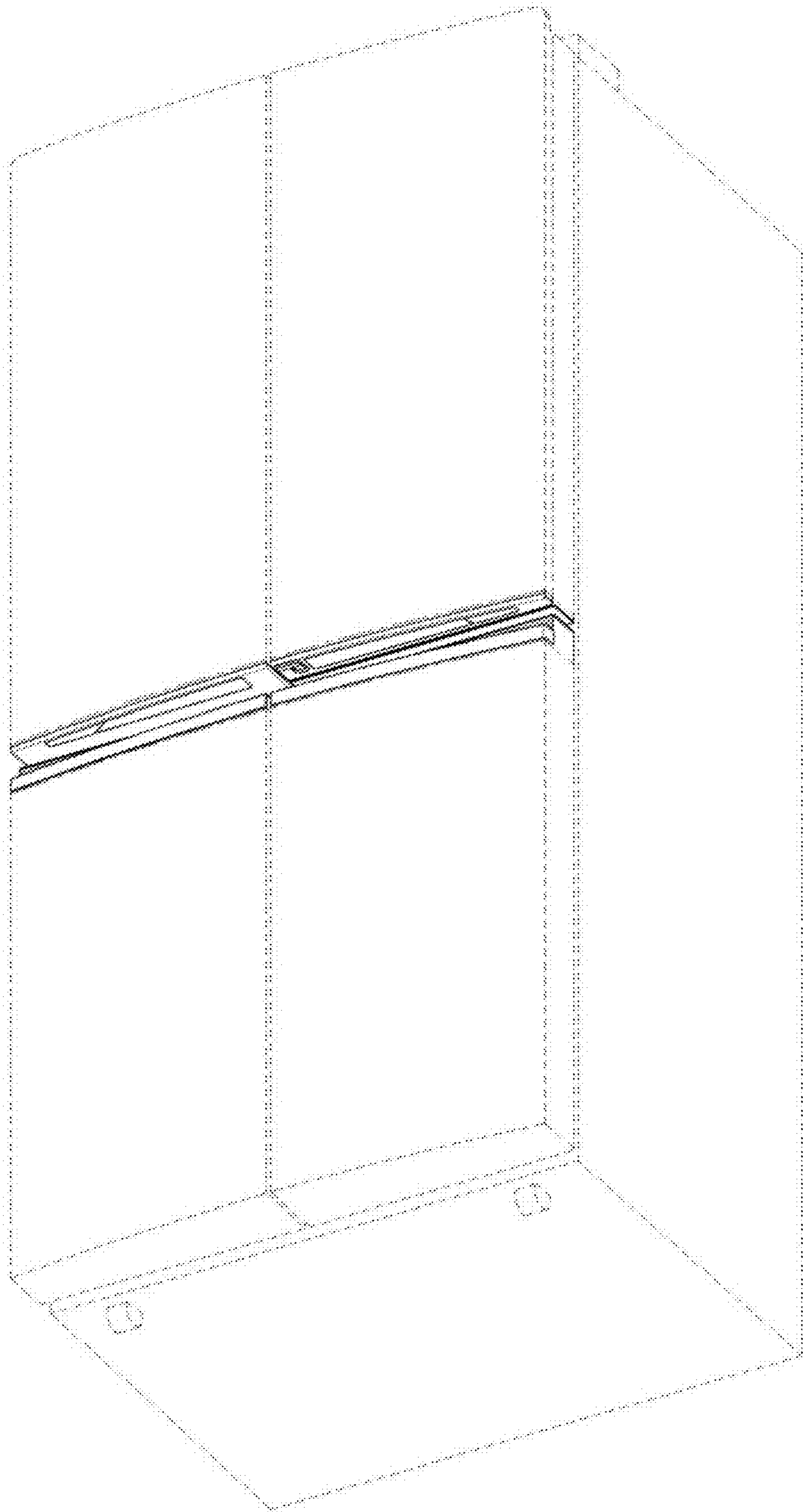
1.1



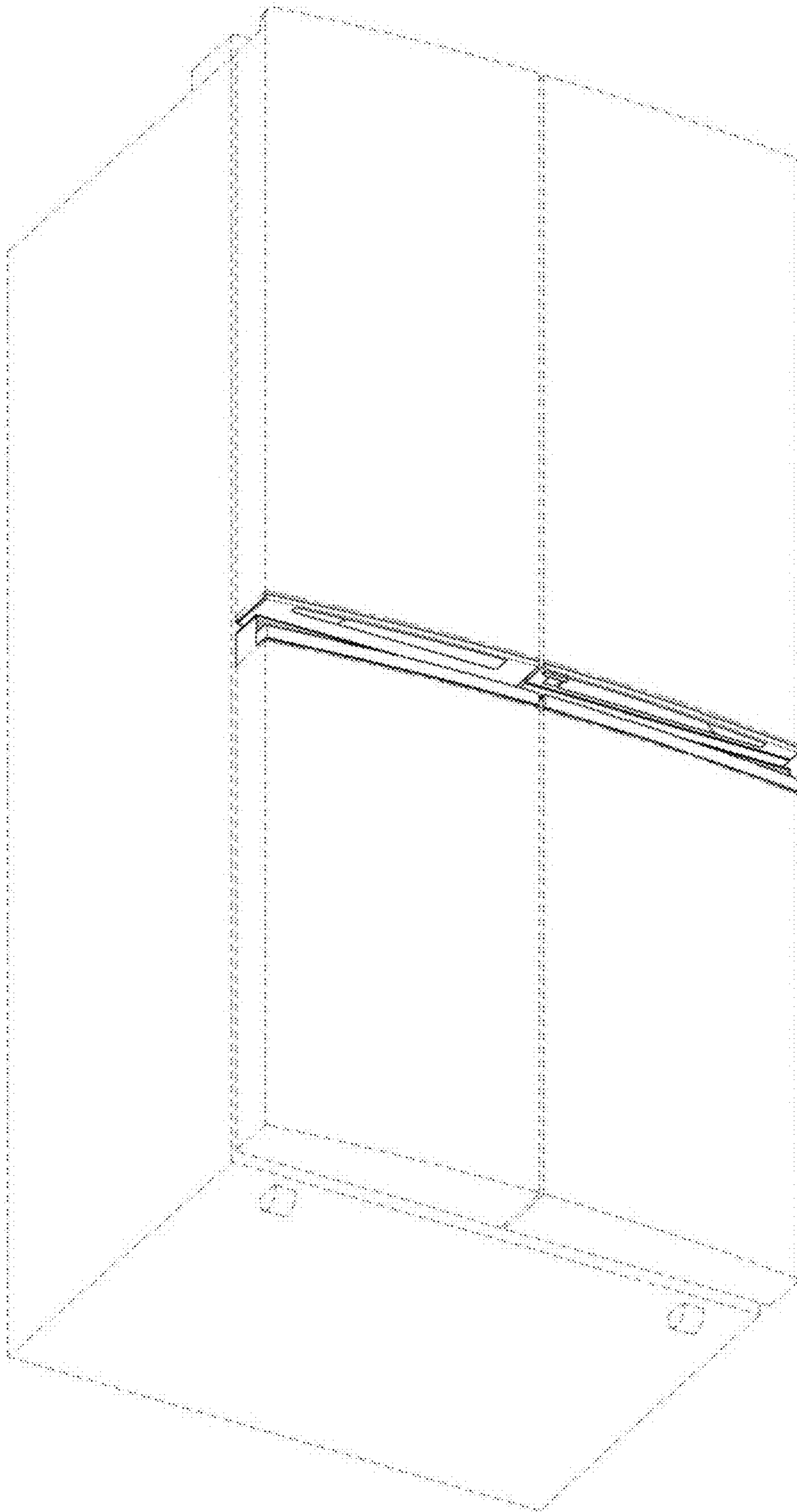
1.2



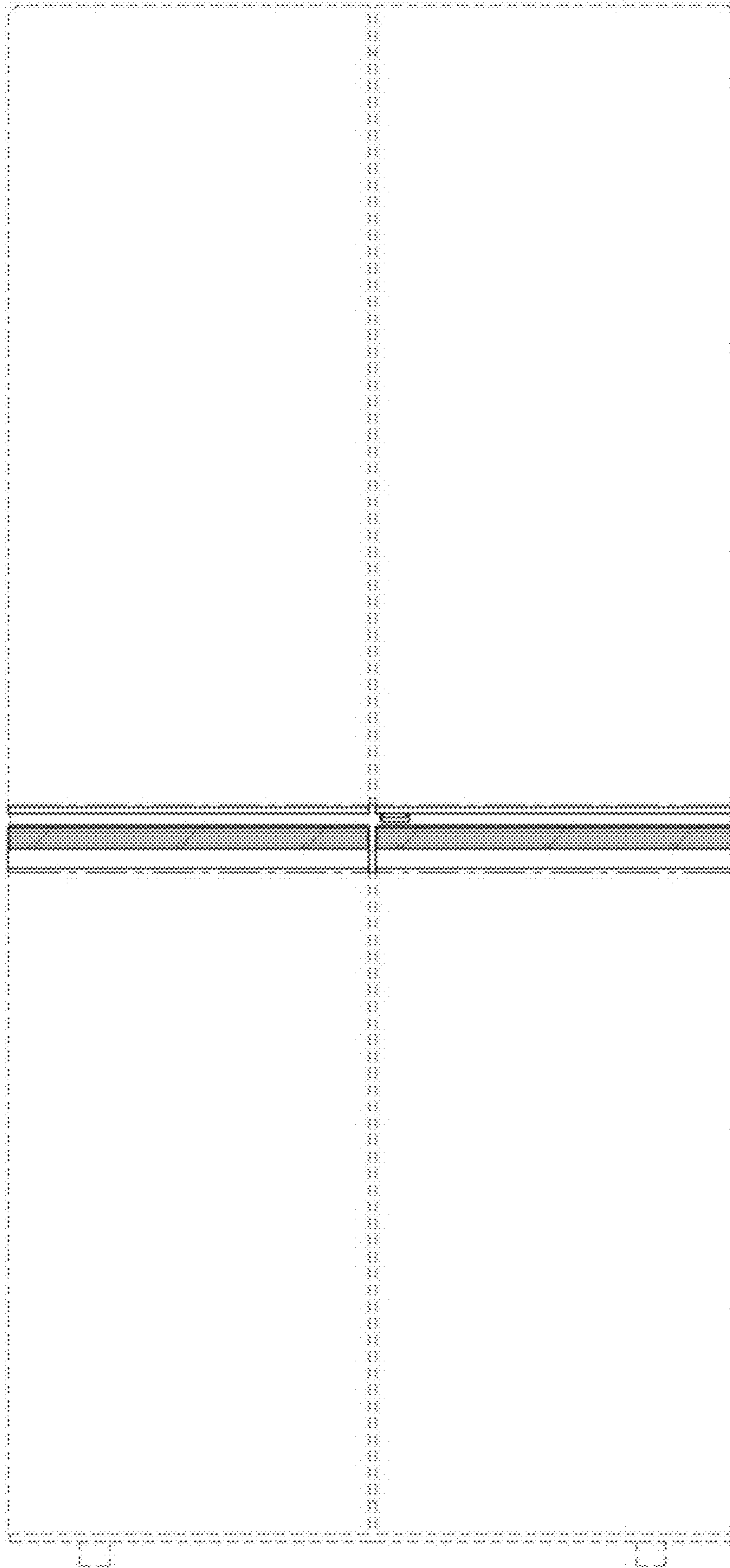
1.3



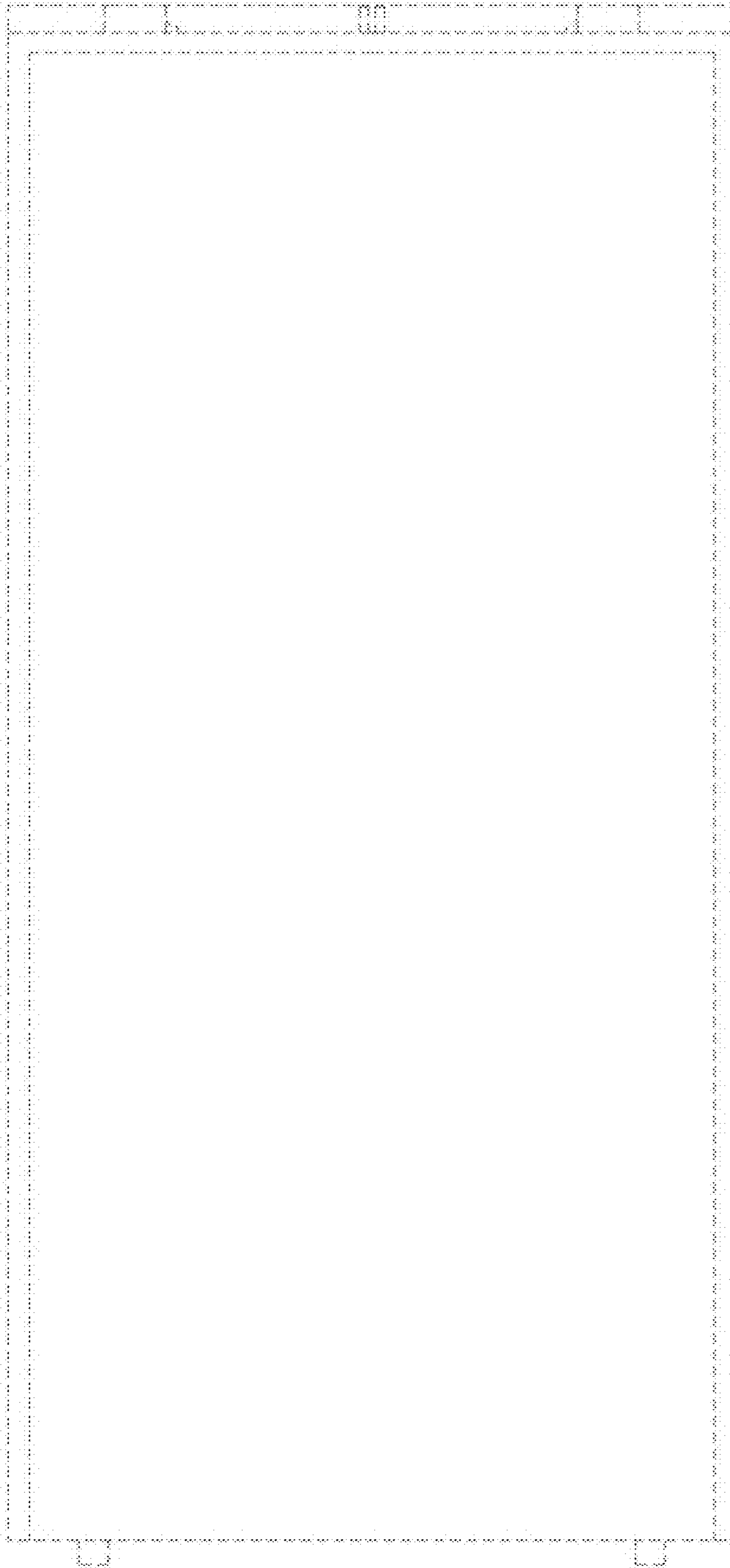
1.4



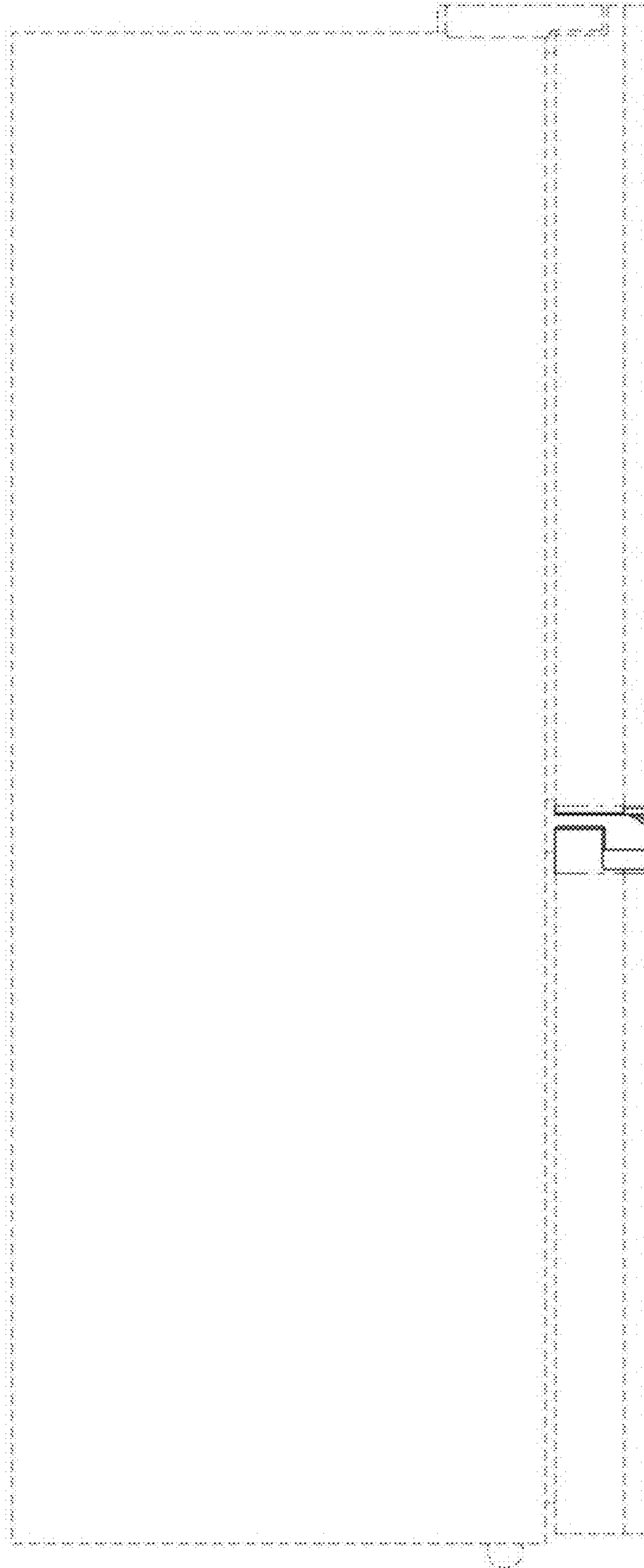
1.5



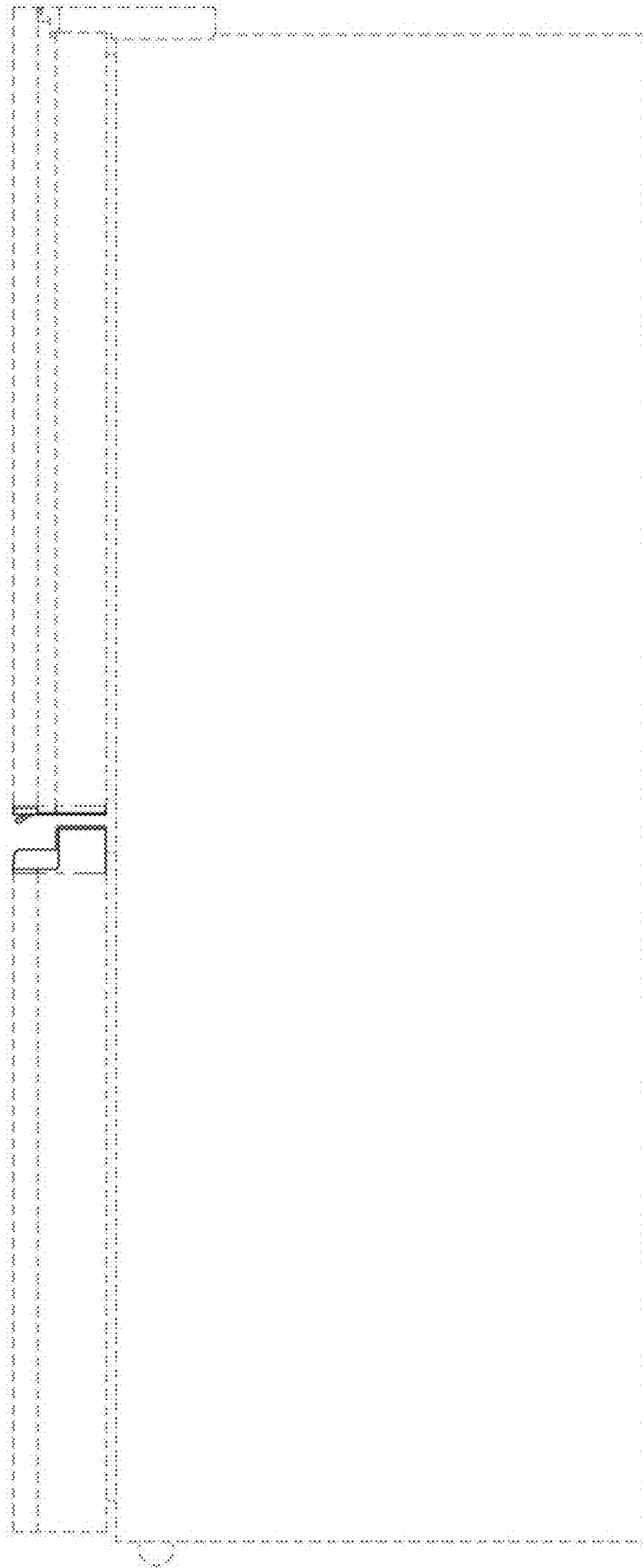
1.6



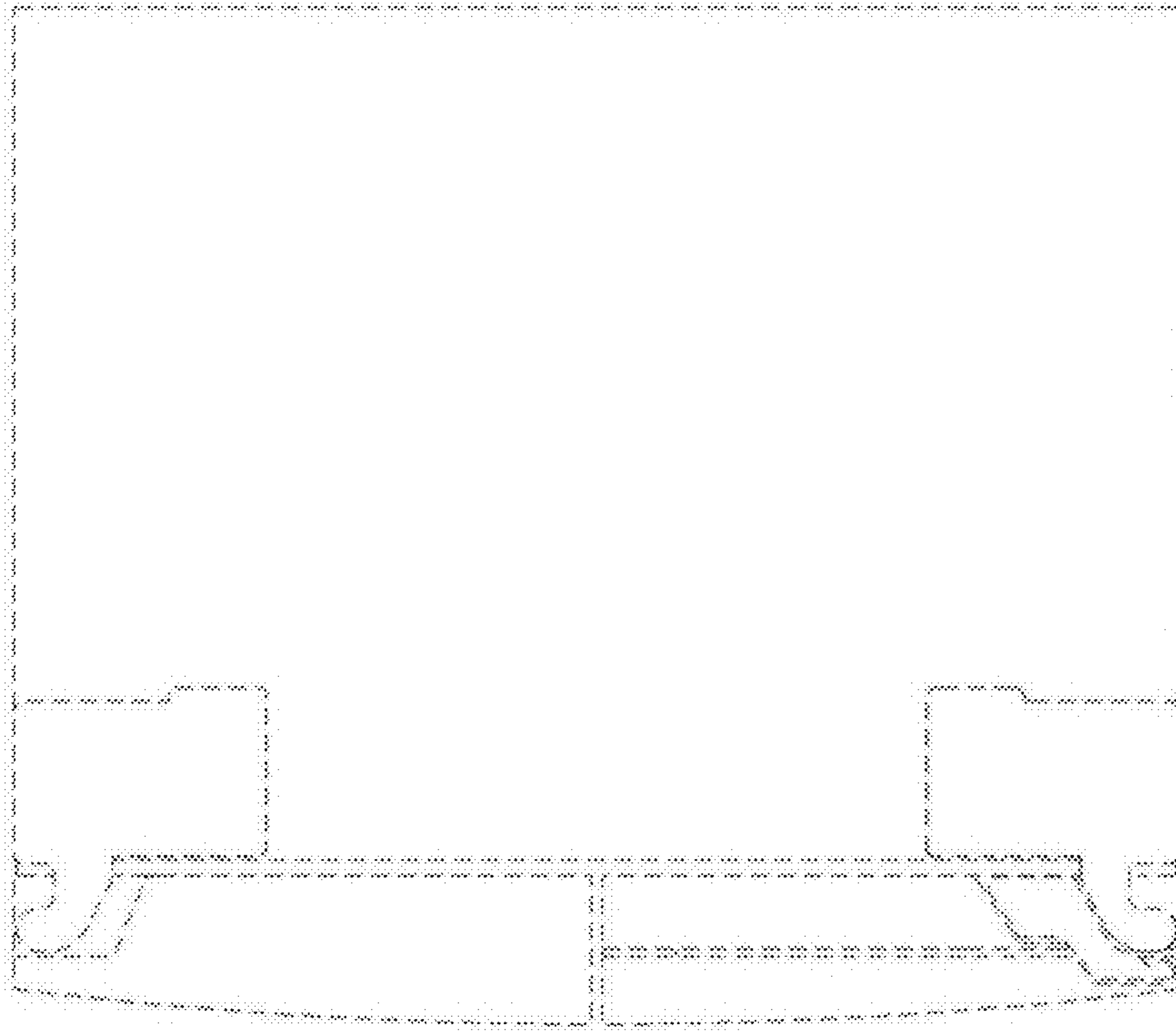
1.7



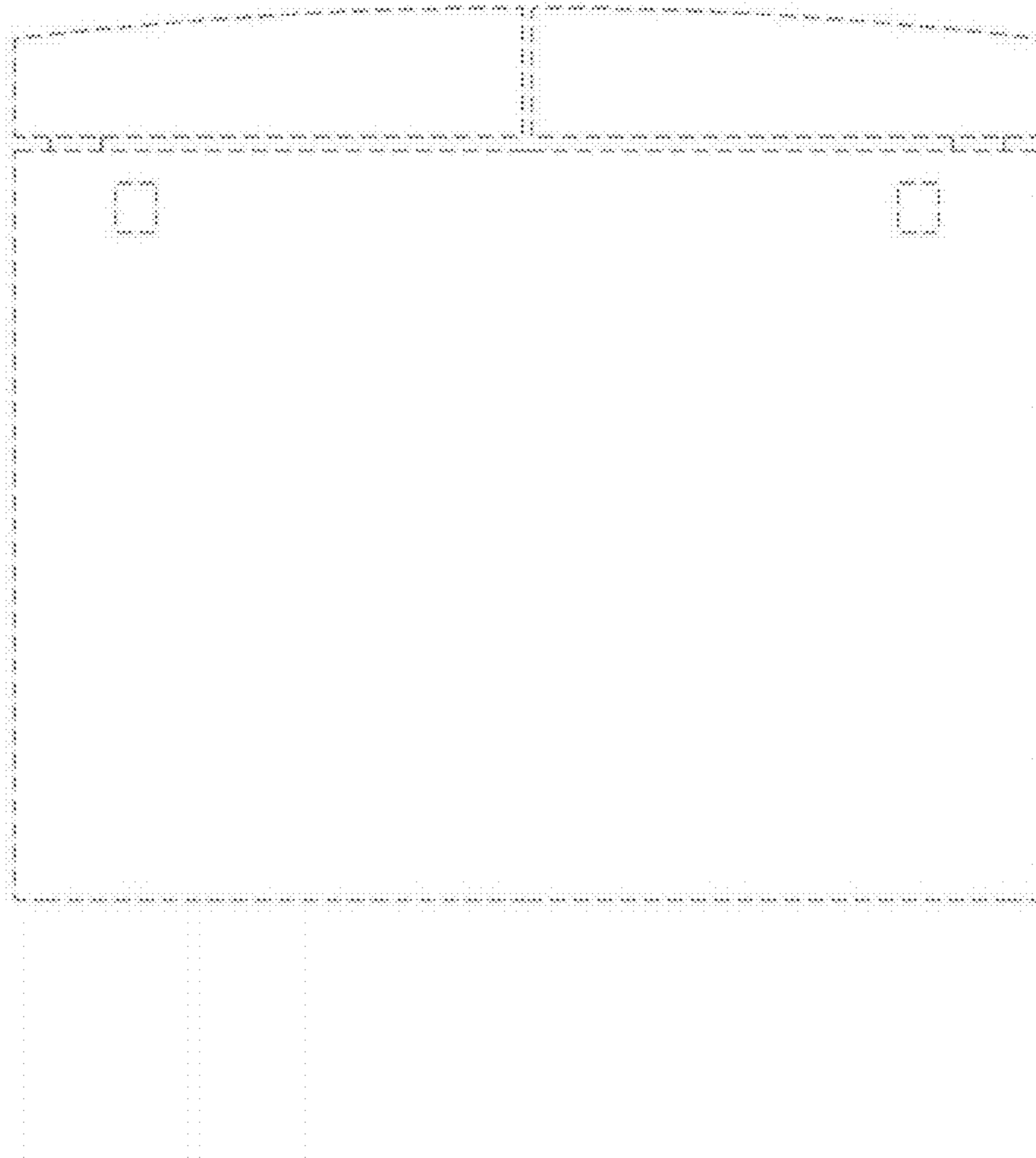
1.8



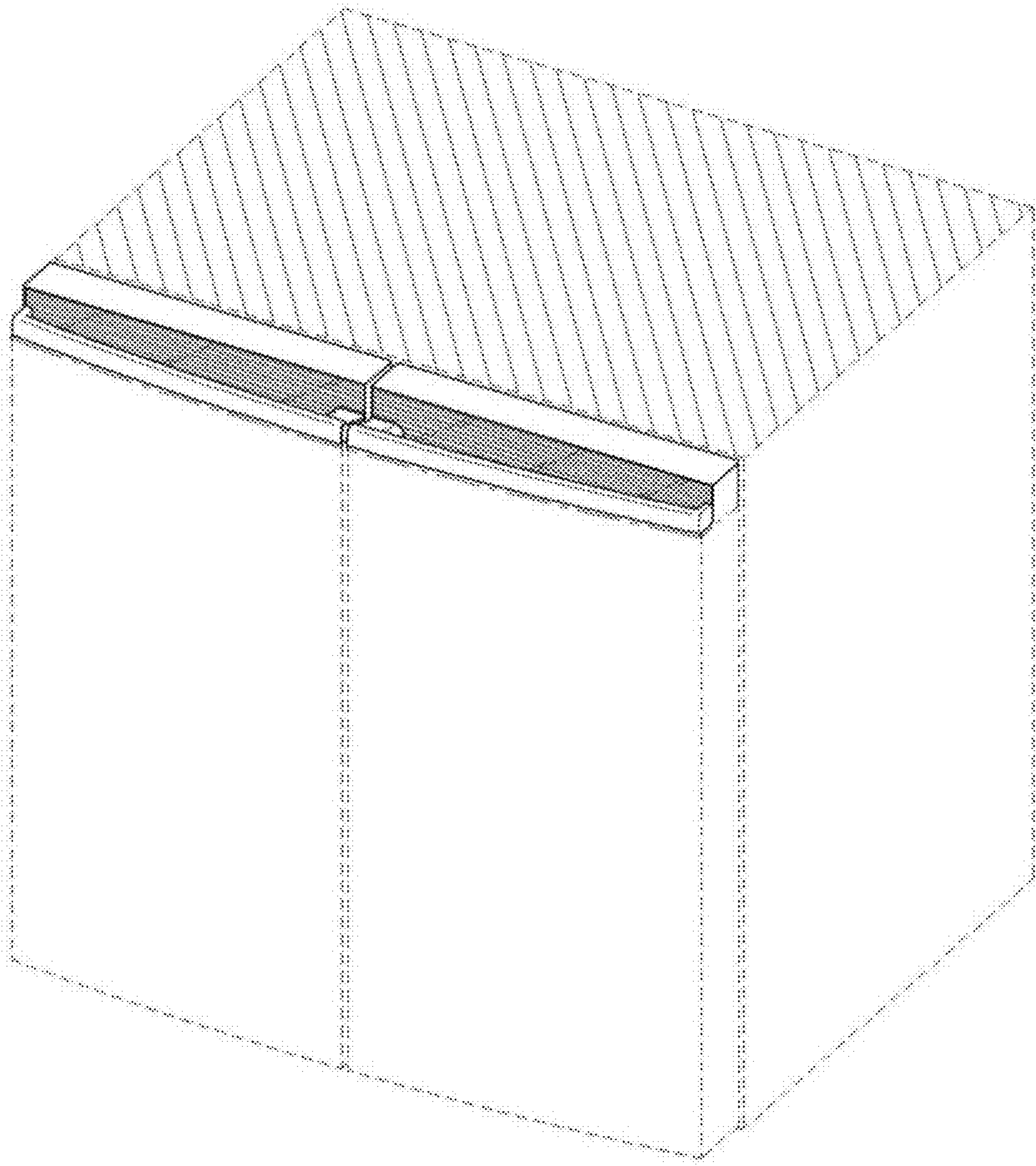
1.9



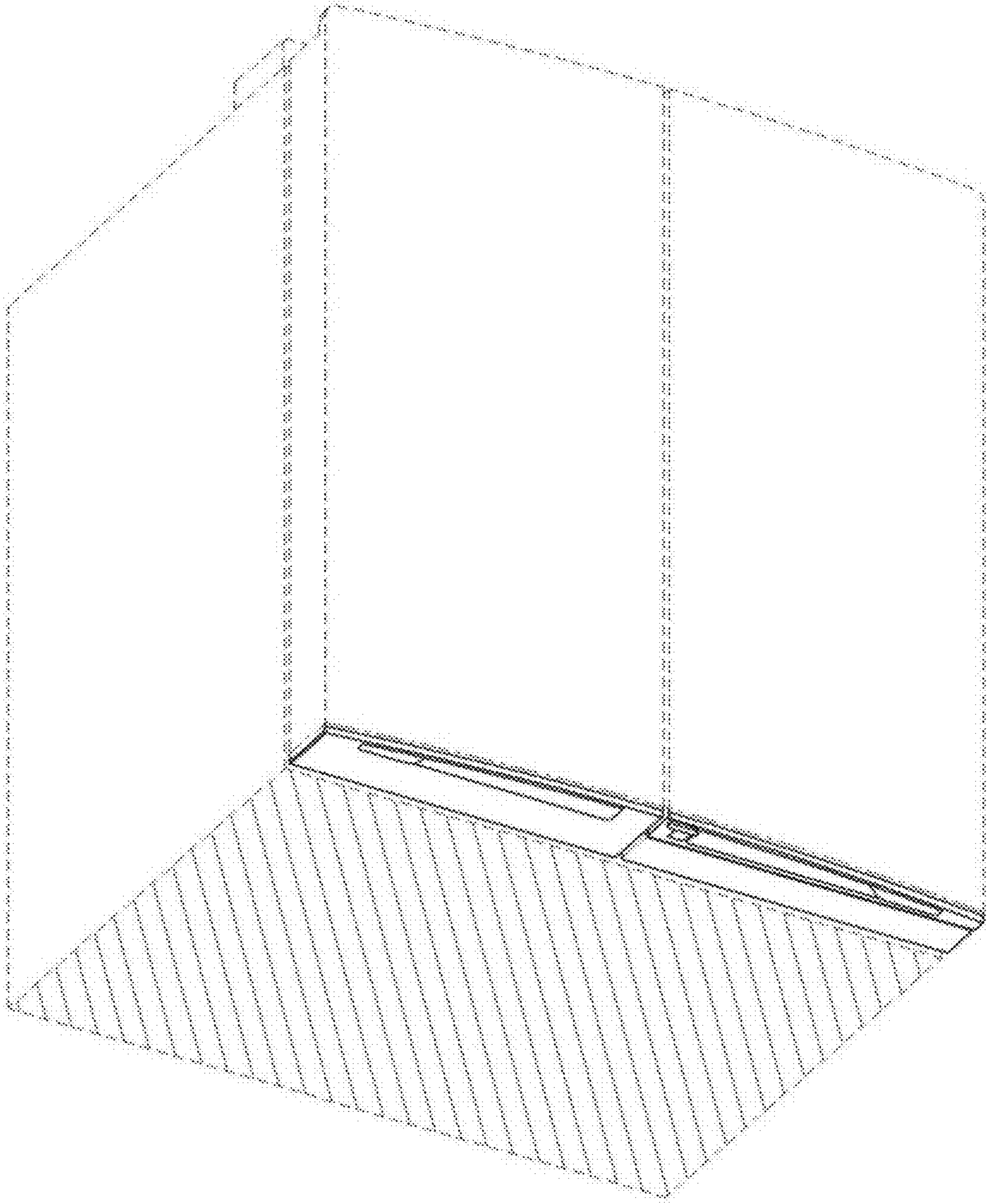
1.10



1.11



1.12



UNITED STATES PATENT AND TRADEMARK OFFICE
CERTIFICATE OF CORRECTION

PATENT NO. : D880,544 S
APPLICATION NO. : 35/506515
DATED : April 7, 2020
INVENTOR(S) : Sanghun Kim et al.

Page 1 of 1

It is certified that error appears in the above-identified patent and that said Letters Patent is hereby corrected as shown below:

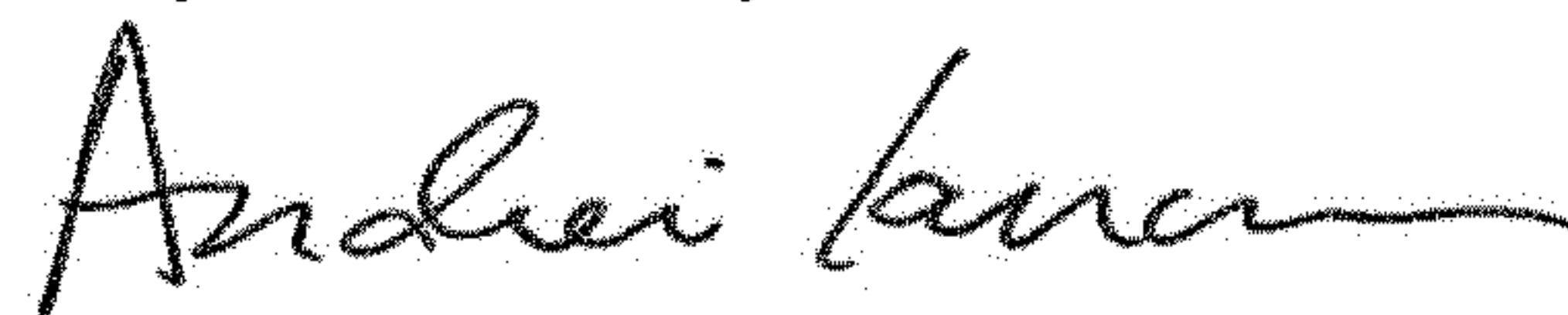
On the Title Page

Please include the following Foreign Application Priority Data:

--(30) **Foreign Application Priority Data**

Feb. 14, 2018 (KR) 30-2018-0008164--.

Signed and Sealed this
Twenty-fourth Day of November, 2020



Andrei Iancu
Director of the United States Patent and Trademark Office