



US00D880541S

(12) **United States Design Patent** (10) **Patent No.:** **US D880,541 S**  
**Murphy** (45) **Date of Patent:** **\*\* Apr. 7, 2020**

(54) **CLEAR ICE MAKER**  
(71) Applicant: **Thomas B. Murphy**, Arlington, TX  
(US)  
(72) Inventor: **Thomas B. Murphy**, Arlington, TX  
(US)

D759,734 S \* 6/2016 Lee ..... D15/89  
D800,800 S \* 10/2017 Park ..... D15/89  
D800,801 S \* 10/2017 Park ..... D15/89  
9,784,492 B2 10/2017 Little et al.  
D847,878 S \* 5/2019 Cullen ..... D15/89  
D857,765 S \* 8/2019 Kim ..... D15/89  
D868,850 S \* 12/2019 Lee ..... D15/89

(\*\*) Term: **15 Years**

(21) Appl. No.: **29/674,239**

(22) Filed: **Dec. 20, 2018**

(51) **LOC (12) Cl.** ..... **15-07**

(52) **U.S. Cl.**  
USPC ..... **D15/89**

(58) **Field of Classification Search**  
USPC ..... D15/79-91  
CPC .. F25D 11/00; F25D 17/065; F25D 2325/022;  
F25D 23/069; F25D 25/025; F25D 11/02;  
F25D 17/062; F25D 21/12; F25D 21/125;  
F25D 21/14; F25D 2317/061; F25D  
2317/067; F25D 2323/021; F25D  
2323/024; F25D 23/028; F25D 23/04;  
F25D 23/066; F25D 23/085; F25D  
23/087; F25D 23/126; F25D 2400/02;  
F25D 2400/06; F25D 2400/361; F25D  
2400/40; F25D 25/005; F25D 25/02;  
F25D 2600/02; F25D 2700/02; F25D  
2700/12; F25D 2700/121; F25D 2700/14;  
F25D 29/00  
See application file for complete search history.

(56) **References Cited**

**U.S. PATENT DOCUMENTS**

5,364,063 A 11/1994 Nishimura et al.  
9,272,444 B2 3/2016 Zorovich et al.

**OTHER PUBLICATIONS**

Currie, Donna, "Gadgets: Polar Ice Tray," Serious Eats web site, Dec. 31, 2012.

Wintersmiths, "Ice Baller Double instructions," Dec. 31, 2016.

\* cited by examiner

*Primary Examiner* — Khawaja Anwar

(74) *Attorney, Agent, or Firm* — Daniel V. Thompson

(57) **CLAIM**

The ornamental design for a clear ice maker, as shown and described.

**DESCRIPTION**

FIG. 1 is a top-facing perspective view of the clear ice maker showing my new design;

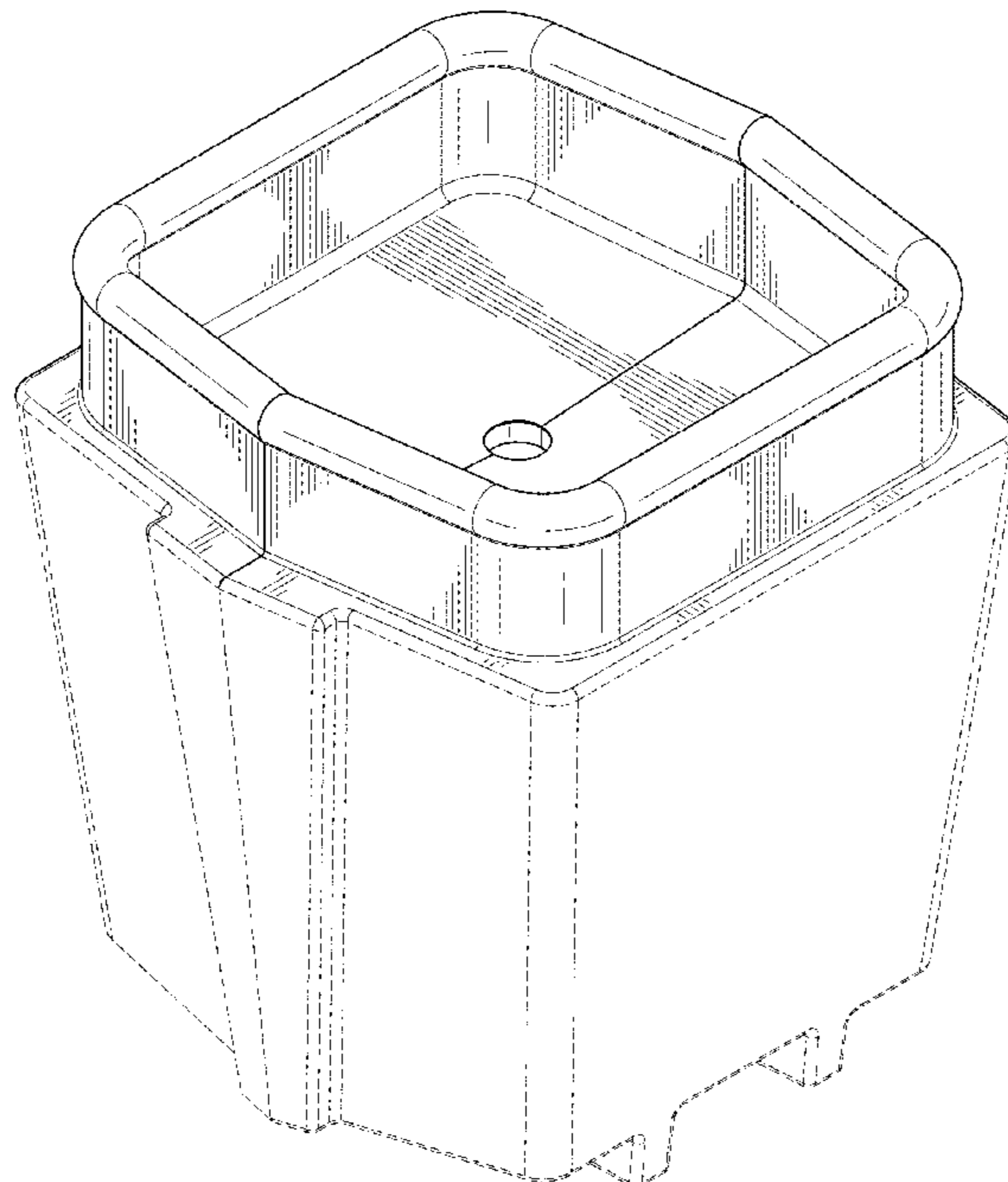
FIG. 2 is a front elevational view thereof, the rear elevational view being identical thereto;

FIG. 3 is a right-side elevational view thereof, the left-side elevational view being identical thereto; and,

FIG. 4 is a top plan view thereof.

The bottom portion of the clear ice maker is shown in broken lines for illustrative purposes only and forms no part of the claimed design.

**1 Claim, 4 Drawing Sheets**



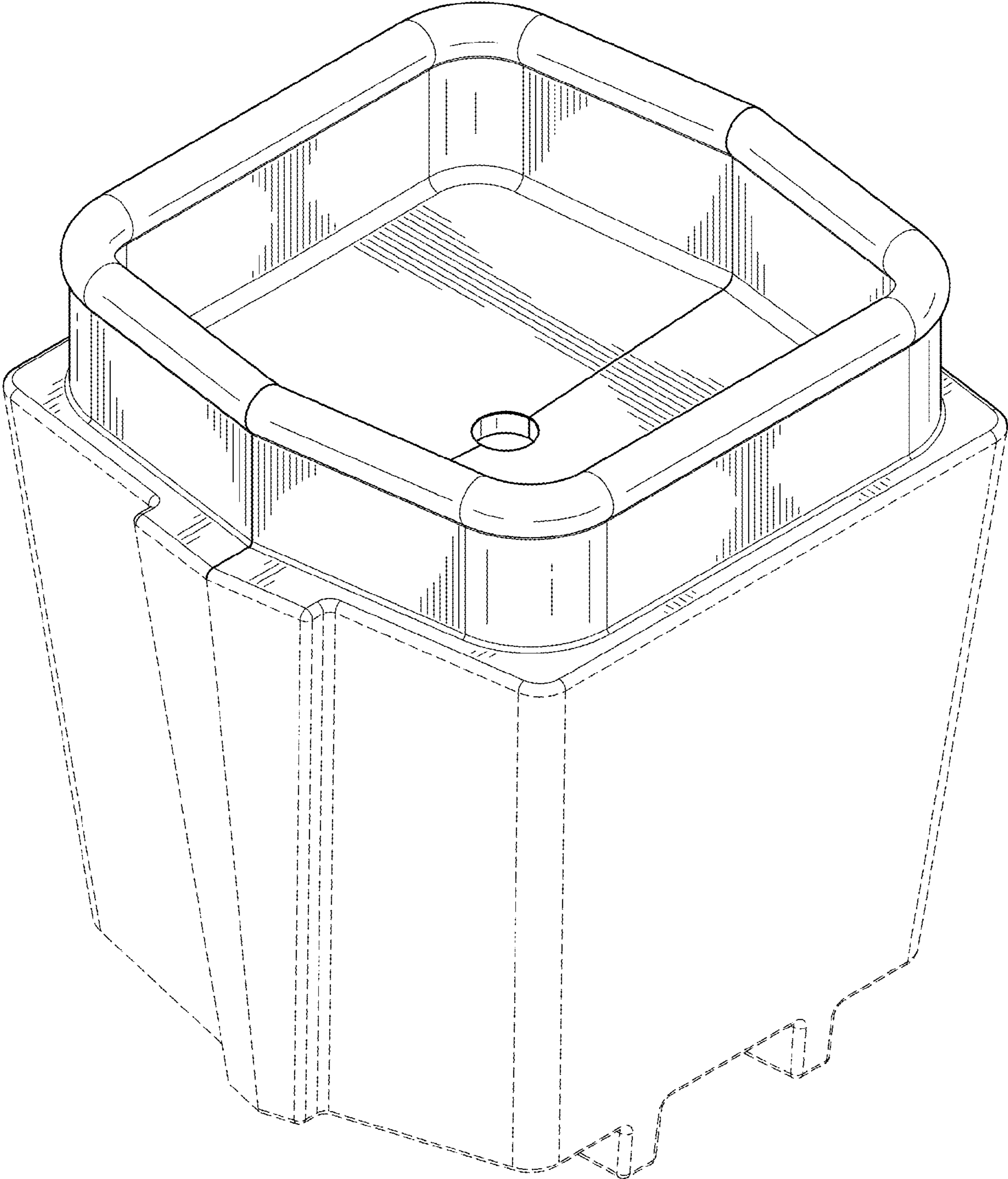


FIG. 1

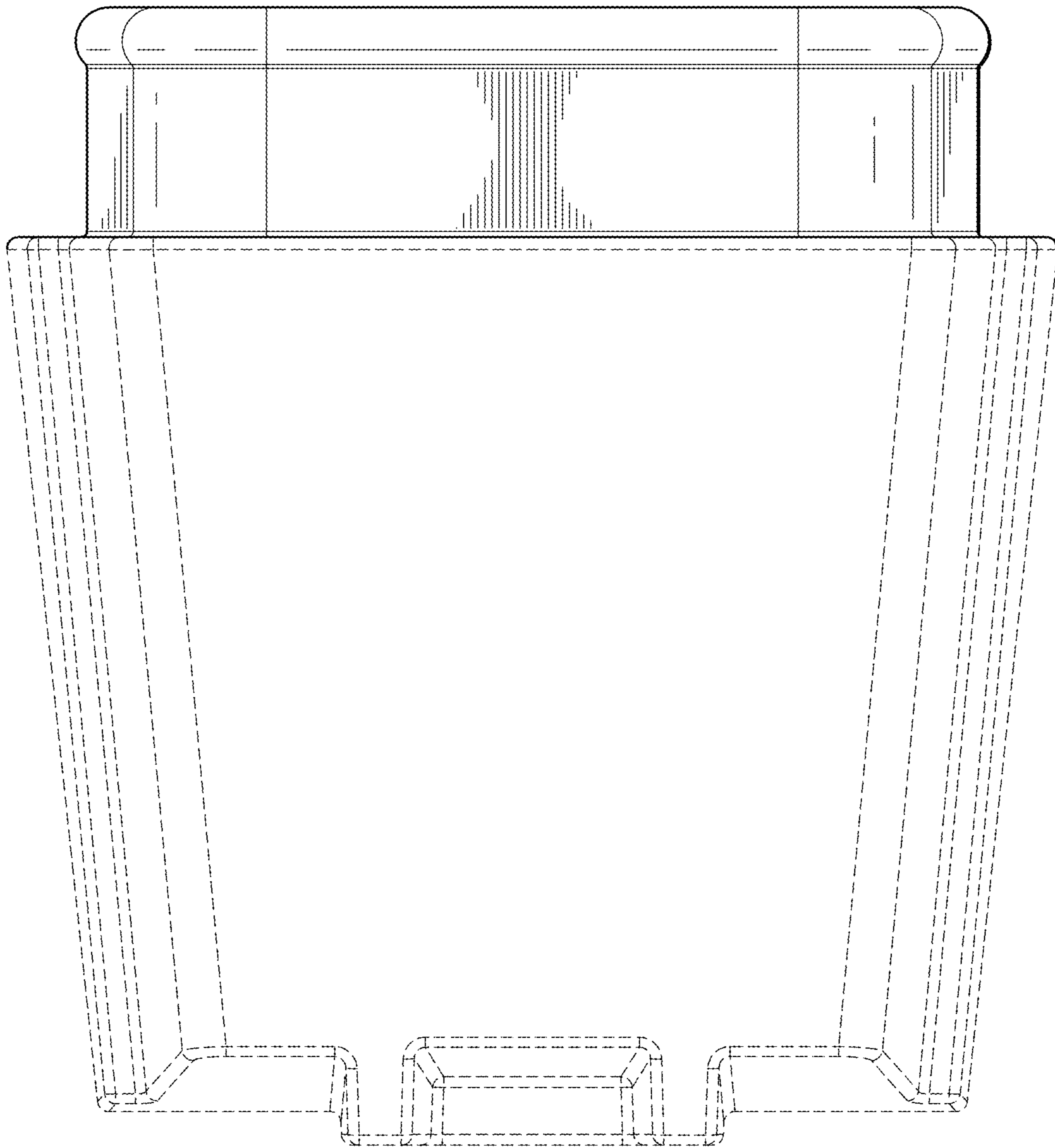


FIG. 2

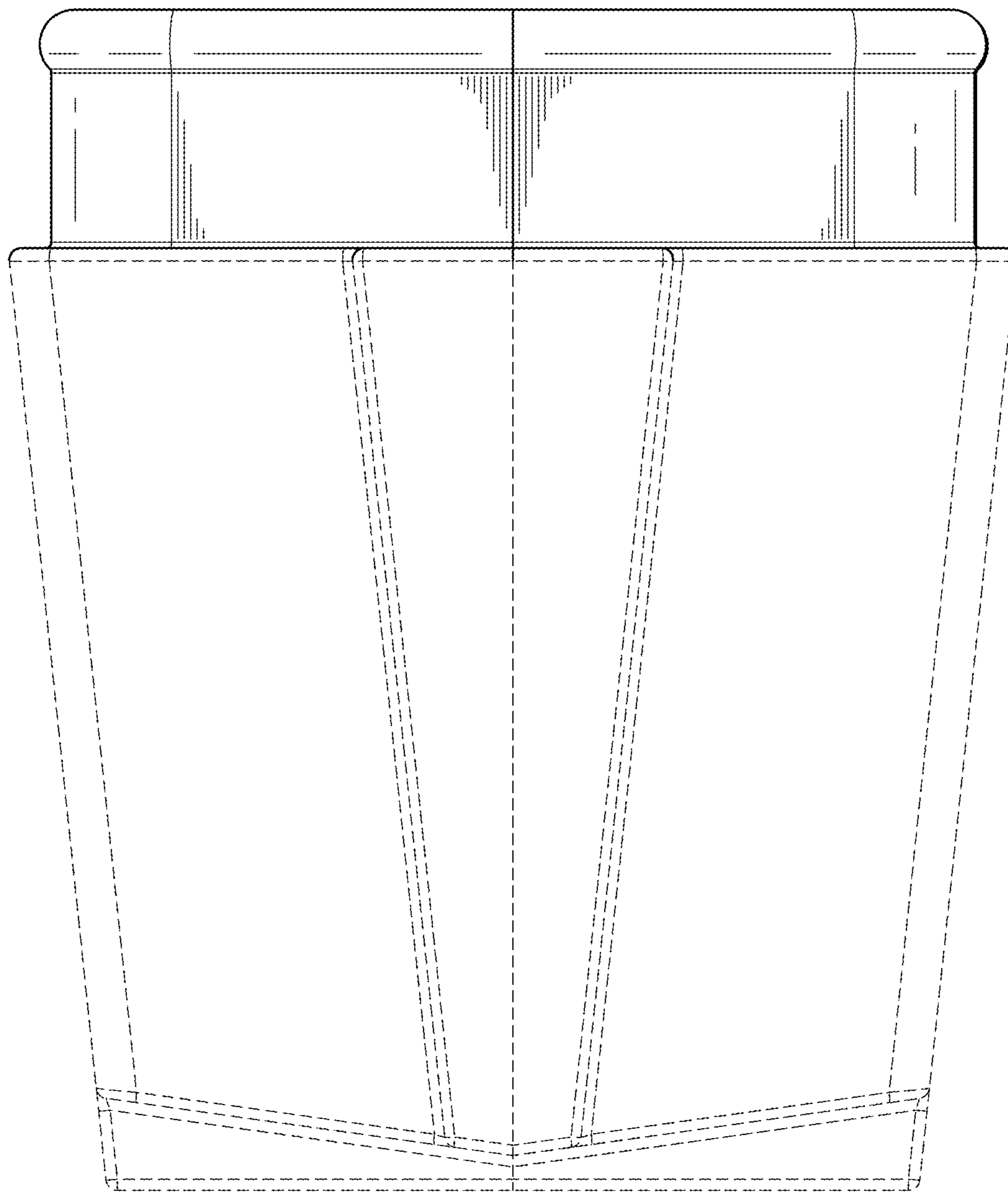


FIG. 3

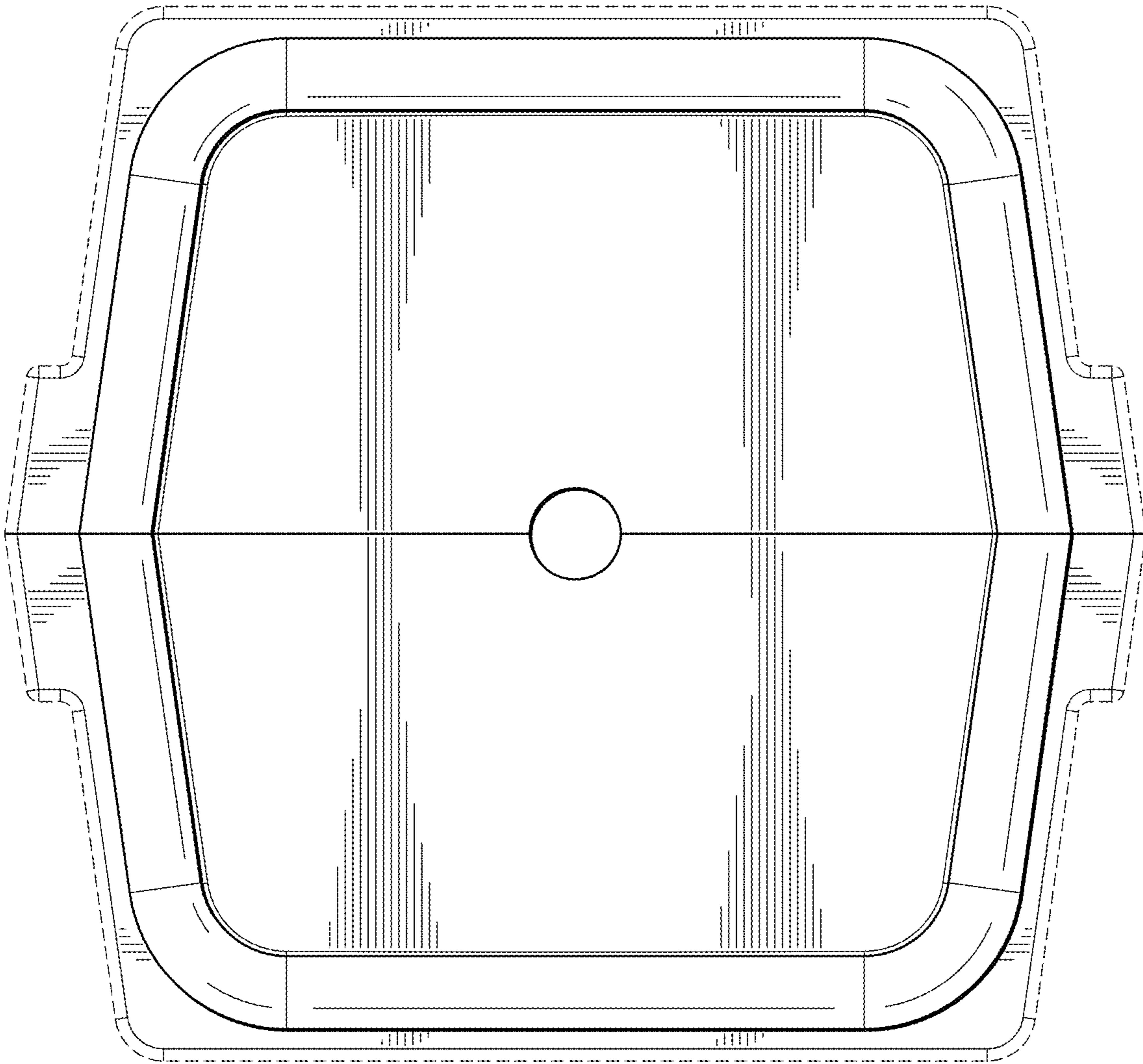


FIG. 4