



US00D880540S

(12) **United States Design Patent** (10) **Patent No.:** **US D880,540 S**
Xie et al. (45) **Date of Patent:** **** Apr. 7, 2020**

(54) **CAR REFRIGERATOR**
(71) Applicant: **GUANGDONG INDELB ENTERPRISE CO., LTD**, Zhongshan, Guangdong (CN)
(72) Inventors: **Yu Xie**, Guangdong (CN); **Yong Zhang**, Guangdong (CN)
(73) Assignee: **GUANGDONG INDELB ENTERPRISE CO., LTD**, Zhongshan (CN)

D478,102 S * 8/2003 Utsugi D15/83
D516,099 S * 2/2006 Maruyama D15/83
D521,029 S * 5/2006 Resch D15/83
D530,346 S * 10/2006 Resch D15/83
D558,239 S * 12/2007 Takemoto D15/79
D829,244 S * 9/2018 Sullivan D15/79
D830,429 S * 10/2018 Brown D15/79
D855,667 S * 8/2019 Shu D15/79

* cited by examiner

Primary Examiner — Khawaja Anwar
(74) *Attorney, Agent, or Firm* — Wayne & Ken, LLC; Tony Hom

(**) Term: **15 Years**
(21) Appl. No.: **29/656,151**
(22) Filed: **Jul. 10, 2018**
(51) **LOC (12) Cl.** **15-07**
(52) **U.S. Cl.**
USPC **D15/83**
(58) **Field of Classification Search**
USPC D15/79-91
CPC .. F25C 5/002; F25C 5/005; F25C 5/12; F25C 1/04; F25C 2500/02; F25C 2500/08; F25C 2700/02; F25C 5/02; F25C 5/046; F25C 5/187
See application file for complete search history.

(57) **CLAIM**

The ornamental design for a car refrigerator, shown and described.

DESCRIPTION

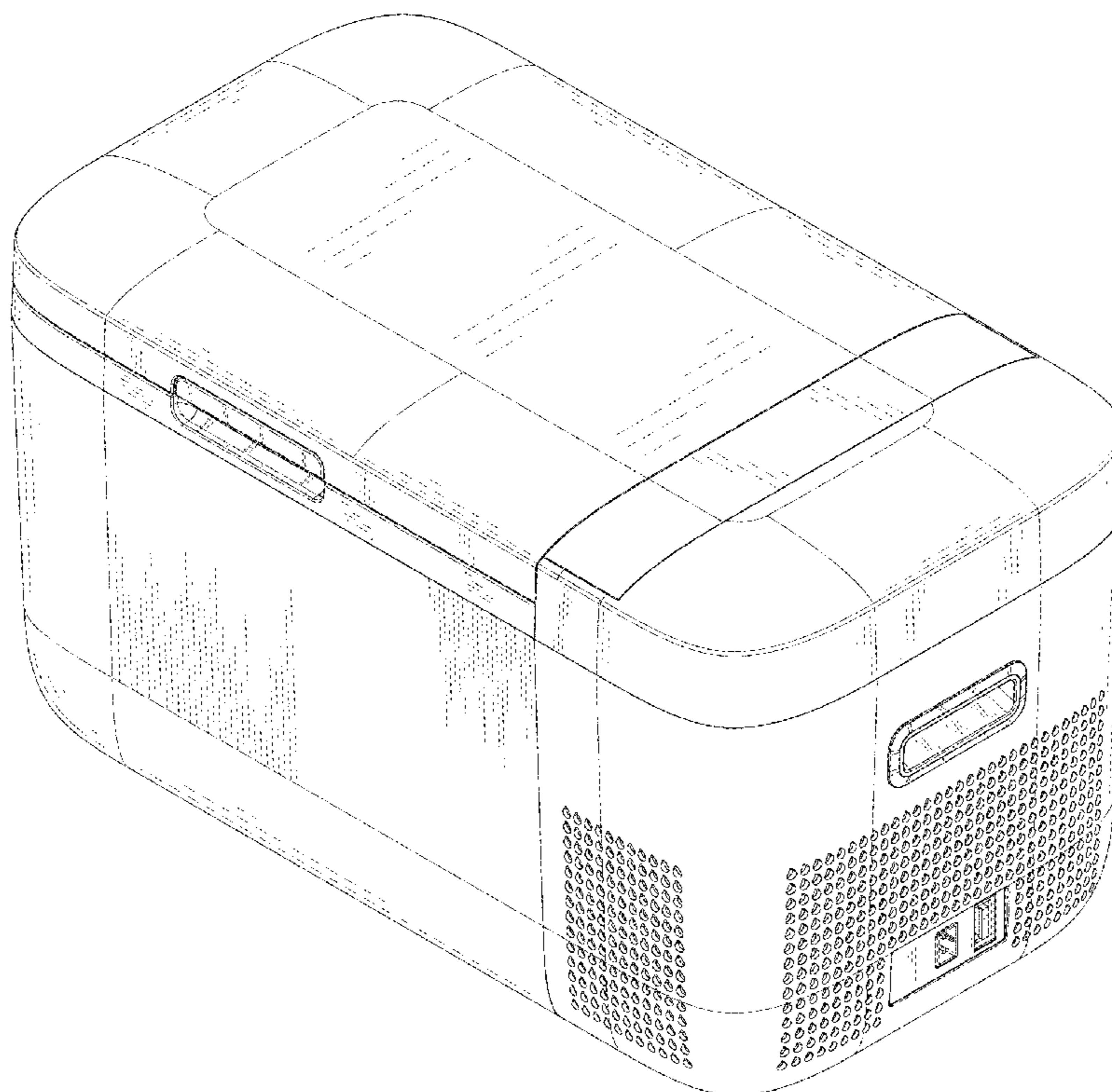
FIG. 1 is a perspective view of a car refrigerator showing our new design;
FIG. 2 is another perspective view thereof;
FIG. 3 is a front elevation view thereof;
FIG. 4 is a back elevation view thereof;
FIG. 5 is a left side view thereof;
FIG. 6 is a right side view thereof;
FIG. 7 is a top plan view thereof; and,
FIG. 8 is a bottom plan view thereof.
The broken lines in the drawing depict environmental subject matter only and form no part of the claimed design.

(56) **References Cited**

U.S. PATENT DOCUMENTS

D320,606 S * 10/1991 Fritsch D15/83
D328,689 S * 8/1992 Riskowski D15/83

1 Claim, 8 Drawing Sheets



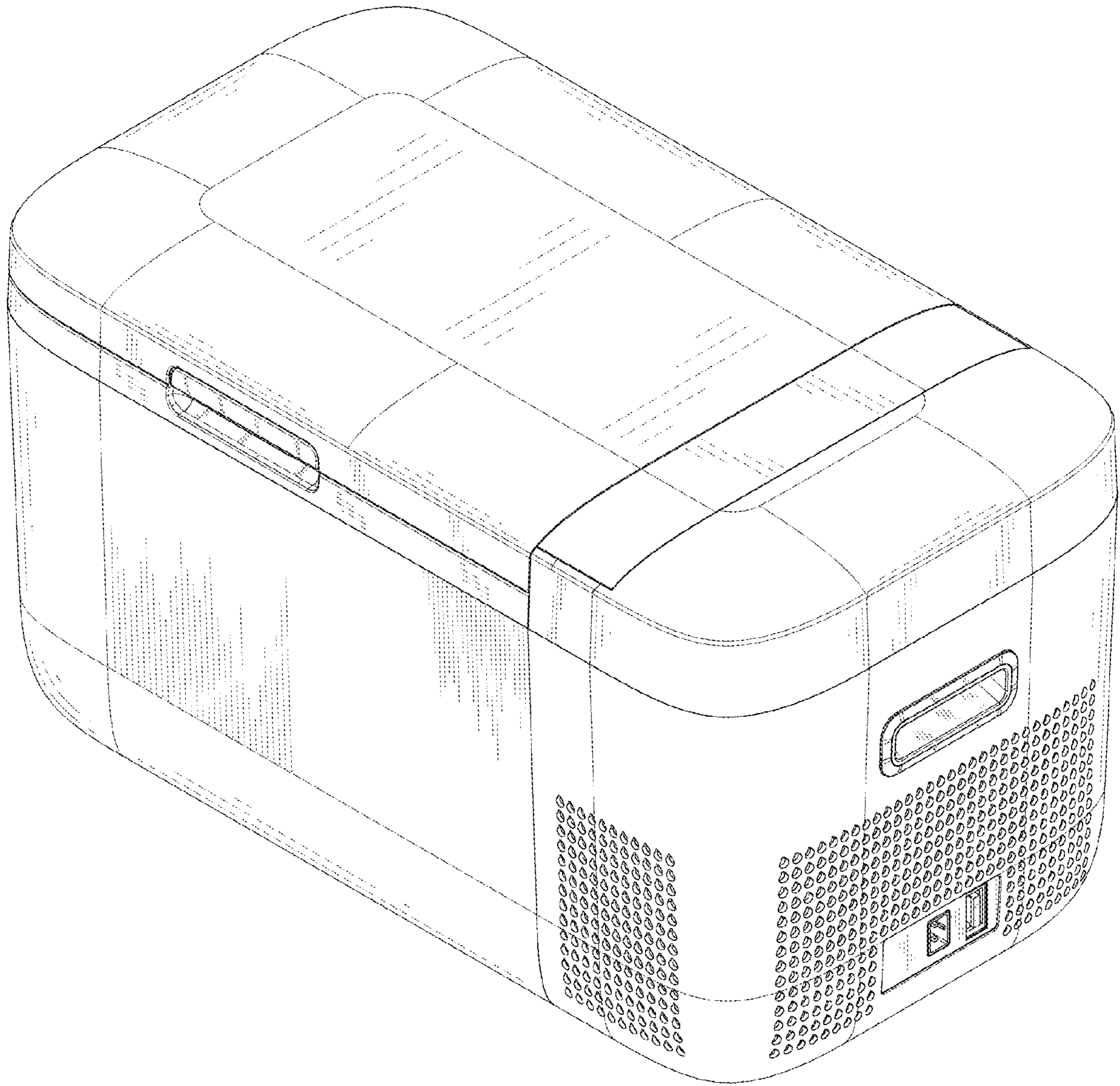


FIG. 1

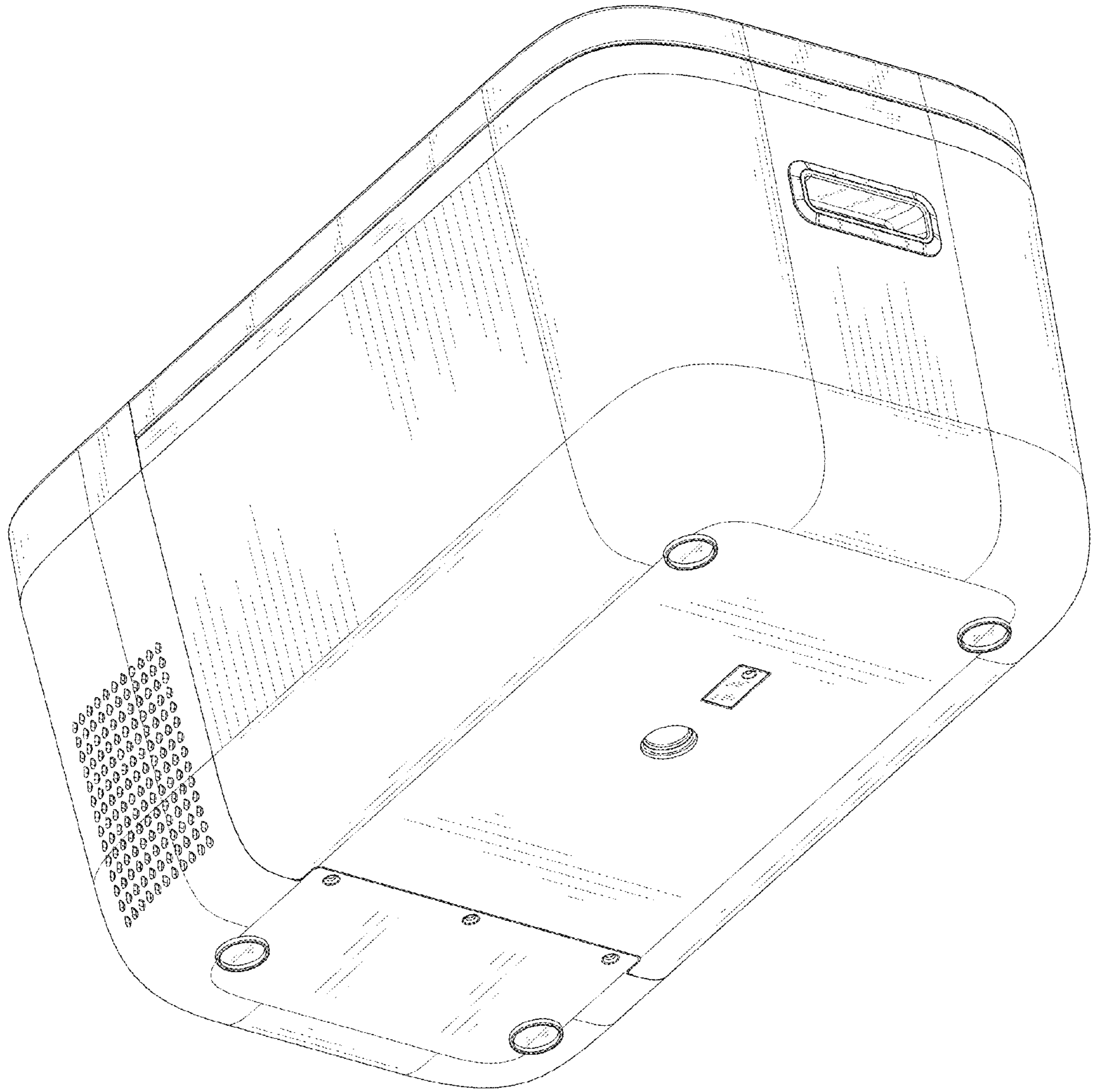


FIG.2

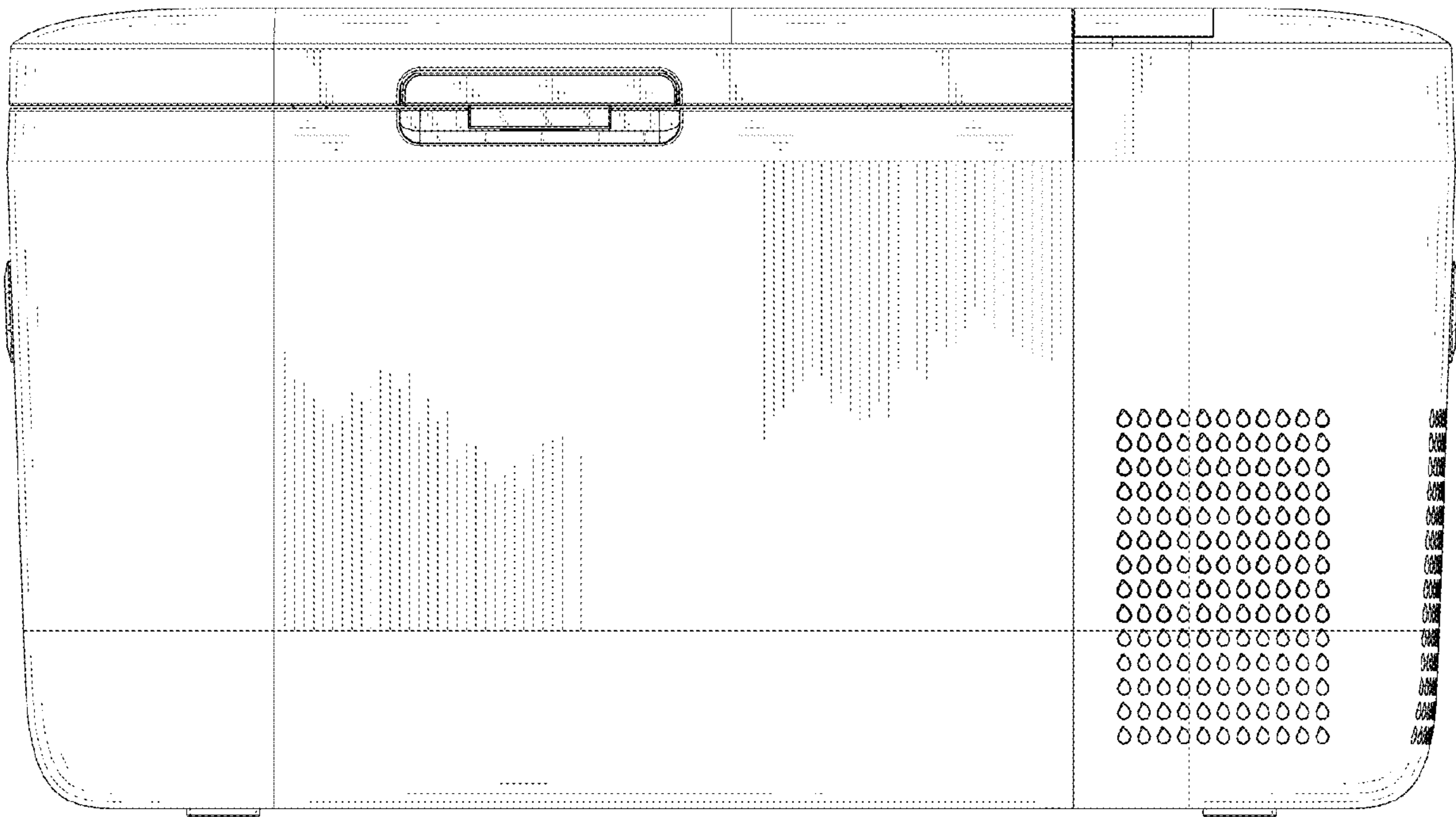


FIG.3

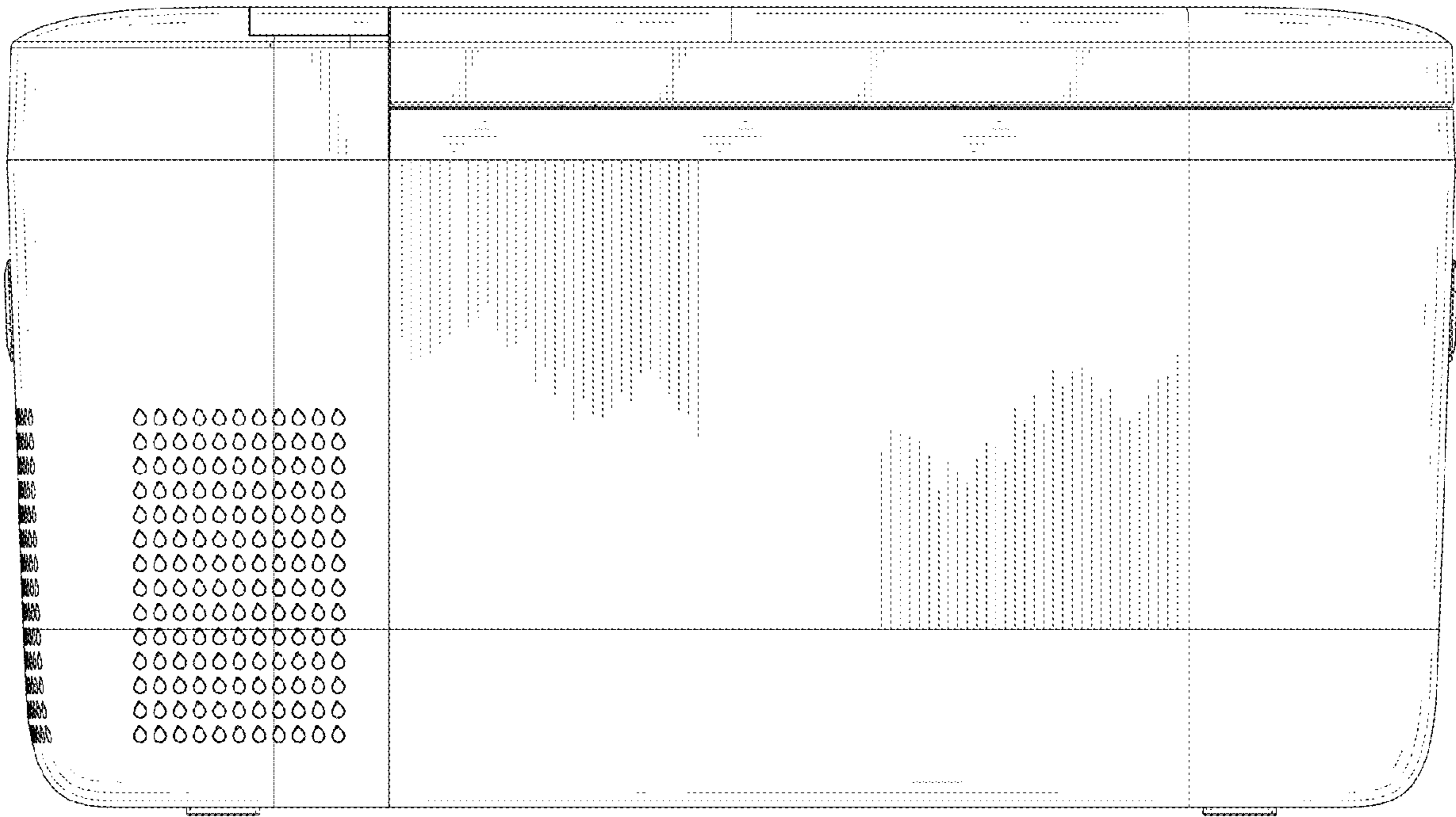


FIG.4

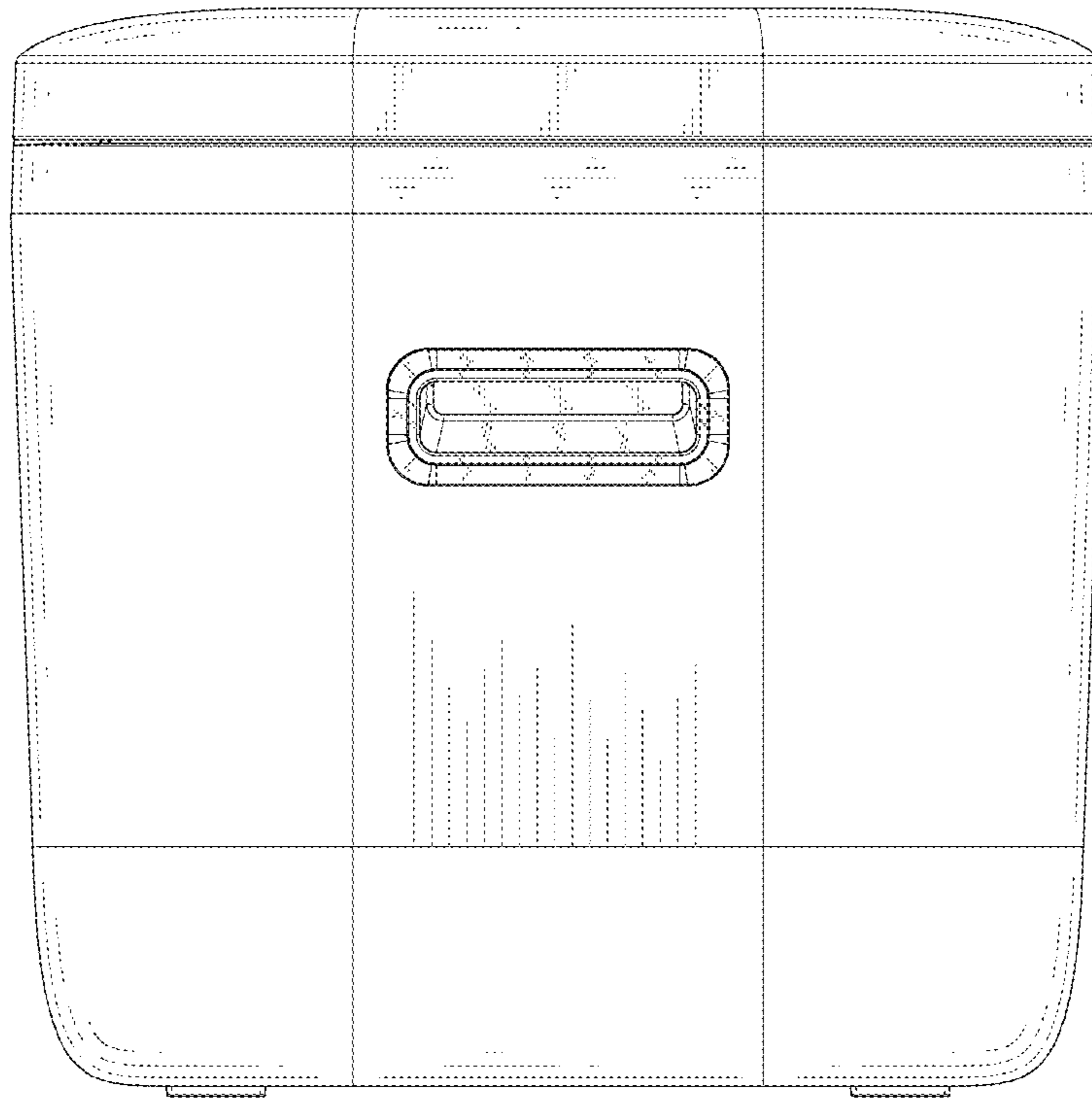


FIG.5

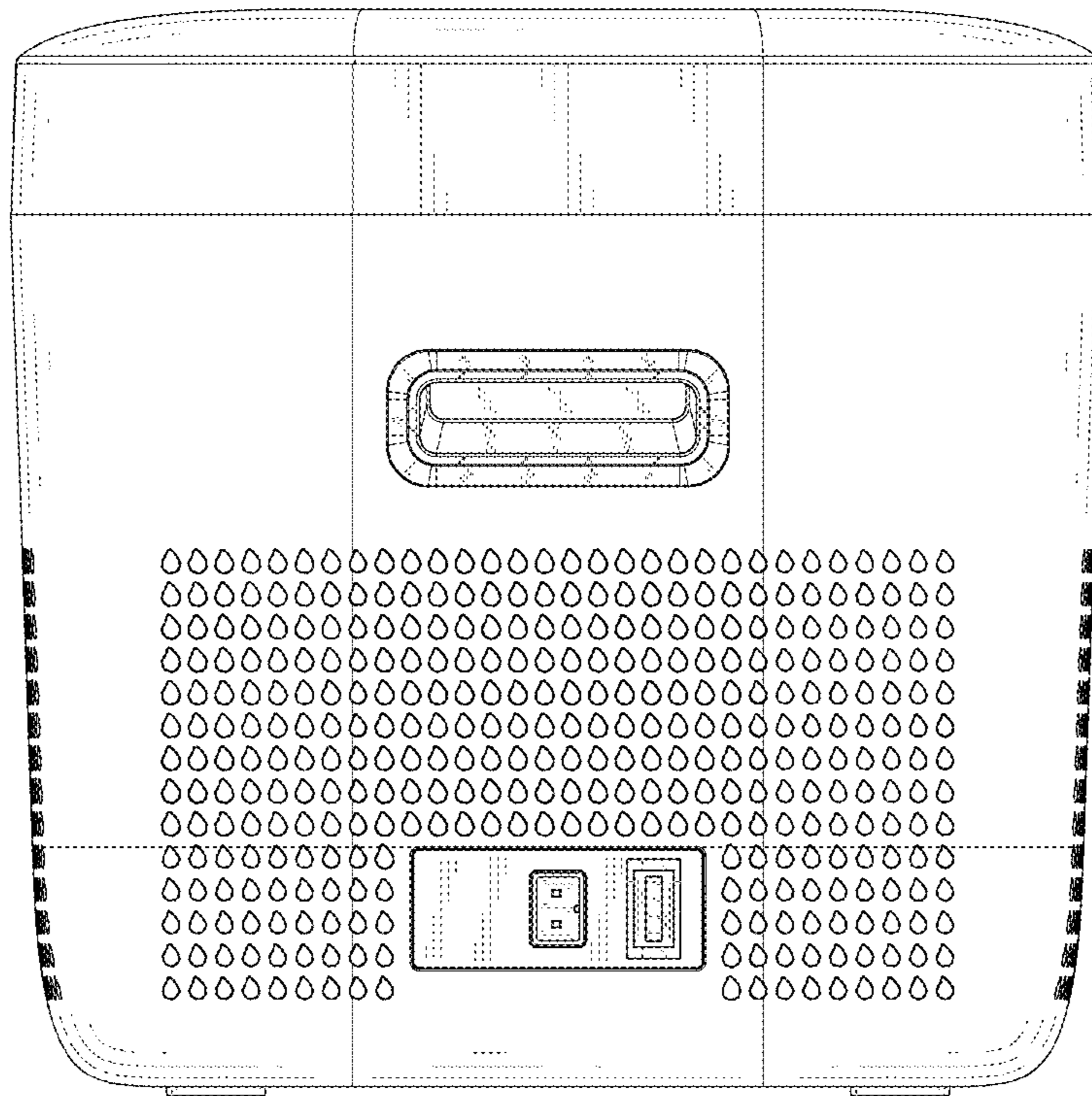


FIG.6

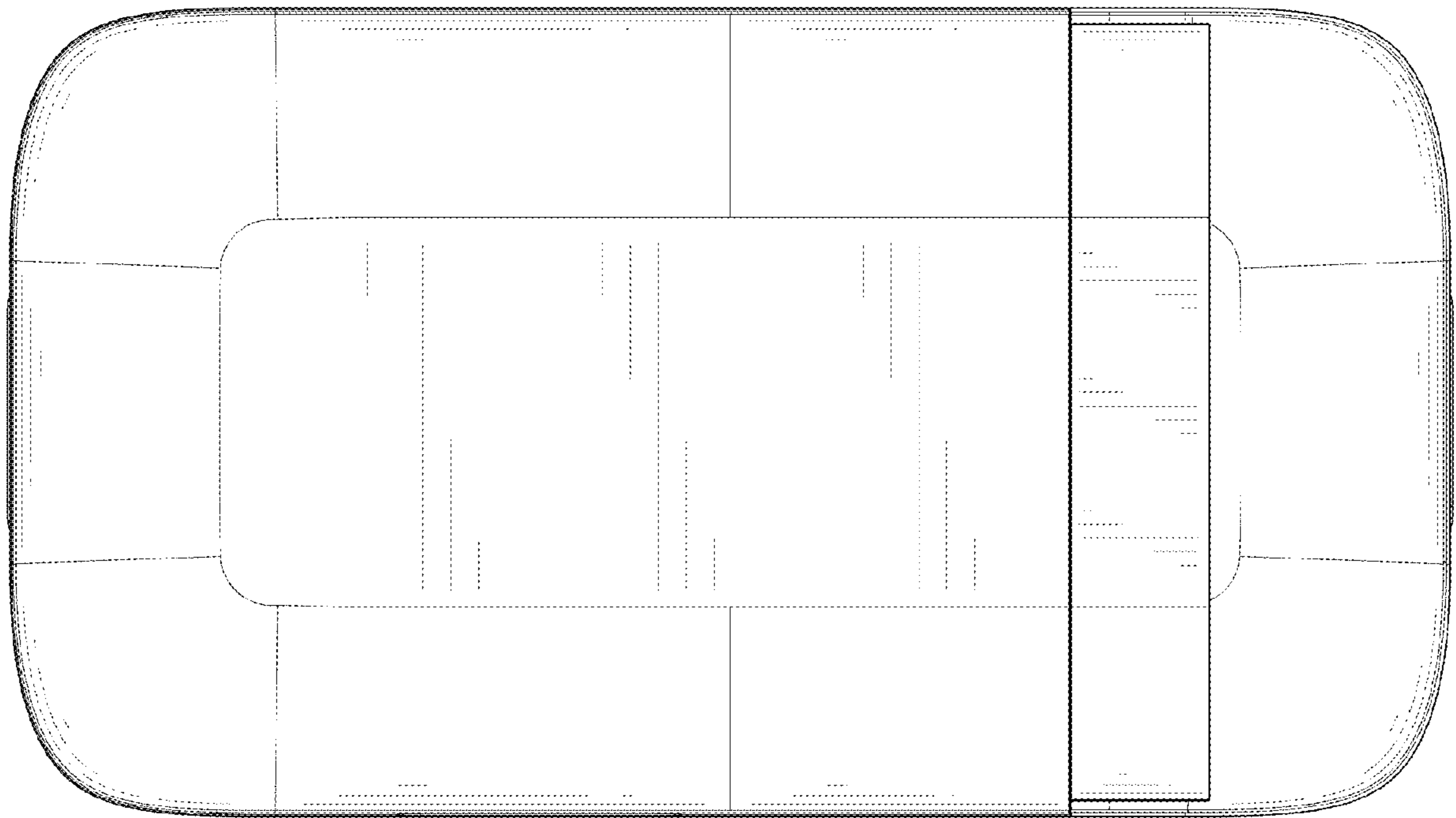


FIG. 7

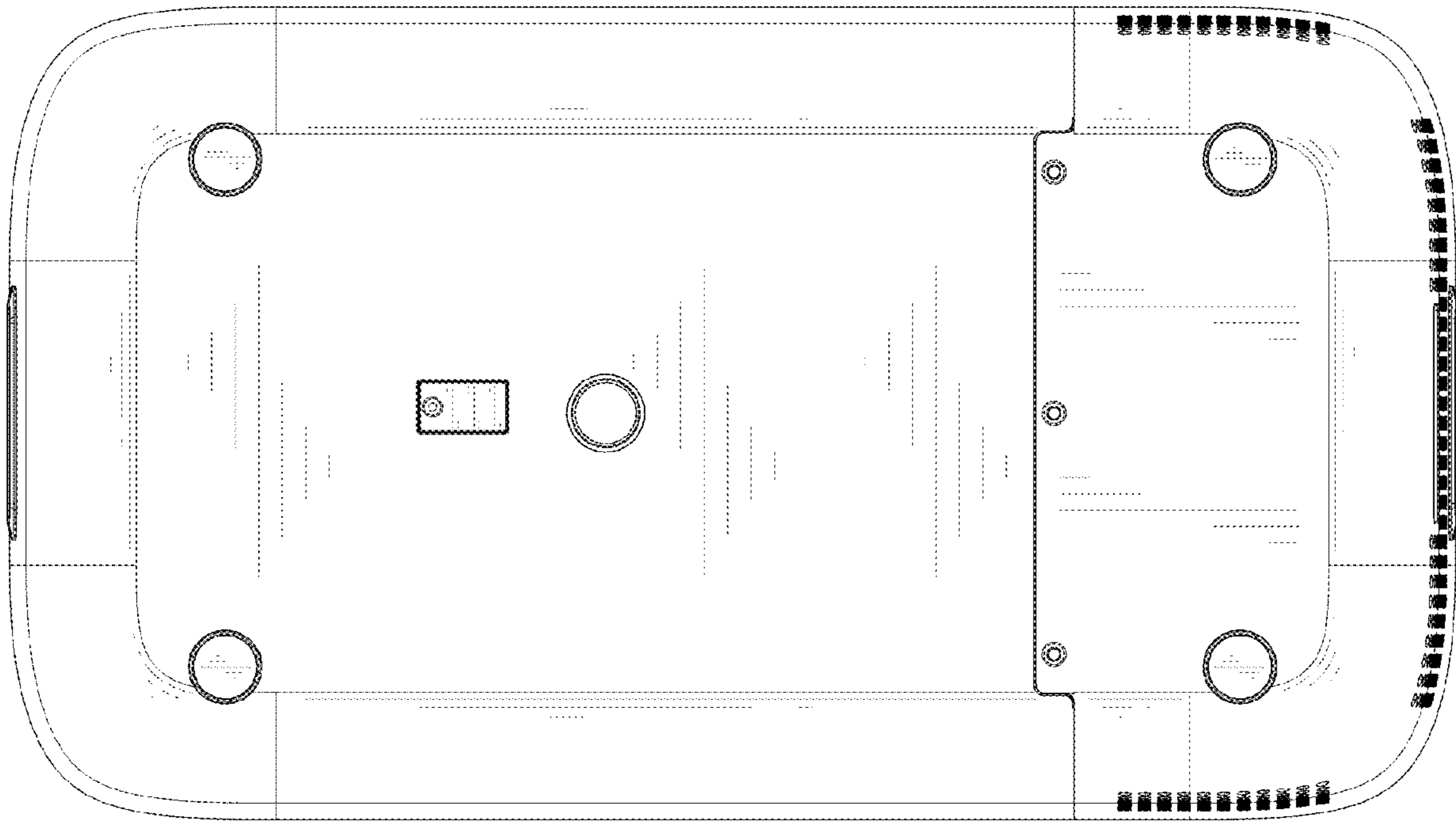


FIG.8