



US00D880539S

(12) **United States Design Patent**
Depoorter et al.

(10) **Patent No.:** **US D880,539 S**

(45) **Date of Patent:** **** Apr. 7, 2020**

(54) **SHIELDING FOR A FORAGE HARVESTER**

(71) Applicant: **CNH Industrial America LLC**, New Holland, PA (US)

(72) Inventors: **Ben Depoorter**, Oudenburg (BE); **Nick R. M. Vanderstraeten**, Kruishoutem (BE)

(73) Assignee: **CNH Industrial America LLC**, New Holland, PA (US)

(**) Term: **15 Years**

(21) Appl. No.: **29/669,368**

(22) Filed: **Nov. 7, 2018**

(30) **Foreign Application Priority Data**

May 7, 2018 (EM) 005260585-0001

(51) **LOC (12) Cl.** **15-03**

(52) **U.S. Cl.**
USPC **D15/33**

(58) **Field of Classification Search**
USPC D15/10-12, 22-26, 28; 56/14.5-14.7, 56/16.6, 122-125; 296/190, 191; 460/83, 119; 180/89.1, 89.12
CPC A01B 73/00; A01D 75/00; A01D 41/06; A01D 41/1208; A01D 41/00; A01D 67/00; A01D 45/00; A01D 45/02; A01D 45/021; A01D 43/081

See application file for complete search history.

(56) **References Cited**

U.S. PATENT DOCUMENTS

D326,457 S * 5/1992 Pink D15/11
D399,851 S * 10/1998 Stauffer D15/10

D400,543 S * 11/1998 Benedict D15/10
5,924,270 A * 7/1999 Bruns A01D 75/20
56/119
D436,363 S * 1/2001 Strong D15/10
D460,461 S * 7/2002 Strong D15/10
D544,886 S * 6/2007 Pedracini D15/26
D568,342 S * 5/2008 Kleingraeber D15/26
D599,830 S * 9/2009 Jacobsthal D15/26
D639,826 S * 6/2011 Barreilmeyer D15/26
D723,071 S * 2/2015 Jacobsthal D15/33
D743,450 S * 11/2015 Claeys D15/33
D766,993 S * 9/2016 Jacobsthal D15/30
D797,813 S * 9/2017 Budde D15/26
D826,994 S * 8/2018 De Smet D15/26

* cited by examiner

Primary Examiner — Mark A Goodwin

(74) *Attorney, Agent, or Firm* — Peter K. Zacharias;
Patrick M. Sheldrake

(57) **CLAIM**

The ornamental design for shielding for a forage harvester, as shown and described.

DESCRIPTION

FIG. 1 is a top view of shielding for a forage harvester of the present design.

FIG. 2 is a right side view of the shielding of FIG. 1.

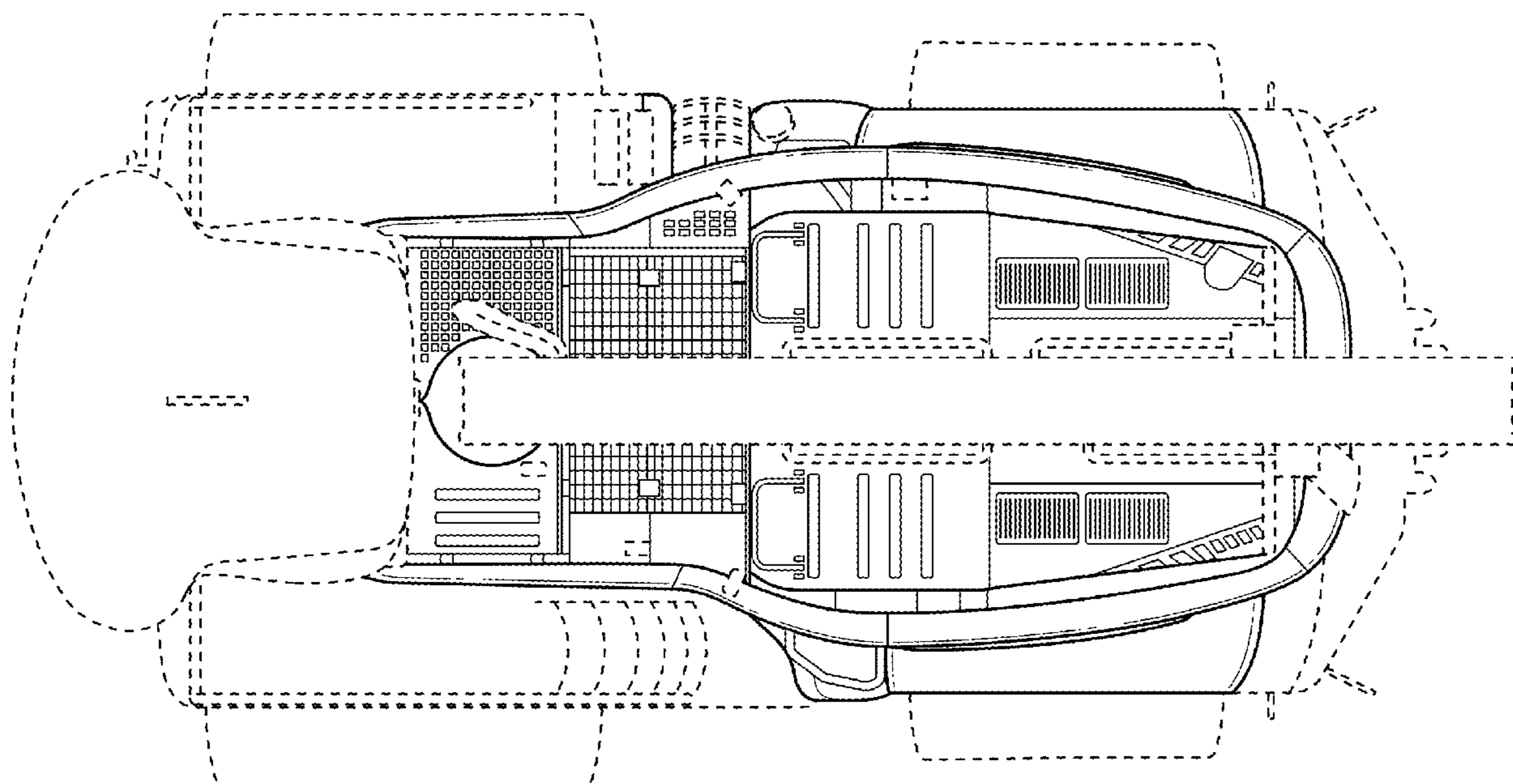
FIG. 3 is a left side view of the shielding of FIG. 1.

FIG. 4 is a front view of the shielding of FIG. 1; and,

FIG. 5 is a rear view of the shielding of FIG. 1.

The dashed lines shown in the figures represent environmental subject matter and form no part of the claimed design.

1 Claim, 5 Drawing Sheets



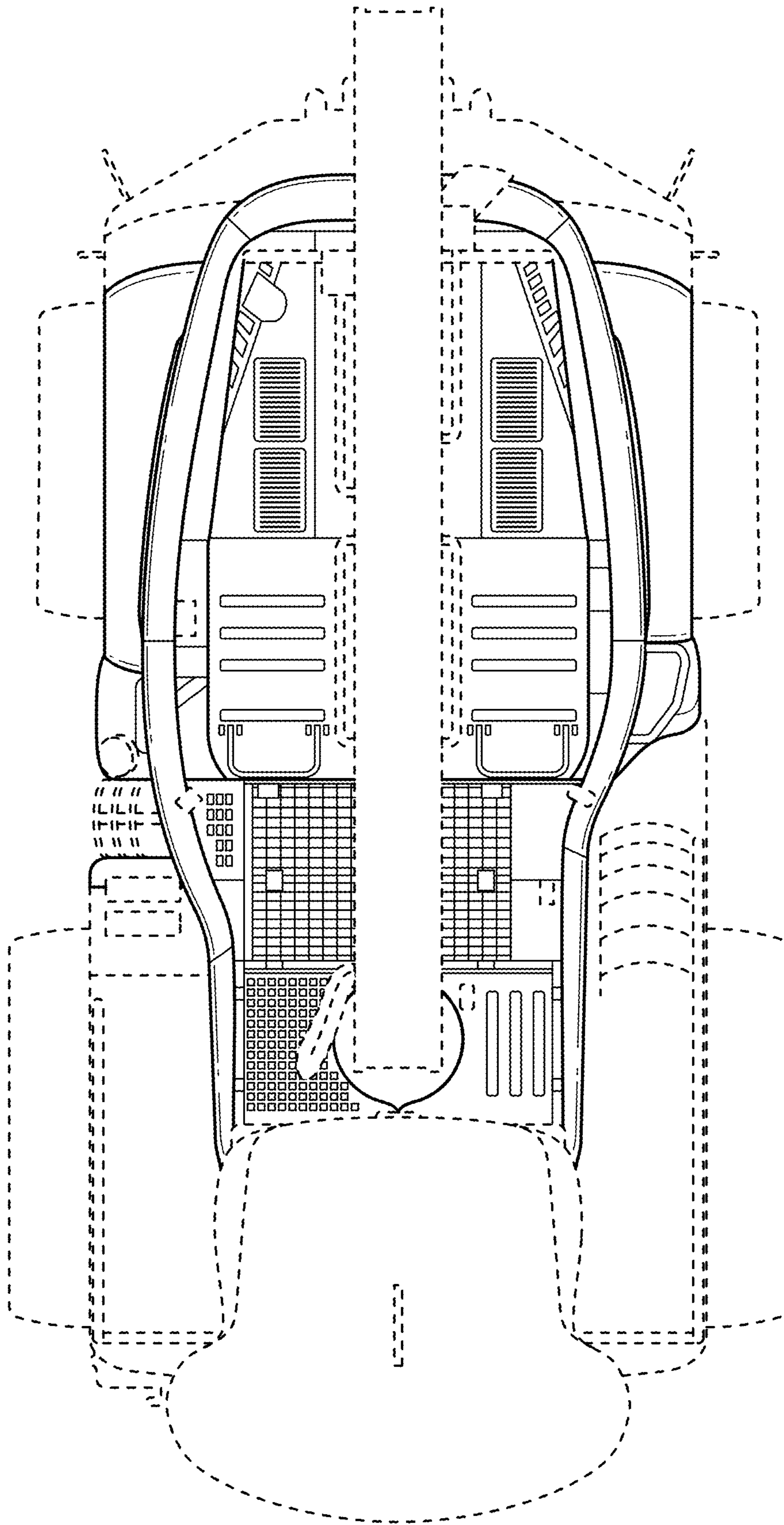


FIG. 1

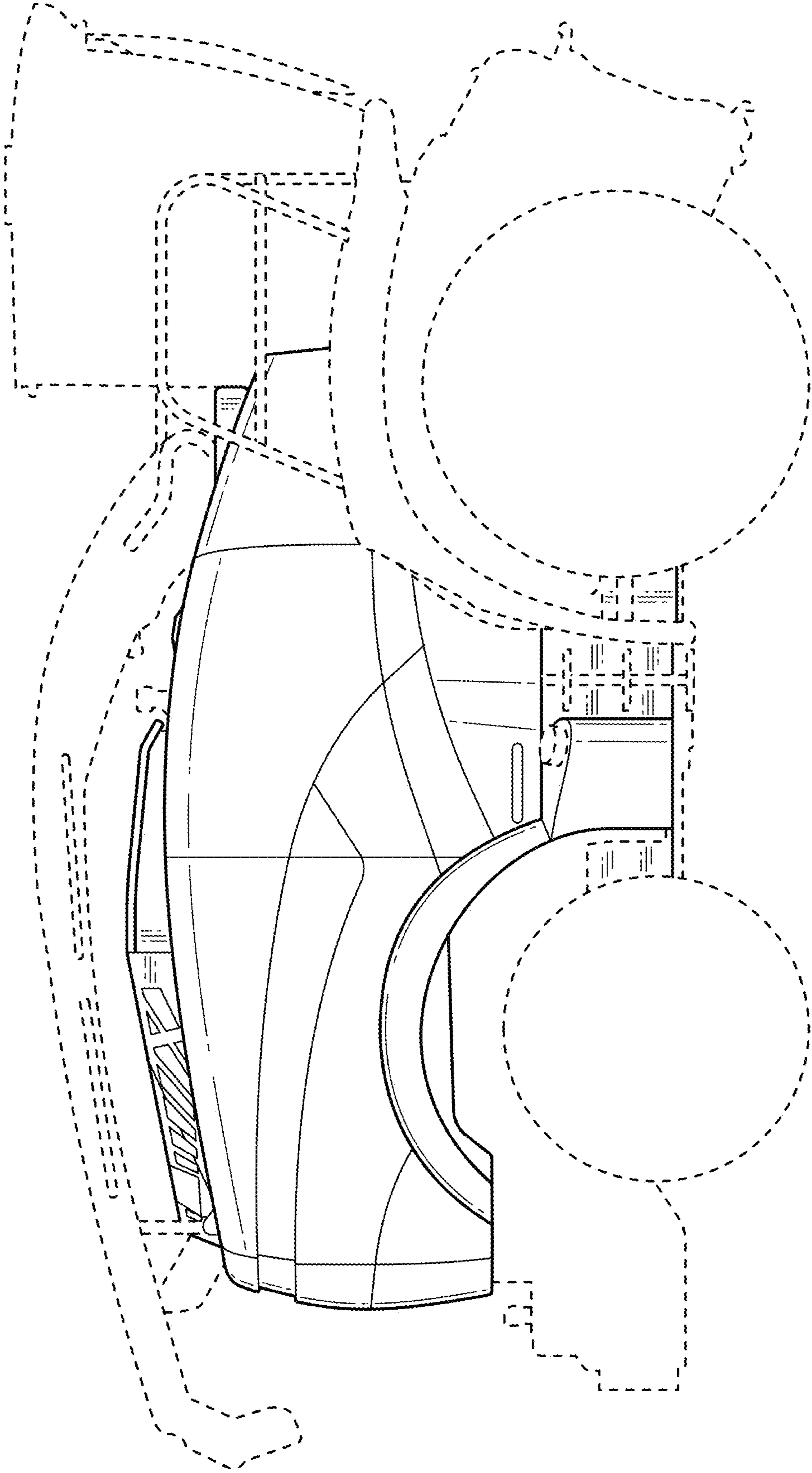


FIG. 2

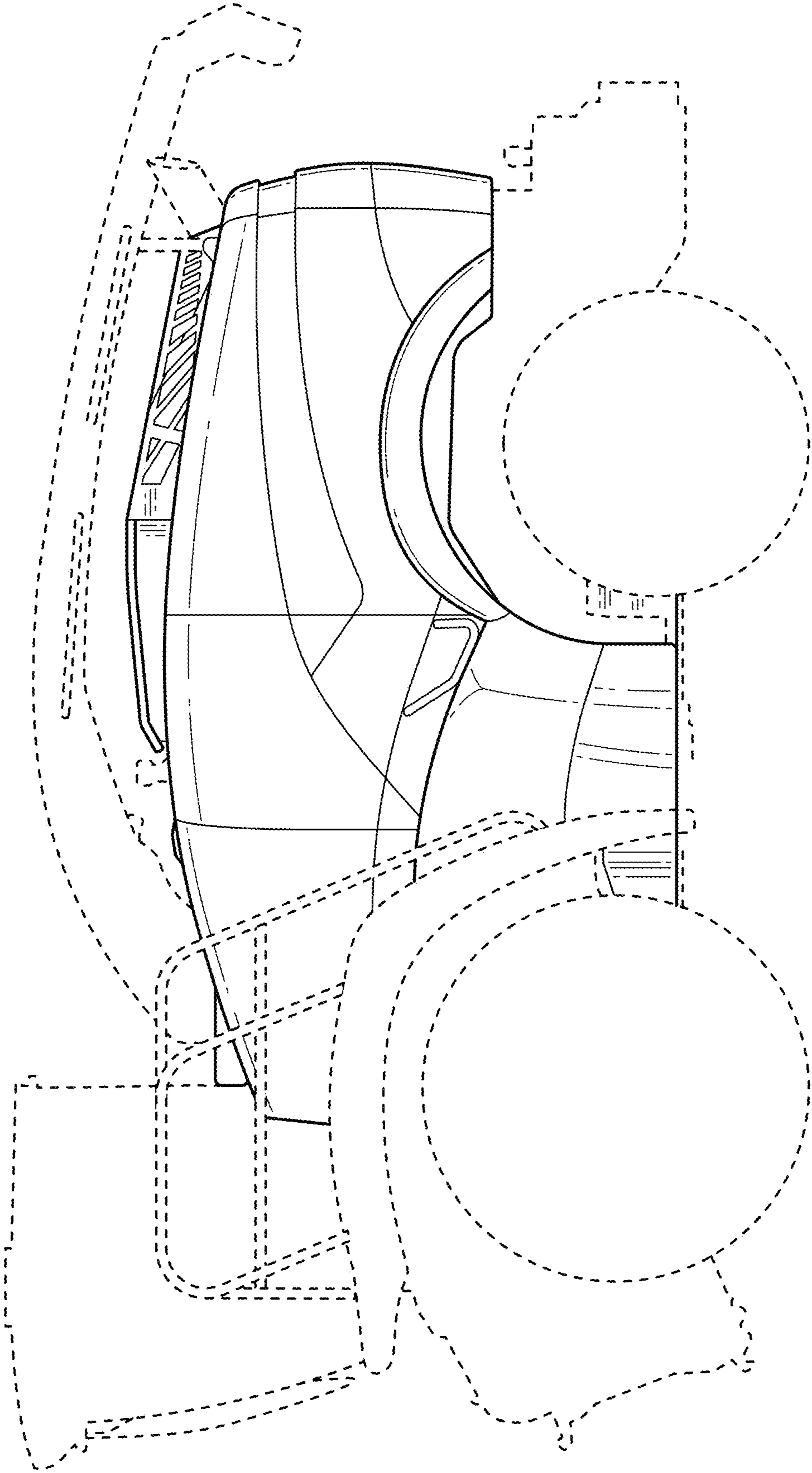


FIG. 3

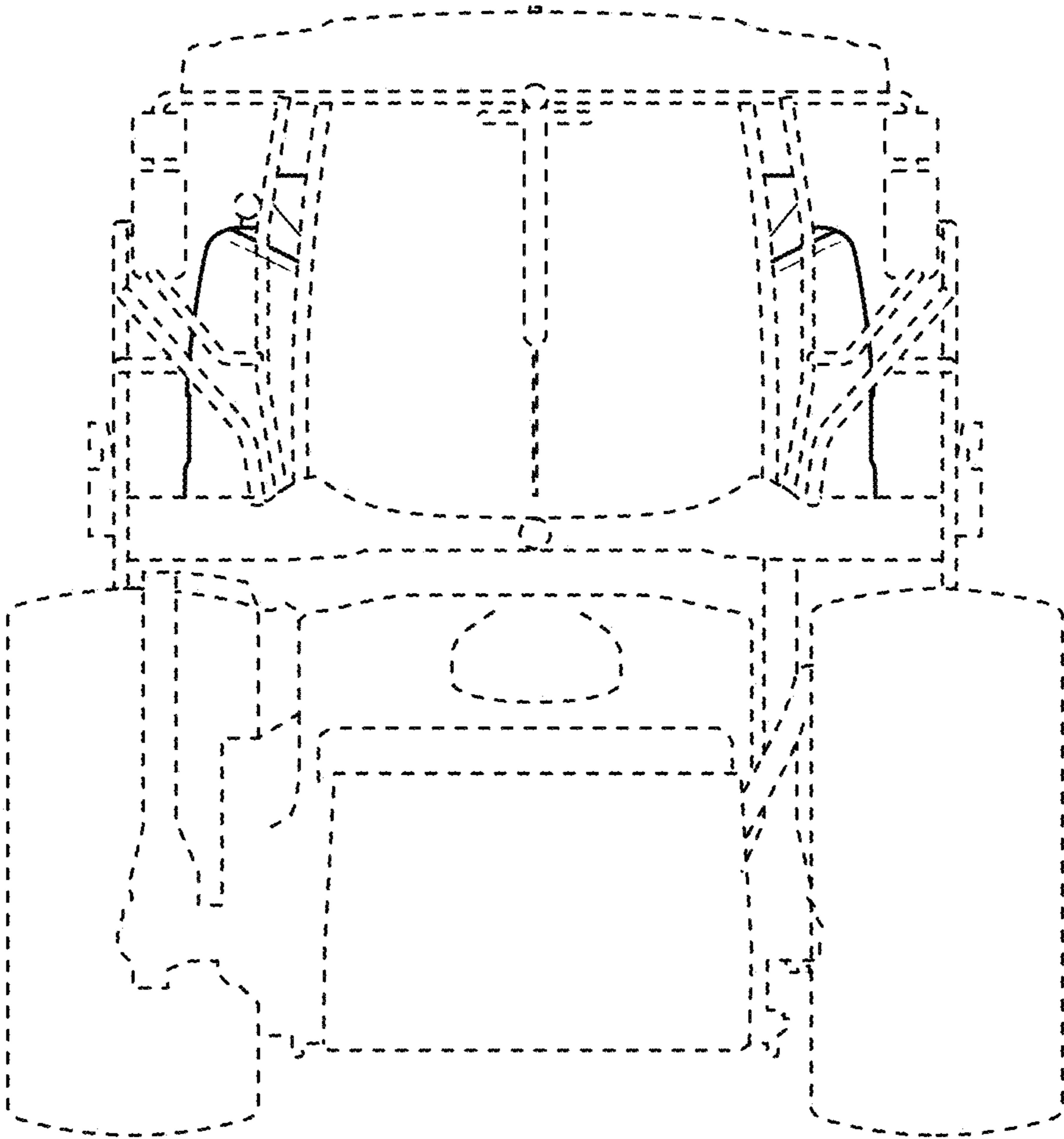


FIG. 4

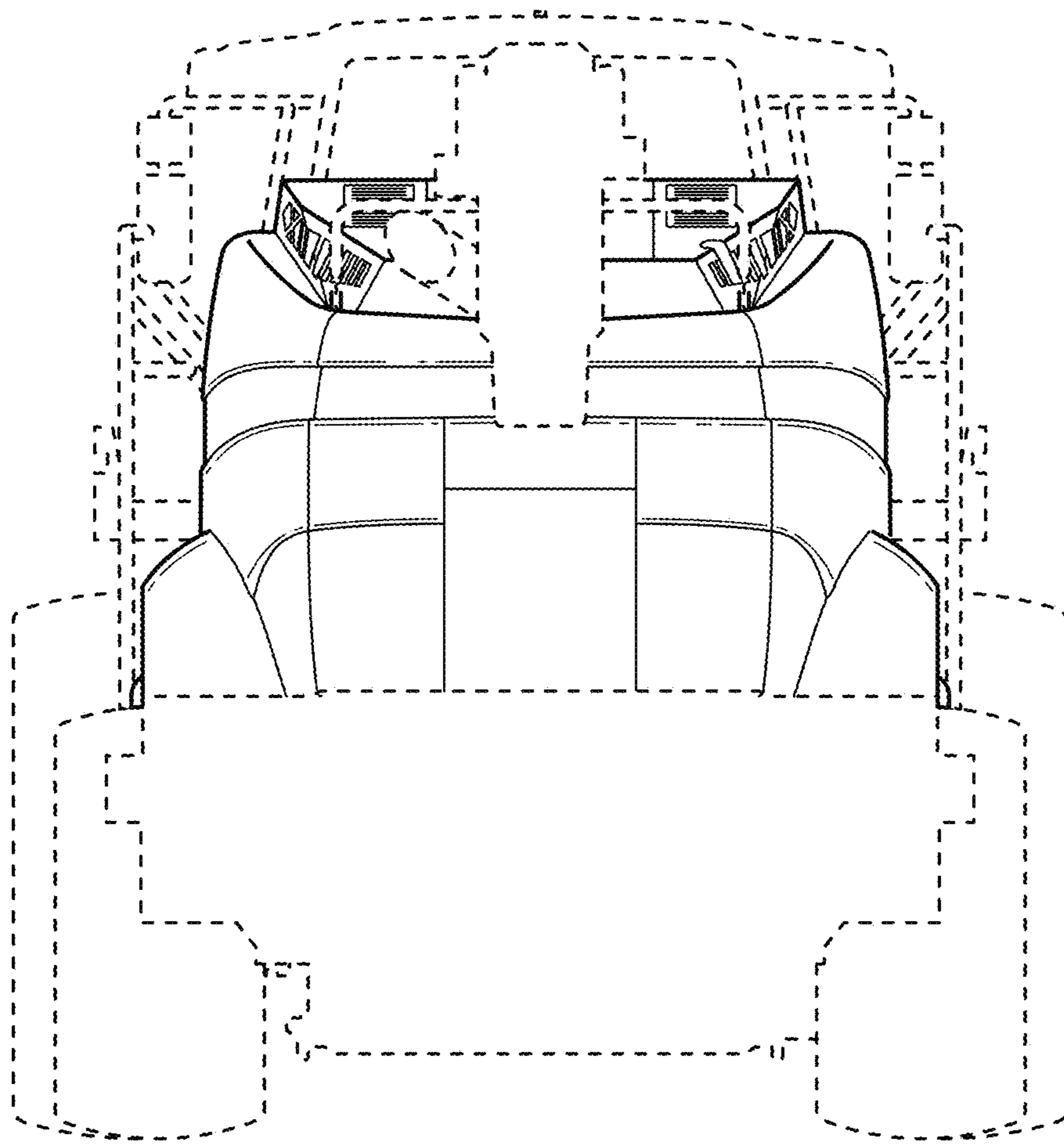


FIG. 5