

US00D880538S

(12) **United States Design Patent** (10) **Patent No.:** **US D880,538 S**
Schwalbe et al. (45) **Date of Patent:** **** Apr. 7, 2020**

(54) **ENGINE COMPARTMENT FOR AGRICULTURAL PRODUCT SPRAYER**

(71) Applicant: **CNH Industrial America LLC**, New Holland, PA (US)

(72) Inventors: **Blaine A. Schwalbe**, Valders, WI (US); **Nathan P. Brooks**, Manitowoc, WI (US); **Douglas Montgomery**, Downers Grove, IL (US); **Lawrence R. Borucki, Jr.**, Oostburg, WI (US); **Steven N. Winkel**, Kiel, WI (US); **Ross P. Christiansen**, Kiel, WI (US)

(73) Assignee: **CNH Industrial America LLC**, Hew Holland, PA (US)

(**) Term: **15 Years**

(21) Appl. No.: **29/625,544**

(22) Filed: **Nov. 10, 2017**

(51) **LOC (12) Cl.** **15-03**

(52) **U.S. Cl.**
USPC **D15/31**

(58) **Field of Classification Search**
USPC D15/10, 11, 13-17, 22-26, 28, 31;
D12/173; 56/13.3, 13.4, 15.8, 15.9,
56/320.1; 180/89.1, 89.12, 900, 69.2,
180/68.1, 69.1
CPC B62D 25/10; B62D 25/00;
B62D 49/00-085; B60R 19/52; B60R
21/38; B60K 13/02; B60K 11/08; B60K
11/04; F01P 11/10; F01P 5/06; F01P
2001/005; B60Y 2200/221
See application file for complete search history.

(56) **References Cited**

U.S. PATENT DOCUMENTS

D578,274 S * 10/2008 Tokach D15/31
D611,505 S * 3/2010 Loew D15/20

D611,506 S * 3/2010 Loew D15/20
D624,567 S * 9/2010 Kelley D15/30
D629,818 S * 12/2010 Rummer D15/31
D632,313 S * 2/2011 Kelley D15/30
D657,400 S * 4/2012 Loew D15/20
D670,746 S * 11/2012 Ewringmann D15/31
D676,466 S * 2/2013 Ewringmann D15/20
8,517,119 B2 * 8/2013 Pineda A01C 5/064
111/163
D708,233 S * 7/2014 Furuki D15/28
D715,333 S * 10/2014 Jacobsthal D15/31
D724,109 S * 3/2015 Haro D15/20
D751,611 S * 3/2016 Smith D15/31
D757,826 S * 5/2016 Hartz D15/31
D762,740 S * 8/2016 Okuyama D15/28
D766,339 S * 9/2016 Hanke D15/31
D784,426 S * 4/2017 Okuyama D15/31

(Continued)

Primary Examiner — Mark A Goodwin

(74) *Attorney, Agent, or Firm* — Rebecca L. Henkel;
Rickard K. DeMille

(57) **CLAIM**

The ornamental design for engine compartment for agricultural product sprayer, as shown and described.

DESCRIPTION

FIG. 1 is an isometric view of an engine compartment for agricultural product sprayer in accordance with the present invention;

FIG. 2 is a rear elevation view of FIG. 1;

FIG. 3 is first side elevation view of FIG. 1;

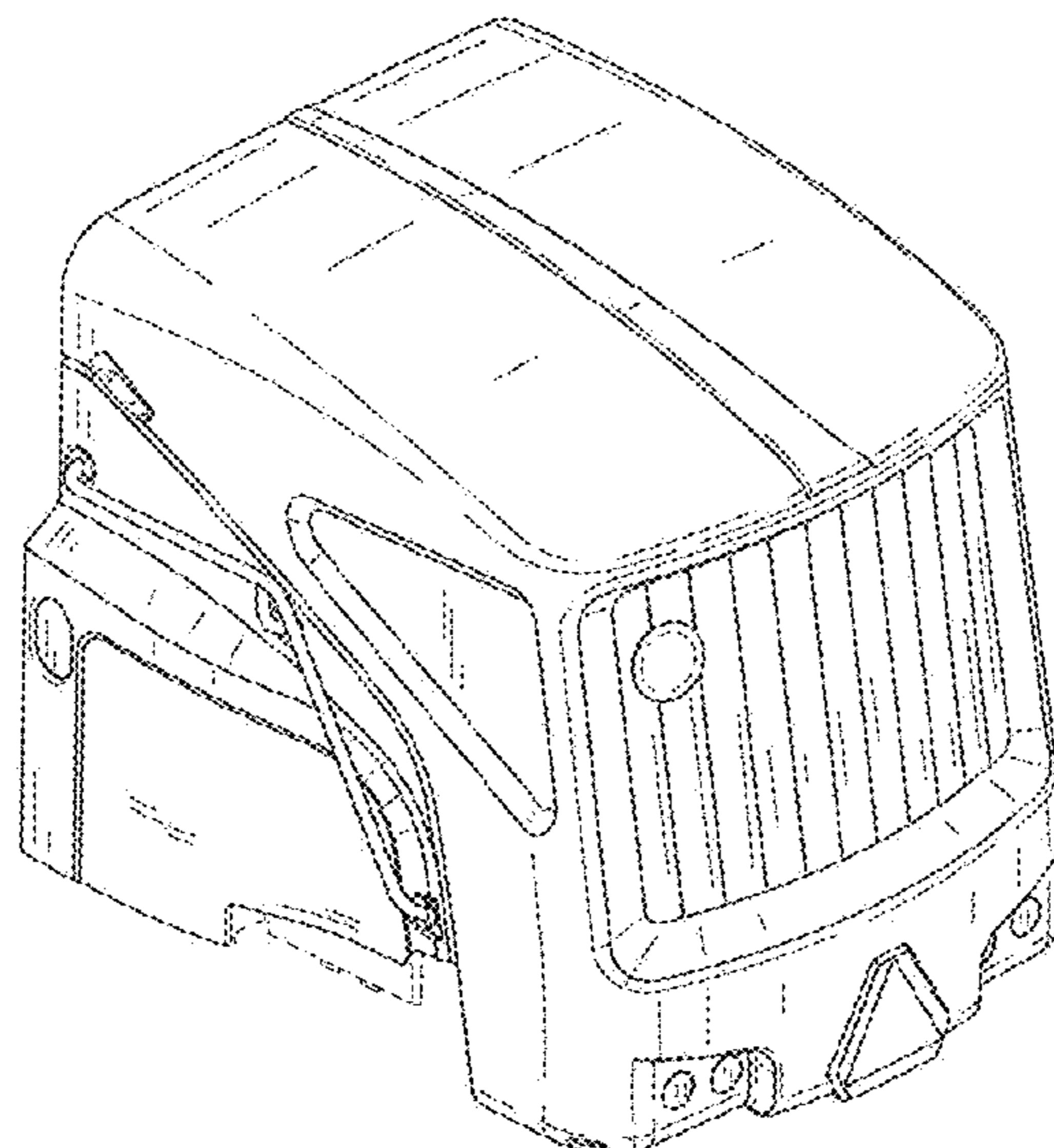
FIG. 4 is a second side elevation view of FIG. 1;

FIG. 5 is a top plan view of FIG. 1; and,

FIG. 6 is a front elevation view of FIG. 1.

The broken line showing of various surface features is included for the purpose of illustrating portions of the engine compartment for agricultural product sprayer and forms no part of the claimed design.

1 Claim, 6 Drawing Sheets



(56)

References Cited

U.S. PATENT DOCUMENTS

D786,945 S *	5/2017	Smith	D15/31
D795,308 S *	8/2017	Sauvaget	D15/31
D795,309 S *	8/2017	Sauvaget	D15/31
D806,762 S *	1/2018	Loew	D15/31

* cited by examiner

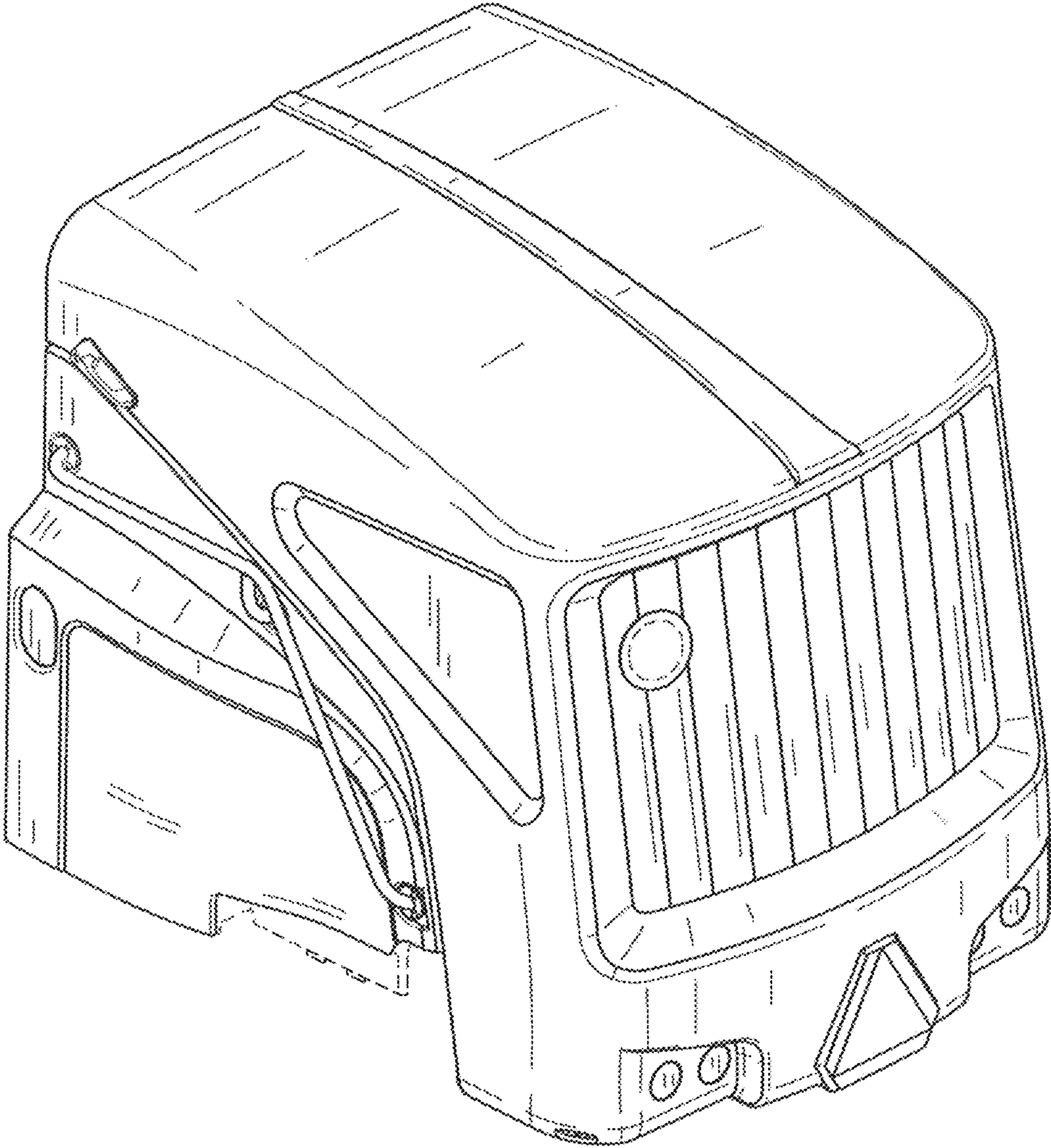


FIG. 1

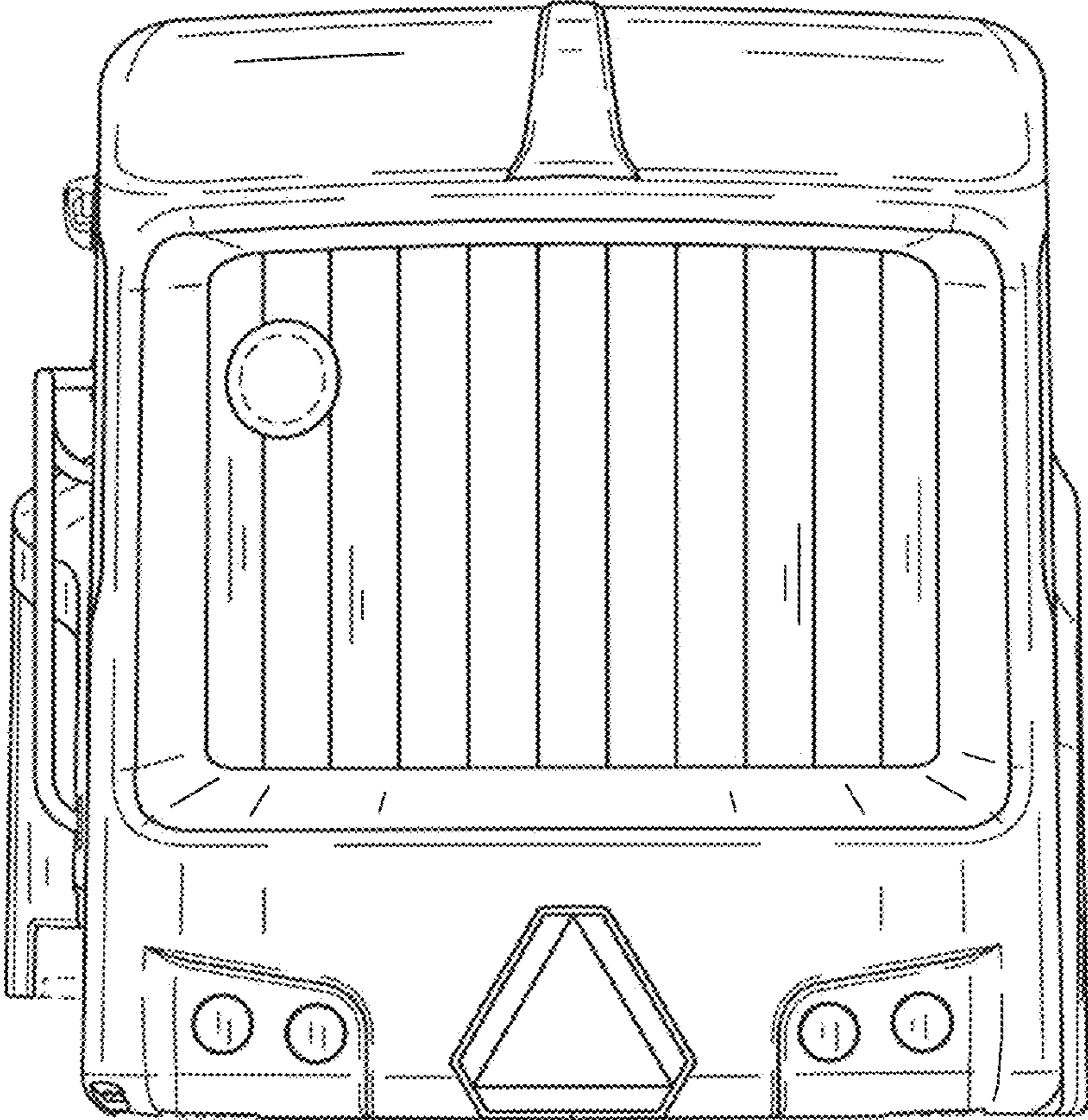


FIG. 2

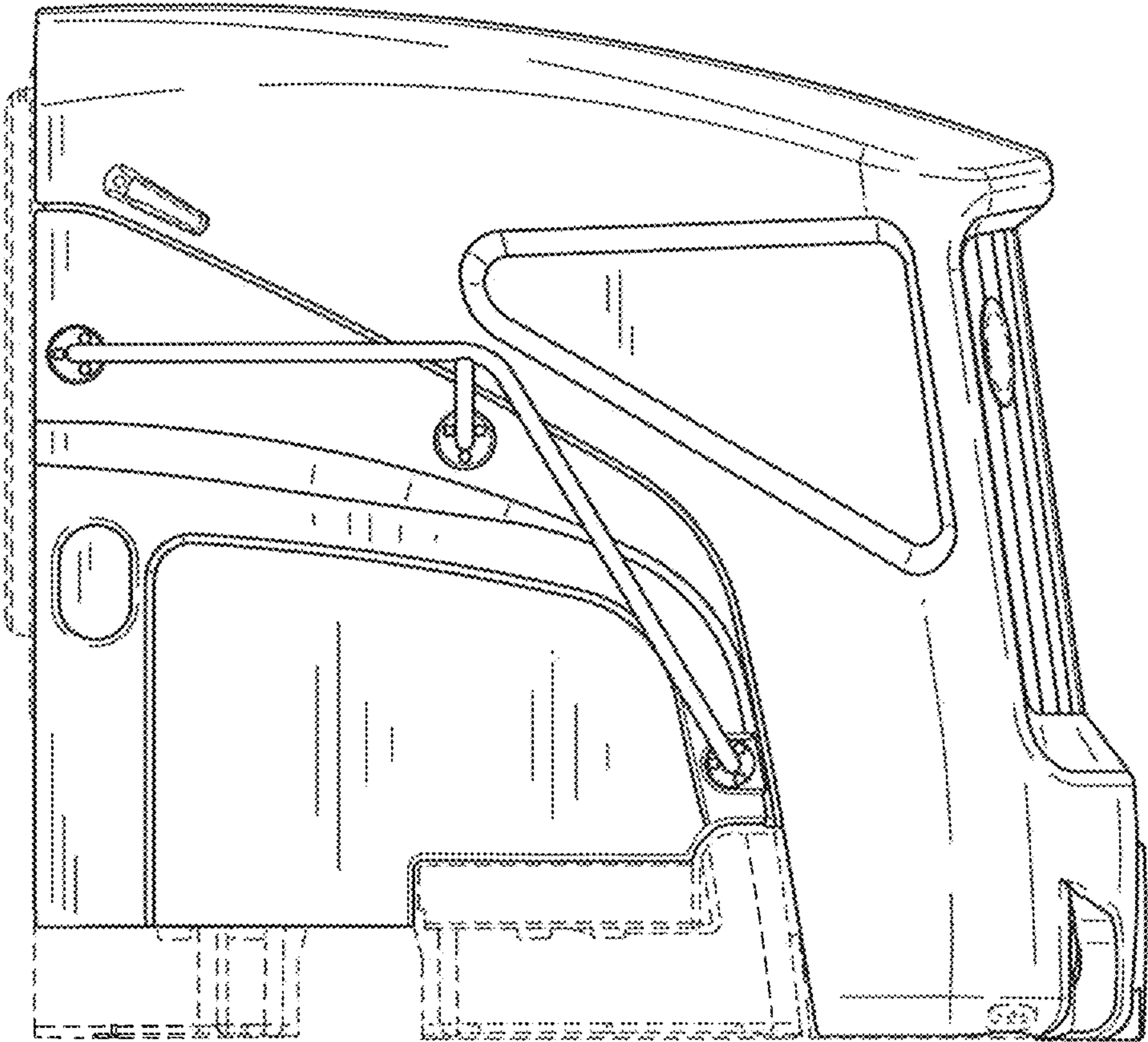


FIG. 3

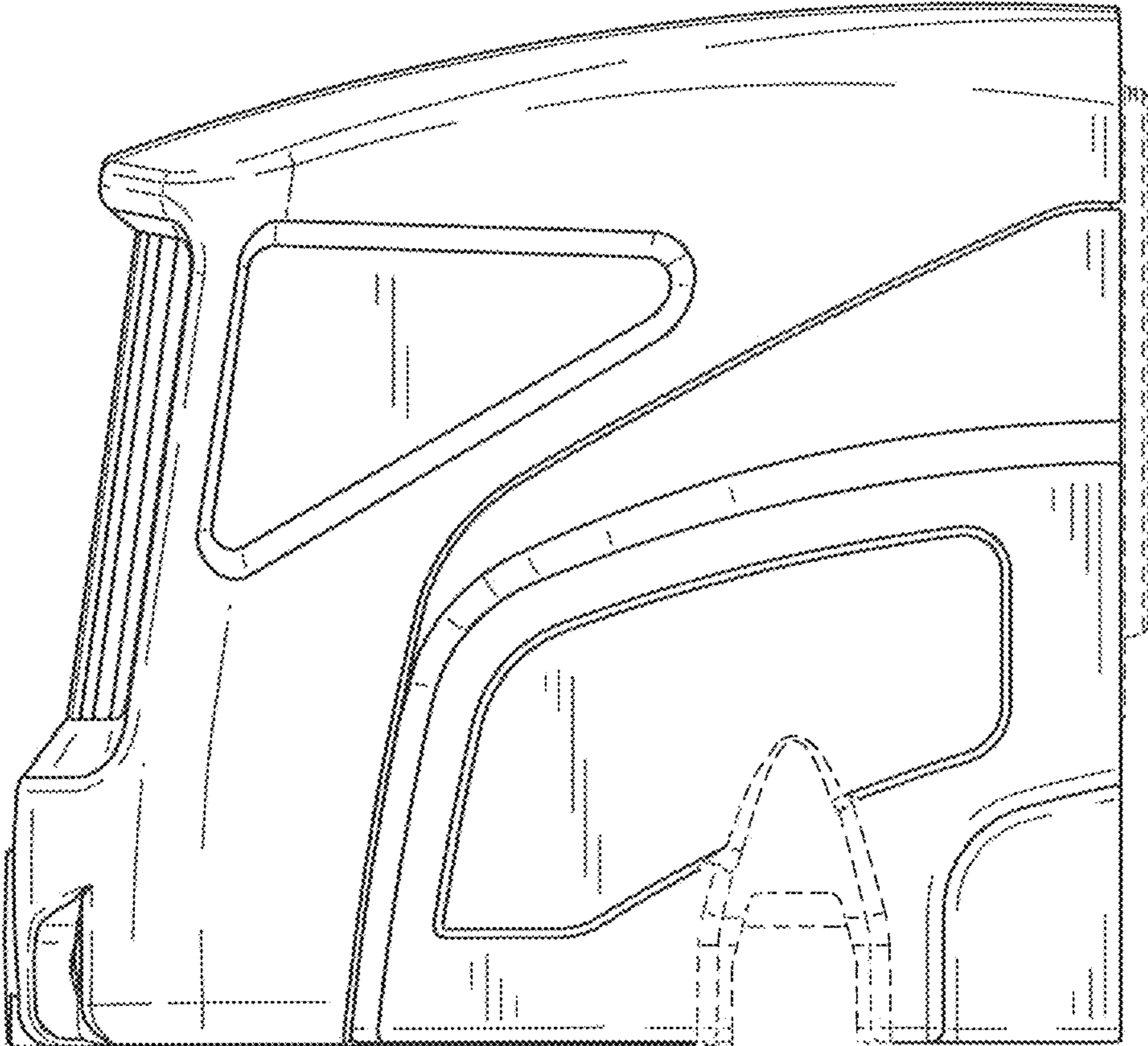


FIG. 4

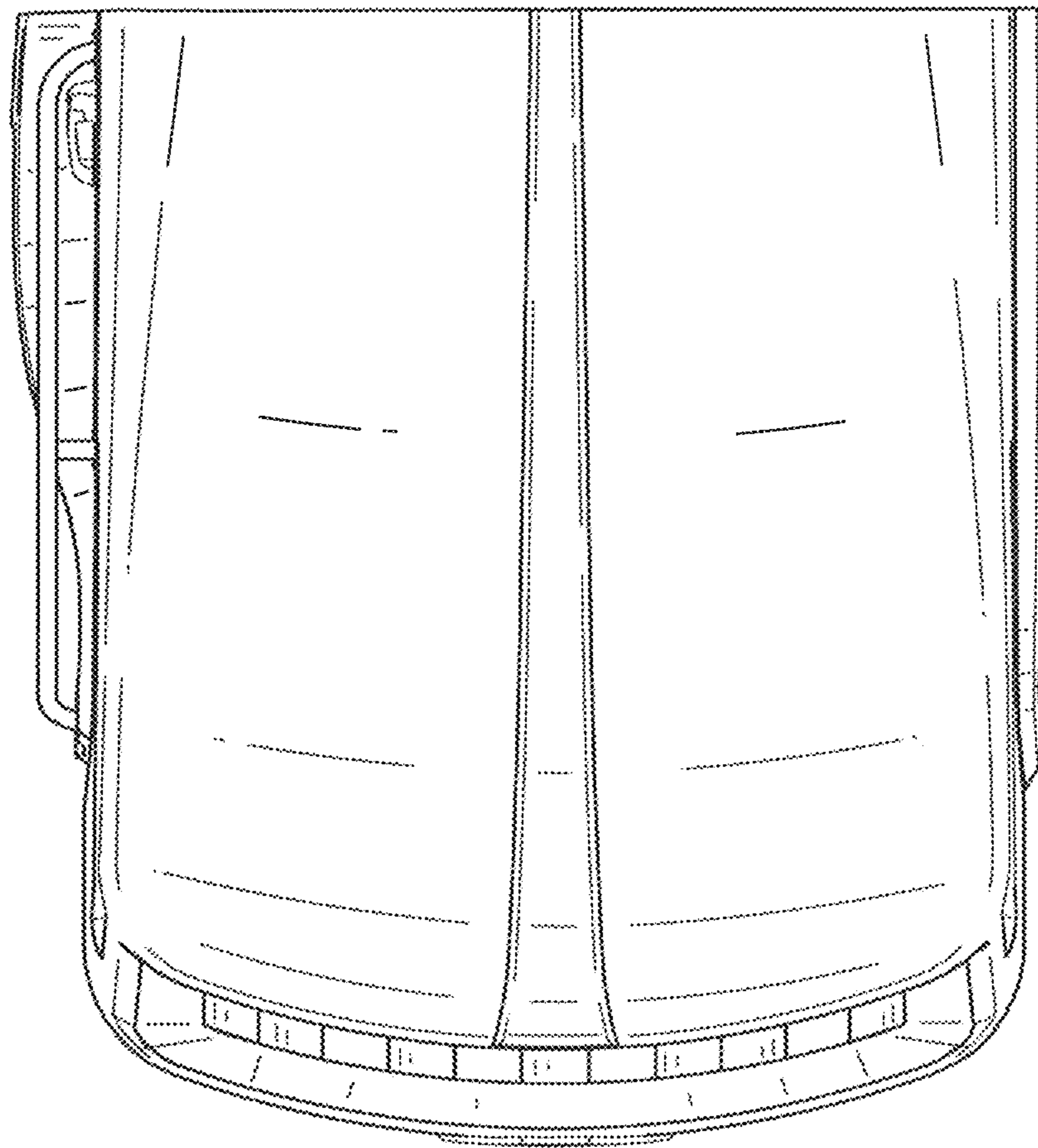


FIG. 5

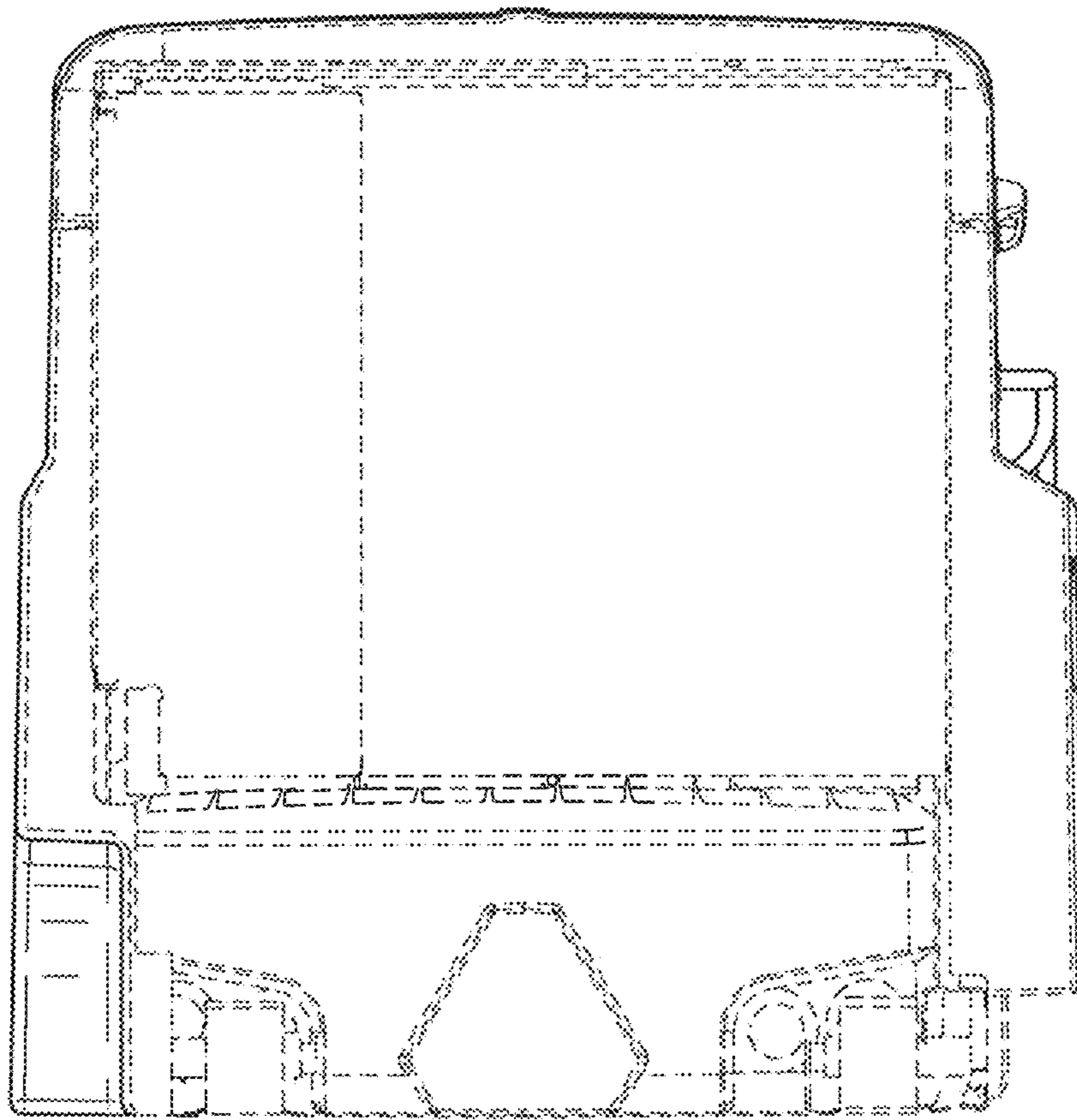


FIG. 6