



US00D880536S

(12) **United States Design Patent** (10) **Patent No.:** **US D880,536 S**
Abramczyk et al. (45) **Date of Patent:** **** Apr. 7, 2020**

(54) **PLOW BLADE DAMPING MEMBER**

3,685,117 A 8/1972 Hahn
4,178,012 A 12/1979 Roth et al.
4,288,932 A 9/1981 Küper
(Continued)

(71) Applicant: **Ironhawk Industrial Distribution LLC**, Euclid, OH (US)

(72) Inventors: **Ron Abramczyk**, Willowick, OH (US);
Eric Fox, Sligo, PA (US)

FOREIGN PATENT DOCUMENTS

(73) Assignee: **Ironhawk Industrial Distribution LLC**, Beachwood, OH (US)

CN 202787166 U 3/2013
DE 2403051 A1 8/1974
(Continued)

(**) Term: **15 Years**

OTHER PUBLICATIONS

(21) Appl. No.: **29/700,873**

Statement Regarding Potential Prior Art Submitted on Nov. 18, 2014 from U.S. Appl. No. 13/769,517.

(22) Filed: **Aug. 6, 2019**

Primary Examiner — Mark A Goodwin
(74) *Attorney, Agent, or Firm* — Calfee, Halter & Griswold LLP

Related U.S. Application Data

(63) Continuation of application No. 29/555,080, filed on Feb. 18, 2016, now Pat. No. Des. 863,368, which is a continuation of application No. 13/769,517, filed on Feb. 18, 2013, now Pat. No. 9,290,898.

(57) **CLAIM**

We claim the ornamental design for a plow blade damping member, as shown and described.

(51) **LOC (12) Cl.** **15-03**

(52) **U.S. Cl.**
USPC **D15/28**

(58) **Field of Classification Search**
USPC D15/11, 17, 28; D8/349, 354; 37/232, 37/266, 270, 407
CPC E01H 5/062; E01H 5/061; Y10T 29/49844
See application file for complete search history.

DESCRIPTION

FIG. 1 is a perspective view of an embodiment of a plow blade damping member of the new design;
FIG. 2 is a front view of the plow blade damping member of FIG. 1;
FIG. 3 is a rear view of the plow blade damping member of FIG. 1;
FIG. 4 is a right side view of the plow blade damping member of FIG. 1;
FIG. 5 is a left side view of the plow blade damping member of FIG. 1;
FIG. 6 is a top view of the plow blade damping member of FIG. 1; and,
FIG. 7 is a bottom view of the plow blade damping member of FIG. 1.

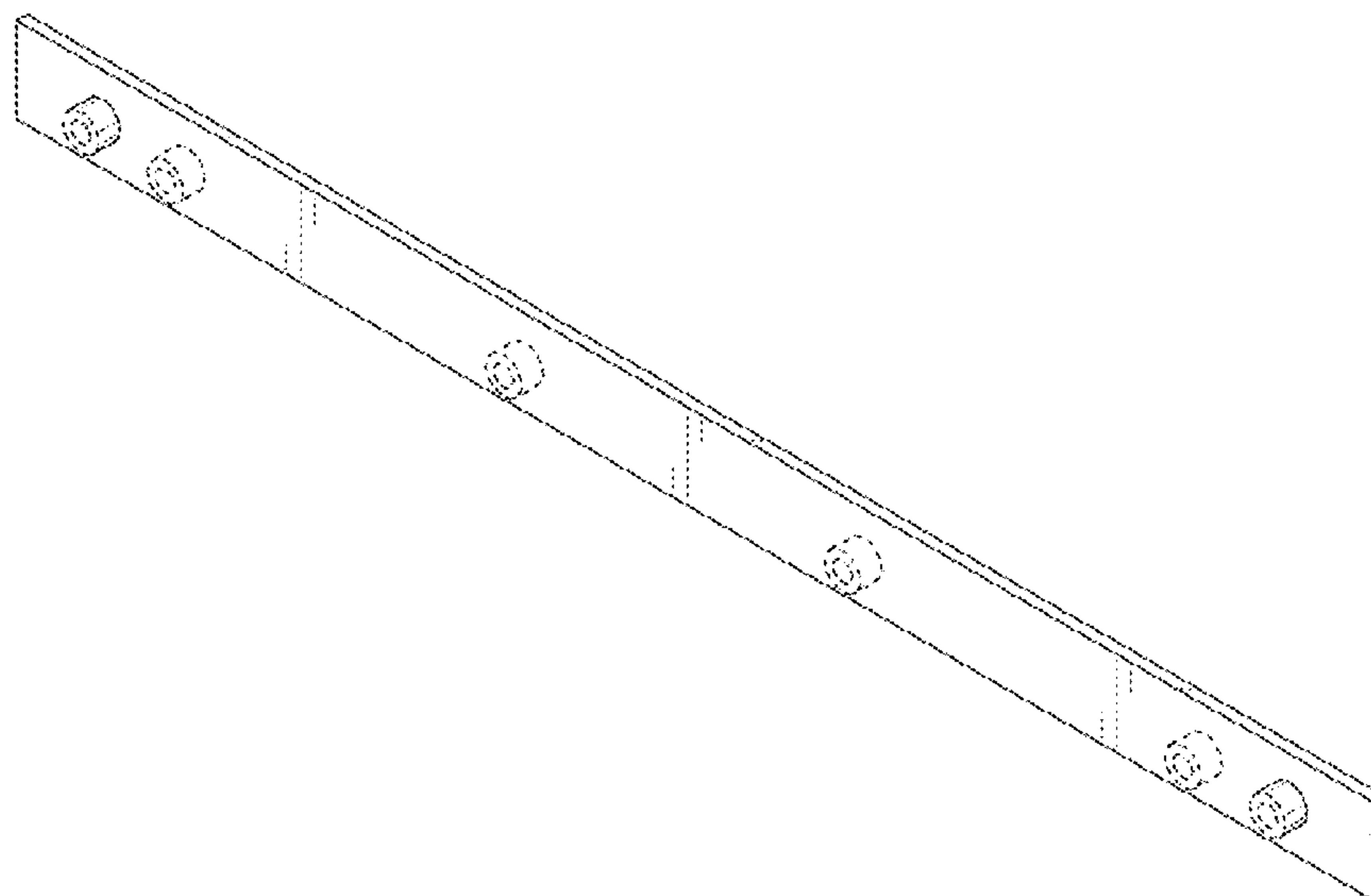
The portions of the Figures shown in broken lines are for illustrative purpose only and form no part of the claimed design.

(56) **References Cited**

U.S. PATENT DOCUMENTS

2,061,585 A 11/1936 Meyer
3,198,565 A 8/1965 Ellis
3,408,086 A 10/1968 Bennett
3,413,738 A 12/1968 Goldberg
3,465,456 A 9/1969 Meyer
3,477,149 A * 11/1969 Wagner E01H 5/061
37/233

1 Claim, 4 Drawing Sheets



(56)

References Cited

U.S. PATENT DOCUMENTS

4,347,677 A 9/1982 Kuper
 4,431,209 A 2/1984 Volkl et al.
 4,571,860 A 2/1986 Long
 4,590,694 A 5/1986 Block
 4,667,943 A 5/1987 Izumi et al.
 4,976,054 A * 12/1990 Jones E01H 5/06
 15/82
 5,148,616 A 9/1992 Maguina-Larco
 5,471,770 A 12/1995 Ferreira
 5,611,157 A * 3/1997 Ferreira E01H 5/061
 172/701.1
 5,743,032 A 4/1998 Vauhkonen
 5,746,017 A 5/1998 Marvik
 6,751,894 B2 6/2004 Verseef
 6,922,924 B2 8/2005 Jones et al.
 7,107,709 B2 9/2006 Hamel
 7,467,485 B2 12/2008 Lachance et al.
 7,584,557 B1 9/2009 Nistler
 7,631,441 B2 12/2009 Hunt
 7,765,726 B2 8/2010 Kuper
 7,874,085 B1 1/2011 Winter et al.
 7,905,035 B2 3/2011 Thomas
 8,191,287 B2 6/2012 Winter et al.
 8,844,173 B2 * 9/2014 Winter E01H 5/061
 37/266
 8,984,778 B2 3/2015 Fox et al.
 9,290,898 B2 3/2016 Abramczyk
 9,428,874 B2 8/2016 Winter

9,562,342 B2 2/2017 Winter
 D781,352 S 3/2017 Hunt
 9,938,678 B2 4/2018 Lakin
 10,113,282 B2 * 10/2018 Behan E01H 5/061
 2004/0006894 A1 1/2004 Schultz et al.
 2004/0006895 A1 1/2004 Schultz et al.
 2004/0060201 A1 4/2004 Schultz et al.
 2008/0052929 A1 3/2008 Paonessa
 2009/0307934 A1 12/2009 Wendorff et al.
 2011/0287203 A1 11/2011 Victor et al.
 2011/0287223 A1 11/2011 Victor et al.
 2011/0311769 A1 12/2011 Chen et al.
 2012/0260537 A1 10/2012 Winter et al.
 2013/0161152 A1 6/2013 Wing
 2013/0174452 A1 7/2013 Diehl et al.
 2013/0212915 A1 8/2013 Abramczyk

FOREIGN PATENT DOCUMENTS

DE 2400440 7/1975
 DE 3319223 7/1984
 DE 3404030 7/1985
 DE 3814240 11/1989
 DE 19643847 5/1998
 DE 102005040705 3/2007
 EP 1731676 12/2006
 KR 101317693 B1 10/2013
 SE 454279 4/1988
 WO 2005124031 12/2005
 WO 2007131663 11/2007

* cited by examiner

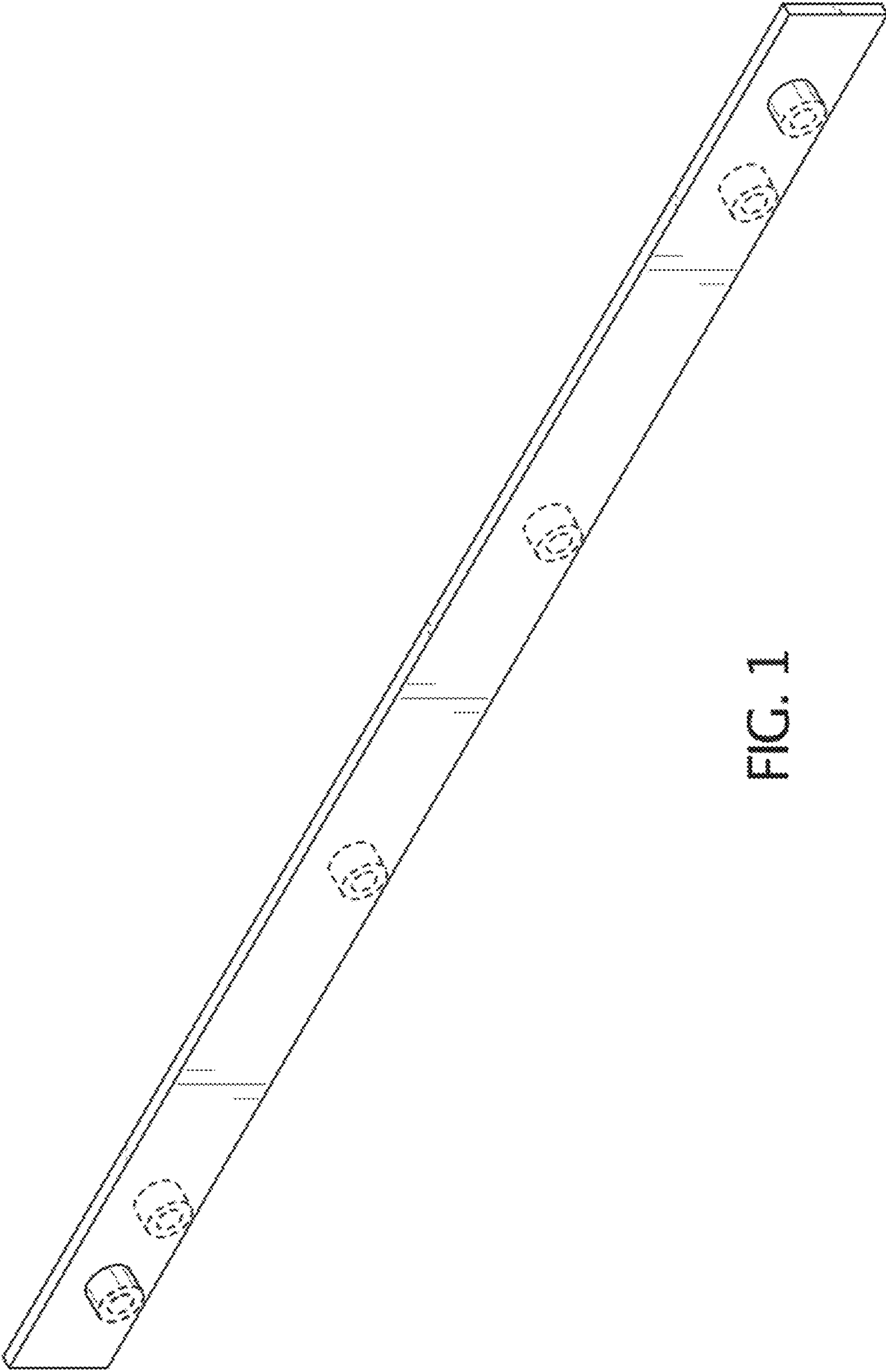


FIG. 1

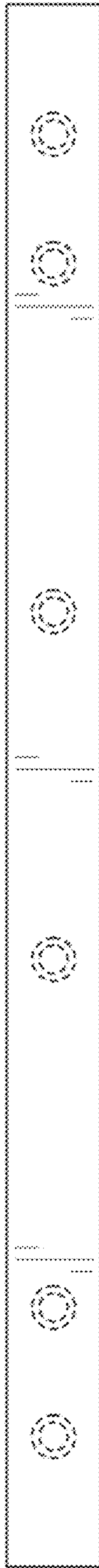


FIG. 2

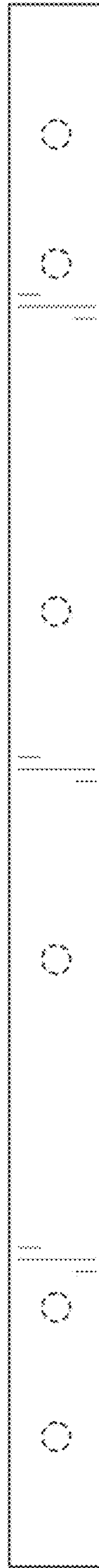


FIG. 3



FIG. 5



FIG. 4



FIG. 6

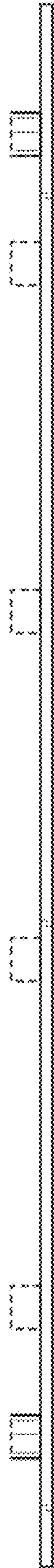


FIG. 7