



US00D880535S

(12) **United States Design Patent**
Dienst et al.

(10) **Patent No.:** **US D880,535 S**

(45) **Date of Patent:** **** Apr. 7, 2020**

(54) **STORAGE TANK FOR AN AGRICULTURAL PLANTER**

(71) Applicant: **CNH Industrial America LLC**, New Holland, PA (US)

(72) Inventors: **Johnathon R. Dienst**, Maple Park, IL (US); **John Joseph Schrepferman**, Saint Charles, IL (US); **Richard Justice**, South Bend, IN (US); **Michael J. Connors**, Lockport, IL (US); **Brandon James Kuboushek**, New Lenox, IL (US); **Jacob A. Weis**, Bolingbrook, IL (US); **Travis Lester Harnetiaux**, Bourbonnais, IL (US)

(73) Assignee: **CNH Industrial America LLC**, New Holland, PA (US)

(**) Term: **15 Years**

(21) Appl. No.: **29/688,930**

(22) Filed: **Apr. 25, 2019**

Related U.S. Application Data

(62) Division of application No. 29/638,913, filed on Mar. 1, 2018, now Pat. No. Des. 849,801.

(51) **LOC (12) Cl.** **15-03**

(52) **U.S. Cl.**
USPC **D15/27**

(58) **Field of Classification Search**
USPC D15/10, 12, 27, 28; 56/15.8, 15.9; 172/311, 210, 466, 484, 456, 481, 605, 172/626, 776, 507; 280/411.1, 412, 413, 280/415 A, 415 R, 482, 656
CPC A01B 73/065; A01B 73/005; A01B 73/00; A01B 73/02; A01B 73/04; A01B 73/06; A01B 49/06; A01B 49/00; A01B 61/044; A01B 61/048; A01B 5/04; A01B 49/027; A01B 73/046; A01B 73/048; A01B

63/002; A01B 63/14; A01B 63/32; A01B 63/118; A01C 7/208; A01C 7/18; A01C 7/00; A01C 7/20; A01C 7/06; A01C 5/064; A01C 5/068; A01C 7/203; A01C 7/205; A01C 7/206; Y10S 111/921; Y10S 111/923; Y10S 111/924; Y10S 111/925

See application file for complete search history.

(56) **References Cited**

U.S. PATENT DOCUMENTS

5,501,405 A *	3/1996	Doornek	A01C 15/007 239/683
D469,782 S	2/2003	Paluch et al.	
6,935,254 B2	8/2005	Ostrander et al.	
D527,789 S *	9/2006	Thompson	D23/202
D559,868 S	1/2008	Nanlawala et al.	
D627,373 S	11/2010	Prickel et al.	

(Continued)

Primary Examiner — Mark A Goodwin

(74) *Attorney, Agent, or Firm* — Rebecca L. Henkel; Rickard K. DeMille

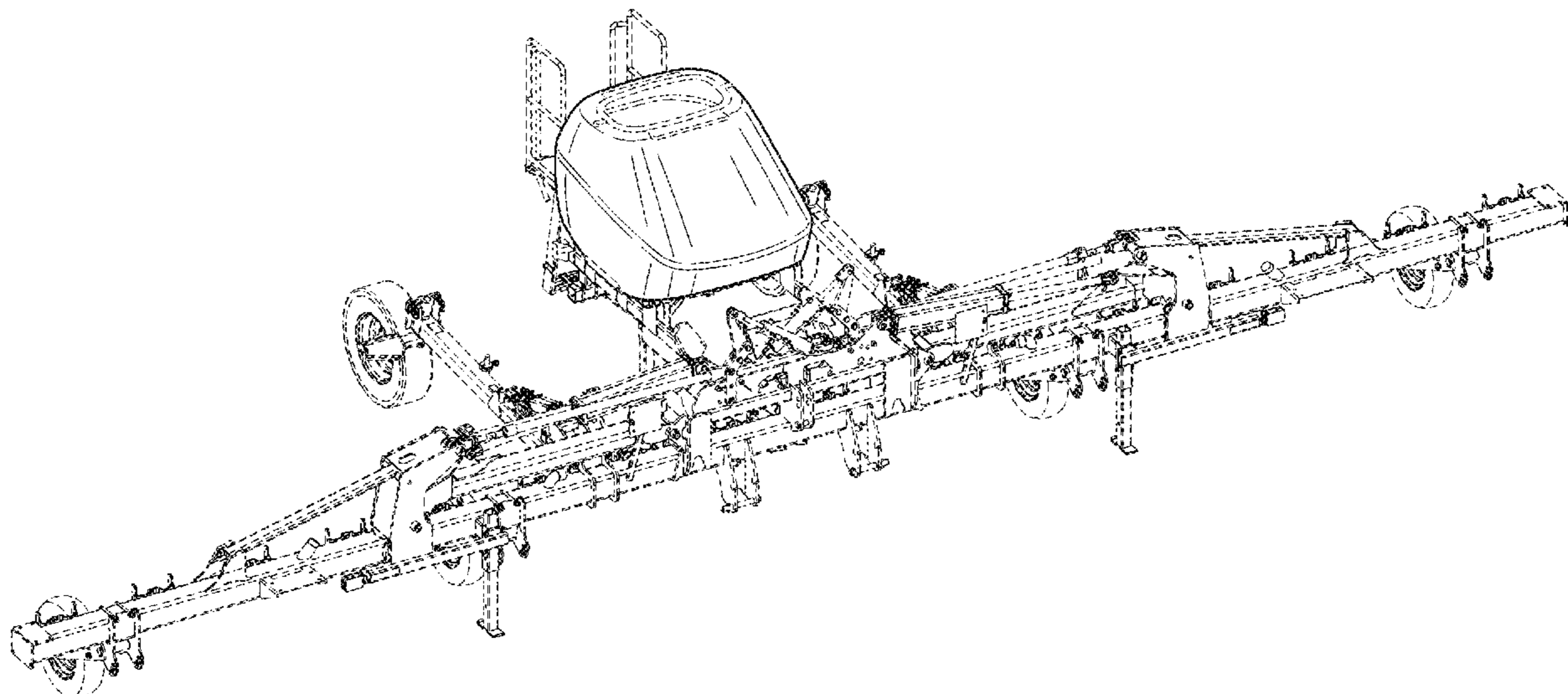
(57) **CLAIM**

The ornamental design for a storage tank for an agricultural planter, substantially as shown and described.

DESCRIPTION

FIG. 1 is a perspective view of an agricultural planter having a storage tank;
FIG. 2 is a perspective view of the storage tank;
FIG. 3 is a front view of the storage tank;
FIG. 4 is a back view of the storage tank;
FIG. 5 is a right side view of the storage tank;
FIG. 6 is a left side view of the storage tank;
FIG. 7 is a top view of the storage tank; and,
FIG. 8 is a bottom view of the storage tank.
Phantom lines, where utilized, are for illustrative purposes only and form no part of the claimed design.

1 Claim, 5 Drawing Sheets



(56)

References Cited

U.S. PATENT DOCUMENTS

D628,214 S 11/2010 Knobloch et al.
D629,426 S 12/2010 Prickel et al.
D629,427 S 12/2010 Prickel et al.
D631,068 S 1/2011 Prickel et al.
D646,699 S 10/2011 Knobloch et al.
D647,168 S * 10/2011 Lerner D23/202
D647,169 S * 10/2011 Leonard D23/202
D647,170 S * 10/2011 Hayslip D23/202
D655,372 S * 3/2012 Kimball D23/202
D667,847 S 9/2012 Kovach et al.
D680,559 S 4/2013 Blunier et al.
D690,740 S 10/2013 Gonzales et al.
D690,741 S 10/2013 Gonzales et al.
D713,424 S 9/2014 Gonzales et al.
D729,141 S * 5/2015 Beadles D12/218
D730,949 S * 6/2015 Thompson D15/28
D730,950 S * 6/2015 Wright D15/28
D730,951 S * 6/2015 Thompson D15/28
D758,458 S 6/2016 Anderson et al.
D766,333 S 9/2016 Anderson et al.
D768,729 S * 10/2016 Long D15/10
D803,756 S * 11/2017 Andersen D12/218
D813,915 S 3/2018 Horsch
D823,348 S 7/2018 Sudbrink et al.
D826,133 S * 8/2018 Loew D12/218
D826,830 S * 8/2018 Weng D12/218
2003/0164126 A1 9/2003 Paluch et al.
2003/0164127 A1 9/2003 Paluch
2009/0178600 A1 7/2009 Horn et al.
2009/0199750 A1 8/2009 Rice et al.
2009/0229501 A1 9/2009 Jaime et al.
2010/0126743 A1 5/2010 Poole et al.
2010/0126744 A1 5/2010 Poole
2014/0190980 A1 7/2014 Long et al.

* cited by examiner

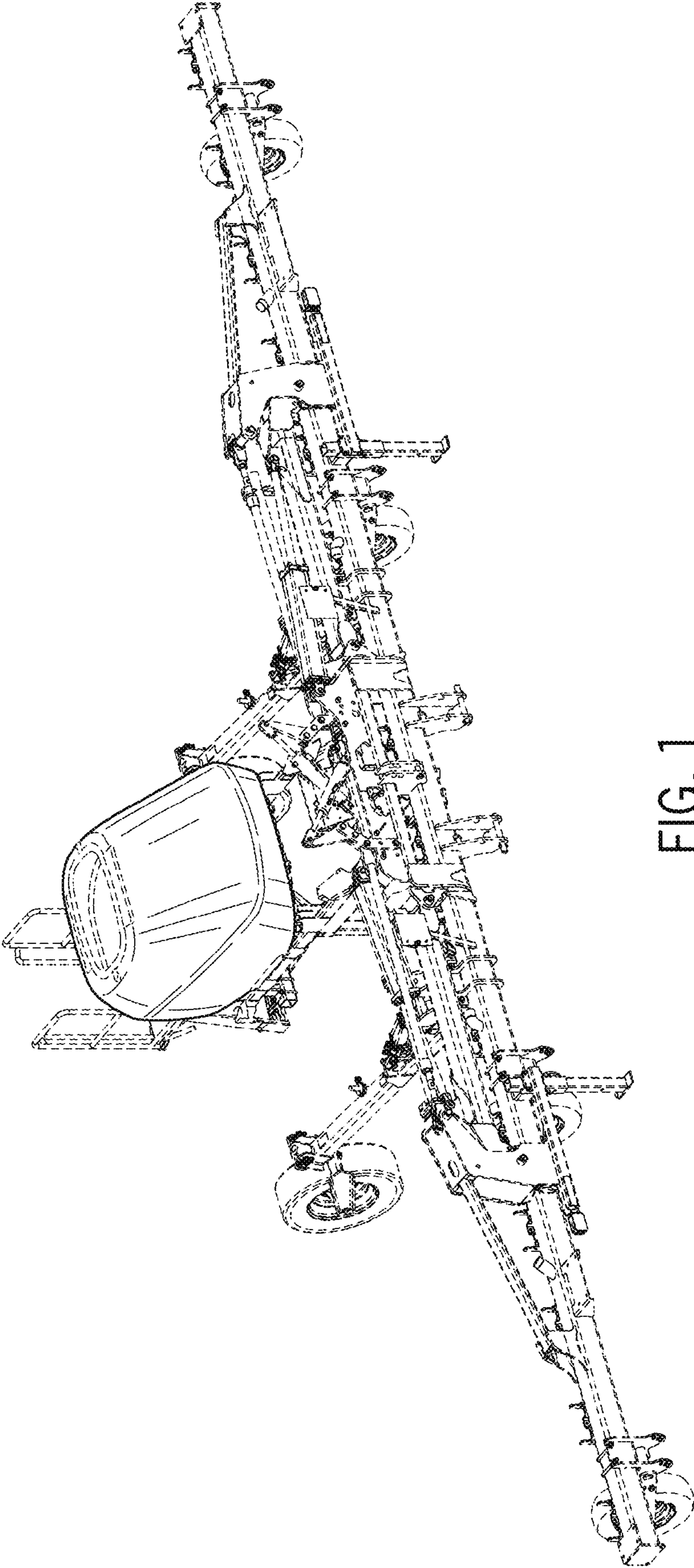


FIG. 1

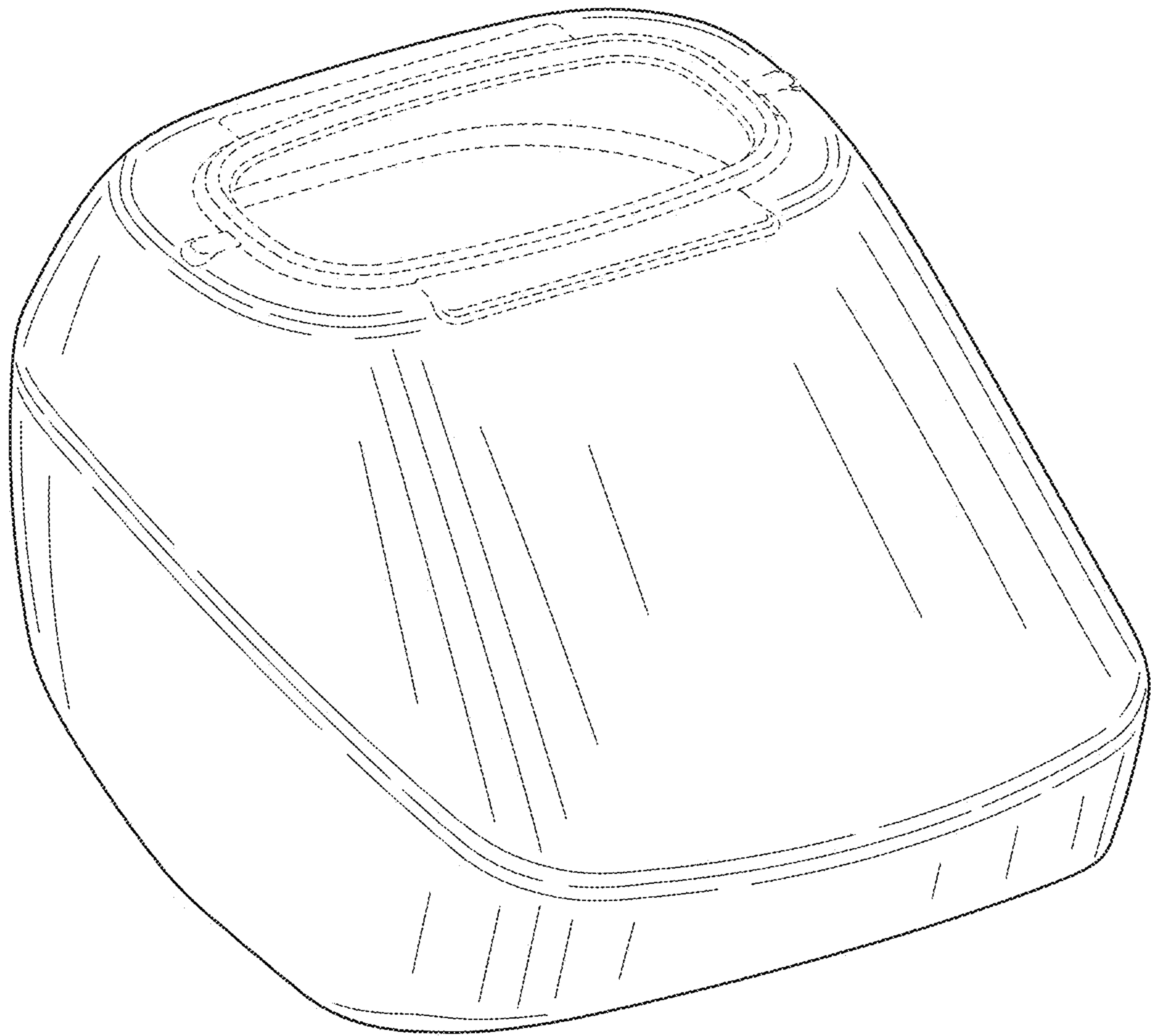


FIG. 2

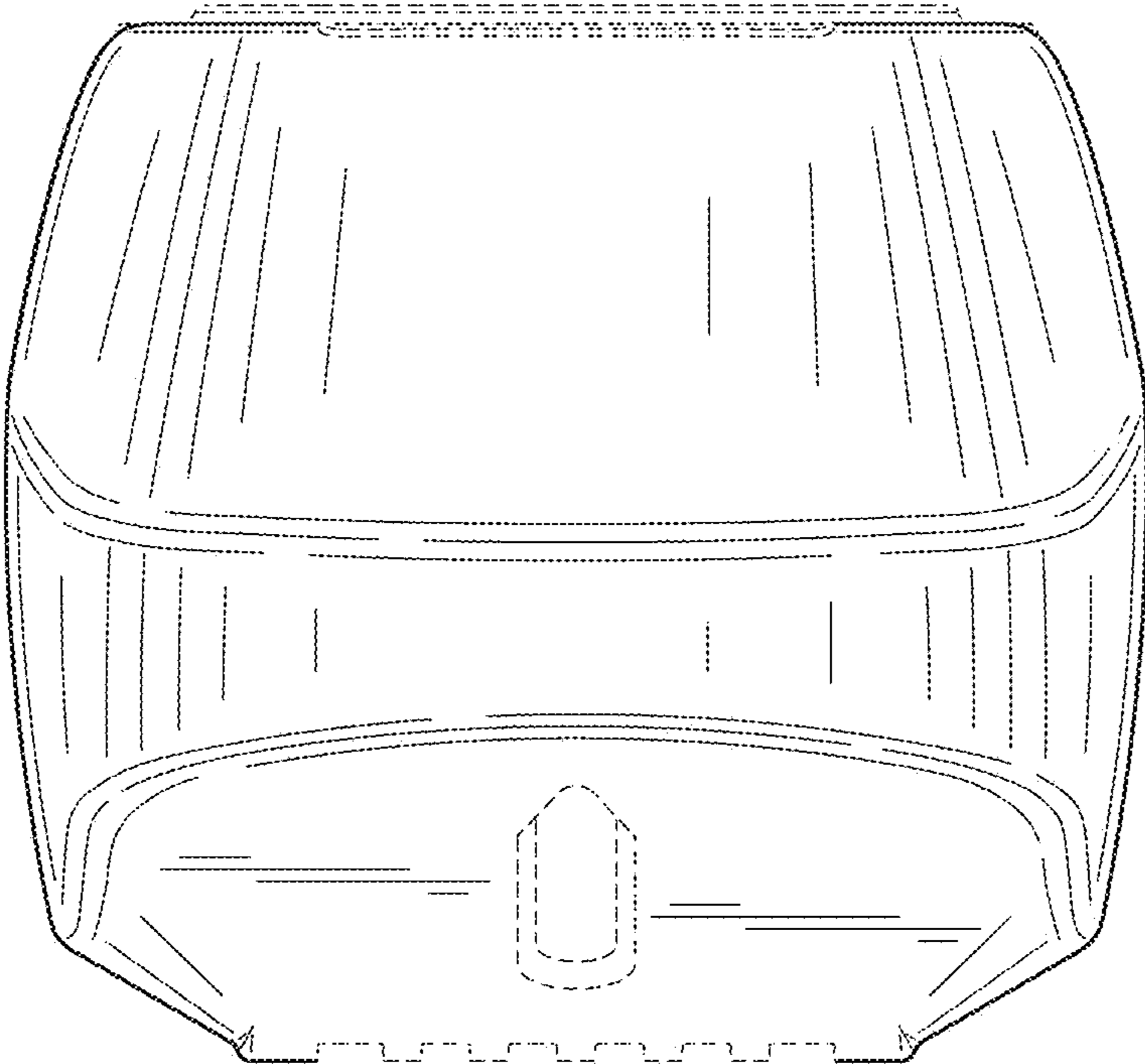


FIG. 3

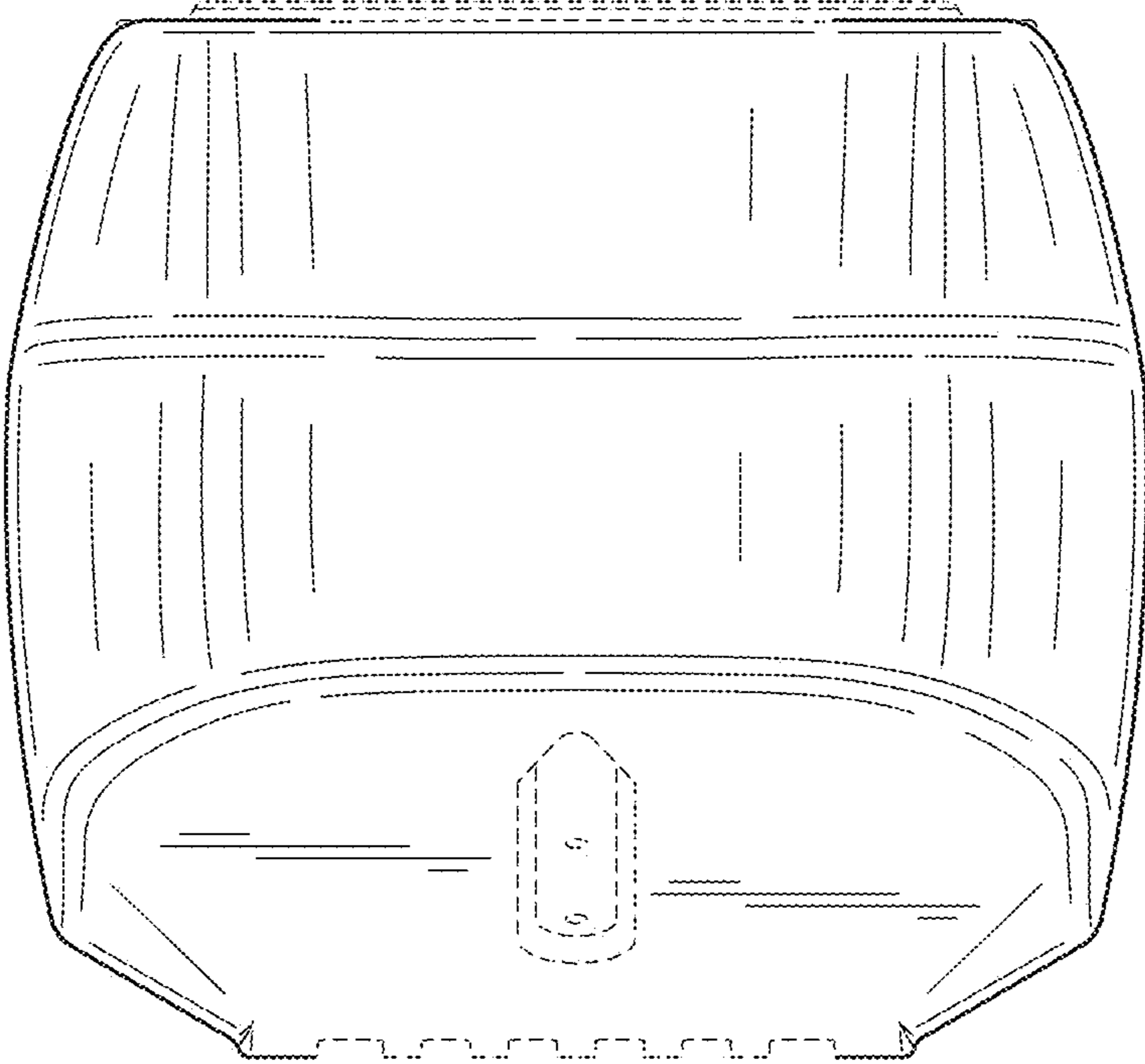


FIG. 4

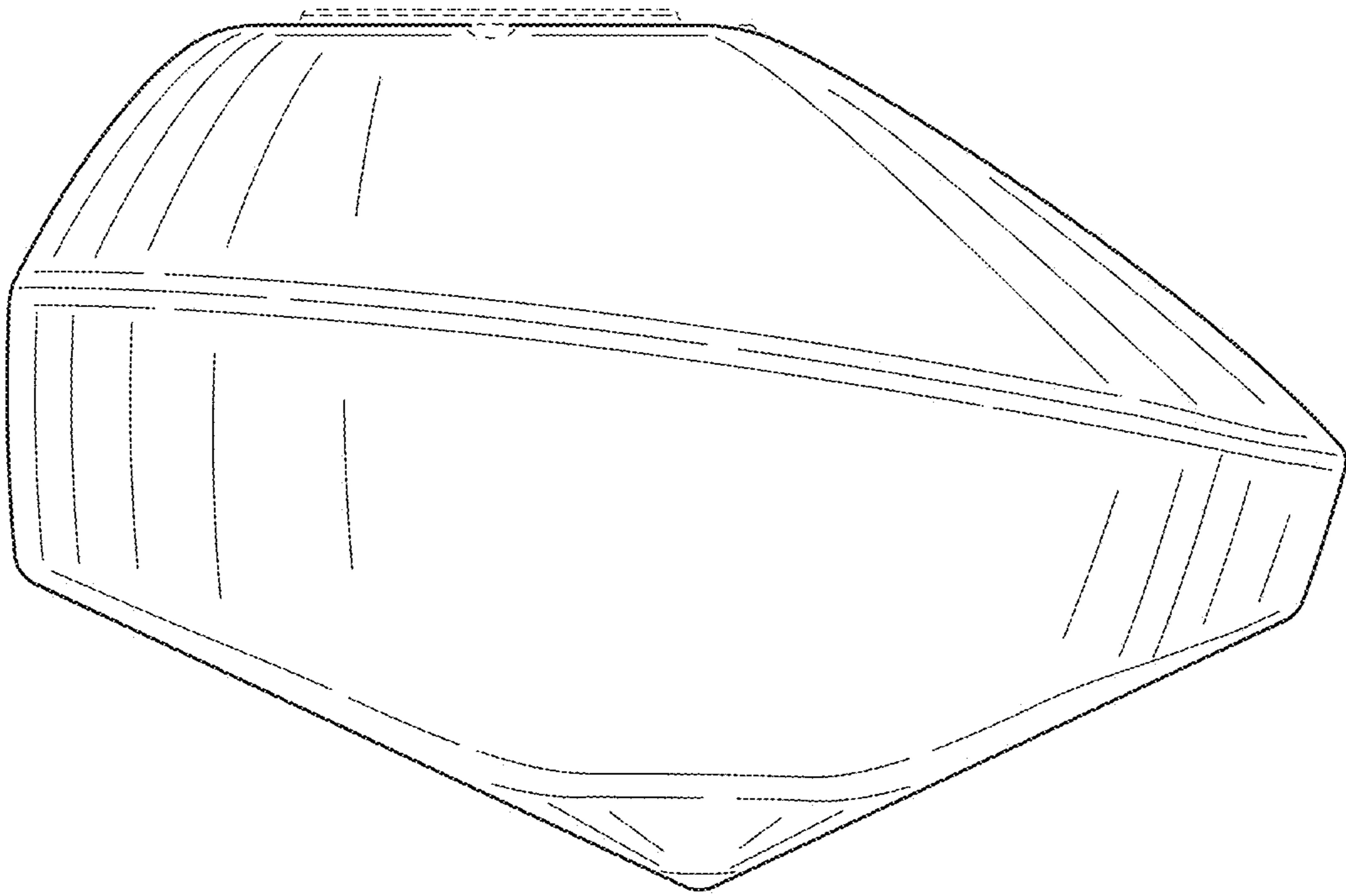


FIG. 5

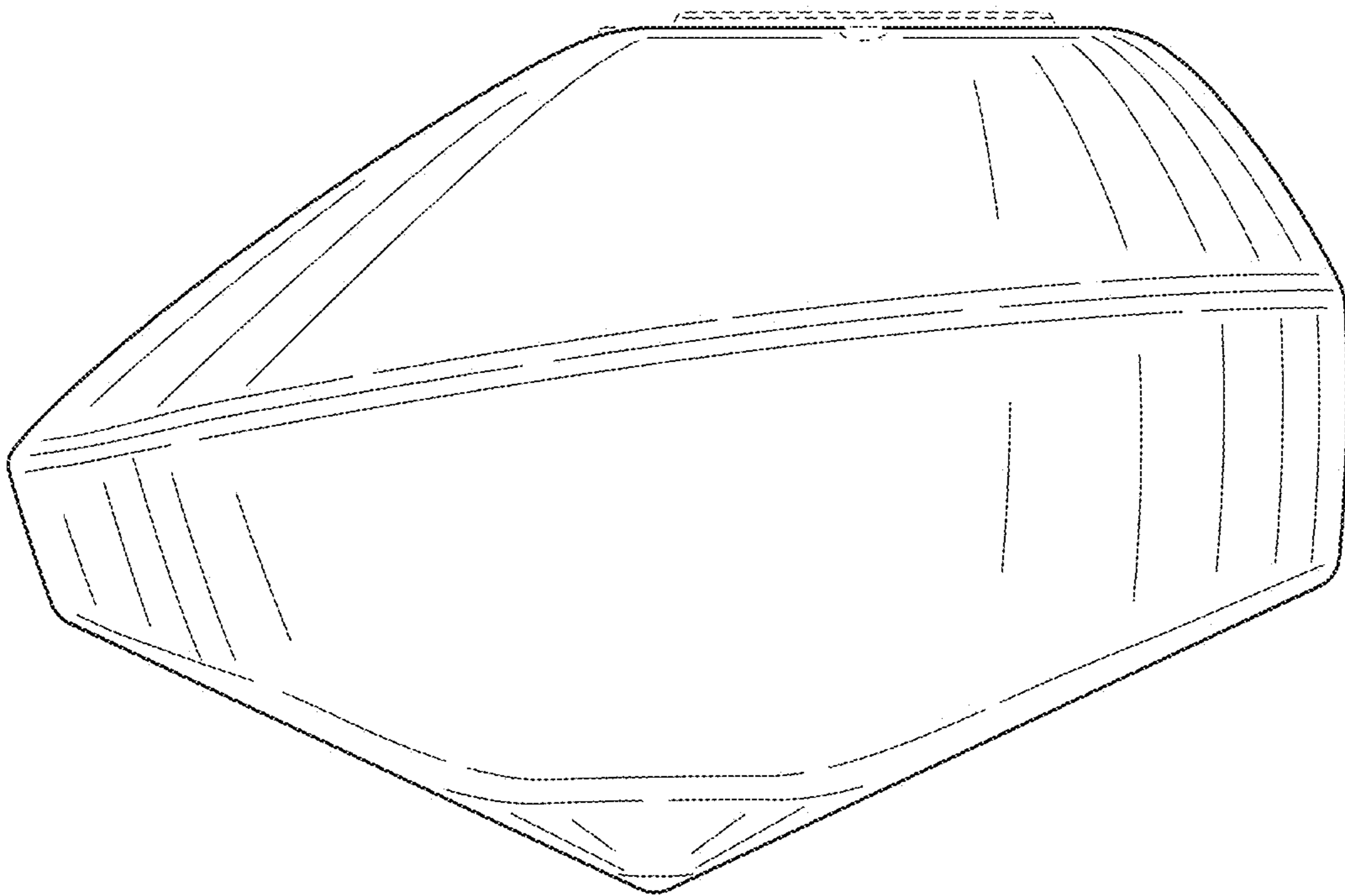


FIG. 6

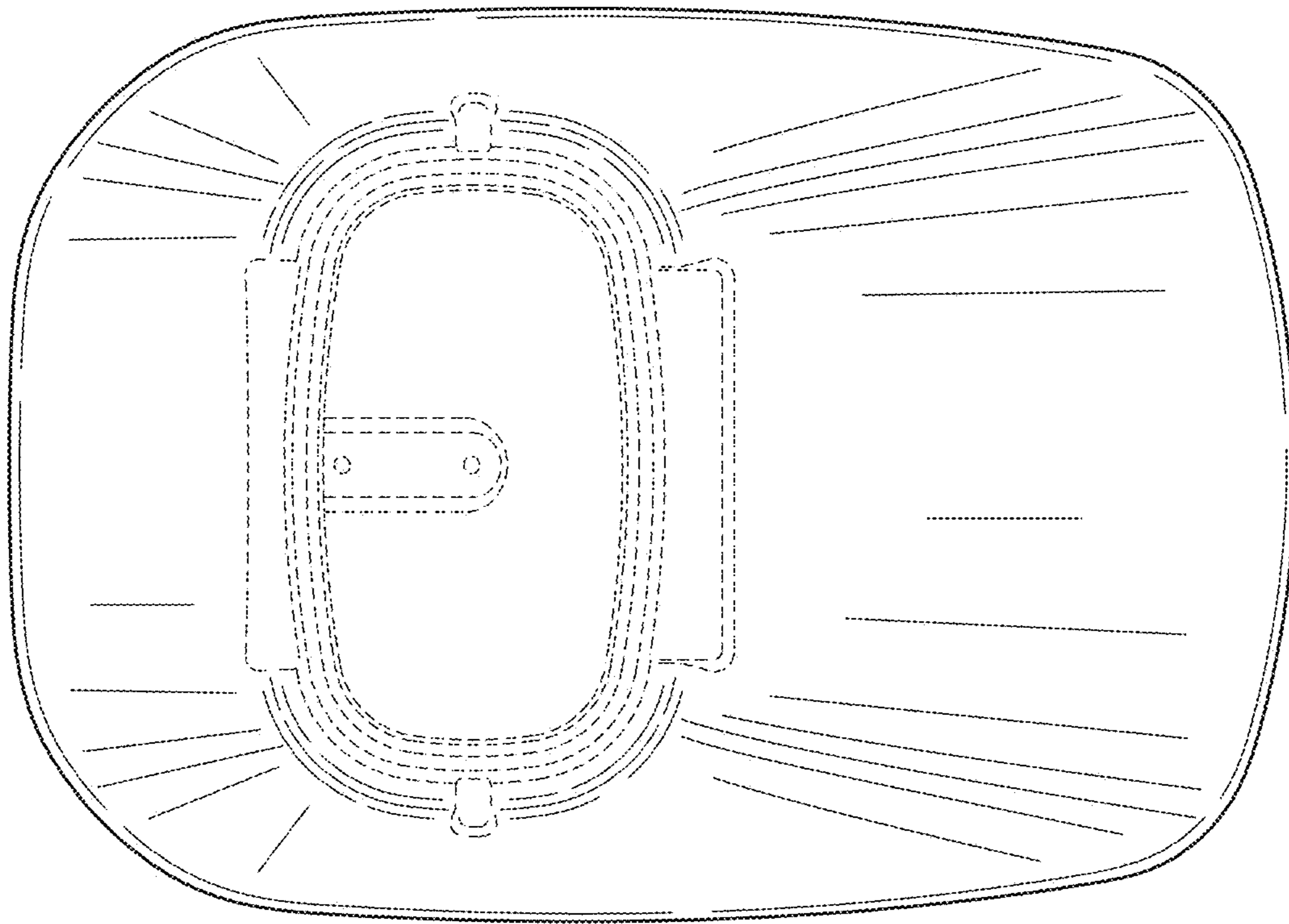


FIG. 7

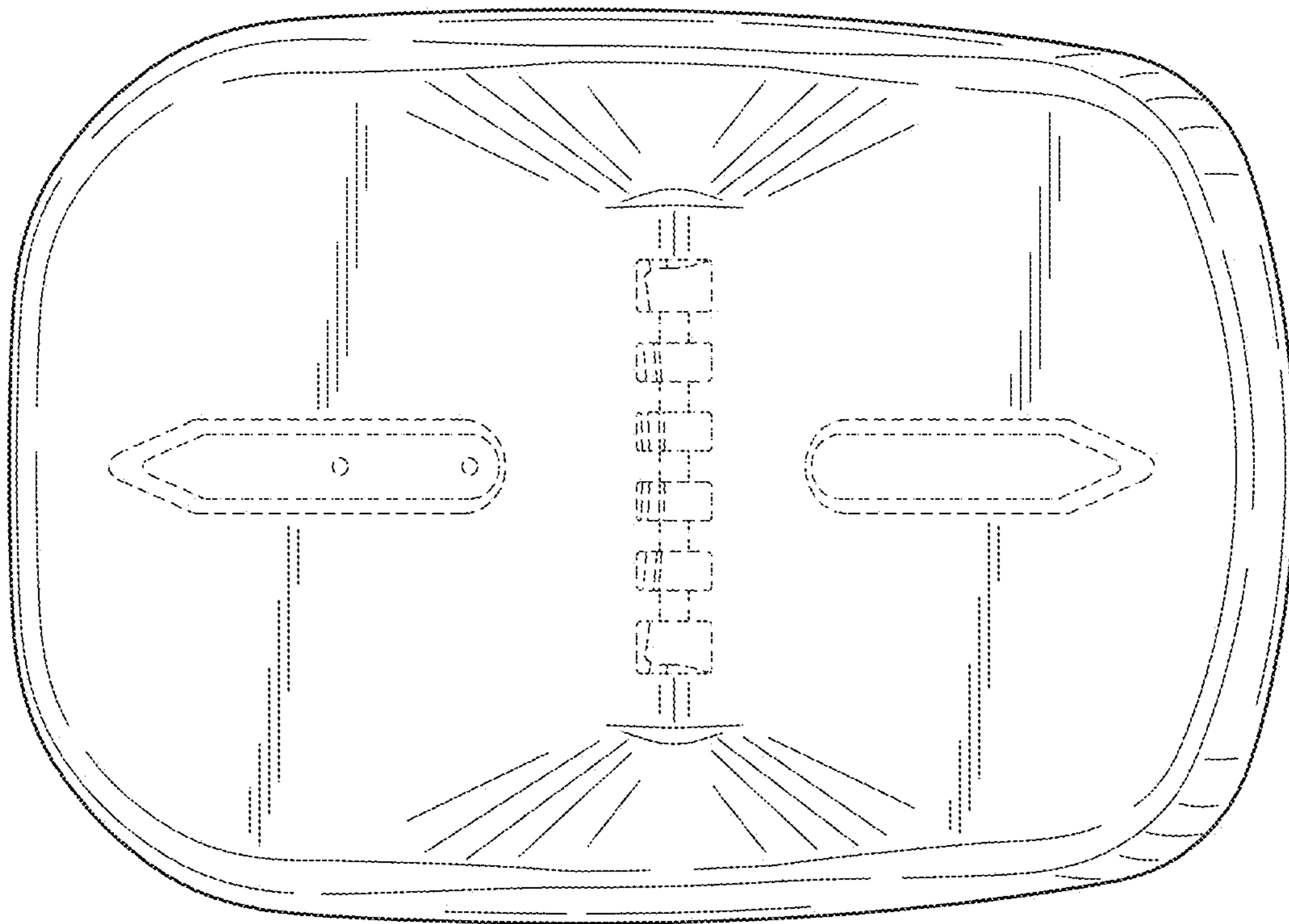


FIG. 8