



US00D880534S

(12) **United States Design Patent** (10) **Patent No.:** **US D880,534 S**  
**Kuboushek et al.** (45) **Date of Patent:** **\*\* Apr. 7, 2020**

(54) **PLANTER**

(71) Applicant: **CNH Industrial America LLC**, New Holland, PA (US)

(72) Inventors: **Brandon Kuboushek**, New Lenox, IL (US); **Jacob Weis**, Bolingbrook, IL (US); **Monte DeKam**, Westmont, IL (US); **Austin McLuckie**, Coal City, IL (US); **Michael Connors**, Lockport, IL (US); **Brian Anderson**, Yorkville, IL (US)

(73) Assignee: **CNH Industrial America LLC**, New Holland, PA (US)

(\*\*) Term: **15 Years**

(21) Appl. No.: **29/670,739**

(22) Filed: **Nov. 19, 2018**

(51) **LOC (12) Cl.** ..... **15-03**

(52) **U.S. Cl.**  
USPC ..... **D15/27**

(58) **Field of Classification Search**

USPC ..... D15/10, 12, 27, 28; 56/15.8, 15.9; 172/311, 210, 466, 484, 456, 481, 605, 172/626, 776, 507; 280/411.1, 412, 413, 280/415 A, 415 R, 482, 656  
 CPC ..... A01B 73/065; A01B 73/005; A01B 73/00; A01B 73/02; A01B 73/04; A01B 73/06; A01B 49/06; A01B 49/00; A01B 61/044; A01B 61/048; A01B 5/04; A01B 49/027; A01B 73/046; A01B 73/048; A01B 63/002; A01B 63/14; A01B 63/32; A01B 63/118; A01C 7/208; A01C 7/18; A01C 7/00; A01C 7/20; A01C 7/06; A01C 5/064; A01C 5/068; A01C 7/203; A01C 7/205; A01C 7/206; Y10S 111/921; Y10S 111/923; Y10S 111/924; Y10S 111/925

See application file for complete search history.

(56) **References Cited**

U.S. PATENT DOCUMENTS

|           |    |   |         |           |       |                        |
|-----------|----|---|---------|-----------|-------|------------------------|
| D469,782  | S  | * | 2/2003  | Paluch    | ..... | D15/10                 |
| 6,935,254 | B2 | * | 8/2005  | Ostrander | ..... | A01B 73/065<br>111/174 |
| D559,868  | S  | * | 1/2008  | Nanlawala | ..... | D15/10                 |
| D627,373  | S  | * | 11/2010 | Prickel   | ..... | D15/10                 |
| D628,214  | S  | * | 11/2010 | Knobloch  | ..... | D15/27                 |
| D629,426  | S  | * | 12/2010 | Prickel   | ..... | D15/10                 |
| D629,427  | S  | * | 12/2010 | Prickel   | ..... | D15/10                 |
| D631,068  | S  | * | 1/2011  | Prickel   | ..... | D15/10                 |
| D646,699  | S  | * | 10/2011 | Knobloch  | ..... | D15/27                 |
| D667,847  | S  | * | 9/2012  | Kovach    | ..... | A01B 49/02<br>D15/11   |
| D680,559  | S  | * | 4/2013  | Blunier   | ..... | D15/10                 |
| D758,458  | S  | * | 6/2016  | Anderson  | ..... | D15/10                 |
| D766,333  | S  | * | 9/2016  | Anderson  | ..... | D15/27                 |
| D813,915  | S  | * | 3/2018  | Horsch    | ..... | D15/27                 |
| D823,348  | S  | * | 7/2018  | Sudbrink  | ..... | D15/27                 |

(Continued)

*Primary Examiner* — Mark A Goodwin

(74) *Attorney, Agent, or Firm* — Rebecca L. Henkel; Rickard K. DeMille

(57) **CLAIM**

The ornamental design for a planter, substantially as shown and described.

**DESCRIPTION**

FIG. 1 is a perspective view of a planter with markers in a retracted position;

FIG. 2 is a front view of the planter;

FIG. 3 is a back view of the planter;

FIG. 4 is a right side view of the planter;

FIG. 5 is a left side view of the planter;

FIG. 6 is a top view of the planter;

FIG. 7 is a bottom view of the planter; and,

(Continued)

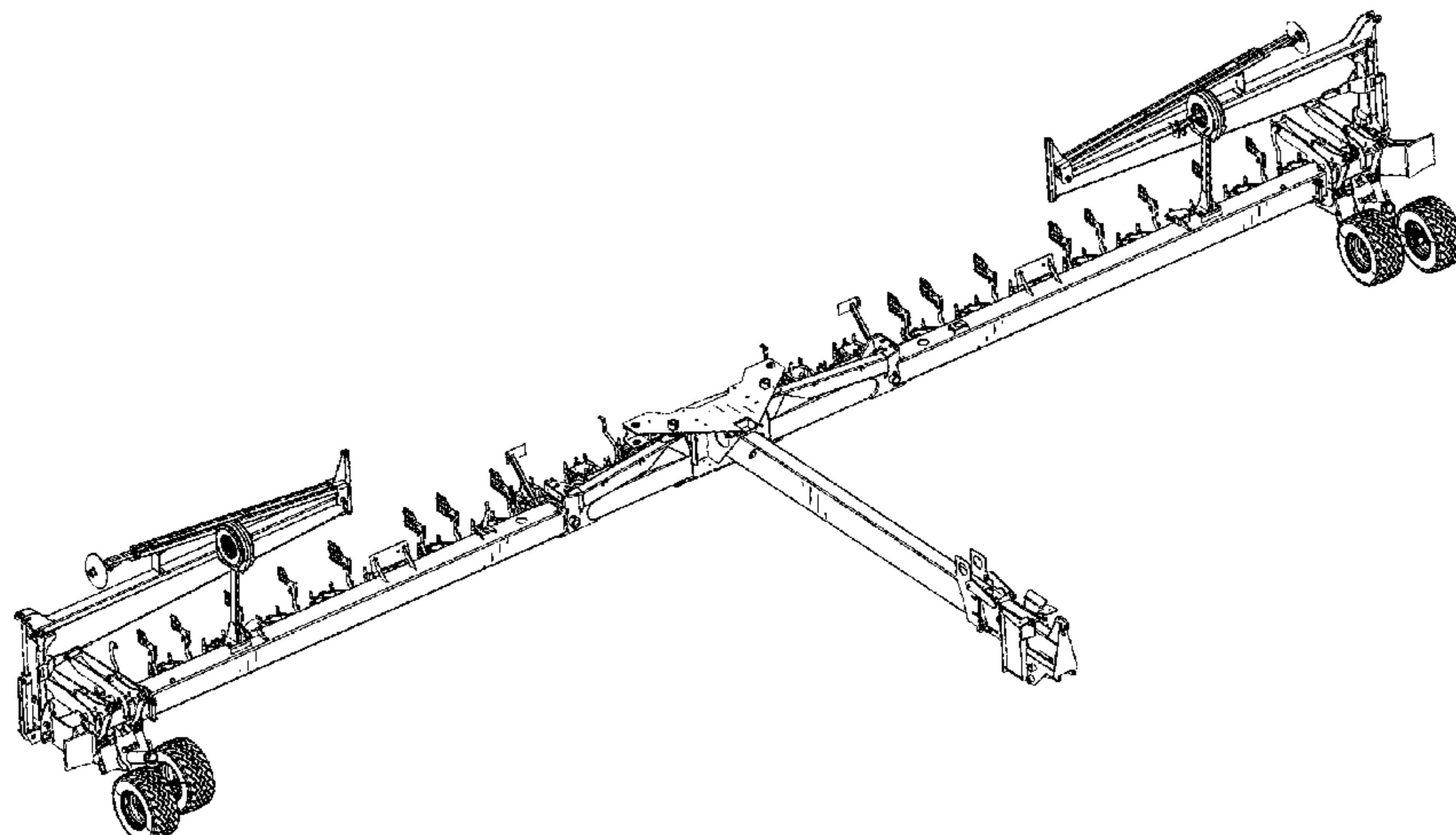


FIG. 8 is a perspective view of the planter with markers in an extended position.

**1 Claim, 7 Drawing Sheets**

(56) **References Cited**

U.S. PATENT DOCUMENTS

|              |      |        |              |                        |
|--------------|------|--------|--------------|------------------------|
| 2003/0164126 | A1 * | 9/2003 | Paluch ..... | A01C 7/06<br>111/57    |
| 2003/0164127 | A1 * | 9/2003 | Paluch ..... | A01B 61/044<br>111/200 |
| 2009/0178600 | A1 * | 7/2009 | Horn .....   | A01C 15/006<br>111/52  |
| 2009/0199750 | A1 * | 8/2009 | Rice .....   | A01C 19/04<br>111/52   |
| 2009/0229501 | A1 * | 9/2009 | Jaime .....  | A01B 73/065<br>111/55  |
| 2010/0126743 | A1 * | 5/2010 | Poole .....  | A01B 73/065<br>172/311 |
| 2010/0126744 | A1 * | 5/2010 | Poole .....  | A01B 73/065<br>172/311 |

\* cited by examiner

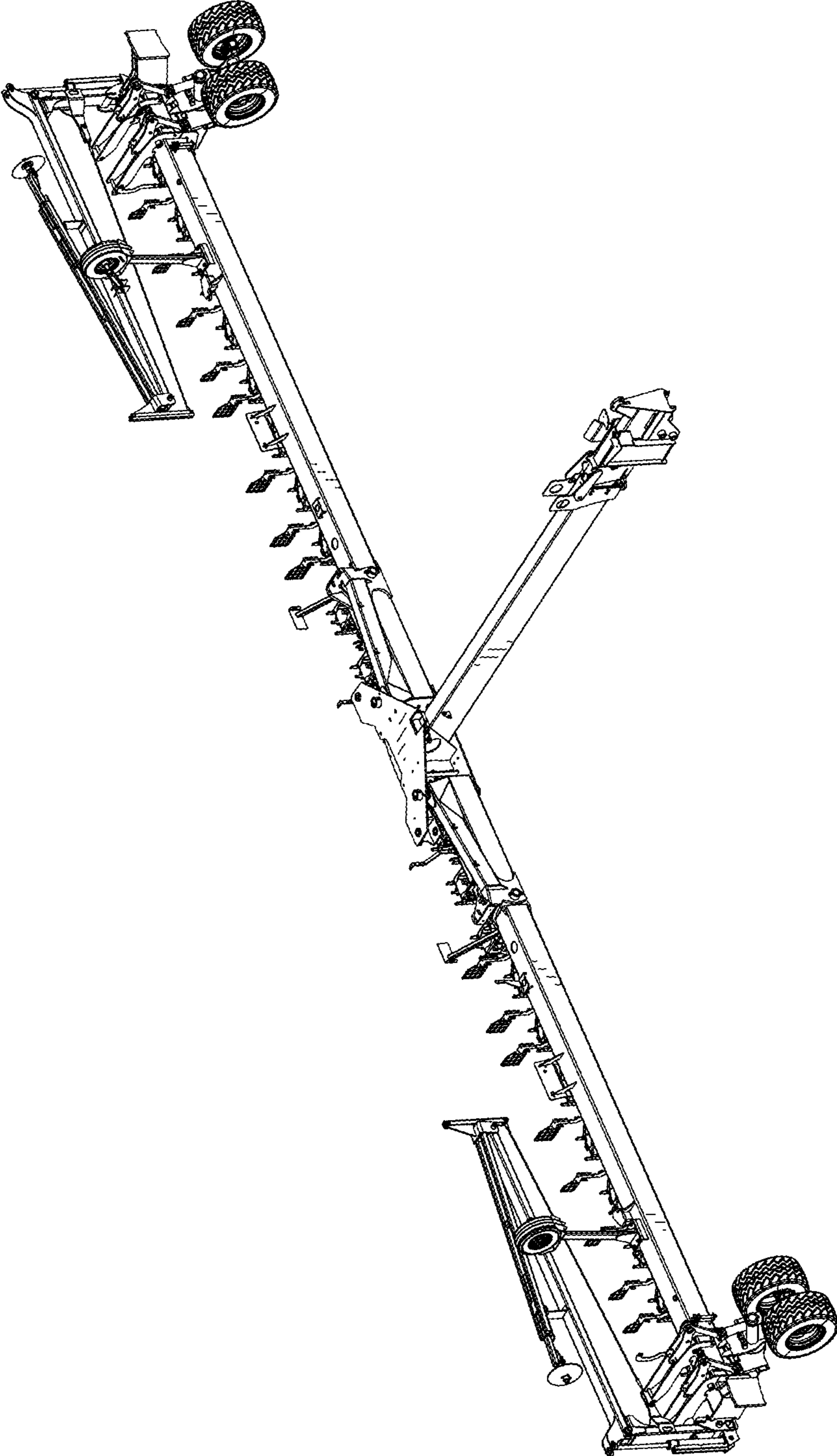


FIG. 1

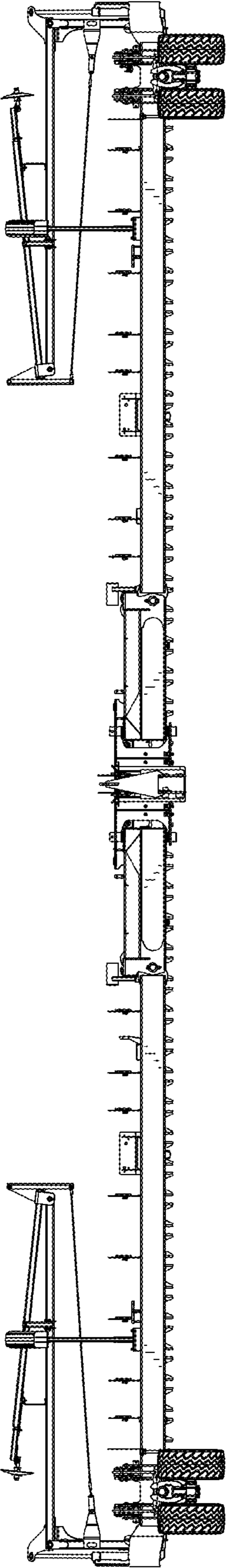


FIG. 2

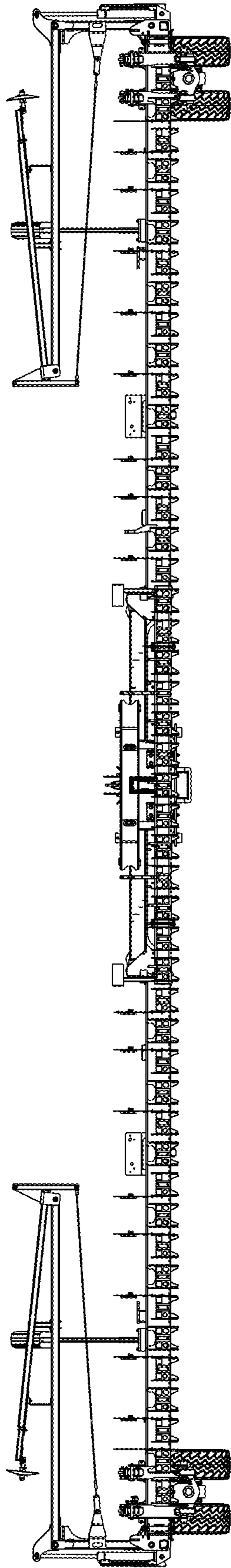


FIG. 3

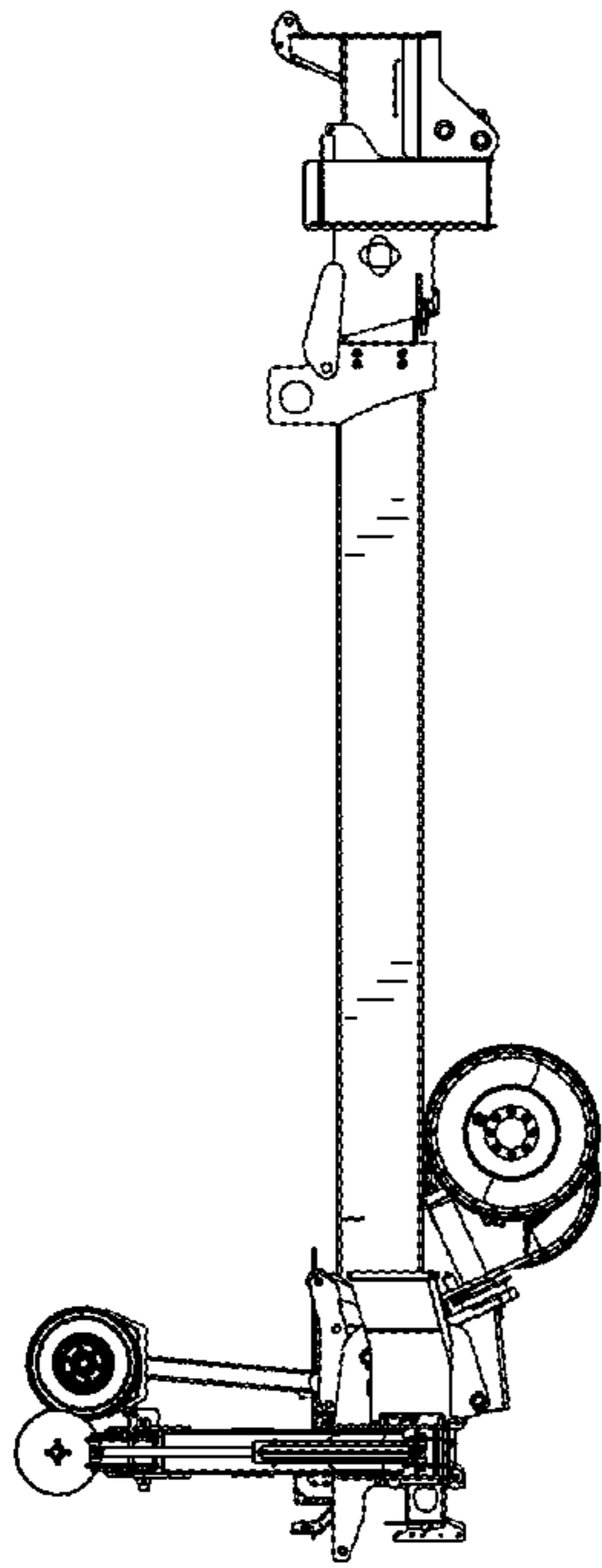


FIG. 4

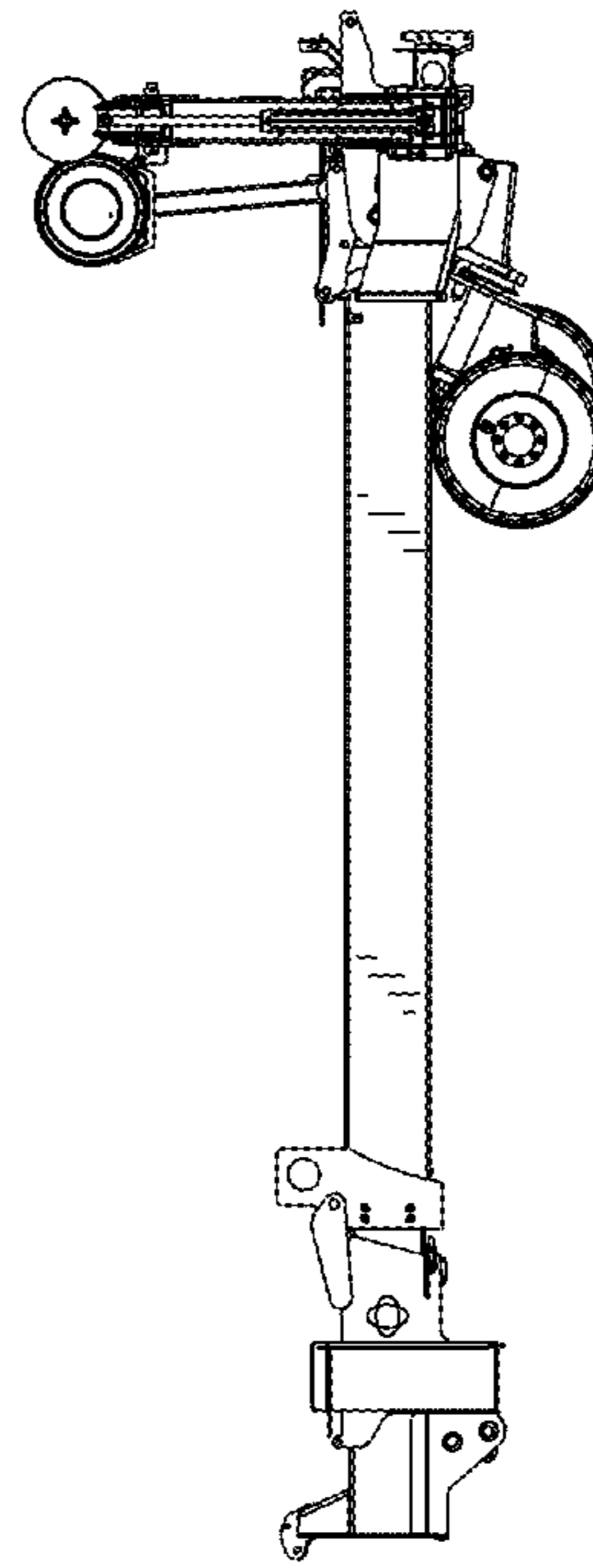


FIG. 5

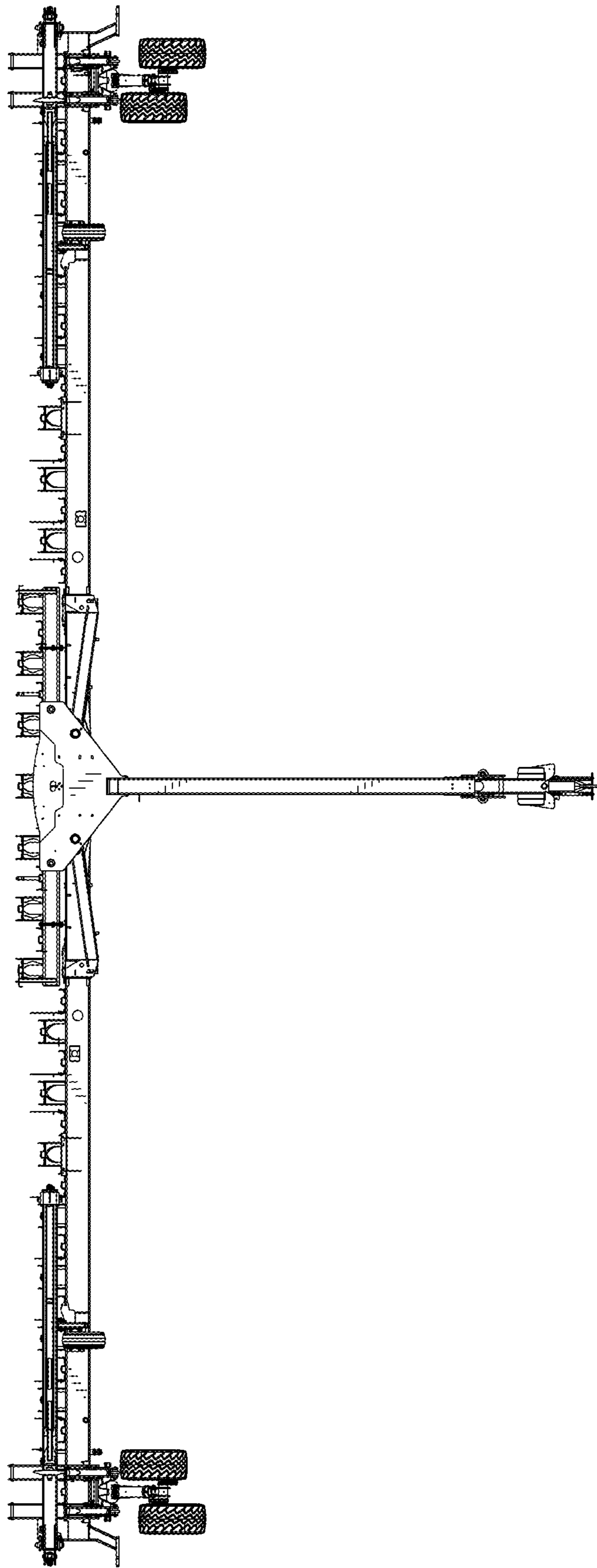


FIG. 6

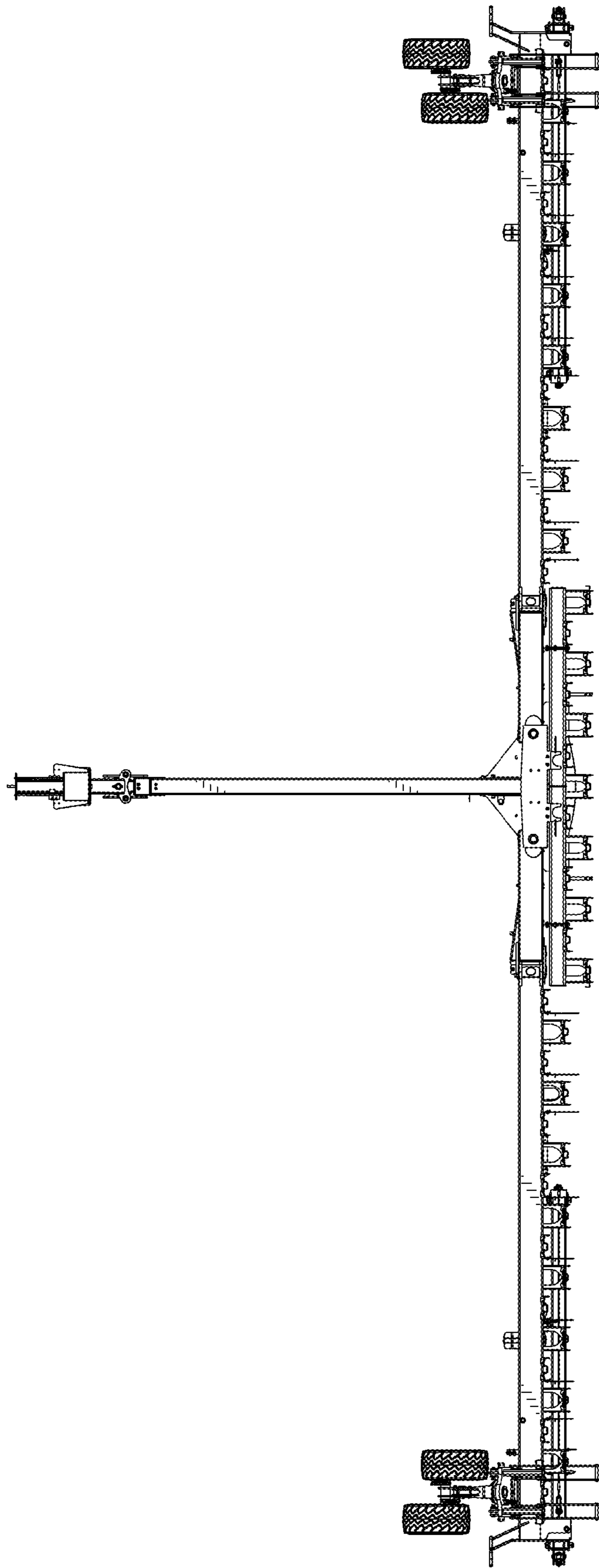


FIG. 7



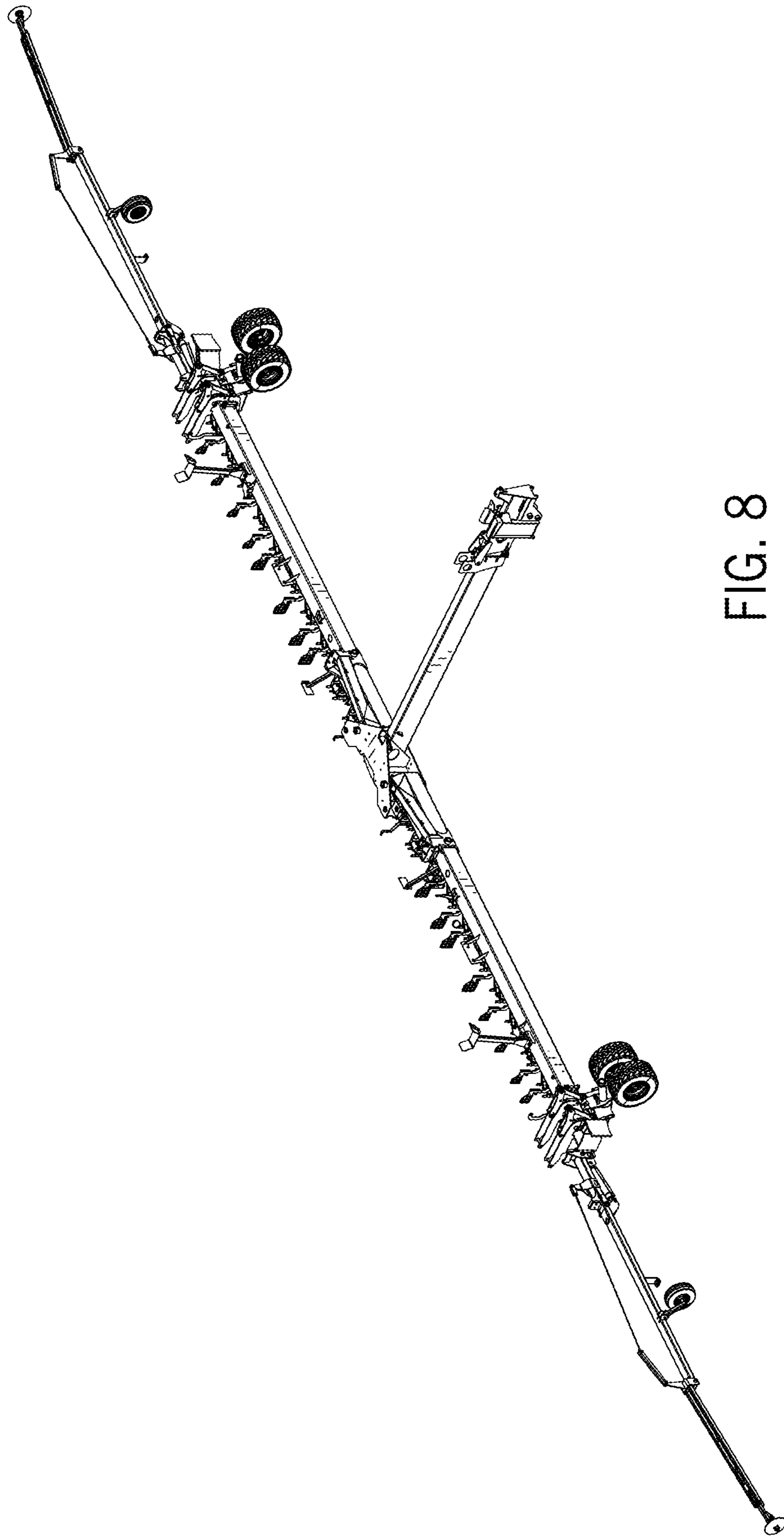


FIG. 8