



US00D880533S

(12) **United States Design Patent**
Major et al.

(10) **Patent No.:** **US D880,533 S**

(45) **Date of Patent:** **** Apr. 7, 2020**

(54) **MOTOR GRADER**

(71) Applicant: **Guangxi LiuGong Machinery Co., Ltd.**, Liuzhou Guangxi (CN)

(72) Inventors: **Gary Major**, Stoke-on-Trent (GB); **Richard Killgren**, Stoke-on-Trent (GB); **Edward Wagner**, Liuzhou Guangxi (CN)

(73) Assignee: **Guangxi LiuGong Machinery Co., Ltd.**, Liuzhou, Guangxi (CN)

(**) Term: **15 Years**

(21) Appl. No.: **29/671,137**

(22) Filed: **Nov. 23, 2018**

(51) **LOC (12) Cl.** **12-09**

(52) **U.S. Cl.**

USPC **D15/23**

(58) **Field of Classification Search**

USPC D15/10, 21–26, 30–33; 172/782, 783, 172/781, 792, 788, 799.5, 784, 787

CPC ... E02F 3/636; E02F 3/76; E02F 3/764; E02F 3/765; E02F 3/00; E02F 3/7636; E02F 3/0841; E02F 3/08

See application file for complete search history.

(56) **References Cited**

U.S. PATENT DOCUMENTS

3,527,315	A *	9/1970	Hampton	E02F 3/7636
					180/238
3,858,661	A *	1/1975	Hallam	E02F 3/764
					172/1
4,213,507	A *	7/1980	Horrer	E02F 3/7604
					172/784
D275,107	S *	8/1984	Crabiel	D15/25
D548,752	S *	8/2007	Merghani	D15/23
D549,743	S *	8/2007	Merghani	D15/23
D557,711	S *	12/2007	Merghani	D15/23

D568,906	S *	5/2008	Merghani	D15/23
D593,582	S *	6/2009	Ono	D15/23
D594,035	S *	6/2009	Ono	D15/23
D624,565	S *	9/2010	Rummer	D15/23
D624,566	S *	9/2010	Patkar	D15/23
D626,152	S *	10/2010	Patkar	D15/23

(Continued)

Primary Examiner — Mark A Goodwin

(74) *Attorney, Agent, or Firm* — Young Basile Hanlon & MacFarlane, P.C.

(57) **CLAIM**

The ornamental design for a motor grader, as shown and described.

DESCRIPTION

FIG. 1 is a left elevation view of a motor grader showing our new design.

FIG. 2 is a right elevation view of the motor grader of FIG. 1.

FIG. 3 is an upper, left, rear perspective view of the motor grader of FIG. 1.

FIG. 4 is an upper, left, front perspective view of the motor grader of FIG. 1.

FIG. 5 is an upper, right, rear perspective view of the motor grader of FIG. 1.

FIG. 6 is an upper, right, front perspective view of the motor grader of FIG. 1.

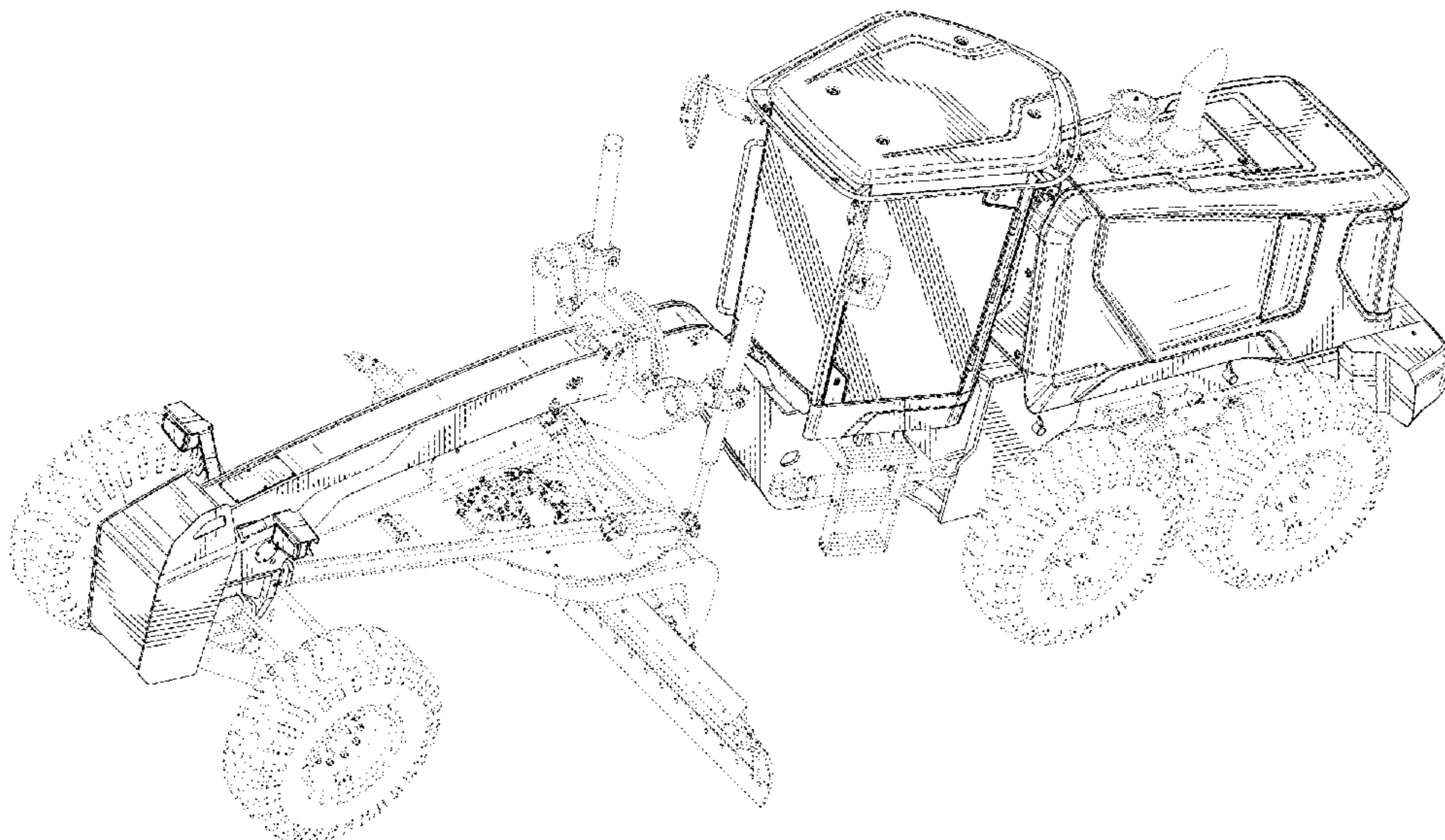
FIG. 7 is a front elevation view of the motor grader of FIG. 1.

FIG. 8 is a rear elevation view of the motor grader of FIG. 1.

FIG. 9 is a top plan view of the motor grader of FIG. 1; and, FIG. 10 is a bottom plan view of the motor grader of FIG. 1.

The ornamental design which is claimed is shown in solid lines in the drawings. The broken lines in the drawings illustrate unclaimed portions of the motor grader and form no part of the claimed design.

1 Claim, 10 Drawing Sheets



(56)

References Cited

U.S. PATENT DOCUMENTS

2003/0221845 A1* 12/2003 Takahashi E02F 9/2246
172/3
2014/0311132 A1* 10/2014 Arai E02F 3/764
60/286
2019/0338495 A1* 11/2019 Harada E02F 3/80

* cited by examiner

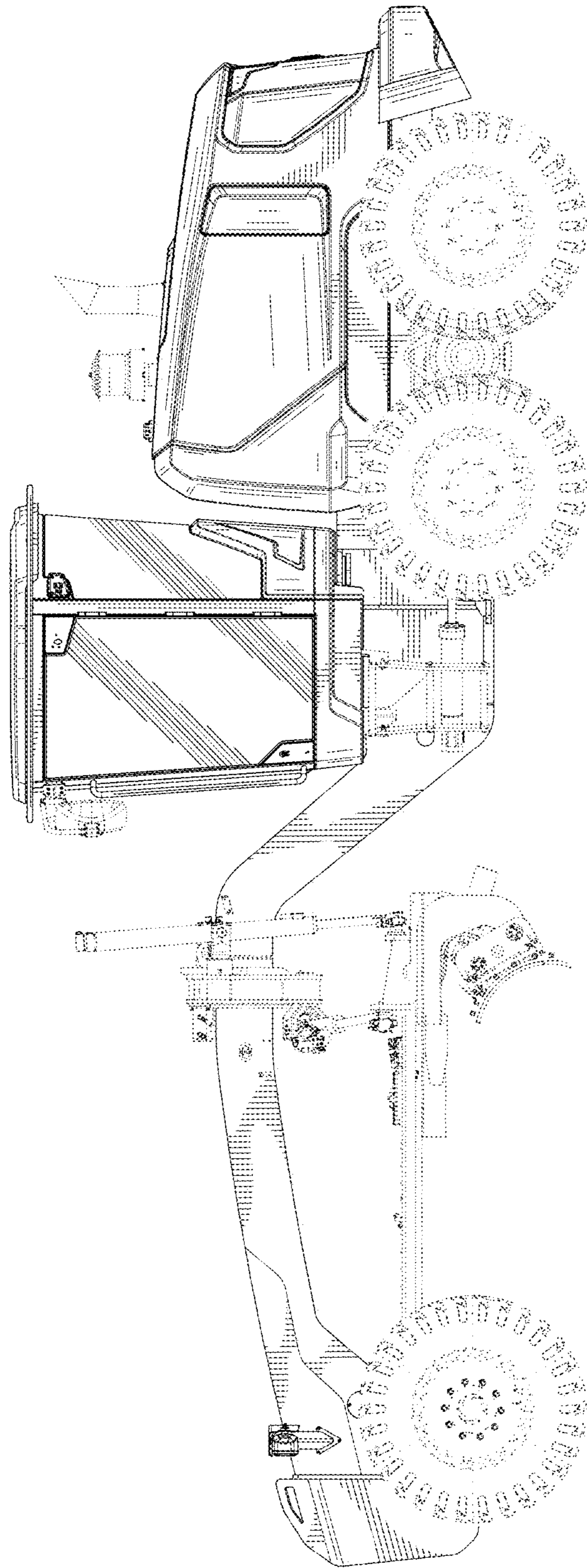


FIG. 1

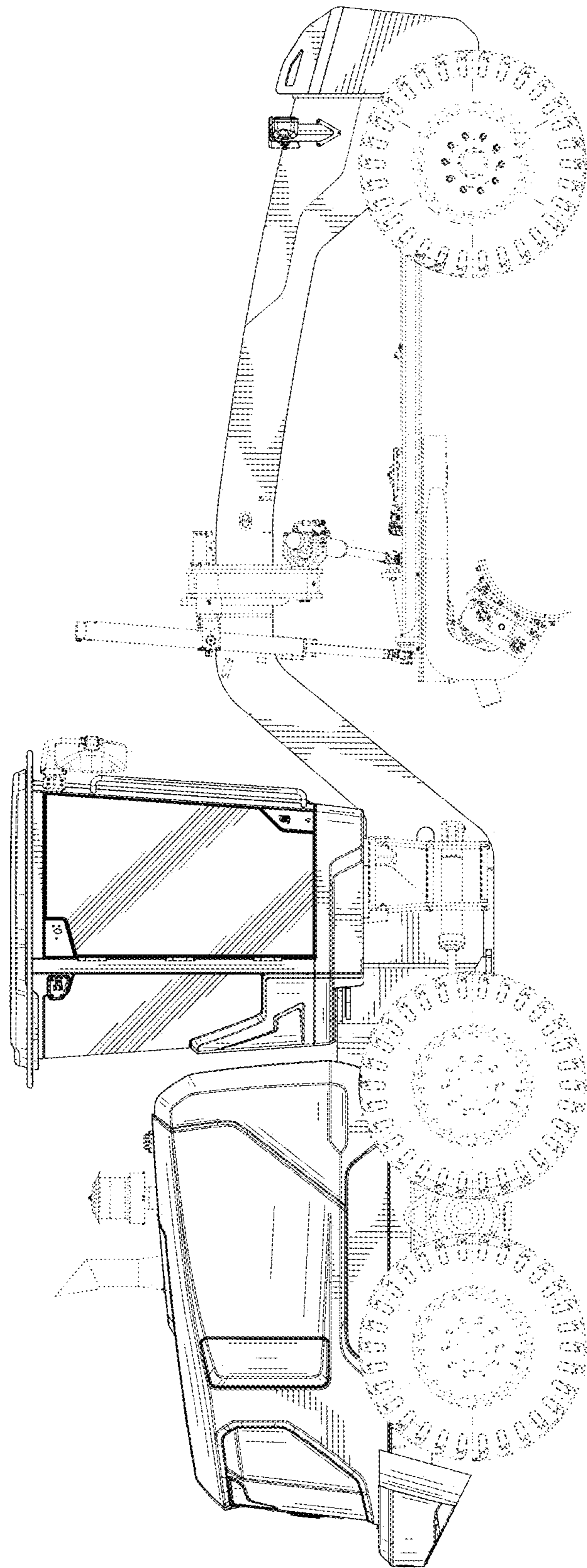


FIG. 2

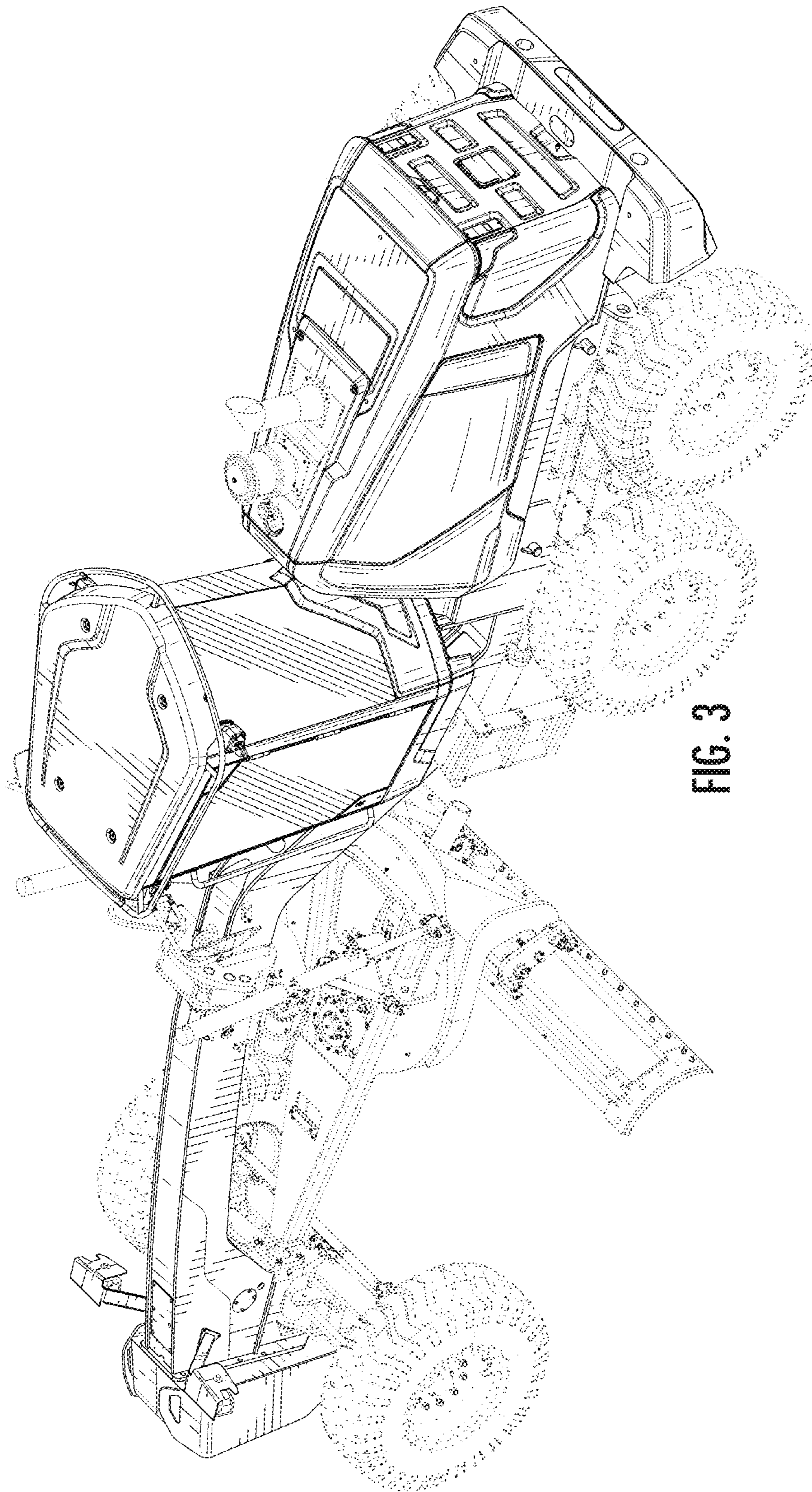


FIG. 3

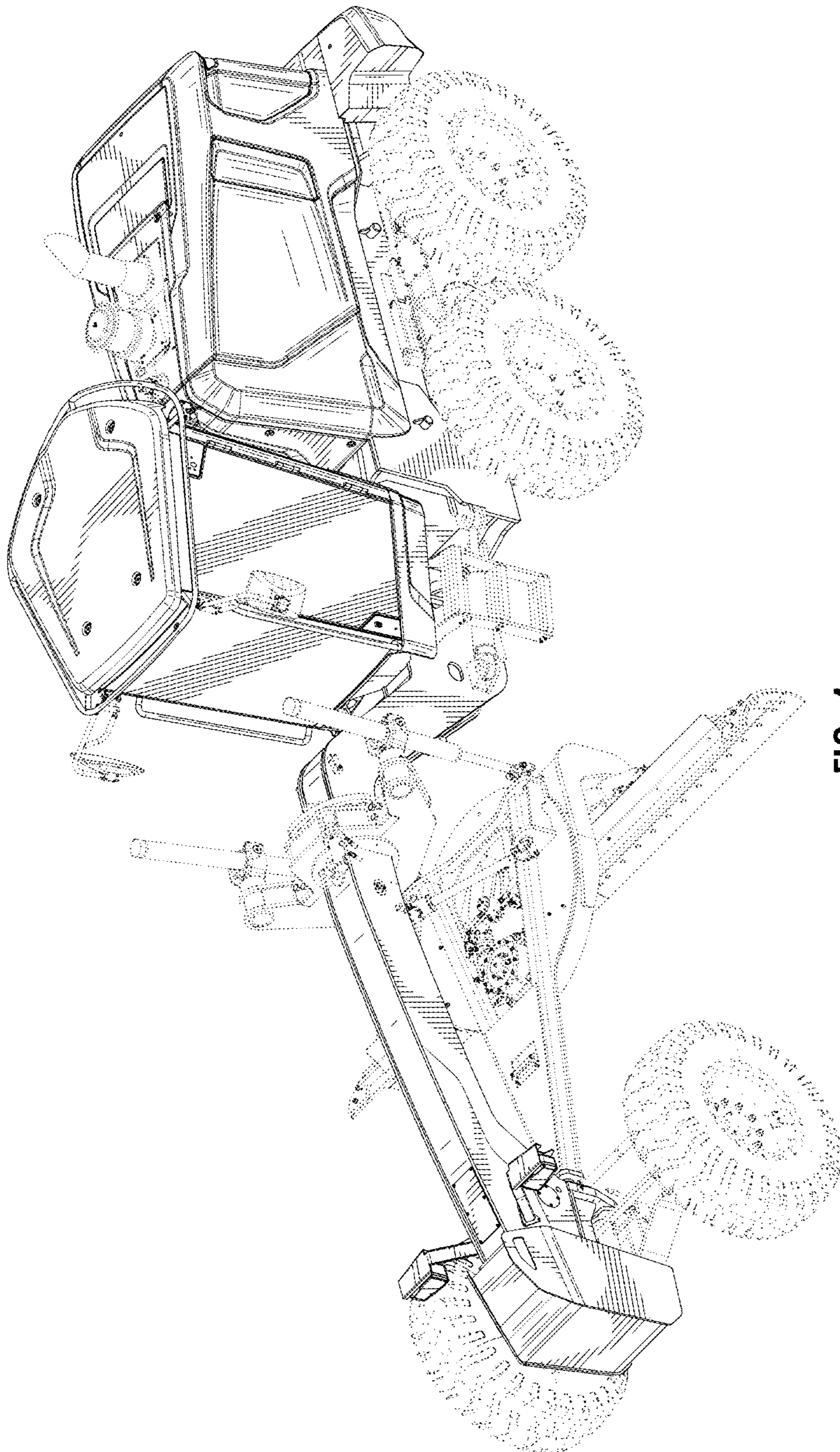


FIG. 4

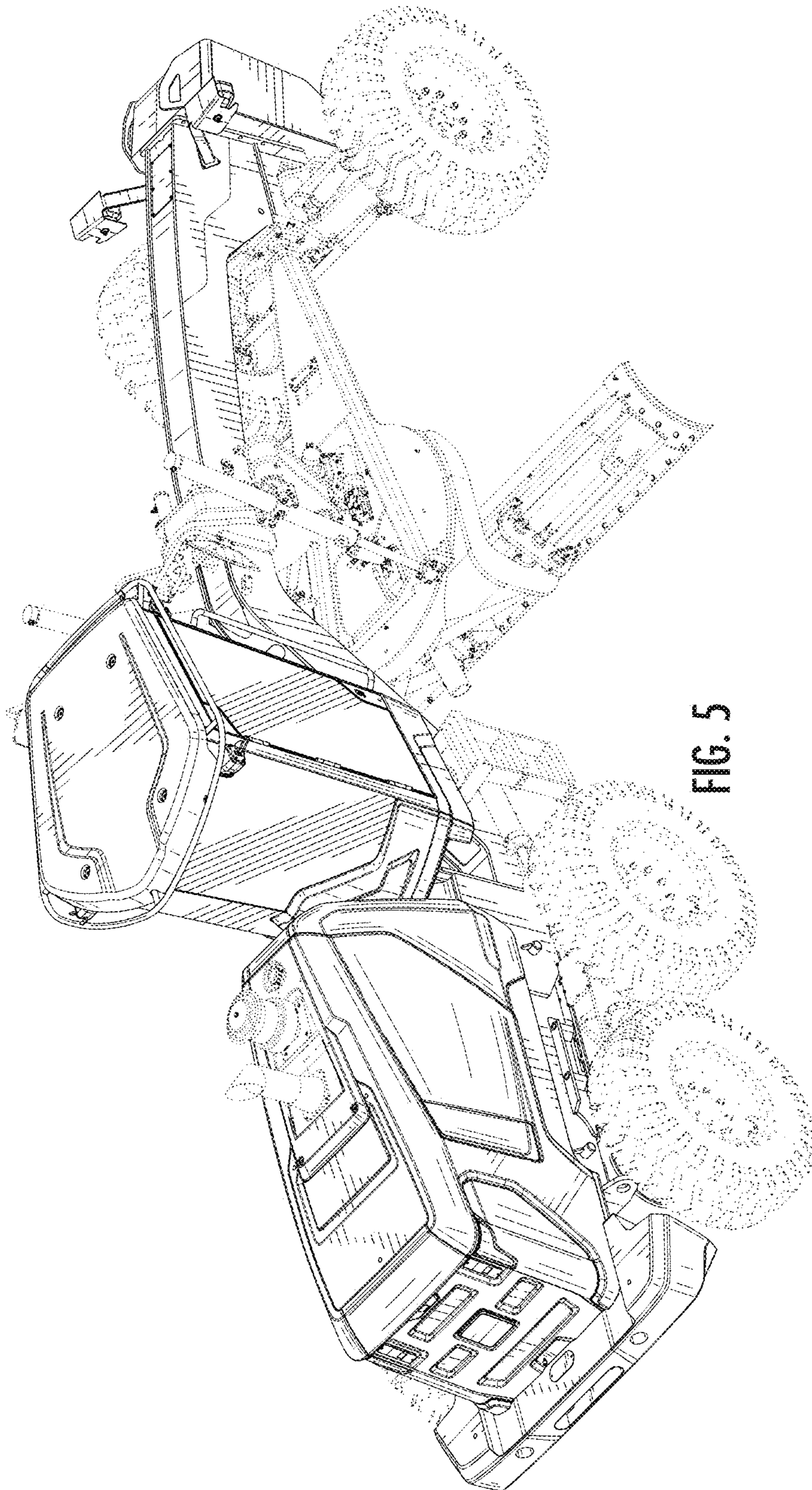


FIG. 5

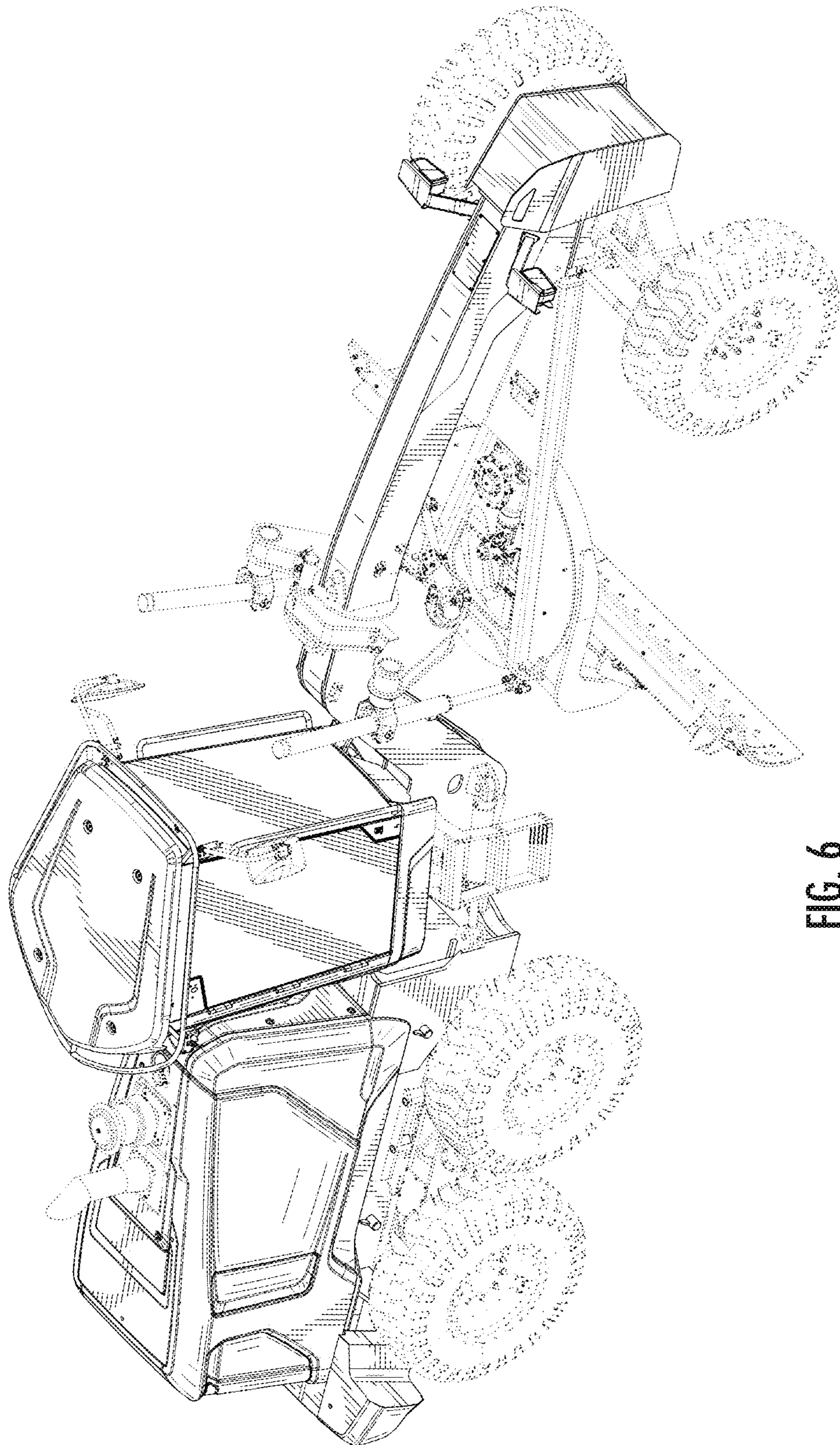


FIG. 6

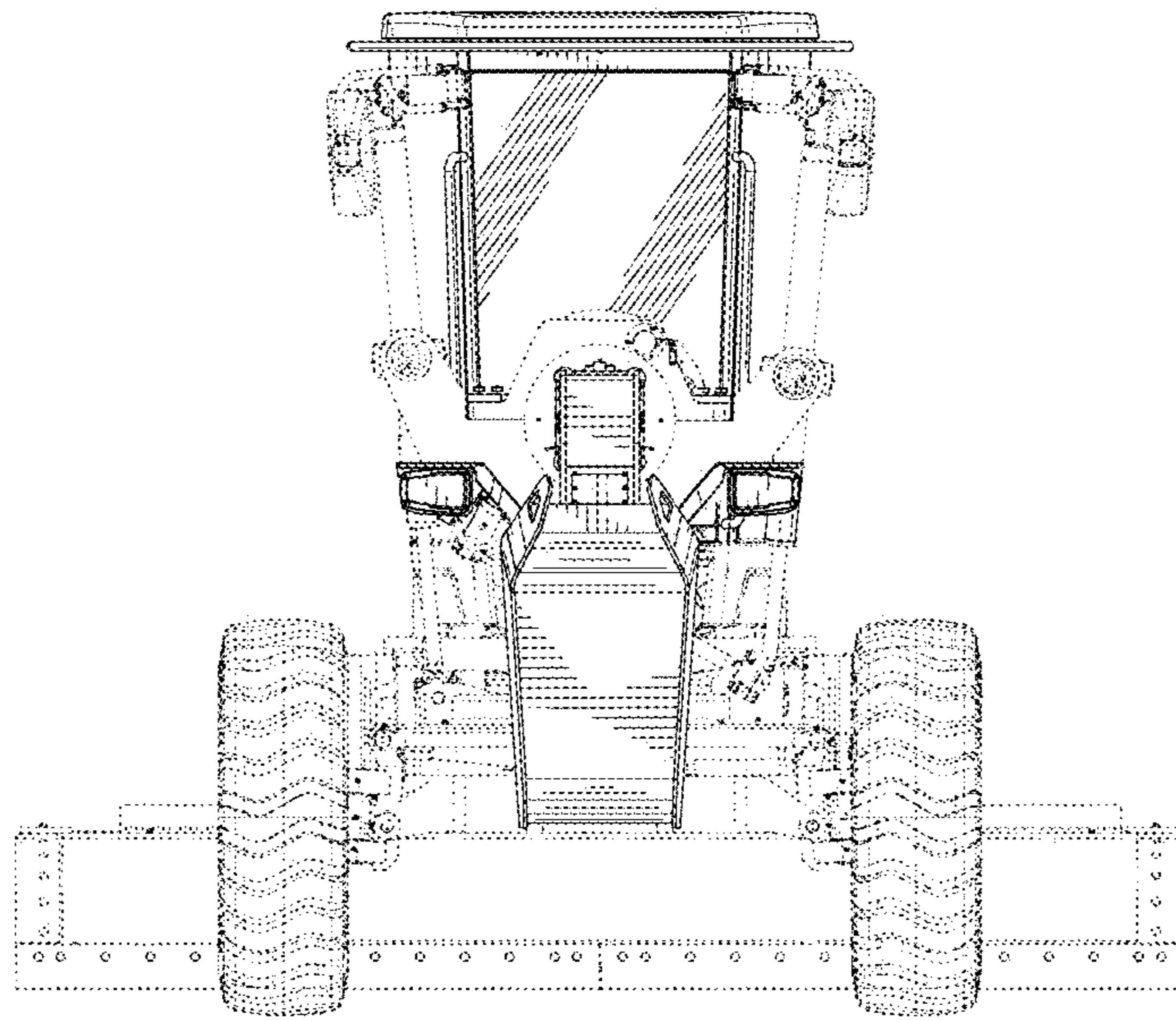


FIG. 7

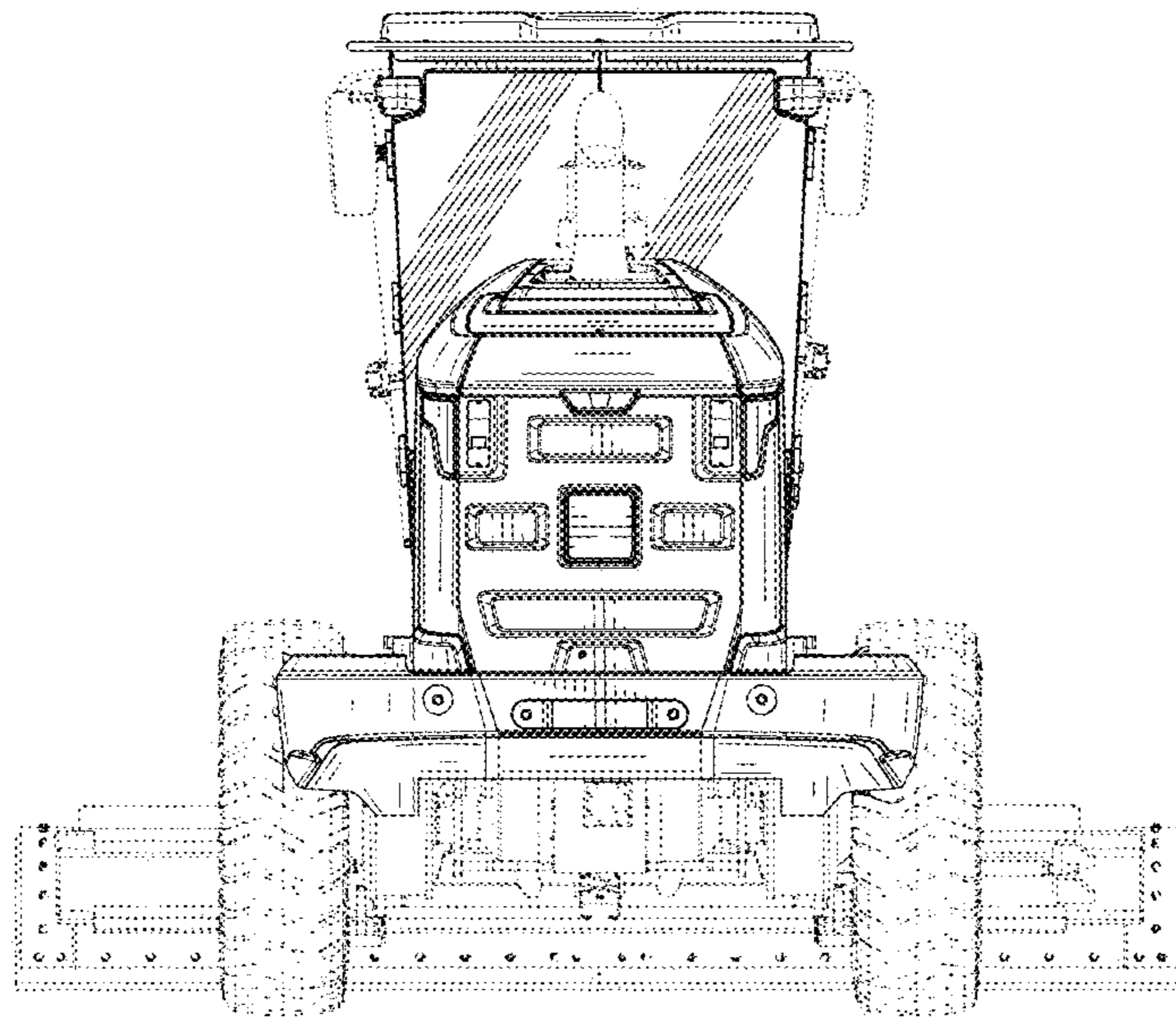
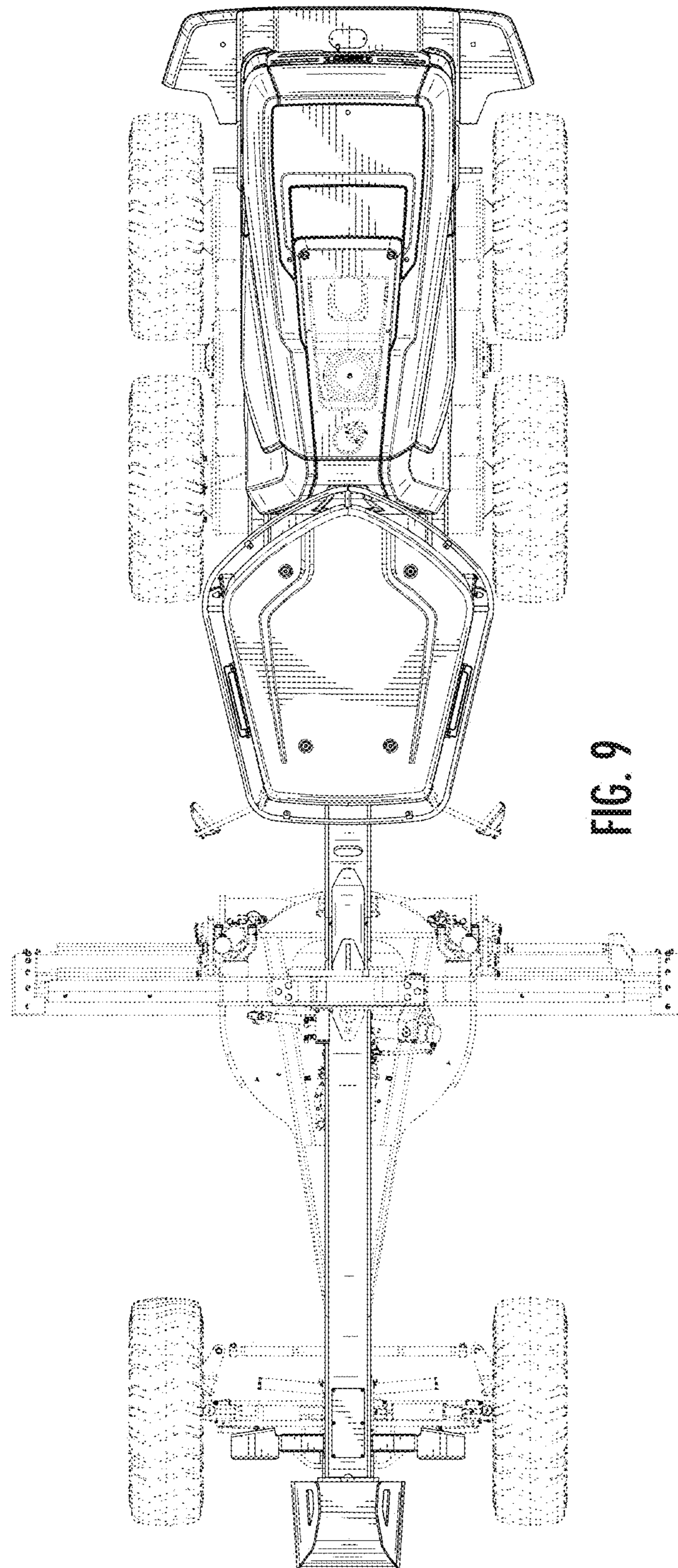


FIG. 8



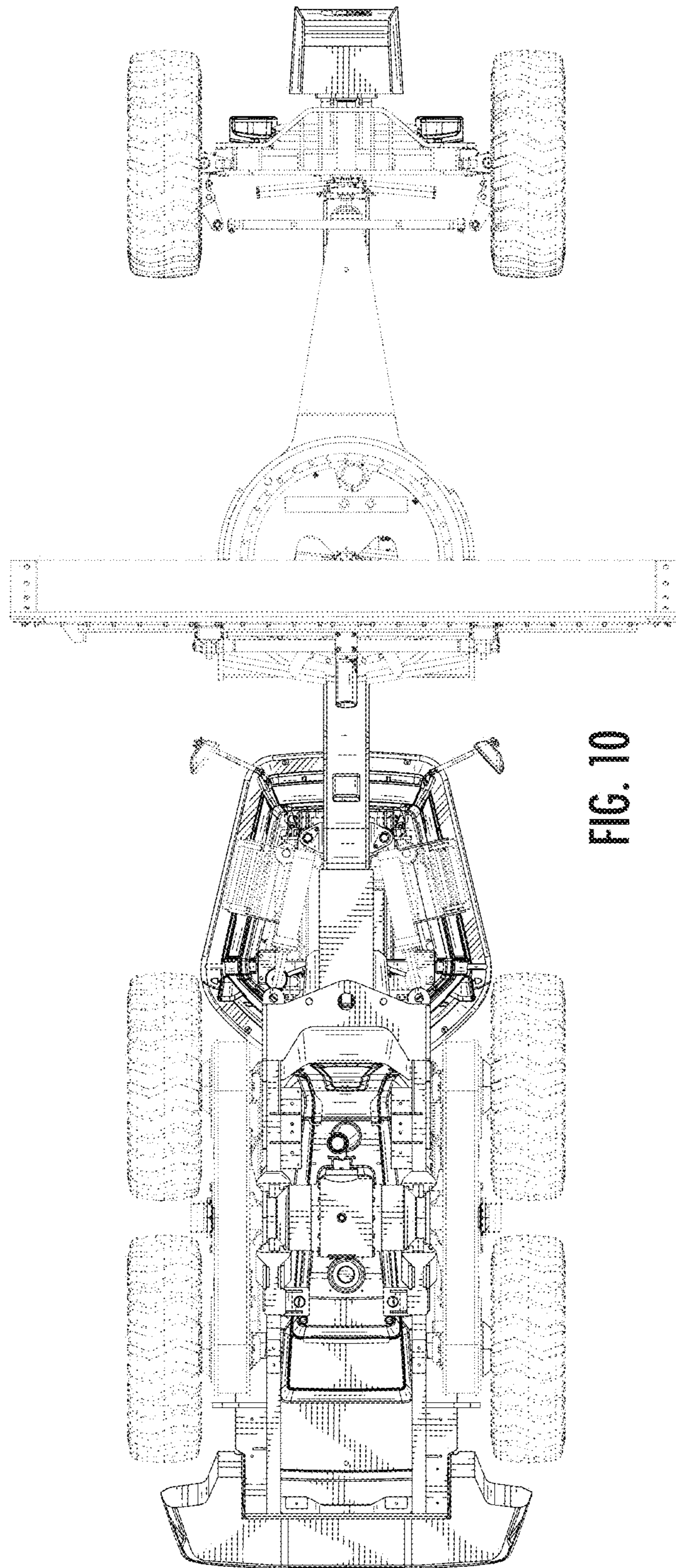


FIG. 10