



US00D880532S

(12) **United States Design Patent**  
**Gunnarsson et al.**

(10) **Patent No.:** **US D880,532 S**

(45) **Date of Patent:** **\*\* Apr. 7, 2020**

(54) **ROBOTIC MOWER**

(71) Applicant: **HUSQVARNA AB**, Huskvarna (SE)

(72) Inventors: **Daniel Gunnarsson**, Danderyd (SE);  
**Tor Sigurdsson**, Stockholm (SE);  
**Rajinder Mehra**, Johanneshov (SE)

(73) Assignee: **Husqvarna AB**, Huskvarna (SE)

(\*\*) Term: **15 Years**

(21) Appl. No.: **29/671,006**

(22) Filed: **Nov. 21, 2018**

(30) **Foreign Application Priority Data**

May 25, 2018 (EM) ..... 005282126-0008

(51) **LOC (12) Cl.** ..... **15-03**

(52) **U.S. Cl.**  
USPC ..... **D15/14; D15/17**

(58) **Field of Classification Search**  
USPC ..... D15/14, 17, 18; 56/11.9, 17.5, 13.4,  
56/12.8, 16.7, 202, 255, 294, 295, 320.1,  
56/320.2; 180/900, 89.1, 89.12  
CPC .... A01D 34/008; A01D 34/81; A01D 34/416;  
A01D 34/4166; A01D 34/4167; A01D  
34/87; A01D 34/90; B60L 1/003; B60L  
3/0061; B60L 11/1803; B60L 11/1805;  
B60L 11/1877; B60L 15/20; B60L  
2260/28; B60L 2200/40; B60L 2220/16;  
B60L 2220/46; B60L 2240/36; B60L  
2240/421; A01G 3/04; A01G 3/0435  
See application file for complete search history.

(56) **References Cited**

**U.S. PATENT DOCUMENTS**

D420,365 S \* 2/2000 Gunnar ..... D15/14  
D451,931 S \* 12/2001 Abramson ..... D15/14

D489,381 S 5/2004 Mistry et al.  
D504,901 S \* 5/2005 Wickstrom ..... D15/14  
D527,772 S 9/2006 Bowen et al.  
D559,867 S \* 1/2008 Abramson ..... D15/14  
D639,351 S 6/2011 Newmayer et al.  
D652,431 S \* 1/2012 Naslund ..... D15/14  
D656,163 S \* 3/2012 Johansson ..... D15/14  
D678,352 S \* 3/2013 Maeda ..... D15/14  
D679,294 S \* 4/2013 Tajik ..... D15/14  
D679,295 S \* 4/2013 Tajik ..... D15/14  
D681,065 S \* 4/2013 Maeda ..... D15/14  
D688,276 S \* 8/2013 Naslund ..... D15/14  
D718,339 S \* 11/2014 Damshak ..... D15/14  
D729,280 S \* 5/2015 Naslund ..... D15/14  
D745,897 S \* 12/2015 Mehra ..... D15/14  
D777,798 S 1/2017 Yetkin et al.  
D781,926 S \* 3/2017 Al-Hashimi ..... D15/14  
D782,552 S 3/2017 Casadio et al.  
D796,555 S 9/2017 Landberg et al.  
D803,765 S 11/2017 Bei et al.  
D830,418 S 10/2018 Naslund

(Continued)

*Primary Examiner* — Mark A Goodwin

(74) *Attorney, Agent, or Firm* — Burr & Forman LLP

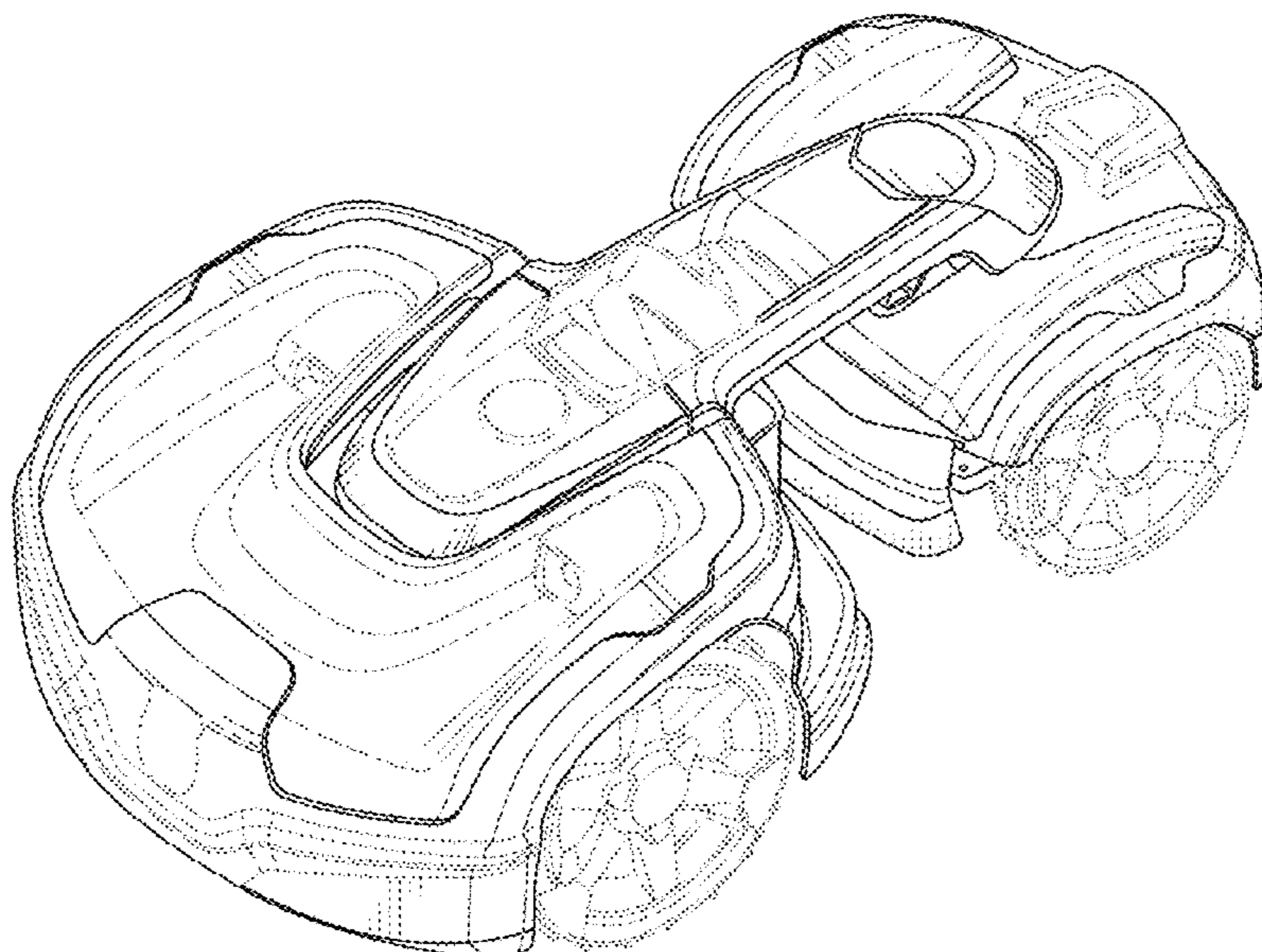
(57) **CLAIM**

The ornamental design for the robotic mower, as shown and described.

**DESCRIPTION**

FIG. 1 is a perspective view of a robotic mower in accordance with an embodiment of the present invention; FIG. 2 is a back view of the robotic mower of FIG. 1; FIG. 3 is a front view of the robotic mower of FIG. 1; FIG. 4 is a left side view of the robotic mower of FIG. 1; FIG. 5 is a right side view of the robotic mower of FIG. 1; FIG. 6 is a top view of the robotic mower of FIG. 1; and, FIG. 7 is a bottom view of the robotic mower of FIG. 1. The broken lines of the robotic mower in FIGS. 1-7 form no part of the claimed design.

**1 Claim, 7 Drawing Sheets**



(56)

**References Cited**

U.S. PATENT DOCUMENTS

D852,232 S	6/2019	Eidson et al.
D853,447 S	7/2019	Mehra et al.
D853,448 S	7/2019	Mehra et al.
D853,449 S	7/2019	Mehra et al.
D855,080 S	7/2019	Pajevic et al.
D861,737 S	10/2019	Hori et al.
D864,256 S	10/2019	Eidson et al.
D866,628 S	11/2019	Xi et al.
2011/0050374 A1	3/2011	Dvorak
2012/0088436 A1	4/2012	Grossman
2015/0375812 A1	12/2015	Bernini
2016/0001829 A1	1/2016	Albin et al.

\* cited by examiner

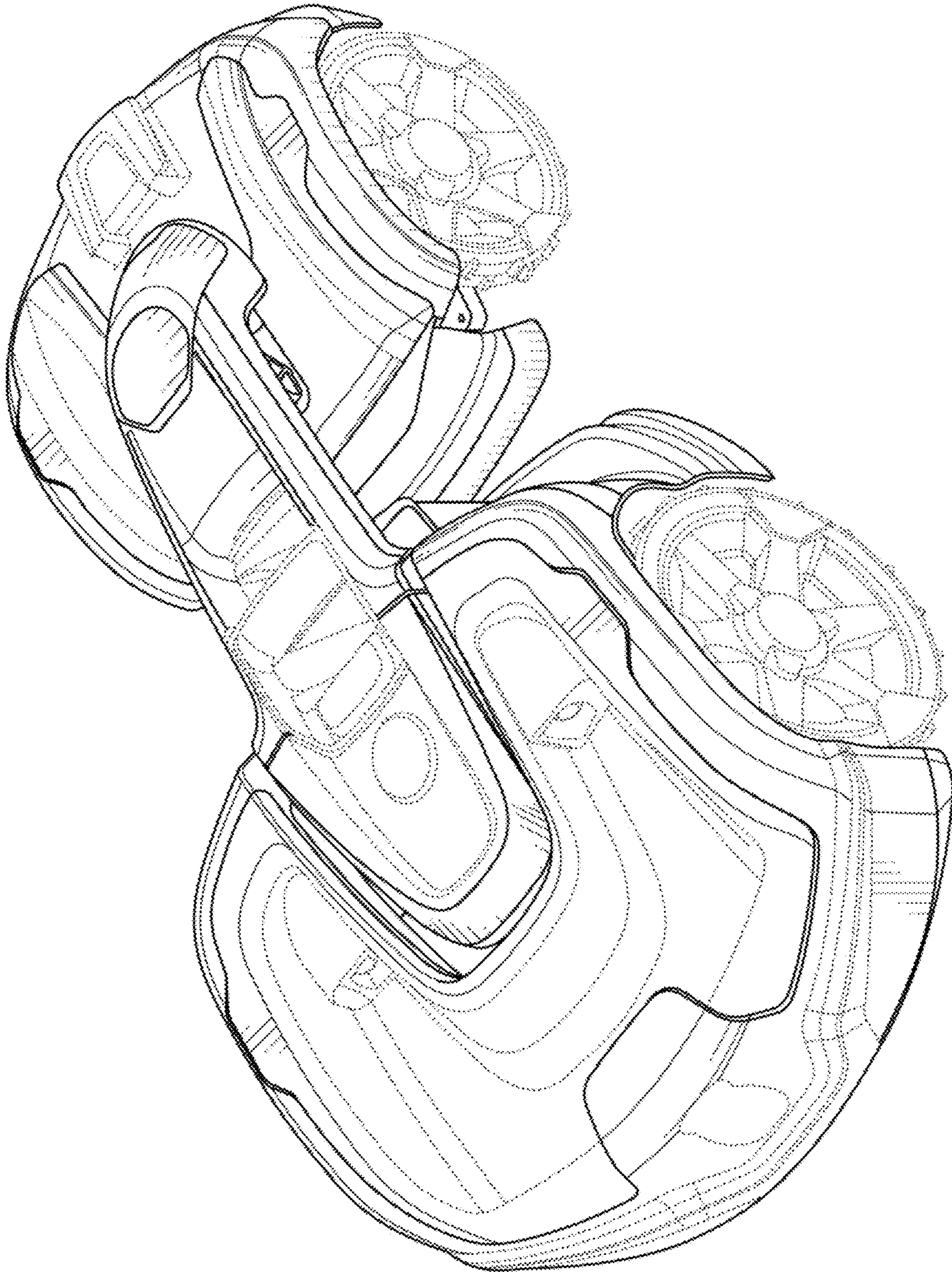


FIG. 1

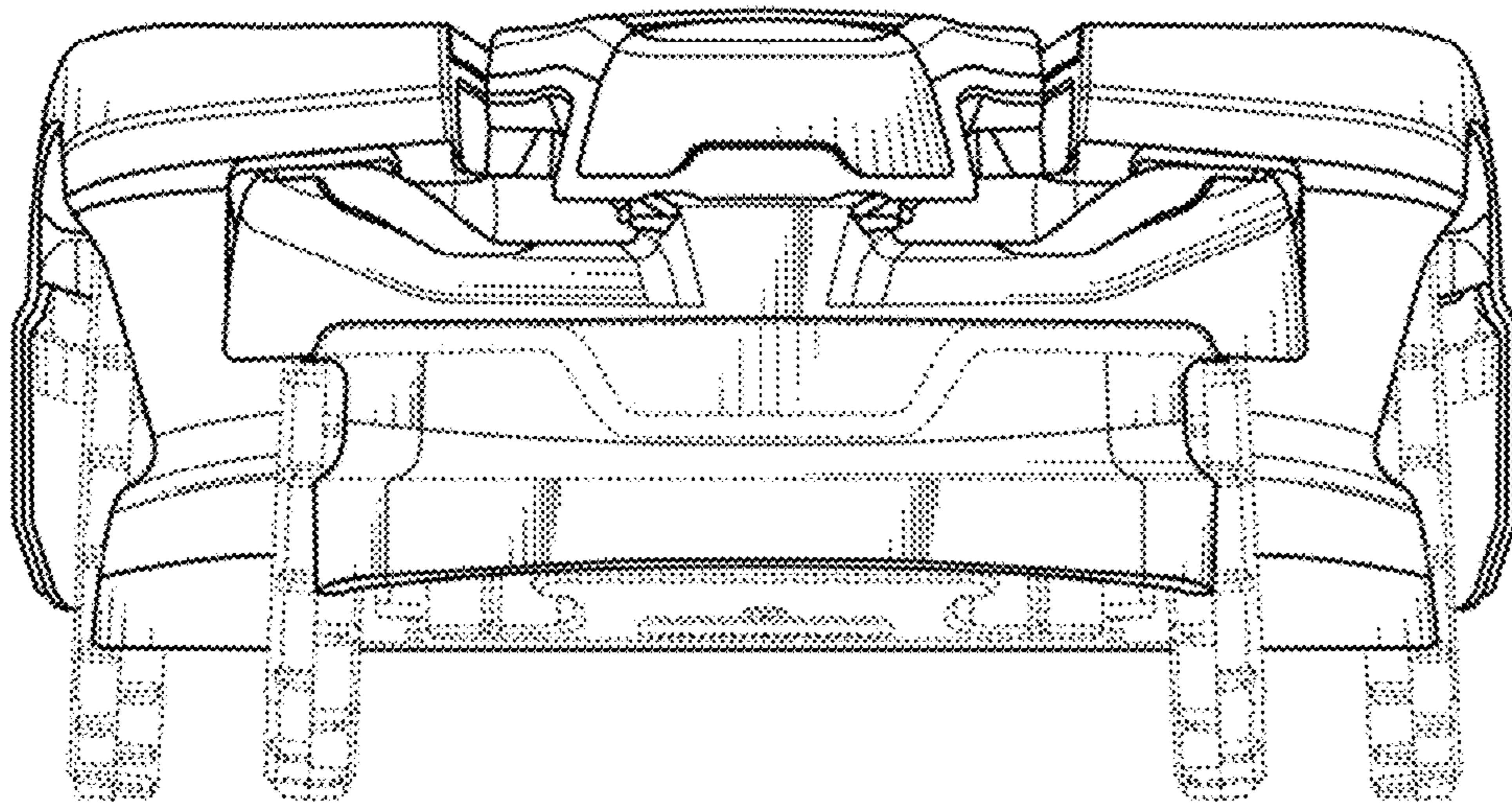


FIG. 2

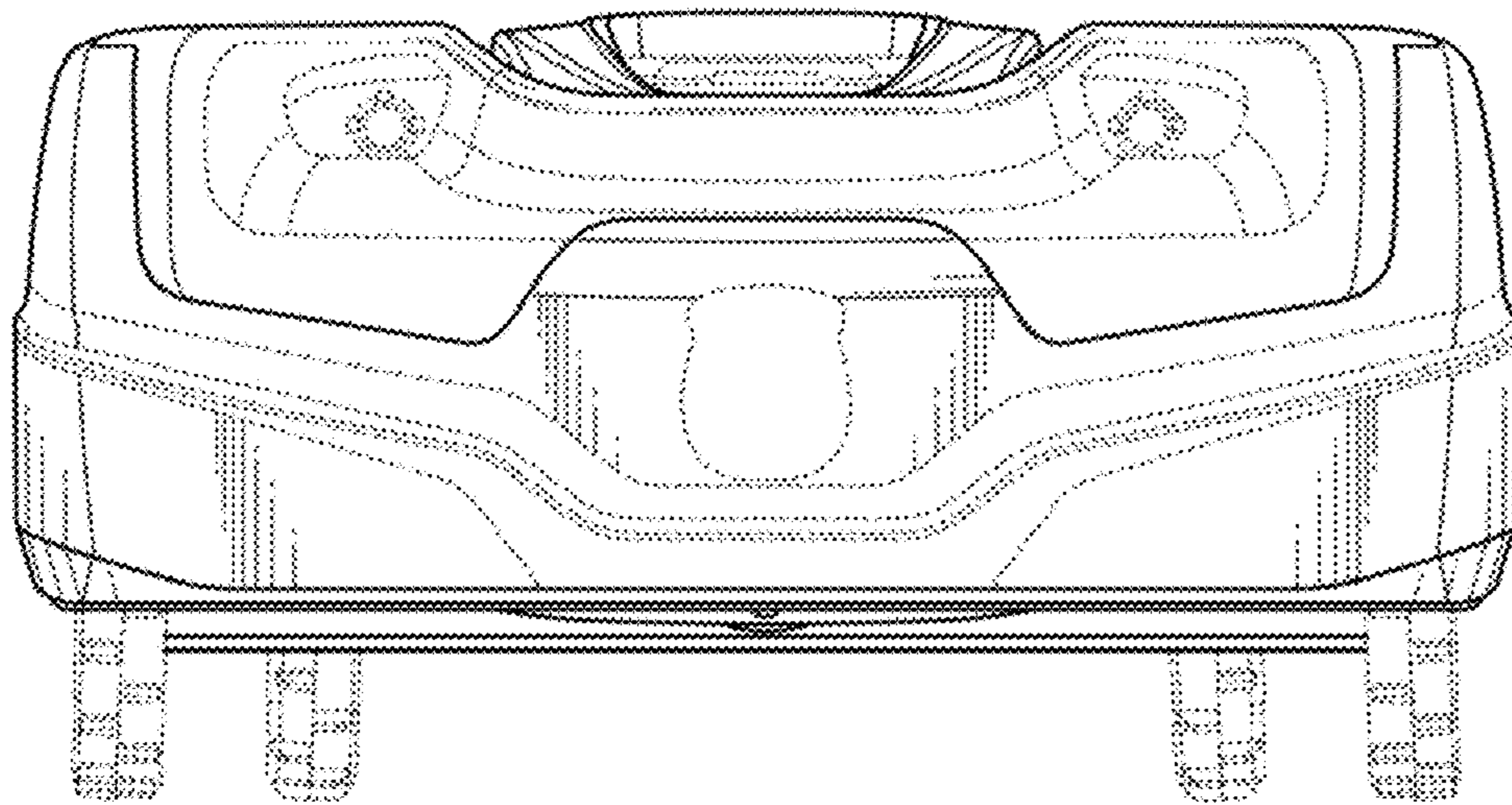


FIG. 3

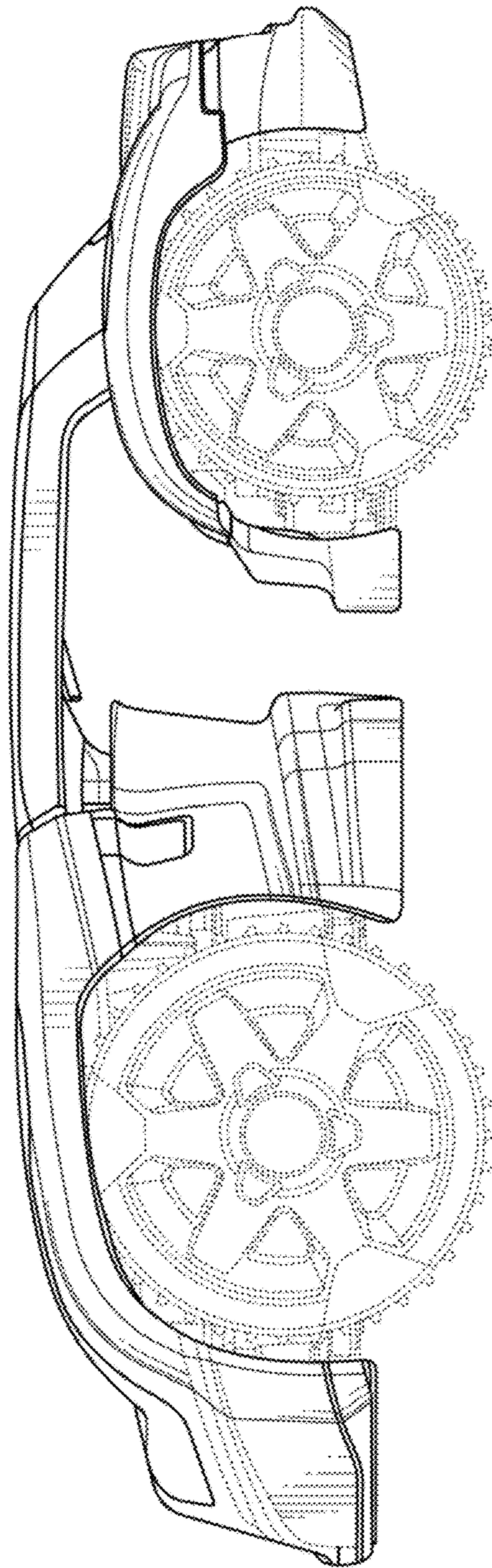


FIG. 4

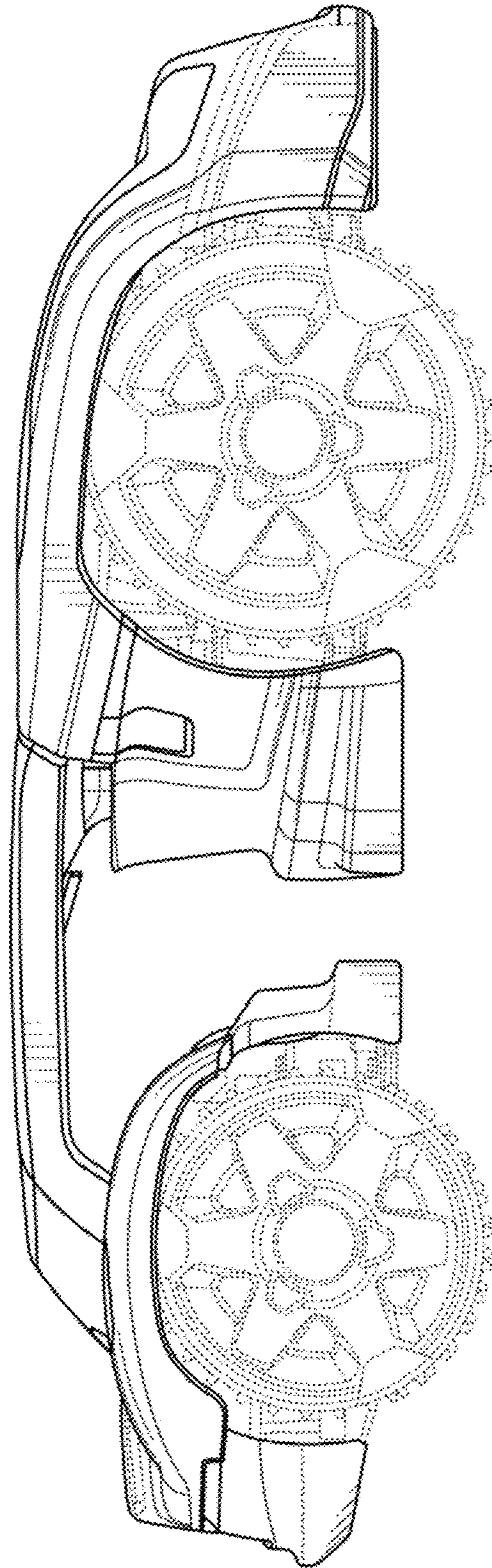


FIG. 5

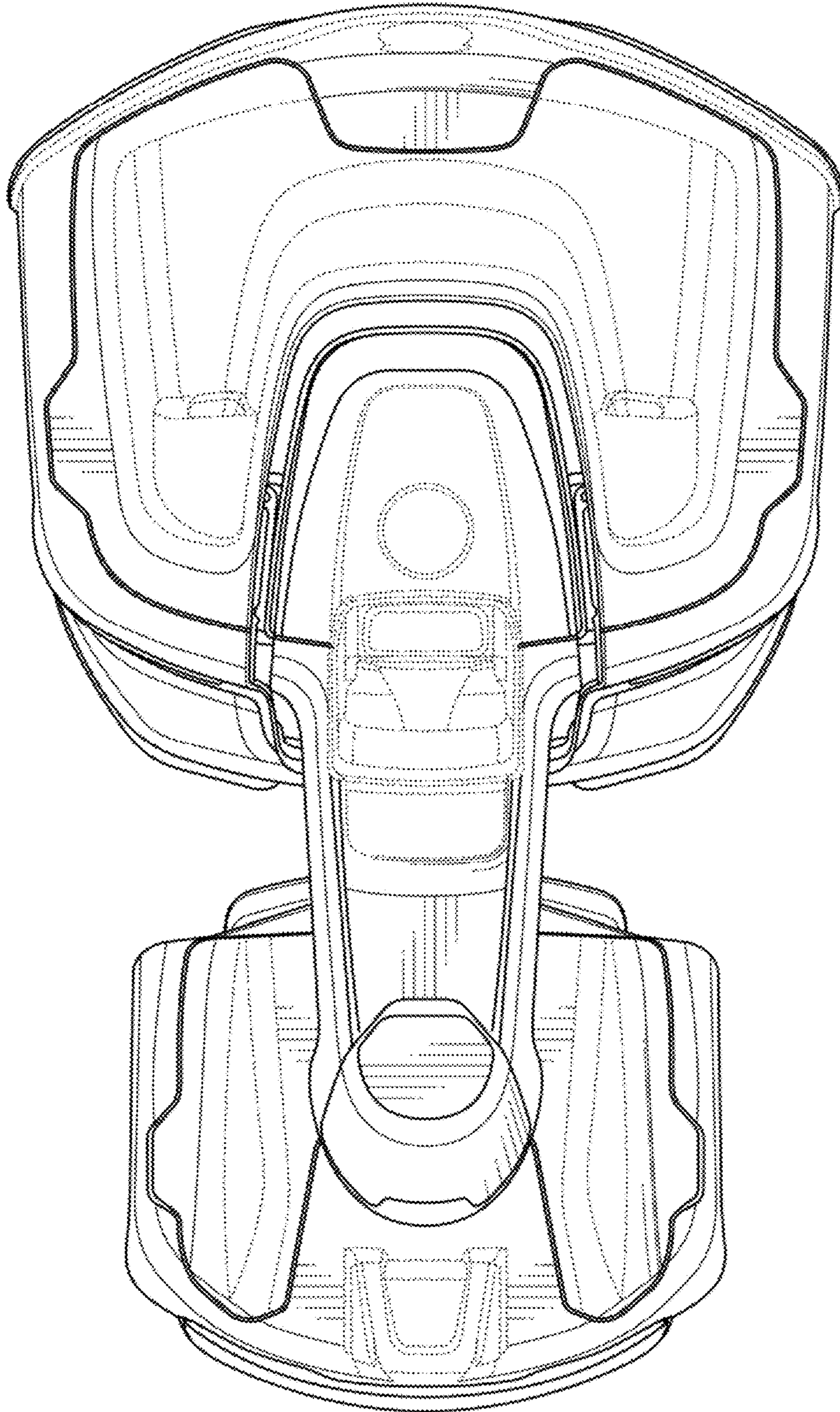


FIG. 6



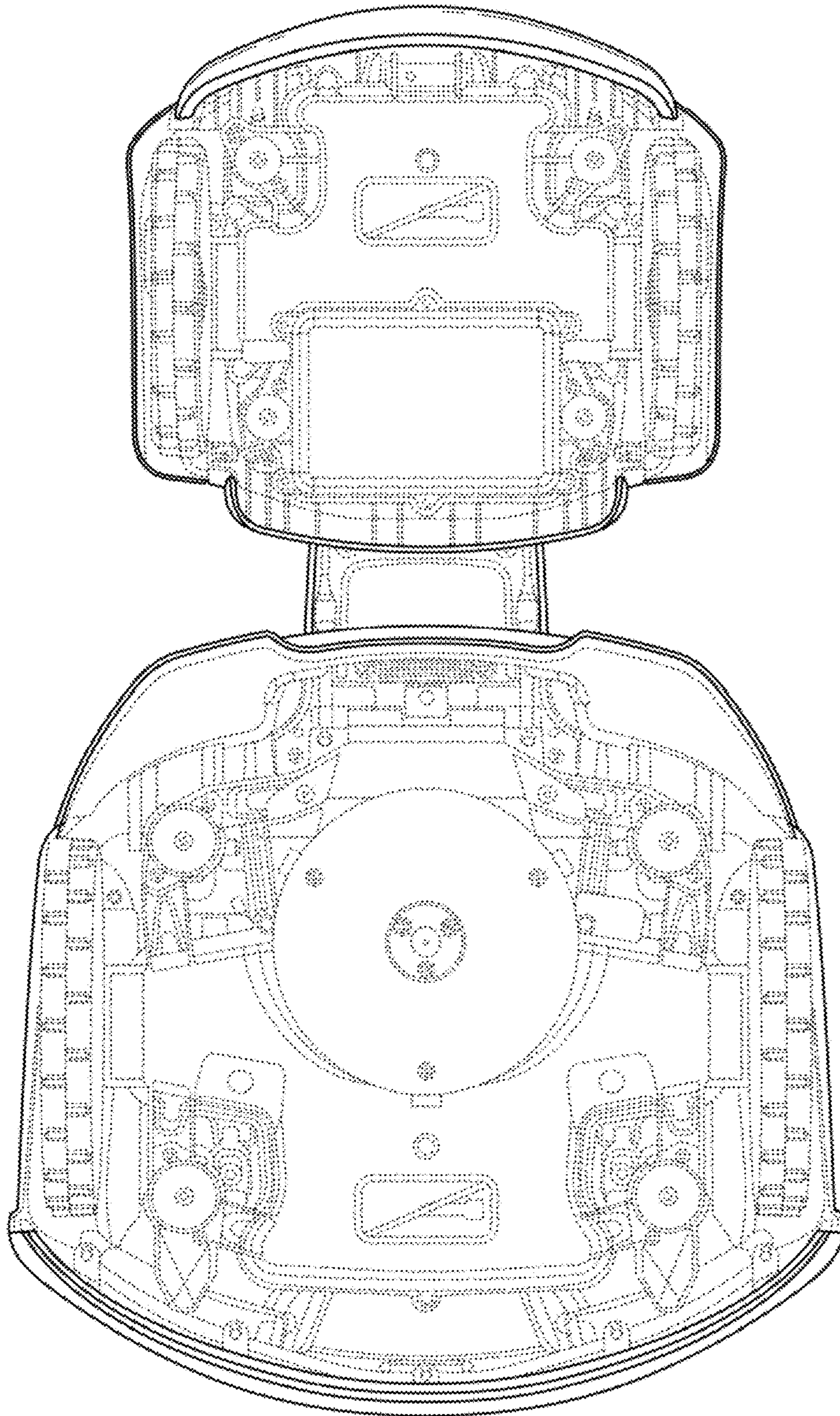


FIG. 7