



US00D880531S

(12) **United States Design Patent**
Gao

(10) **Patent No.:** **US D880,531 S**

(45) **Date of Patent:** **** Apr. 7, 2020**

- (54) **SILENT AIR COMPRESSOR**
- (71) Applicant: **Jiangsu Ecady Machinery Industry Group Co., Ltd, Kunshan (CN)**
- (72) Inventor: **Heping Gao, Wenling (CN)**
- (73) Assignee: **Jiangsu Ecady Machinery Industry Group Co., Ltd. (CN)**
- (**) Term: **15 Years**
- (21) Appl. No.: **29/643,707**
- (22) Filed: **Apr. 11, 2018**
- (51) **LOC (12) Cl.** **15-02**
- (52) **U.S. Cl.**
USPC **D15/9**
- (58) **Field of Classification Search**
USPC D15/7-9; D23/231, 232
CPC F04B 41/00-41/06; F04B 31/00; F04B 35/00; F04B 53/92; F04B 1/005; F02M 37/04; F02M 37/14
See application file for complete search history.

D515,591	S	*	2/2006	Buck	D15/9
D516,092	S	*	2/2006	Buck	D15/9
D529,518	S	*	10/2006	Buck	D15/9
D539,310	S	*	3/2007	Matsuoka	D15/9
D541,306	S	*	4/2007	Welsh	D15/9
D559,273	S	*	1/2008	Hernandez	D15/9
D574,017	S	*	7/2008	Hernandez, Jr.	D15/9
D574,859	S	*	8/2008	Hernandez	D15/9
D589,985	S	*	4/2009	Steinfels	D15/9
D590,843	S	*	4/2009	Averill	D15/9
D604,746	S	*	11/2009	Nishido	D15/7
D664,996	S	*	8/2012	Hsiao	D15/9
D680,555	S	*	4/2013	Craig	D15/7
D680,556	S	*	4/2013	Craig	D15/7
D691,639	S	*	10/2013	Hirai	D15/7
8,770,341	B2	*	7/2014	Wood	F04B 23/10 181/229
D710,902	S	*	8/2014	Vintzel	D15/9
D710,903	S	*	8/2014	Vintzel	D15/9
8,899,378	B2	*	12/2014	Wood	F04B 23/10 181/229
D806,134	S	*	12/2017	Wood	D15/9

(Continued)

Primary Examiner — Mitchell I. Siegel

(57) **CLAIM**

The ornamental design for a silent air compressor, as shown and described.

DESCRIPTION

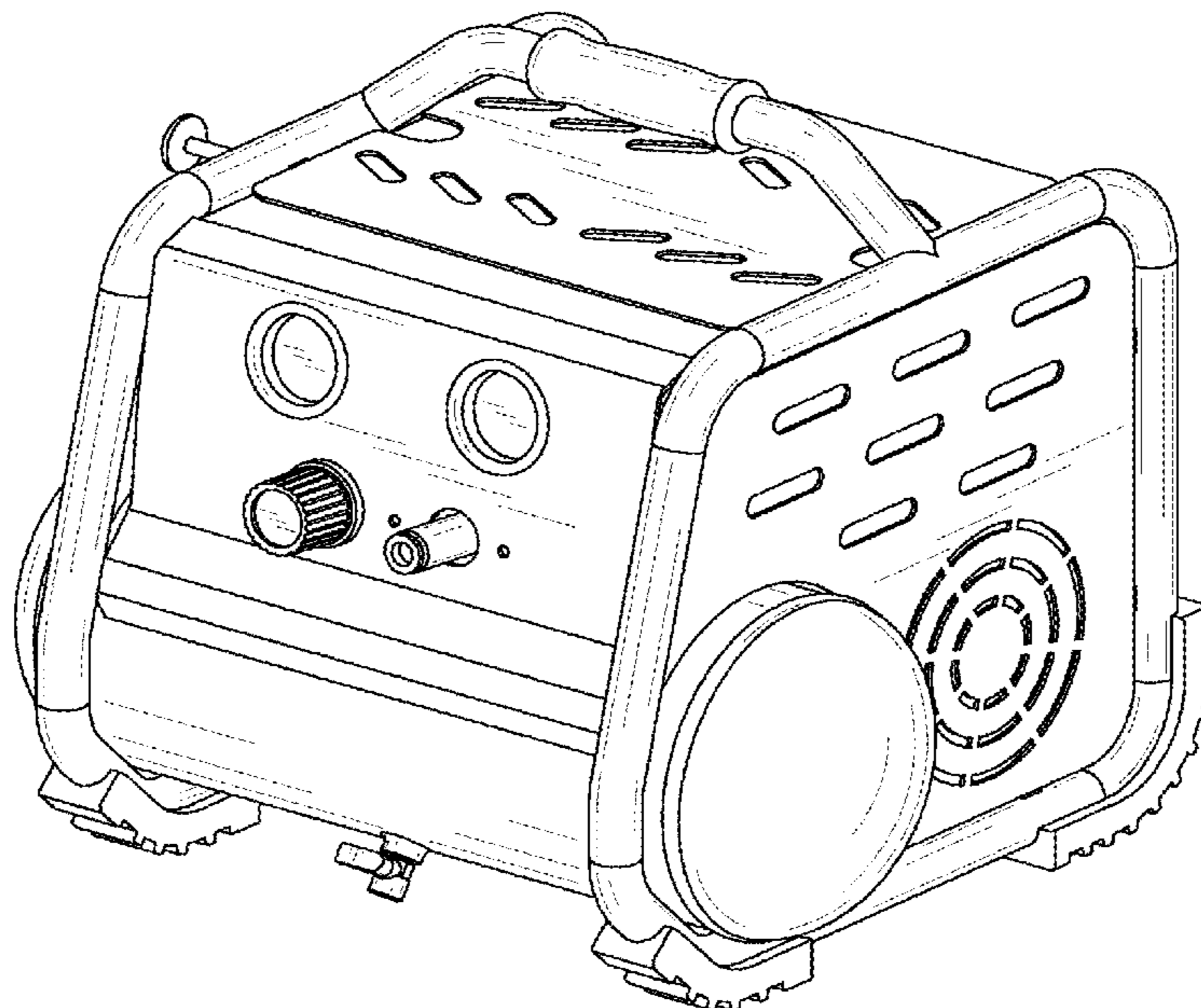
FIG. 1 is a front view of the silent air compressor showing my new design;
 FIG. 2 is a back view thereof;
 FIG. 3 is a left side view thereof;
 FIG. 4 is a right side view thereof;
 FIG. 5 is a top view thereof;
 FIG. 6 is a bottom view thereof; and,
 FIG. 7 is a perspective view thereof.
 The broken lines in the drawing depict portions of the silent air compressor that form no part of the claimed design.

1 Claim, 7 Drawing Sheets

(56) **References Cited**

U.S. PATENT DOCUMENTS

2,626,740	A	*	1/1953	Levy	F04B 39/0011 417/101
D454,357	S	*	3/2002	Diels	D15/7
D460,763	S	*	7/2002	Buck	D15/9
D461,196	S	*	8/2002	Buck	D15/9
D471,918	S	*	3/2003	Buck	D15/9
D493,179	S	*	7/2004	Buck	D15/9
D499,431	S	*	12/2004	Chen	D15/9
D499,747	S	*	12/2004	Buck	D15/9
D500,051	S	*	12/2004	Lucchi	D15/9
D500,328	S	*	12/2004	Lucchi	D15/9
D505,430	S	*	5/2005	Buck	D15/9
D513,619	S	*	1/2006	Hernandez	D15/9



(56)

References Cited

U.S. PATENT DOCUMENTS

D806,753 S	*	1/2018	Wood	D15/7
D806,755 S	*	1/2018	Wood	D15/9
D818,004 S	*	5/2018	Lee	D15/7
D831,704 S	*	10/2018	Inskeep	D15/9
D832,892 S	*	11/2018	Wood	D15/9

* cited by examiner

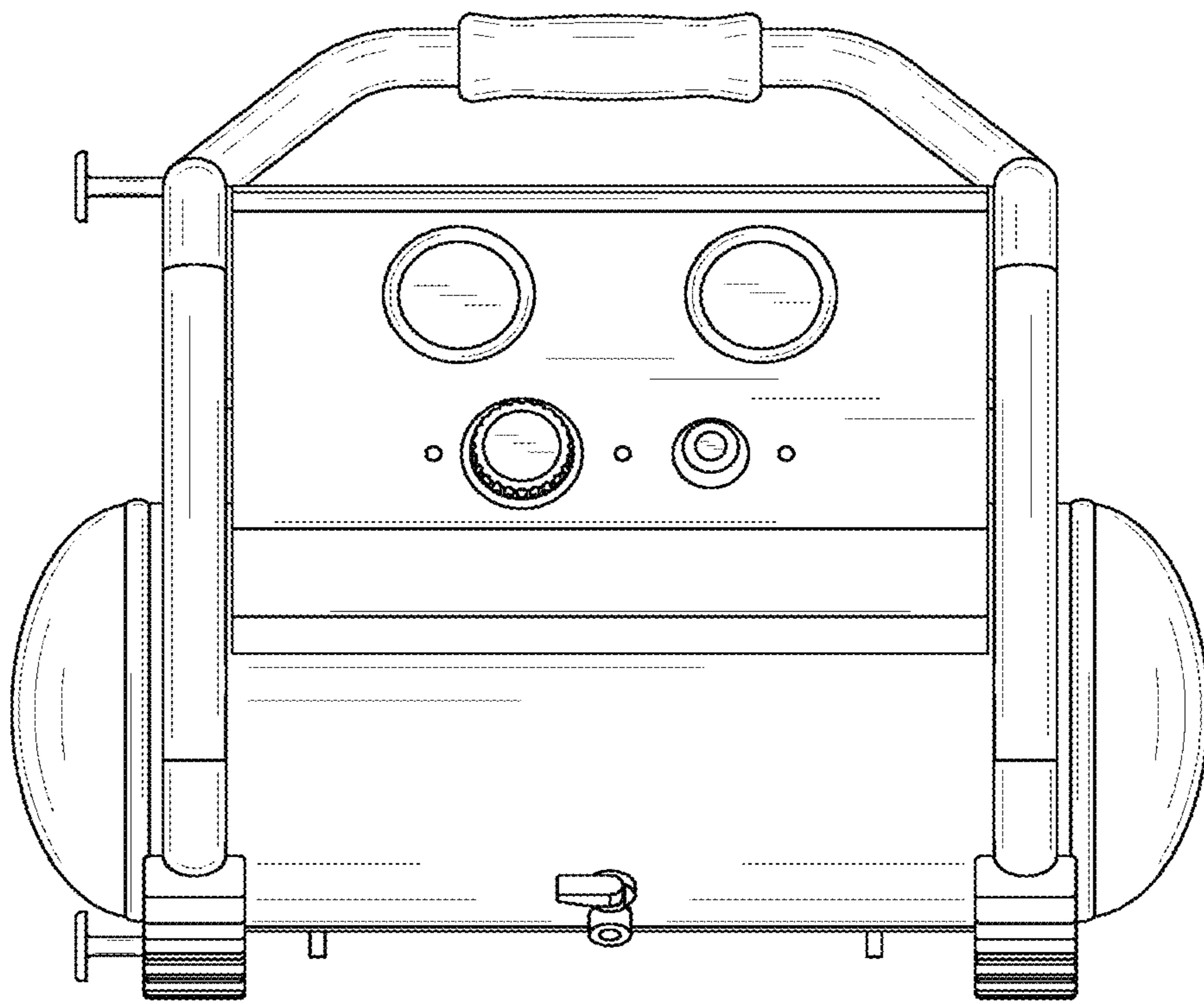


Fig.1

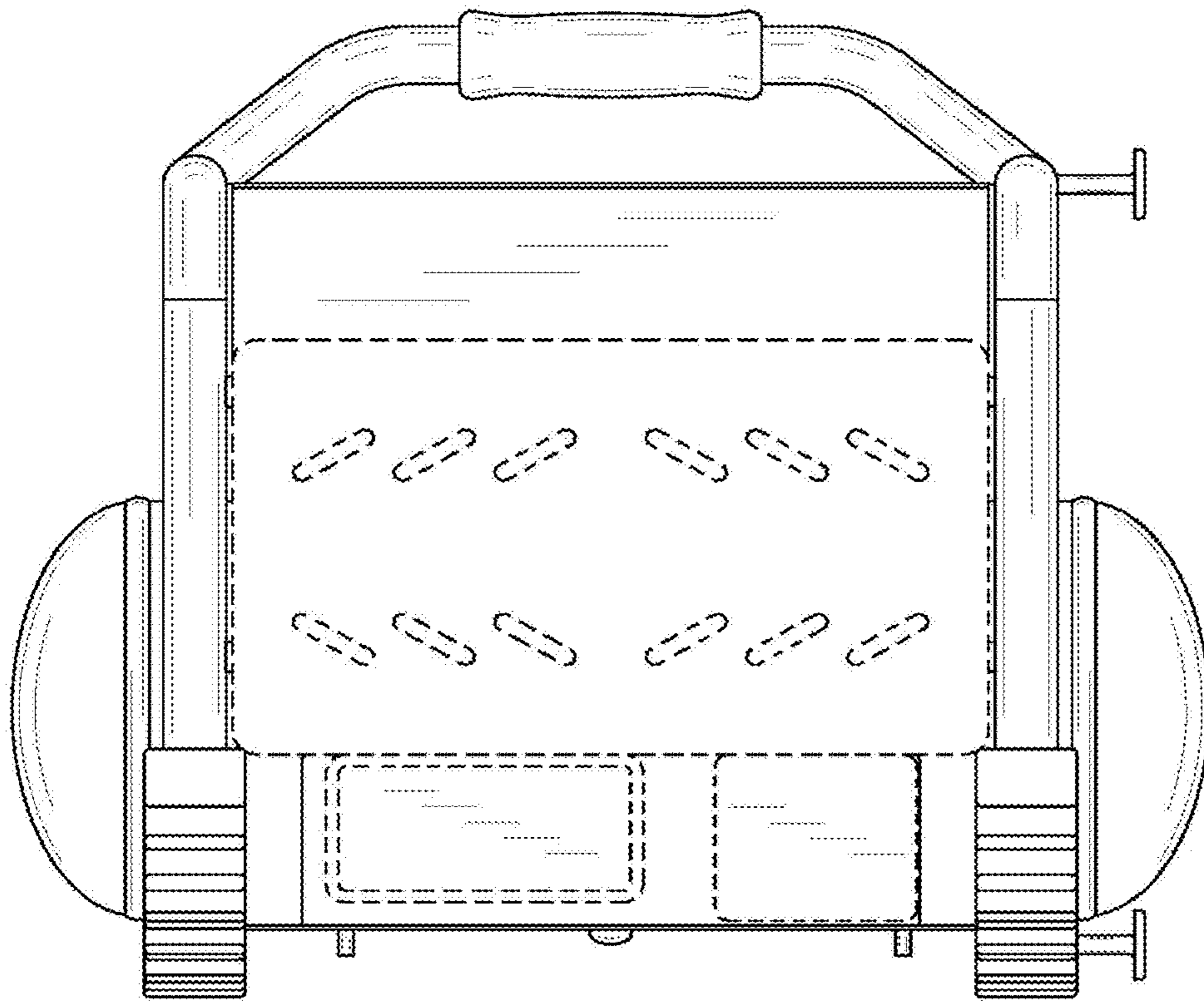


Fig.2

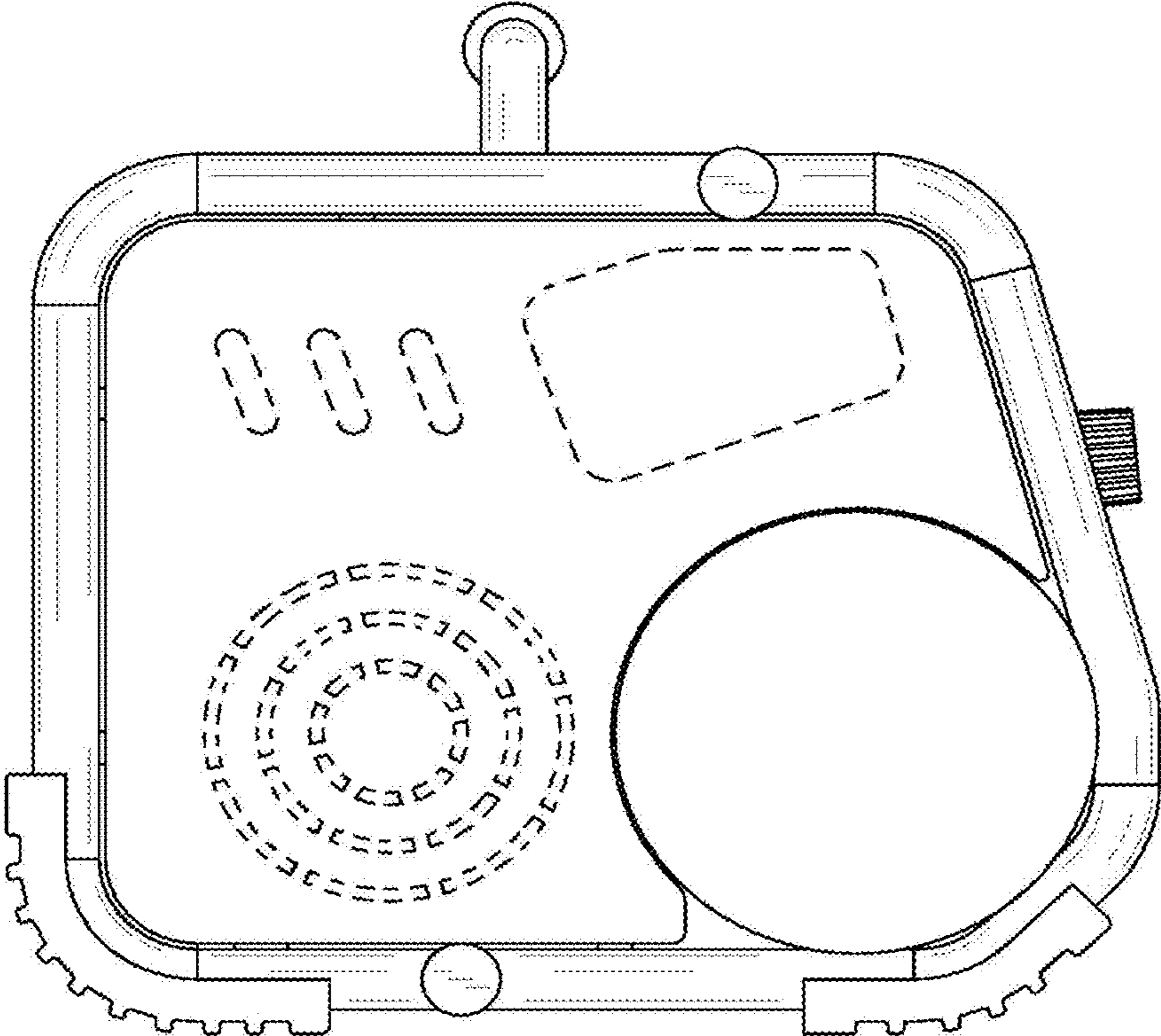


Fig3

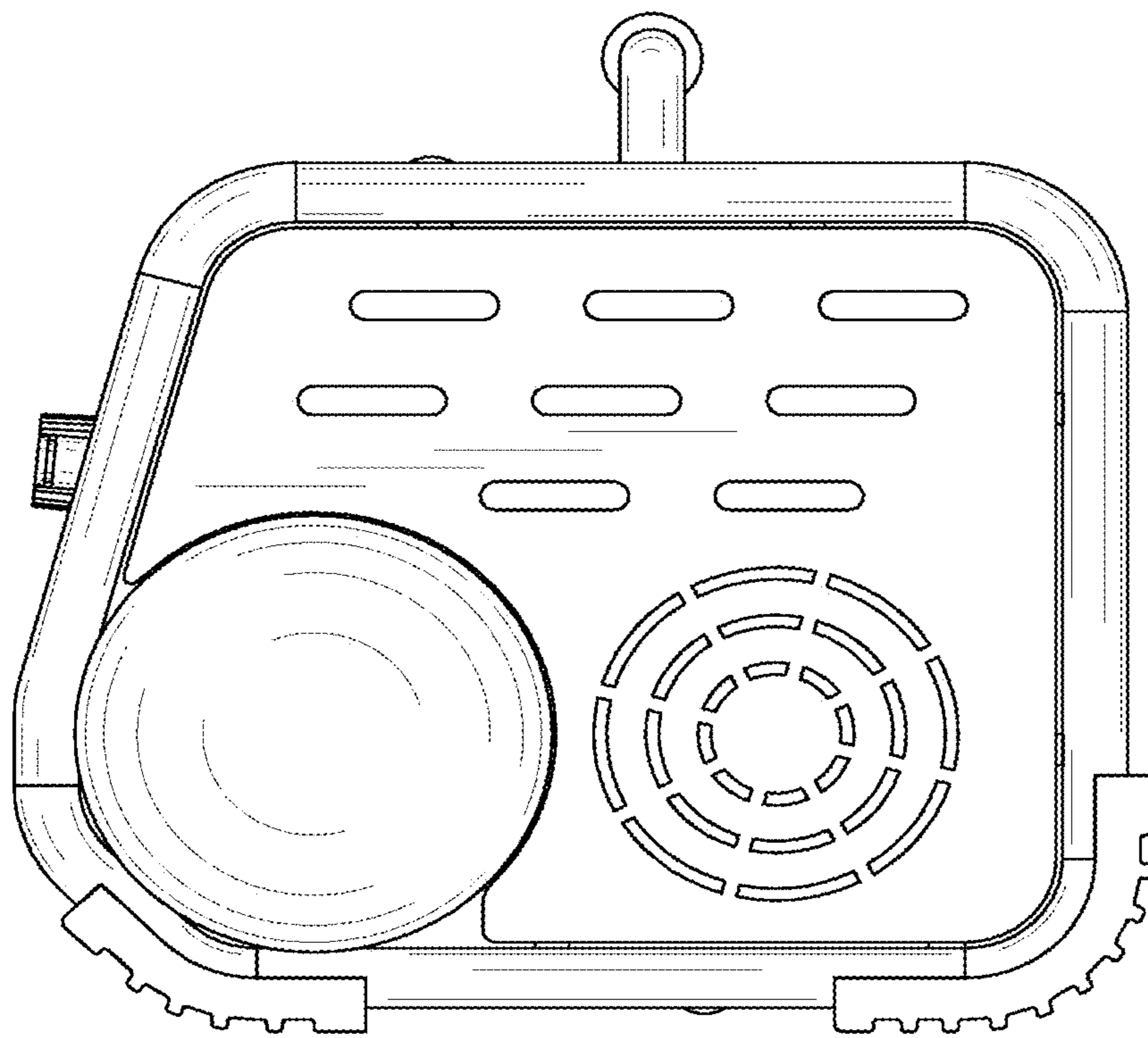


Fig.4

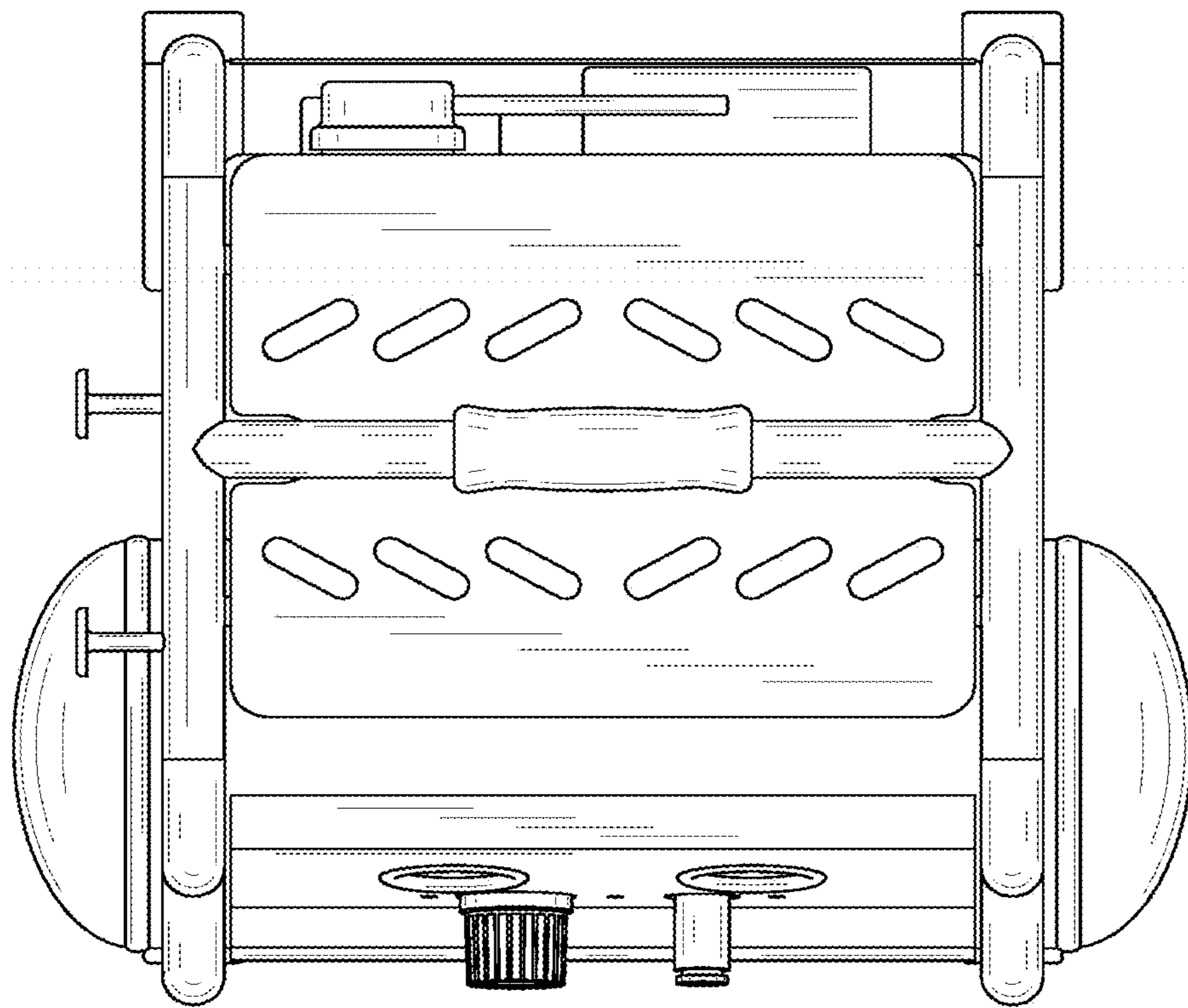


Fig.5

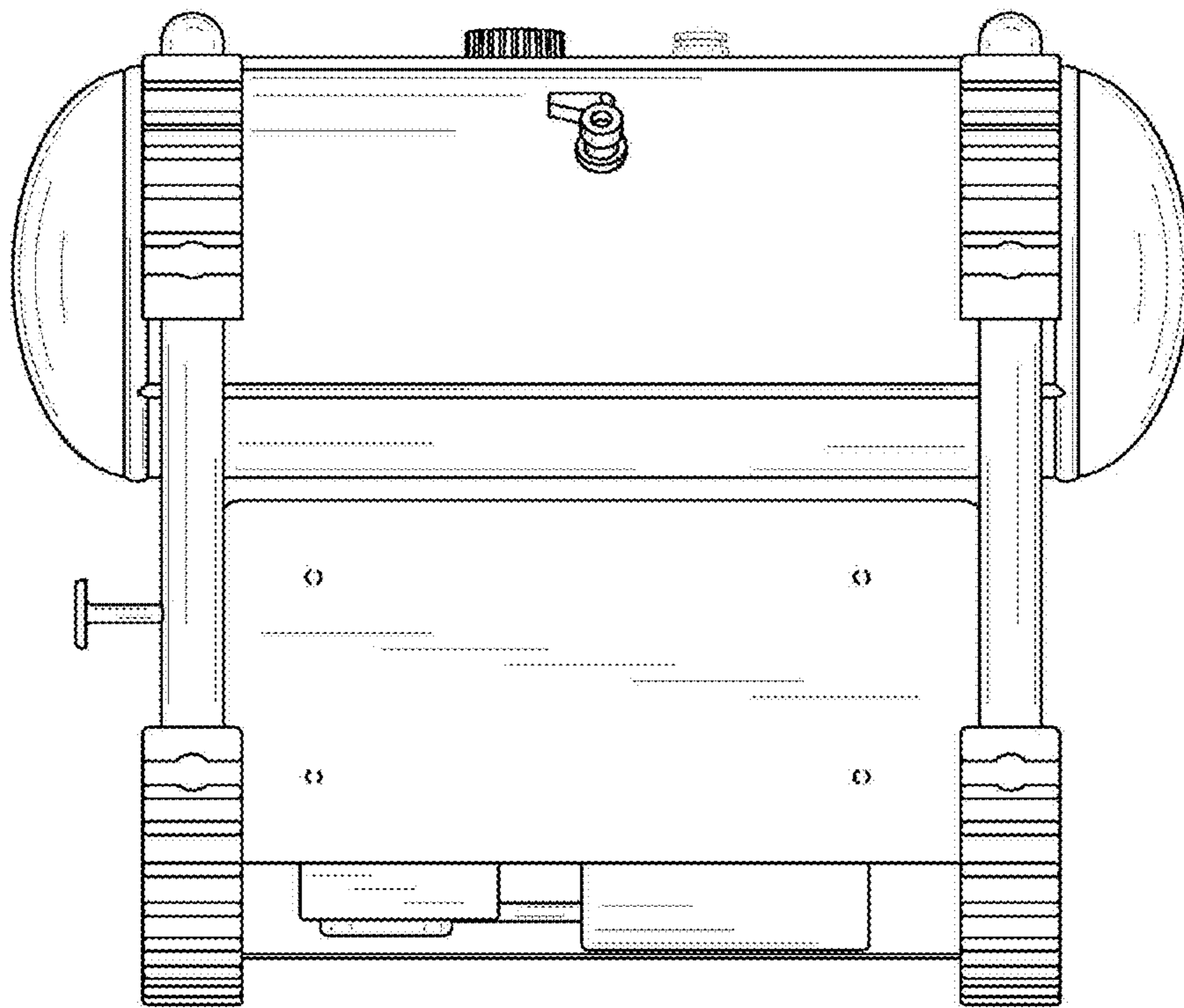


Fig.6

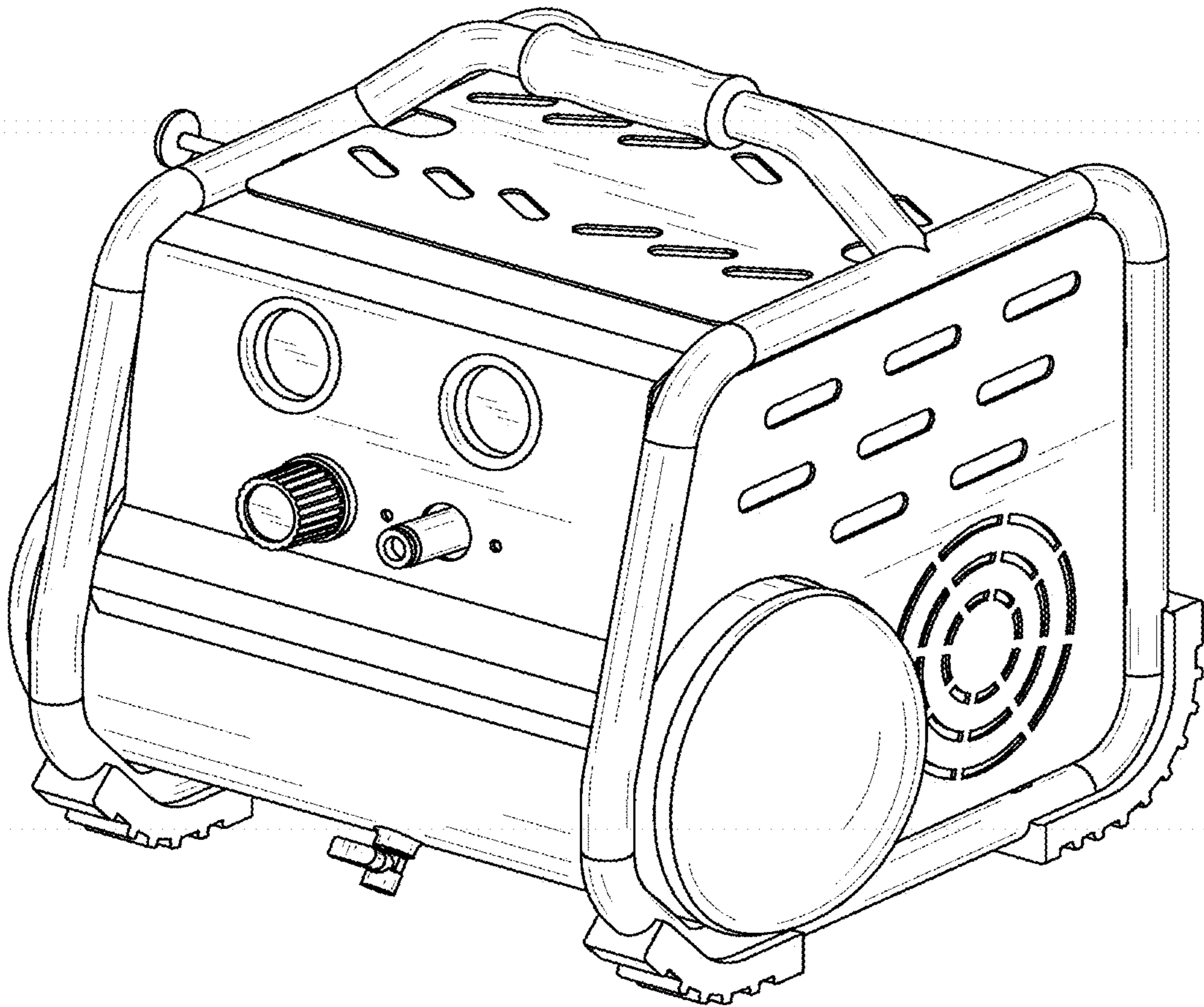


Fig.7