



US00D880529S

(12) **United States Design Patent**
Liu

(10) **Patent No.:** **US D880,529 S**
(45) **Date of Patent:** **** Apr. 7, 2020**

- (54) **PISTON**
- (71) Applicant: **Chenggang Liu, Yuanping (CN)**
- (72) Inventor: **Chenggang Liu, Yuanping (CN)**
- (**) Term: **15 Years**
- (21) Appl. No.: **29/693,921**
- (22) Filed: **Jun. 6, 2019**
- (51) **LOC (12) Cl.** **15-01**
- (52) **U.S. Cl.**
USPC **D15/5**
- (58) **Field of Classification Search**
USPC D15/1-5, 7
CPC F02F 3/00; F02F 2003/0007; F02F 3/0015;
F02F 3/0069; F02F 3/0084; F02F 3/0092;
F02F 3/027; F02F 5/00; F02F 3/28; F02F
3/10
See application file for complete search history.

- 2015/0198112 A1* 7/2015 Funahashi F02F 3/0069
123/193.6
 - 2016/0025034 A1* 1/2016 Lormes F02F 3/003
123/193.6
 - 2016/0123274 A1* 5/2016 Miller F02F 3/28
123/41.35
 - 2016/0237945 A1* 8/2016 Jeffries F02B 23/08
 - 2016/0273483 A1* 9/2016 Yamashita F02F 3/10
 - 2017/0328300 A1* 11/2017 Ikai F16J 1/01
 - 2018/0058580 A1* 3/2018 Giebas F02F 3/00
- (Continued)

OTHER PUBLICATIONS

“Sealed Power Speed Pro Hyper Pistons and Moly Rings compatible with SBC 350 SB 5.7L 5.7 H345DCP +.030” (Bore diameter 4.030”)", Retrieved Jun. 4, 2019]. Retrieved from Internet, <https://www.amazon.com/Sealed-Pistons-compatible-H345DCP-diameter/dp/B07HNPZSPH/>.

(Continued)

Primary Examiner — Ania Aman

(56) **References Cited**

U.S. PATENT DOCUMENTS

- 4,501,236 A * 2/1985 Fletcher F02B 77/085
123/193.6
- 4,570,589 A * 2/1986 Fletcher F02B 77/085
123/193.6
- D377,493 S * 1/1997 Oda 123/193.6
- D399,212 S 10/1998 Roderweiss et al.
- D609,247 S * 2/2010 Naegele D15/5
- D713,422 S 9/2014 Muscas
- D742,921 S * 11/2015 Nakao D15/5
- 2008/0245229 A1* 10/2008 Buschbeck B22D 19/0027
92/186
- 2009/0038594 A1* 2/2009 Naquin F02B 23/08
123/661
- 2013/0233270 A1* 9/2013 Brandt F02F 3/0076
123/193.6
- 2015/0107559 A1* 4/2015 Bowing F02B 23/0639
123/47 R
- 2015/0167536 A1* 6/2015 Toda F02B 11/00
123/27 R

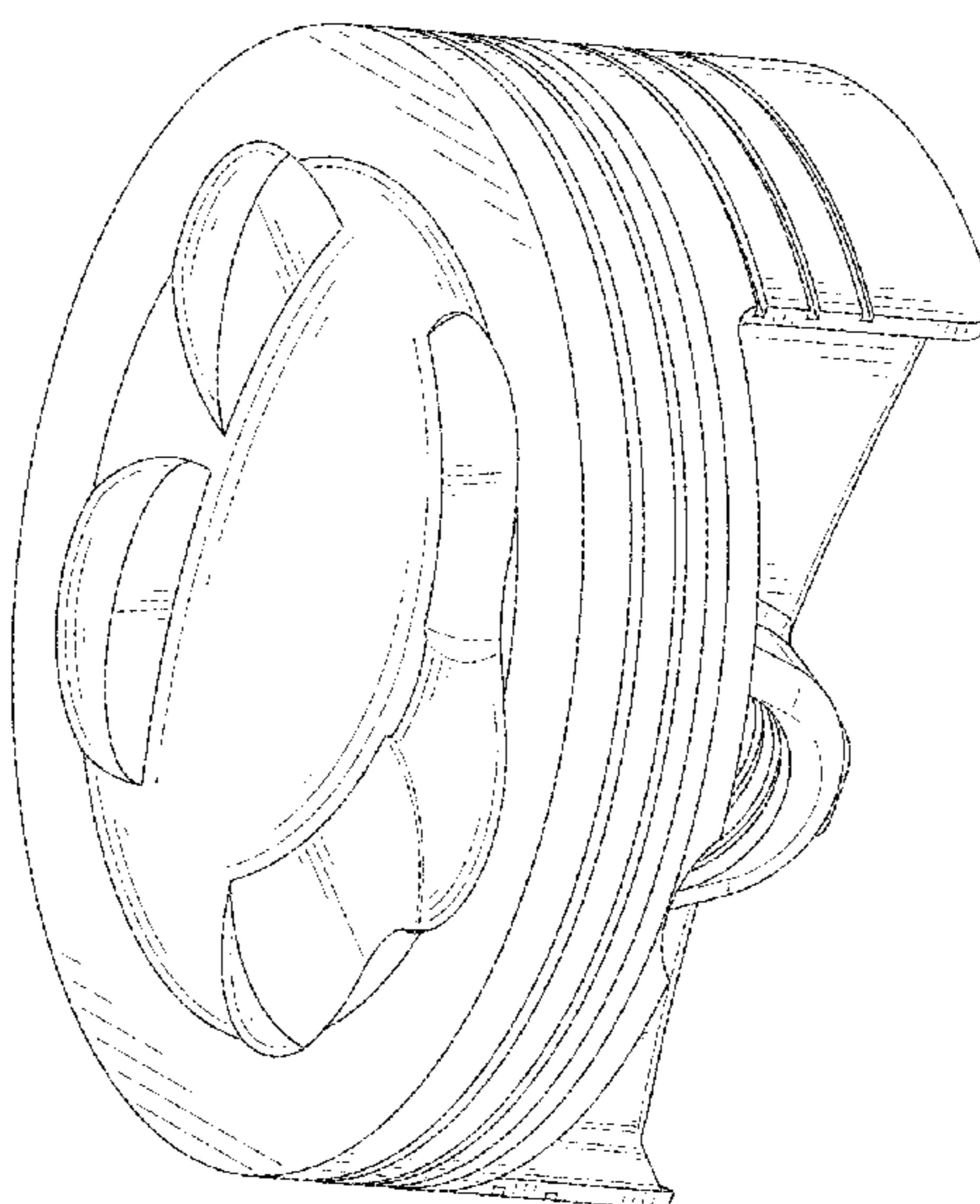
(57) **CLAIM**

The ornamental design for a piston, as shown and described.

DESCRIPTION

FIG. 1 is a perspective view of a piston showing my new design;
 FIG. 2 is another perspective view thereof;
 FIG. 3 is a front elevational view thereof;
 FIG. 4 is a rear elevational view thereof;
 FIG. 5 is a left side elevational view thereof;
 FIG. 6 is a right side elevational view thereof;
 FIG. 7 is a top plan view thereof; and,
 FIG. 8 is a bottom plan view thereof.
 The broken lines shown in the drawing are for the purpose of illustrating environmental structure and form no part of the claimed design.

1 Claim, 8 Drawing Sheets



(56)

References Cited

U.S. PATENT DOCUMENTS

2018/0080407 A1* 3/2018 Nakaji F02F 3/26
2018/0094604 A1* 4/2018 Prstojevic F02F 3/28
2018/0119635 A1* 5/2018 Wandrie, III F02F 3/003
2018/0313294 A1* 11/2018 Wagenblast F02F 3/0084
2018/0335140 A1* 11/2018 Ichikawa F02F 3/00
2019/0107077 A1* 4/2019 Renner F01L 3/22

OTHER PUBLICATIONS

“Stihl Br500, Br550, Br600 4-Mix Piston Kit, Replaces Stihl Part # 4282-030-2003”, Retrieved Jun. 4, 2019]. Retrieved from Internet, <https://www.amazon.com/dp/B01A2PMSU2/>.

* cited by examiner

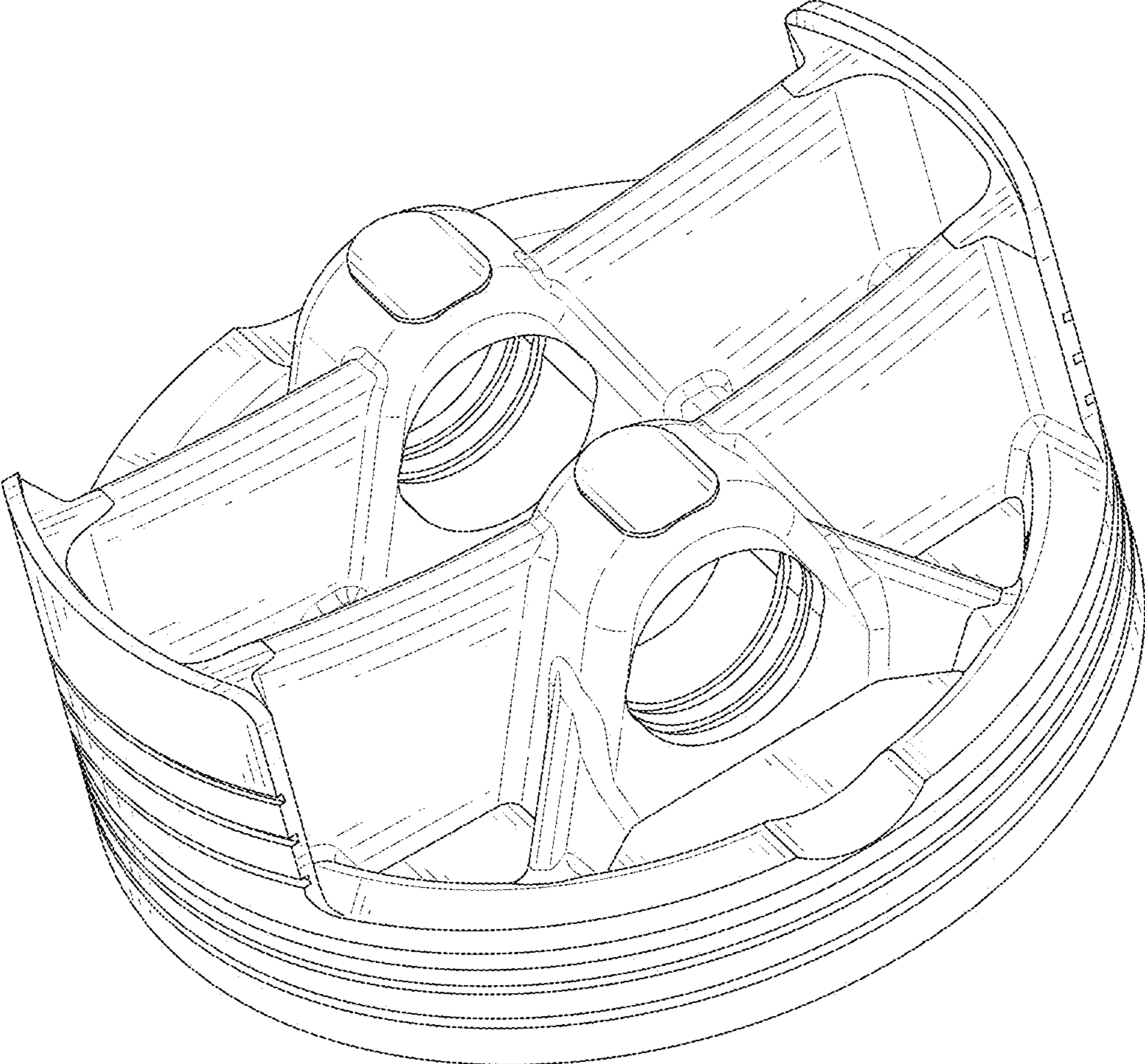


FIG. 1

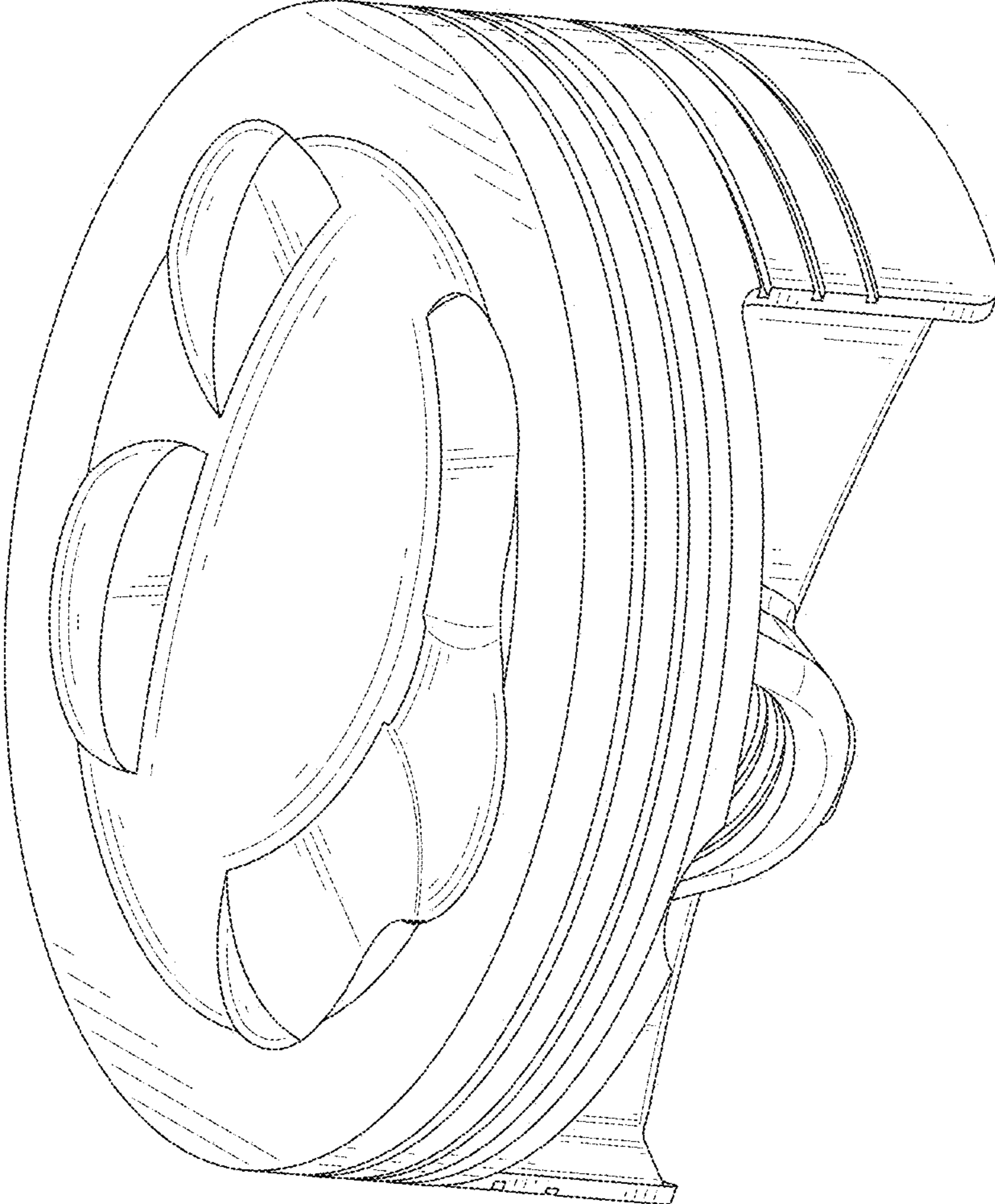


FIG. 2

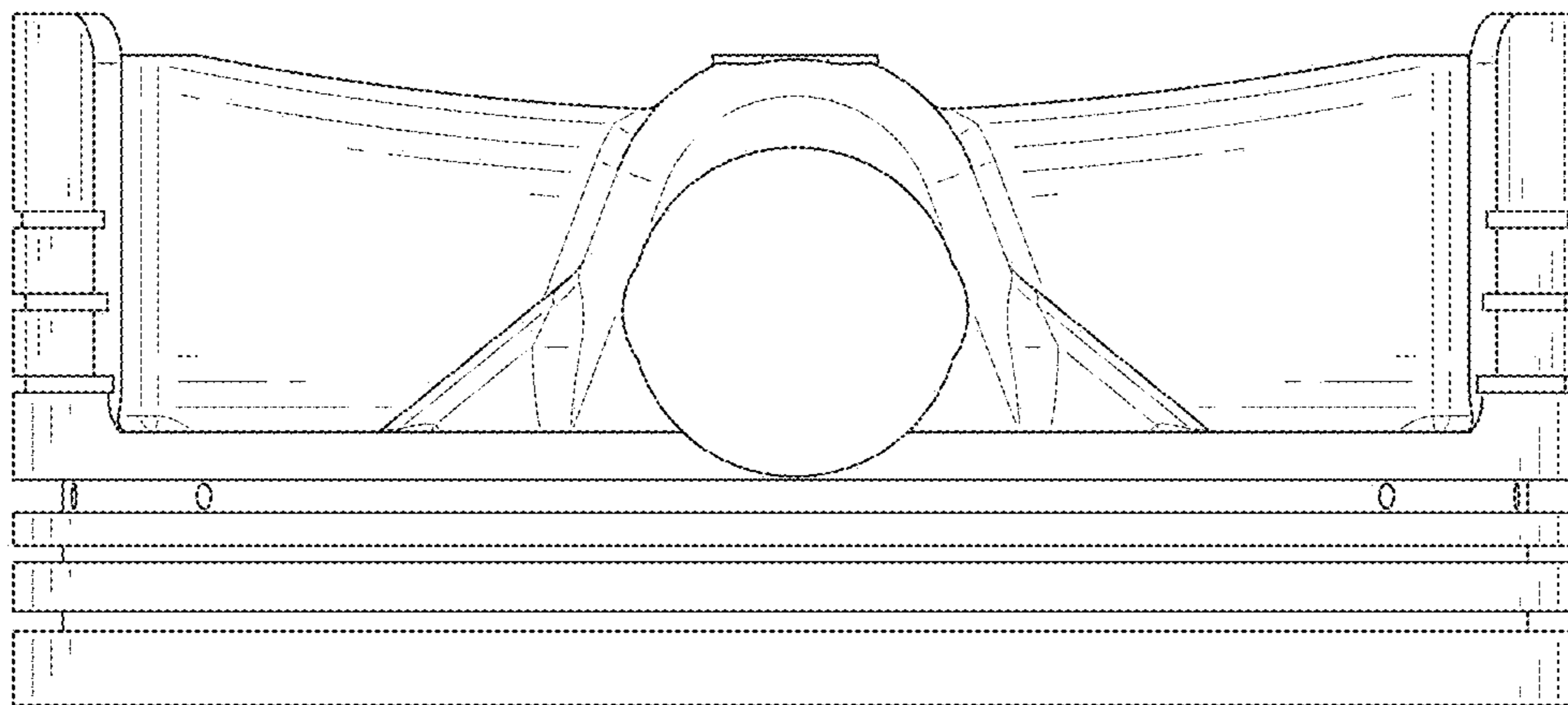


FIG. 3

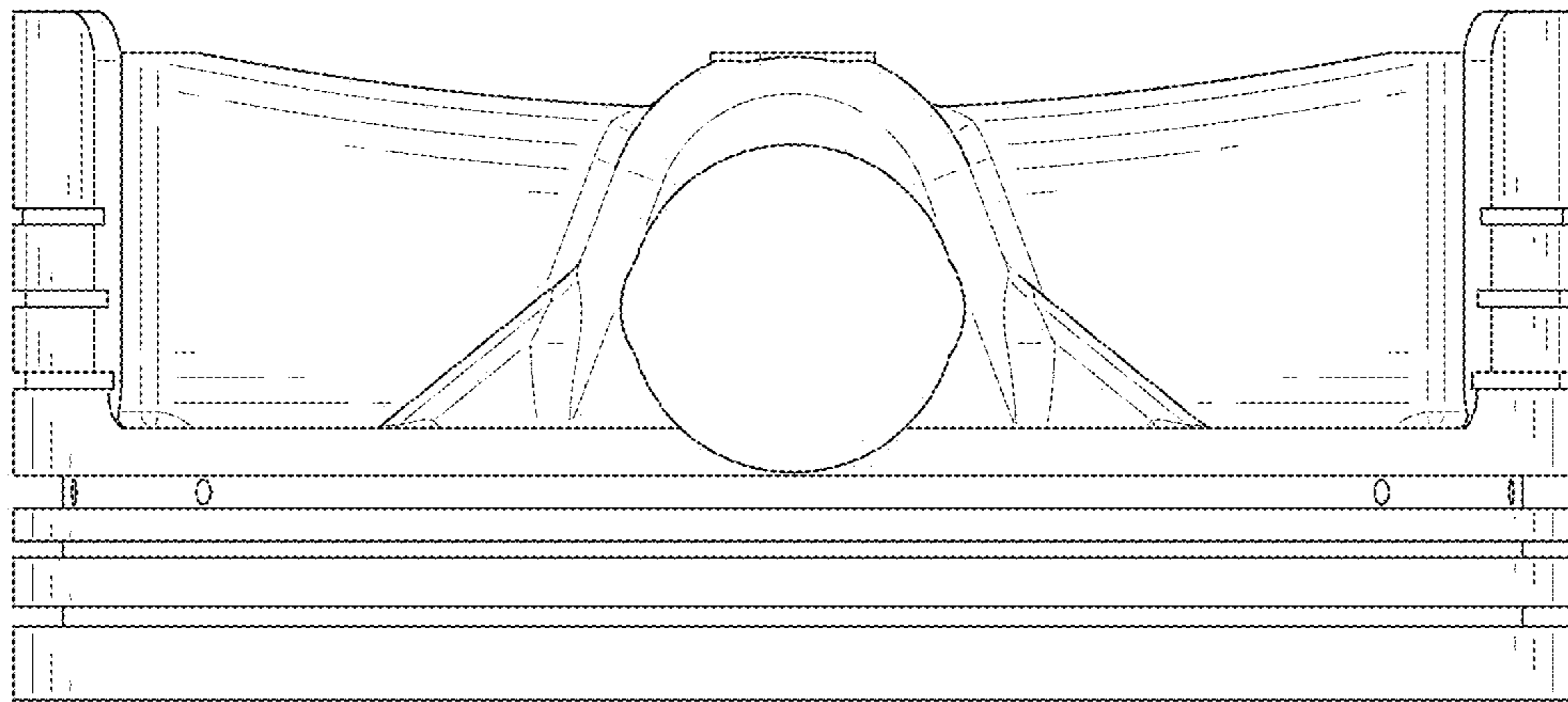


FIG. 4

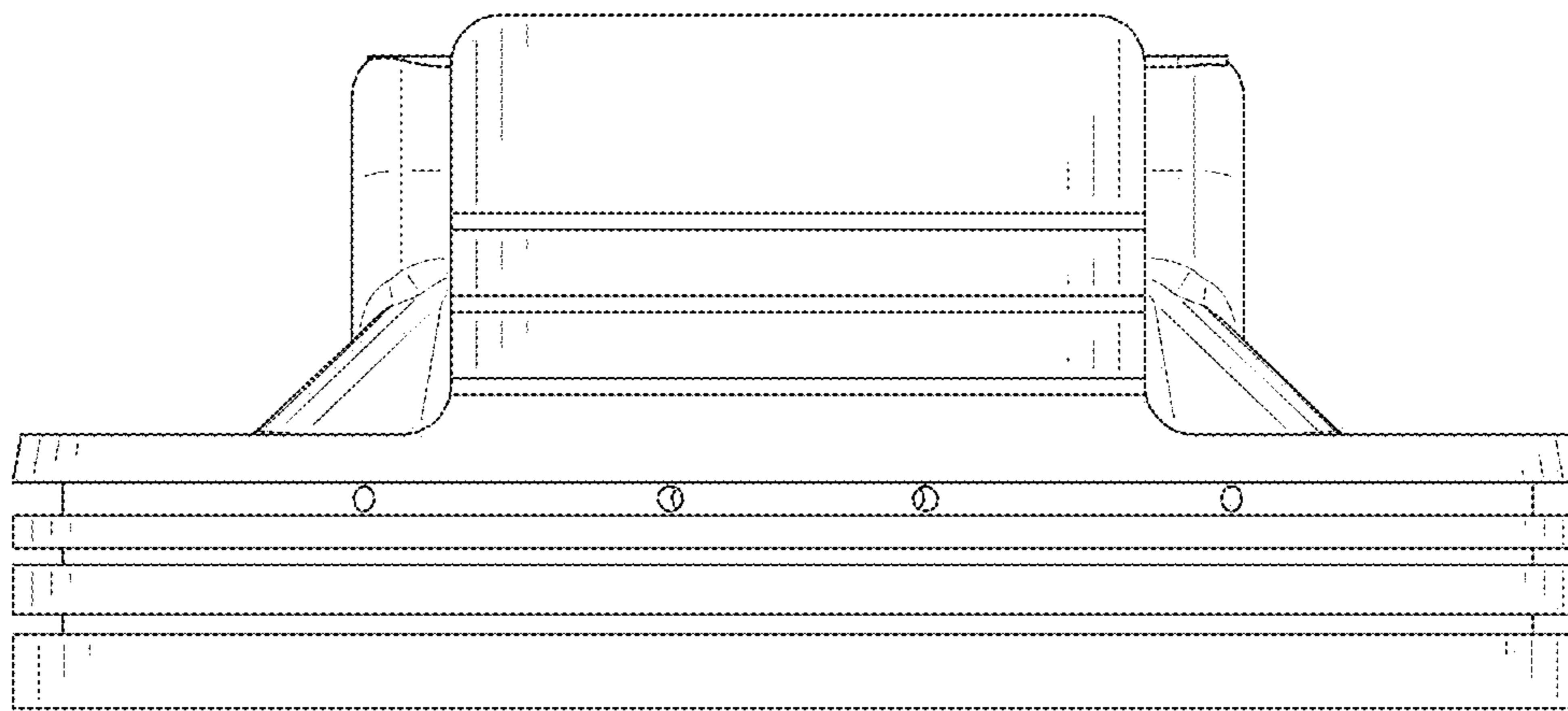


FIG. 5

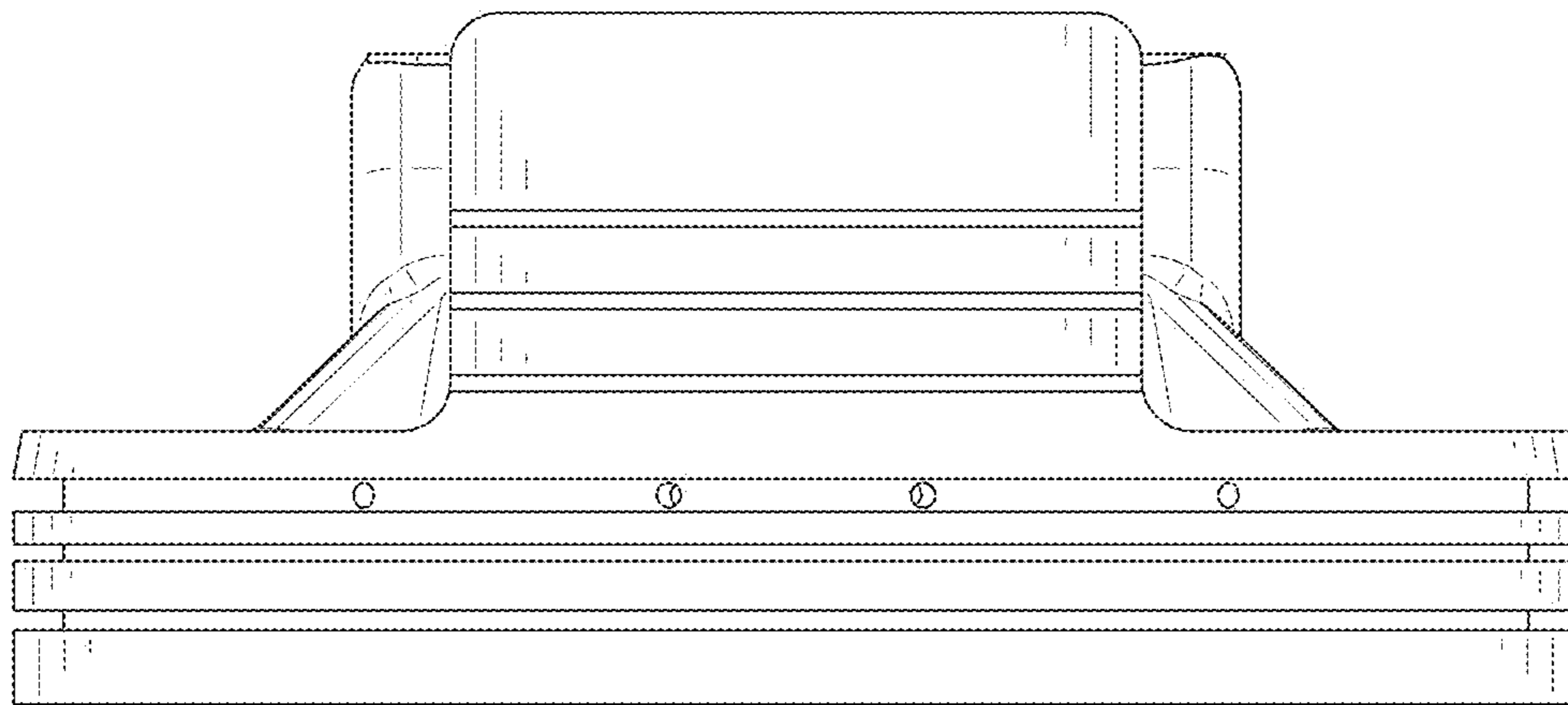


FIG. 6

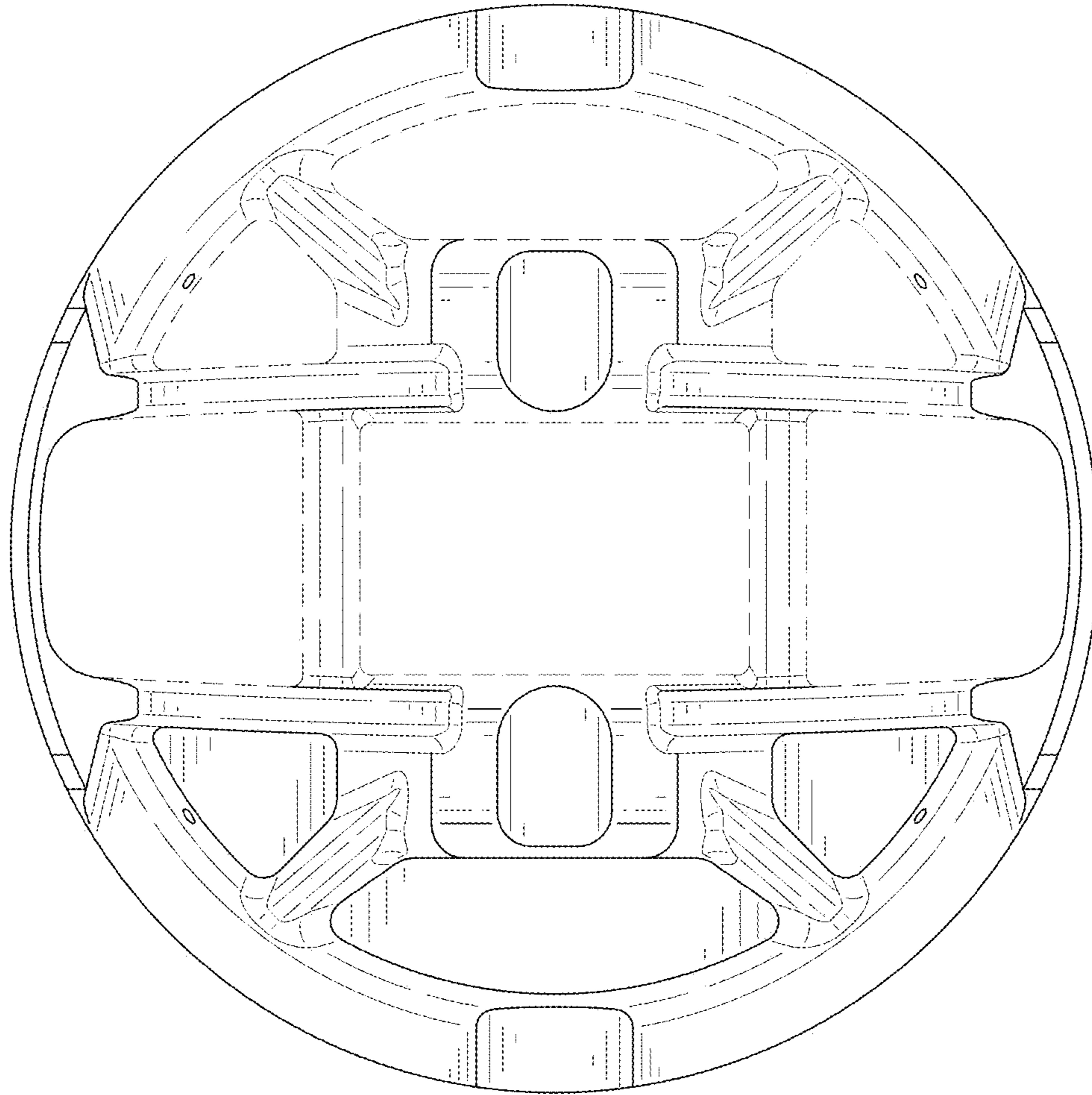


FIG. 7



FIG. 8