



US00D880528S

(12) **United States Design Patent**
Shurdim

(10) **Patent No.:** **US D880,528 S**

(45) **Date of Patent:** **** Apr. 7, 2020**

(54) **INTAKE MANIFOLD PAIR**

(71) Applicant: **Oliver Matt Shurdim**, Anaheim, CA
(US)

(72) Inventor: **Oliver Matt Shurdim**, Anaheim, CA
(US)

(**) Term: **15 Years**

(21) Appl. No.: **29/688,197**

(22) Filed: **Apr. 18, 2019**

(51) **LOC (12) Cl.** **15-01**

(52) **U.S. Cl.**
USPC **D15/5**

(58) **Field of Classification Search**
USPC D15/1-5
CPC F02M 35/10; F02M 35/10039; F02M
35/10091; F02M 35/10052; F02M
35/10045

See application file for complete search history.

(56) **References Cited**

U.S. PATENT DOCUMENTS

3,945,357 A 3/1976 Ableitner
4,013,049 A 3/1977 Dilgard
D266,168 S 9/1982 Lindbrandt
(Continued)

FOREIGN PATENT DOCUMENTS

CA 127310 6/2019
EP 000796750-0001 8/2007

Primary Examiner — Ania Aman

(74) *Attorney, Agent, or Firm* — Cionca IP Law P.C.;
Marin Cionca

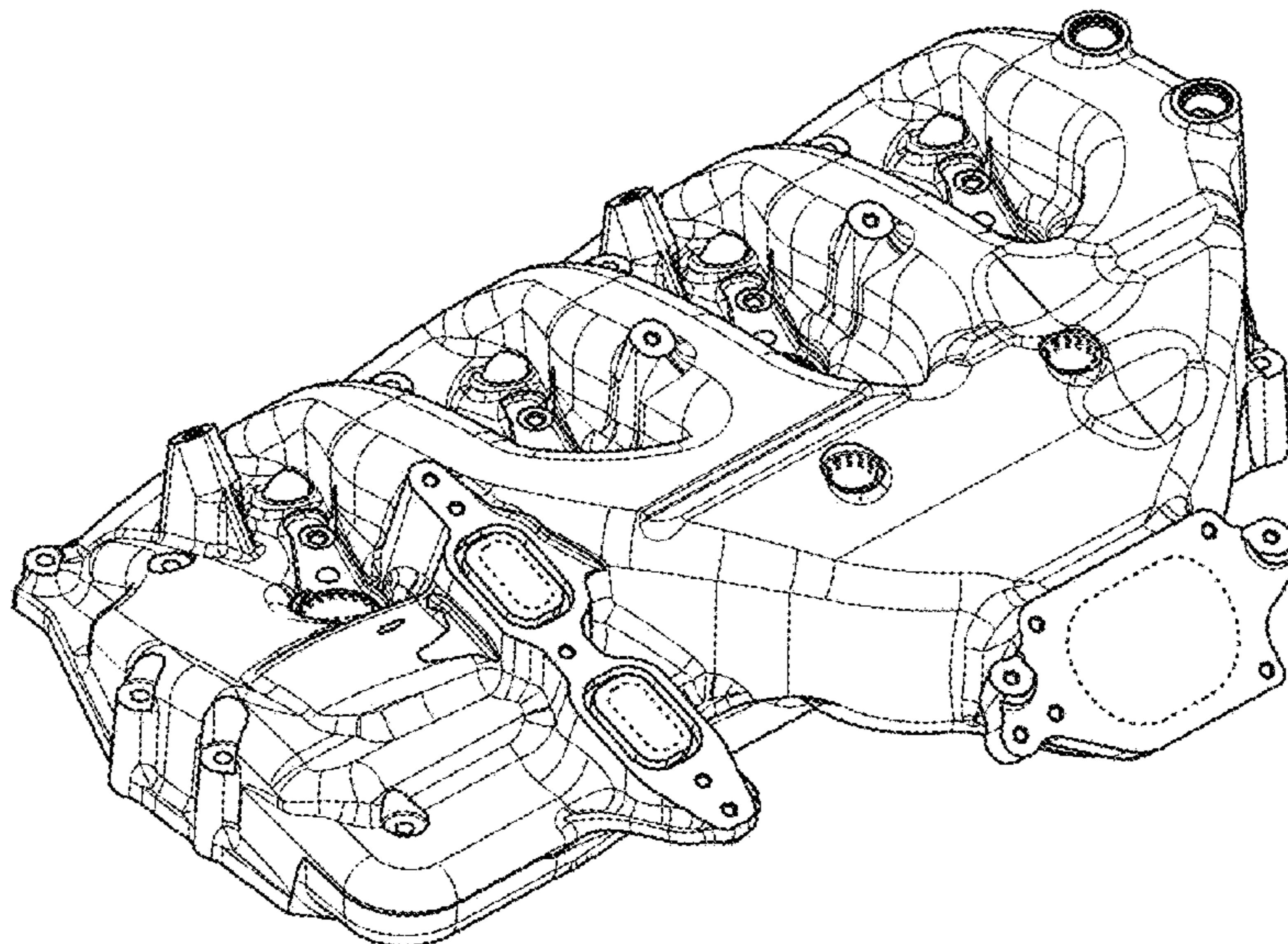
(57) **CLAIM**

The ornamental design for an intake manifold pair, as shown and described.

DESCRIPTION

FIG. 1 is a front elevation view of a left side piece of an intake manifold pair showing the new design;
FIG. 2 is a top plan view of the left side piece of FIG. 1;
FIG. 3 is a rear elevation view of the left side piece of FIG. 1;
FIG. 4 is a front, right side perspective view of the left side piece of FIG. 1;
FIG. 5 is a right side elevation view of the left side piece of FIG. 1;
FIG. 6 is a rear, left side perspective view of the left side piece of FIG. 1;
FIG. 7 is a bottom, right side perspective view of the left side piece of FIG. 1;
FIG. 8 is a bottom, left side perspective view of the left side piece of FIG. 1;
FIG. 9 is a bottom plan view of the left side piece of FIG. 1;
FIG. 10 is a front elevation view of a right side piece of the intake manifold pair;
FIG. 11 is a top plan view of the right side piece of FIG. 10;
FIG. 12 is a rear elevation view of the right side piece of FIG. 10;
FIG. 13 is a right side elevation view of the right side piece of FIG. 10;
FIG. 14 is a front, left side perspective view of the right side piece of FIG. 10;
FIG. 15 is a bottom, left side perspective view of the right side piece of FIG. 10;
FIG. 16 is a bottom plan view of the right side piece of FIG. 10; and,
FIG. 17 is a bottom, rear perspective view of the right side piece of FIG. 10.
The broken lines immediately adjacent the shaded surfaces represent the bounds of the claimed design. All other broken lines depict environmental subject matter that forms no part of the claimed design. The broken lines and unshaded surfaces bounded by broken lines form no part of the claimed design.

1 Claim, 12 Drawing Sheets



(56)

References Cited

U.S. PATENT DOCUMENTS

D267,952 S 2/1983 Martin
 D372,250 S 7/1996 Otsuka et al.
 D376,602 S 12/1996 Yamanaka et al.
 D400,890 S 11/1998 Gambardella
 D405,095 S 2/1999 Wada
 D465,790 S 11/2002 Magnuson
 D484,513 S 12/2003 Grudynski, III
 D533,194 S 12/2006 Cimbura
 D580,457 S 11/2008 Bender
 D602,044 S 10/2009 Steinfels
 D614,104 S 4/2010 Waggoner
 D648,350 S 11/2011 Steinfels
 D654,094 S 2/2012 Dralle
 D665,821 S 8/2012 Capko et al.
 D673,977 S 1/2013 Hsu et al.
 D673,978 S 1/2013 Hsu et al.
 D673,979 S 1/2013 Finnican
 D674,408 S 1/2013 Hsu et al.
 D677,699 S 3/2013 Finnican
 D677,700 S 3/2013 Hsu et al.
 D679,288 S 4/2013 Grubisich
 D680,132 S 4/2013 Finnican
 D694,265 S 11/2013 Spiegel
 8,607,756 B1* 12/2013 Kulkarni F02M 35/10262
 123/184.21
 D697,943 S 1/2014 Capko et al.
 D700,621 S 3/2014 Capko et al.
 D737,862 S 9/2015 Finnican
 D788,173 S 5/2017 Hsu et al.
 D794,681 S 8/2017 Newman et al.
 D794,682 S 8/2017 Newman et al.
 D802,628 S 11/2017 Fischetto
 D812,100 S 3/2018 Litchfield

D838,292 S 1/2019 Hummel
 D839,311 S 1/2019 Shurdim
 10,247,089 B1* 4/2019 Wicks F02B 29/0468
 10,309,353 B2* 6/2019 Nakamura F02M 35/104
 2001/0047802 A1* 12/2001 Itoh F02B 61/045
 123/585
 2002/0073961 A1* 6/2002 Tanaka F02D 9/101
 123/336
 2003/0106516 A1* 6/2003 Nishimura F02B 27/02
 123/184.42
 2004/0154574 A1* 8/2004 Menin B29C 45/006
 123/184.42
 2004/0187829 A1* 9/2004 Tohyama F02B 27/00
 123/184.57
 2004/0194750 A1* 10/2004 Tanikawa F02M 35/10039
 123/184.42
 2004/0200450 A1* 10/2004 Tanikawa B29C 65/06
 123/184.42
 2006/0191505 A1* 8/2006 Doko F02M 35/10039
 123/184.59
 2012/0017864 A1* 1/2012 Moetakef B23K 20/129
 123/184.61
 2014/0216387 A1* 8/2014 Kulkarni F02M 35/1045
 123/184.47
 2014/0261279 A1* 9/2014 Horii F02M 35/10321
 123/184.61
 2016/0061166 A1* 3/2016 Tanaka F02M 35/10222
 123/184.22
 2017/0152818 A1* 6/2017 Newman F02M 35/104
 2017/0167452 A1* 6/2017 Tachikawa F02M 35/1036
 2017/0335809 A1* 11/2017 Newman F02M 35/10354
 2017/0356405 A1* 12/2017 Kusuda F02M 35/10039
 2018/0171944 A1* 6/2018 Nakamura F02M 35/10157
 2019/0032611 A1* 1/2019 Kim F02M 35/10222
 2019/0136805 A1* 5/2019 Tanaka F02M 35/10085

* cited by examiner

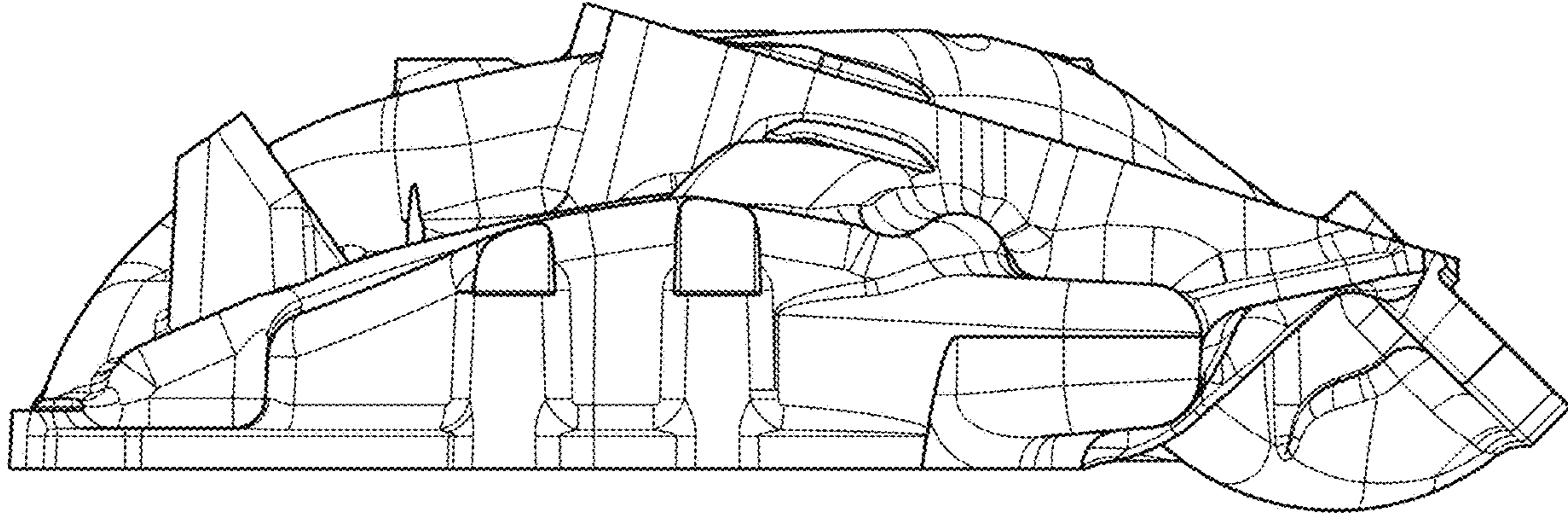


FIG. 1

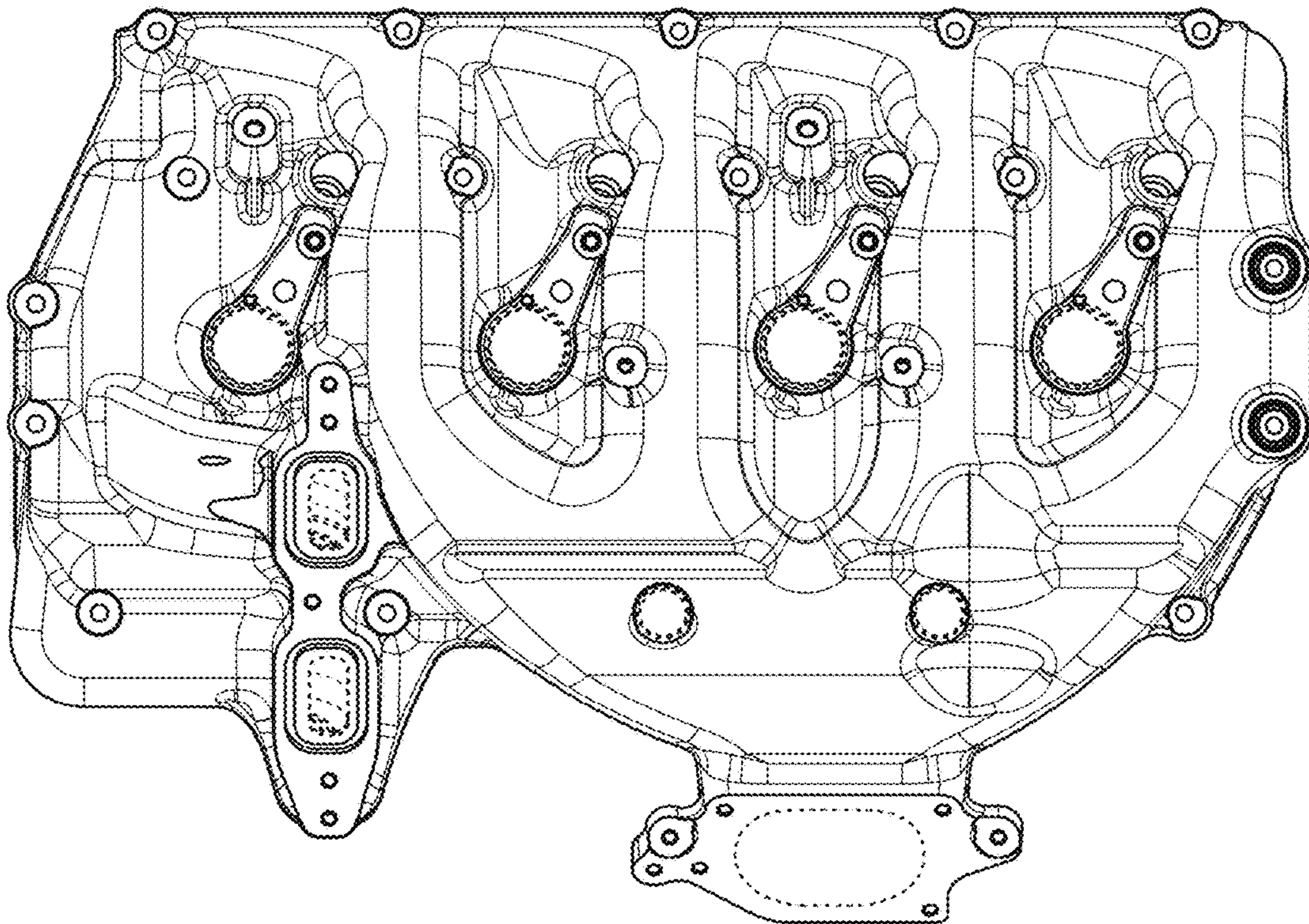


FIG. 2

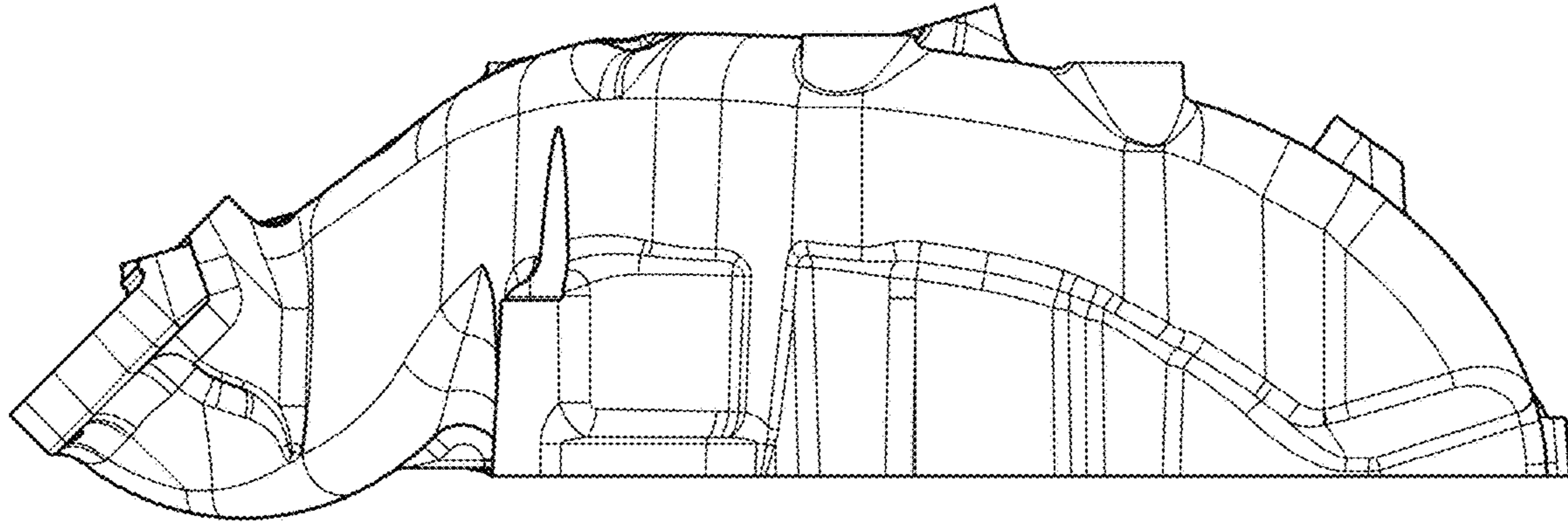


FIG. 3

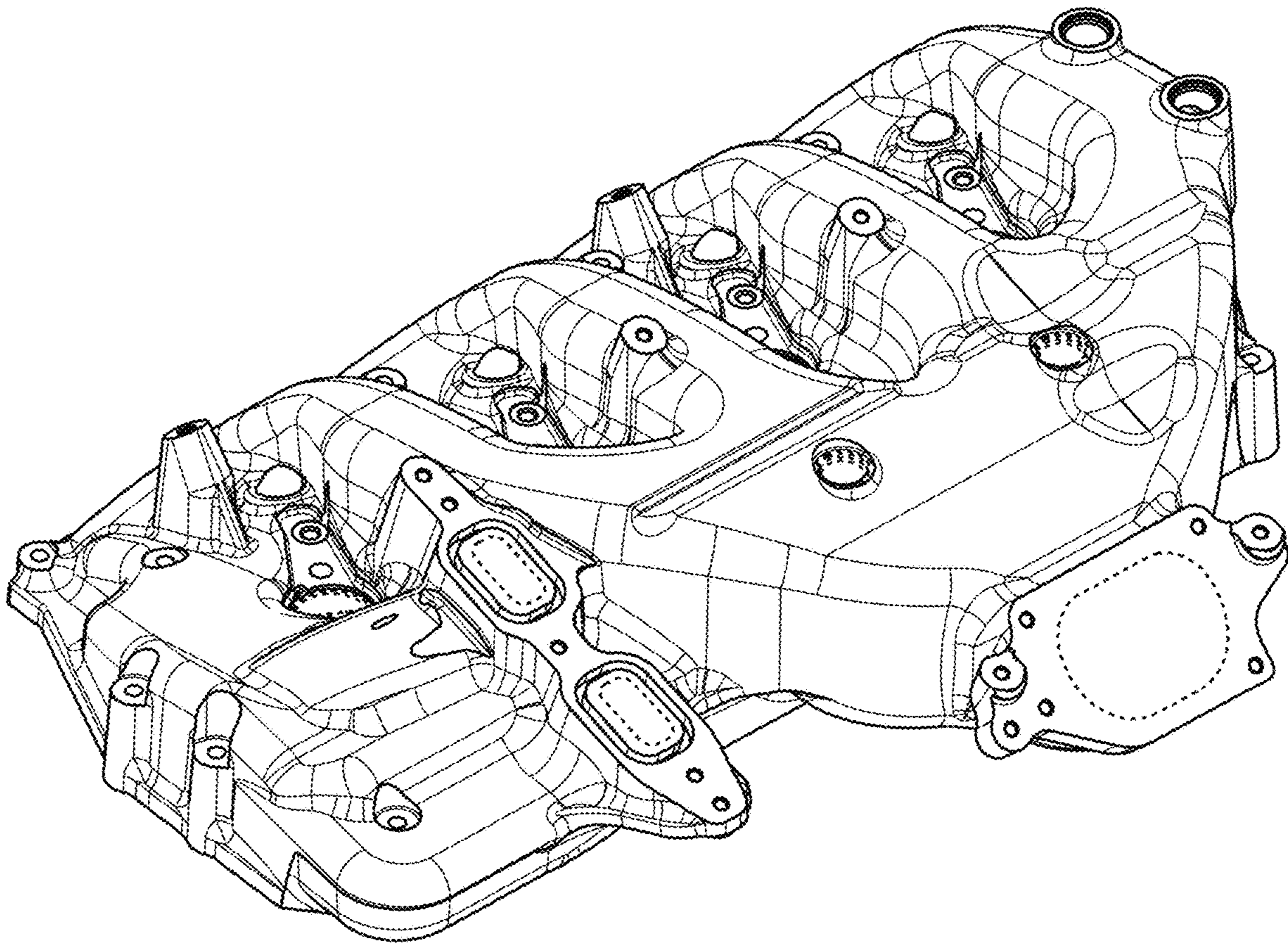


FIG. 4

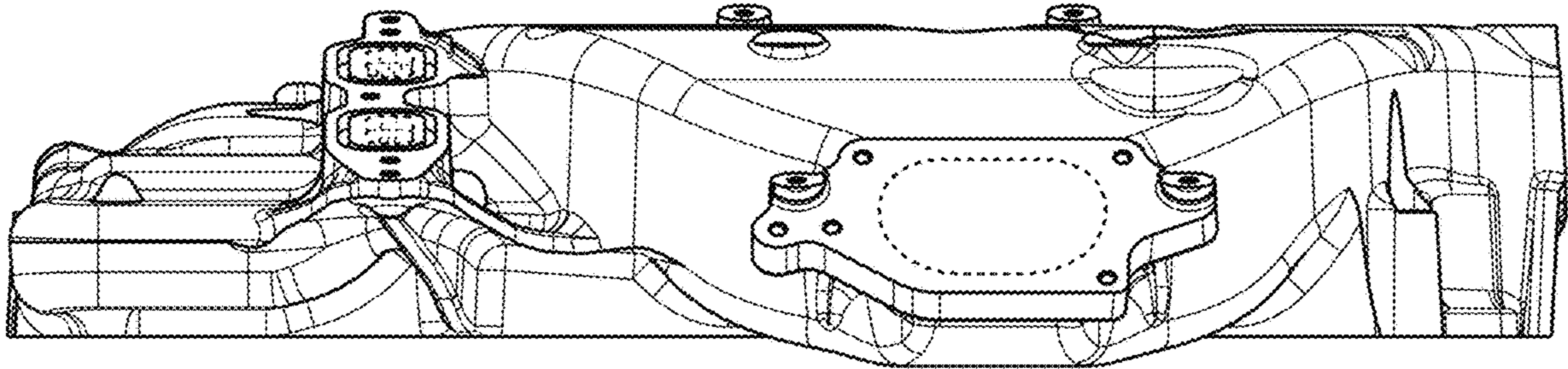


FIG. 5

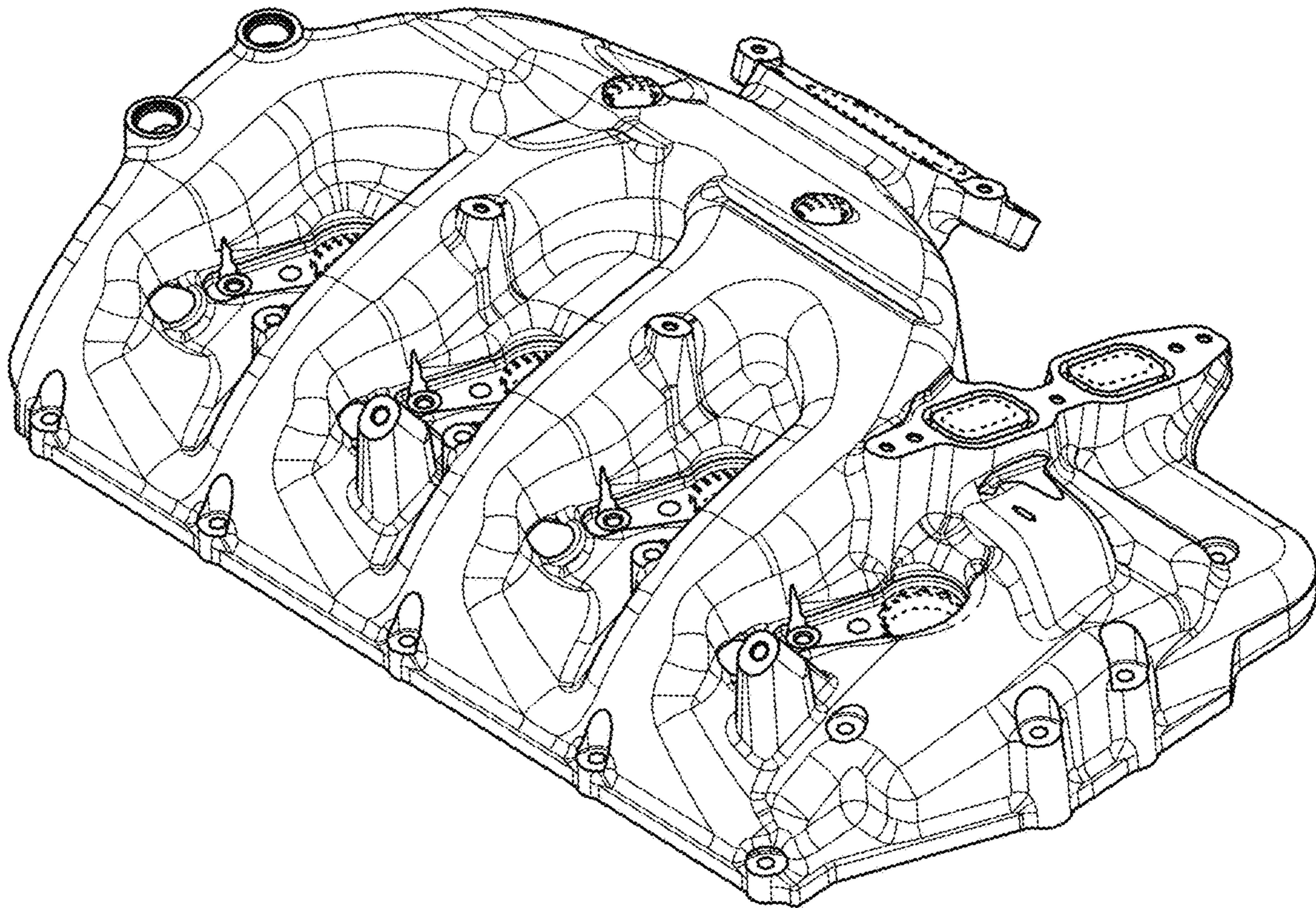


FIG. 6

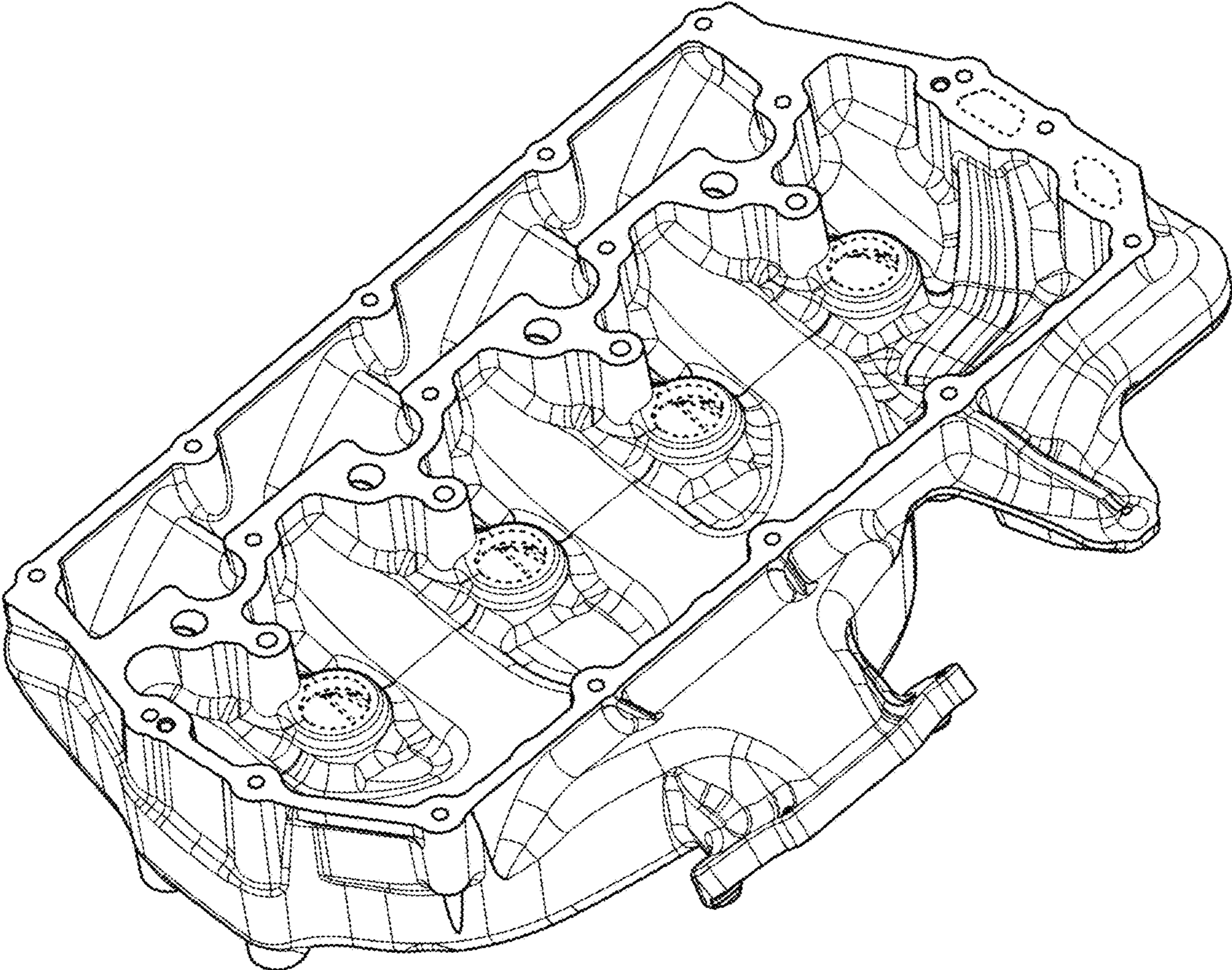


FIG. 7

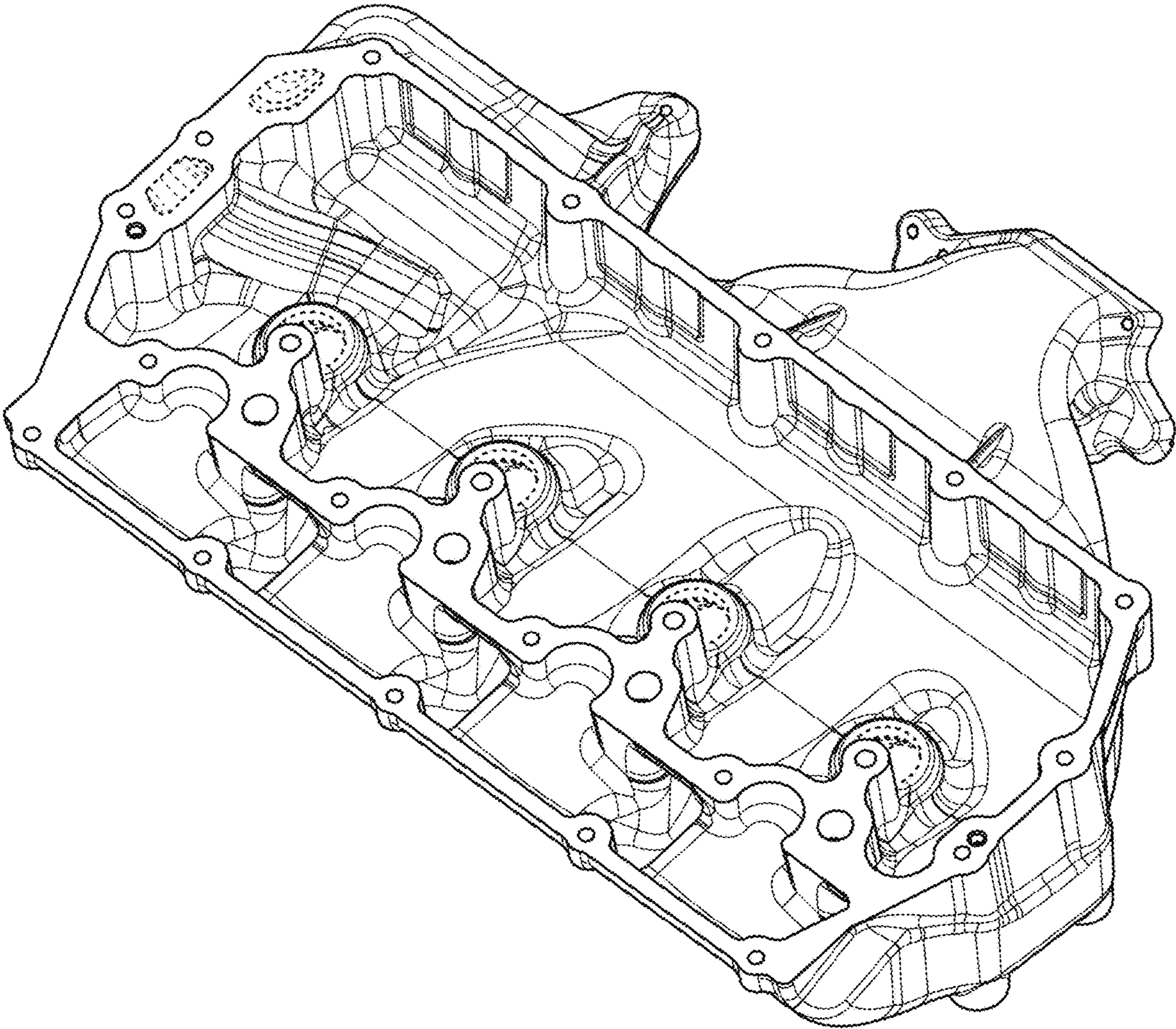


FIG. 8

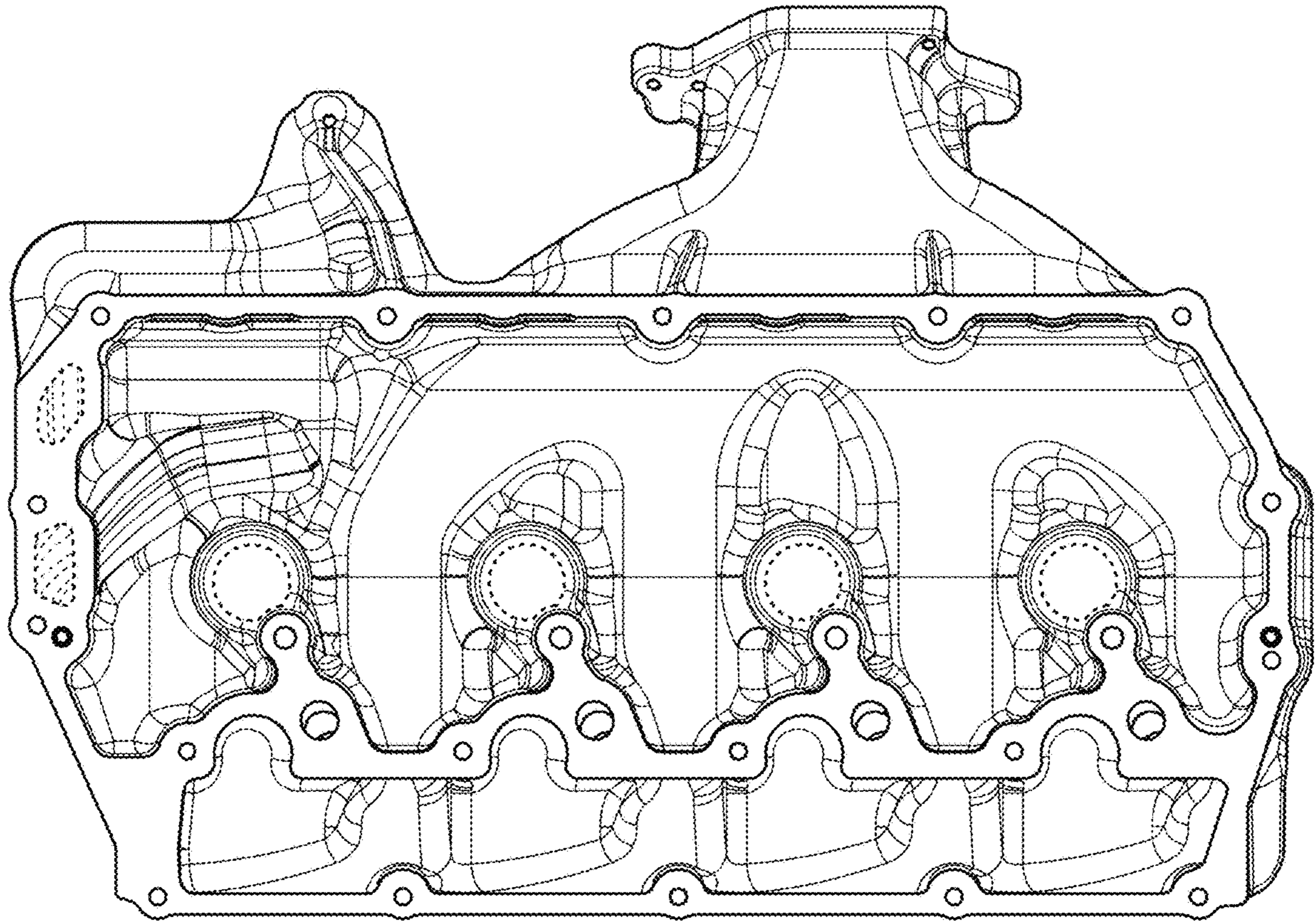


FIG. 9

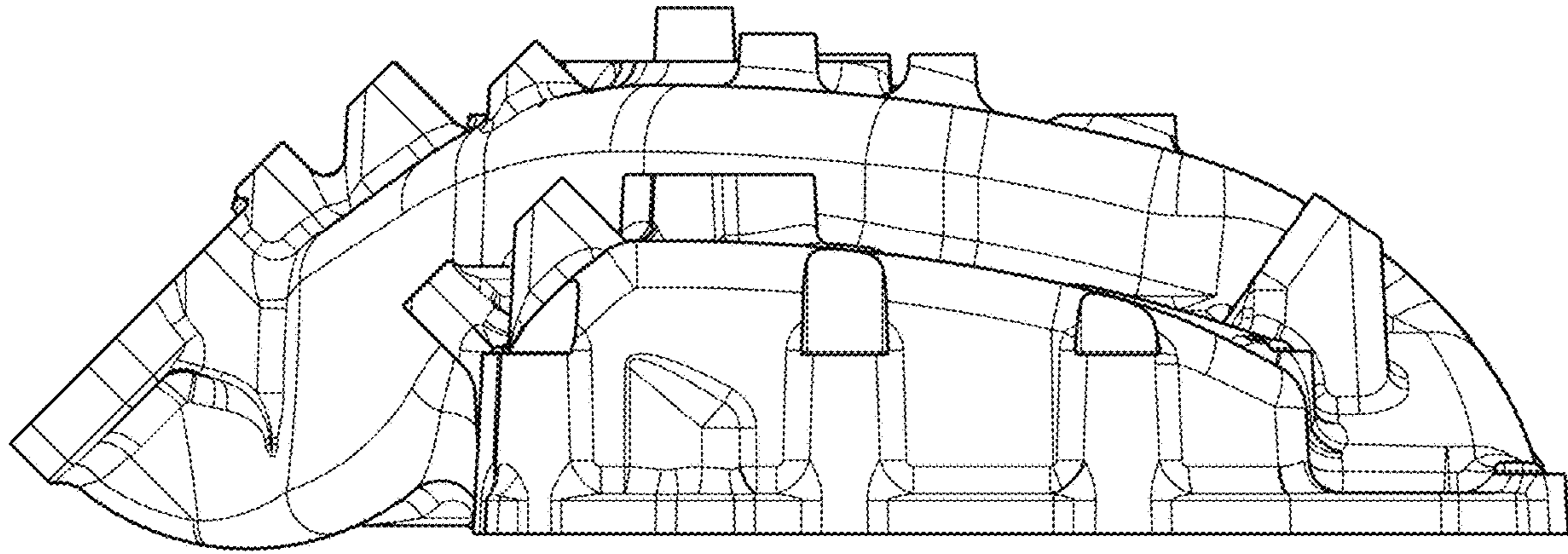


FIG. 10

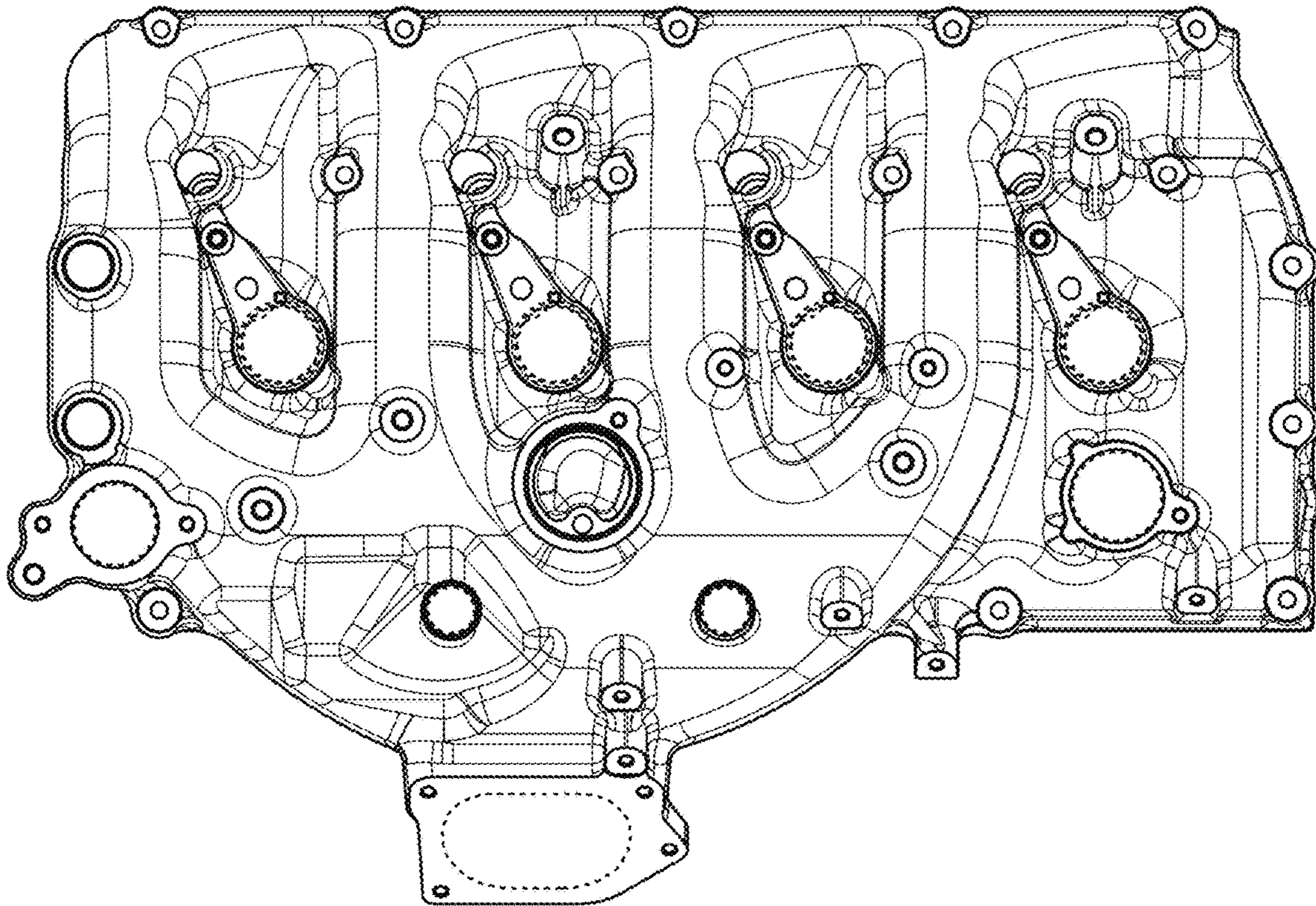


FIG. 11

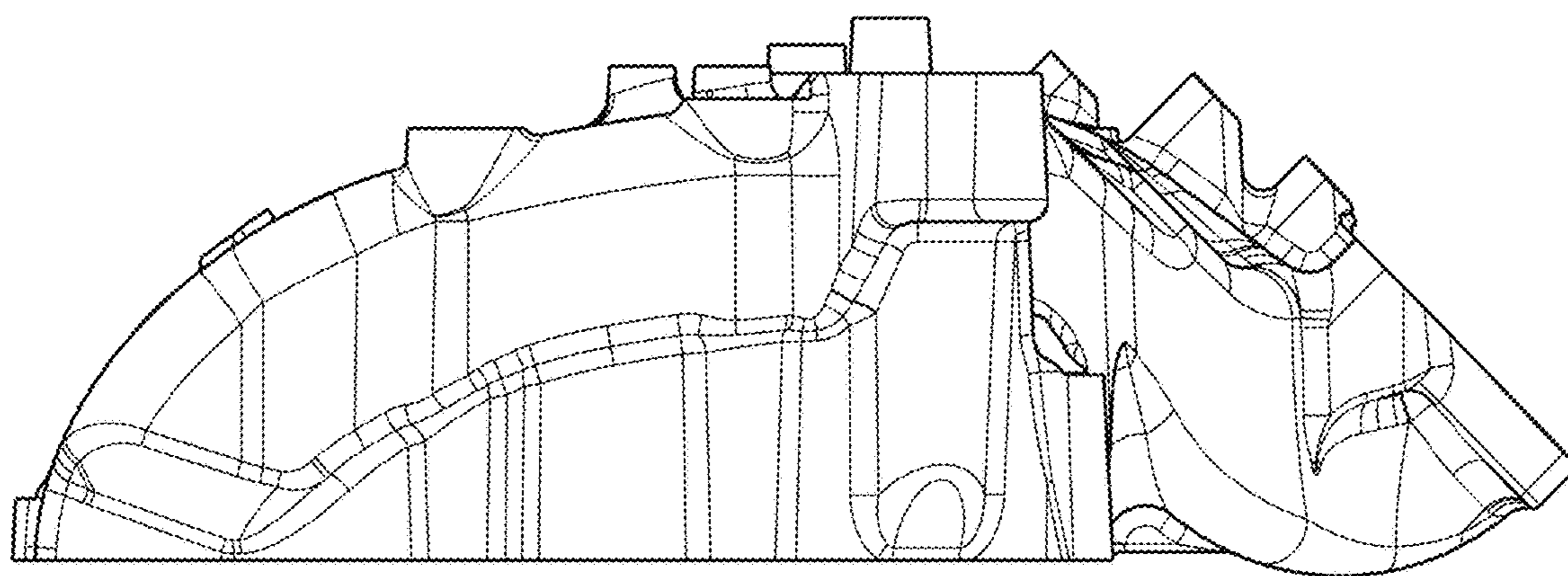


FIG. 12

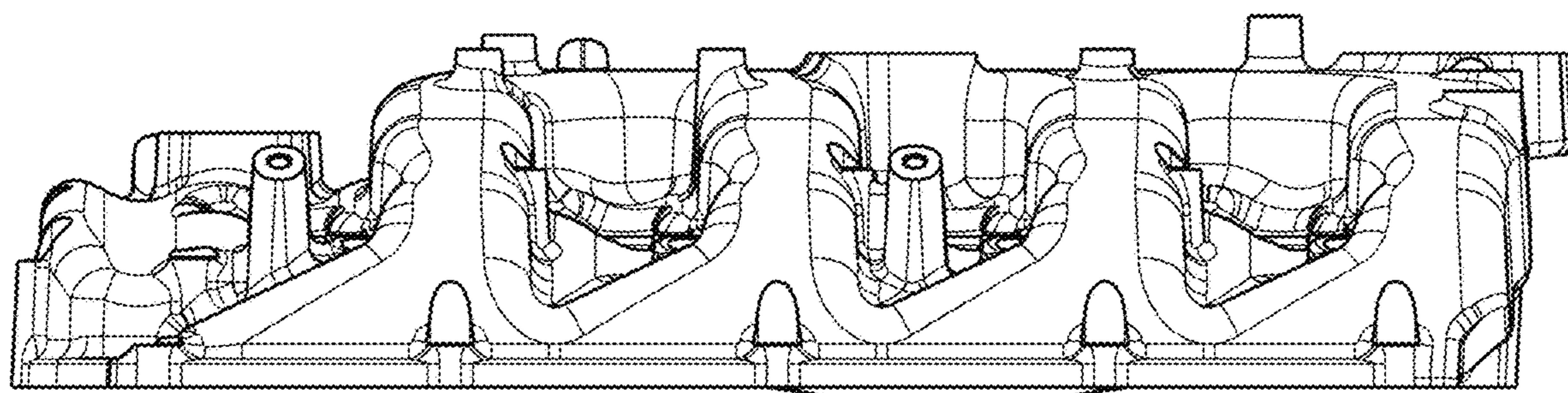


FIG. 13

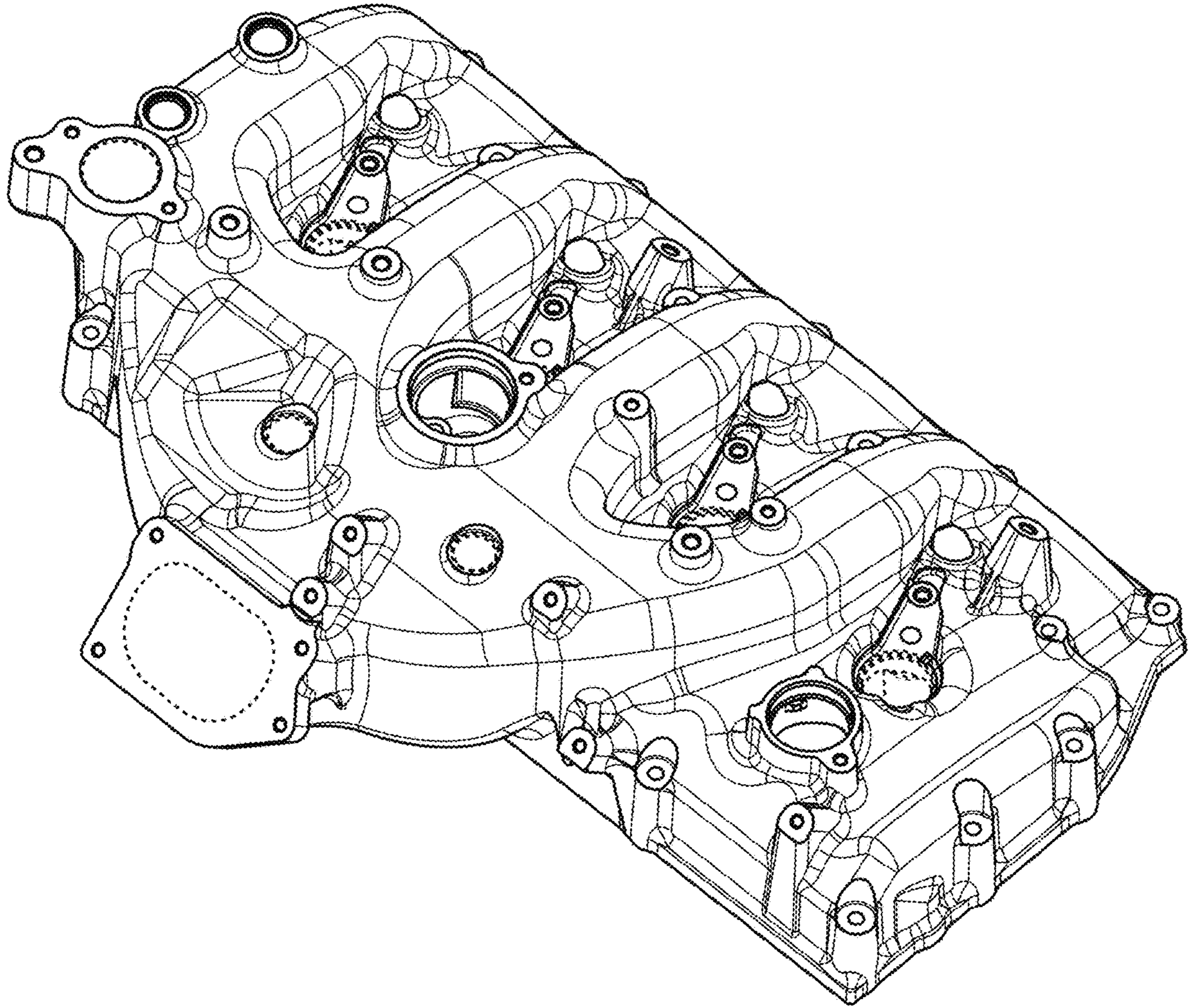


FIG. 14

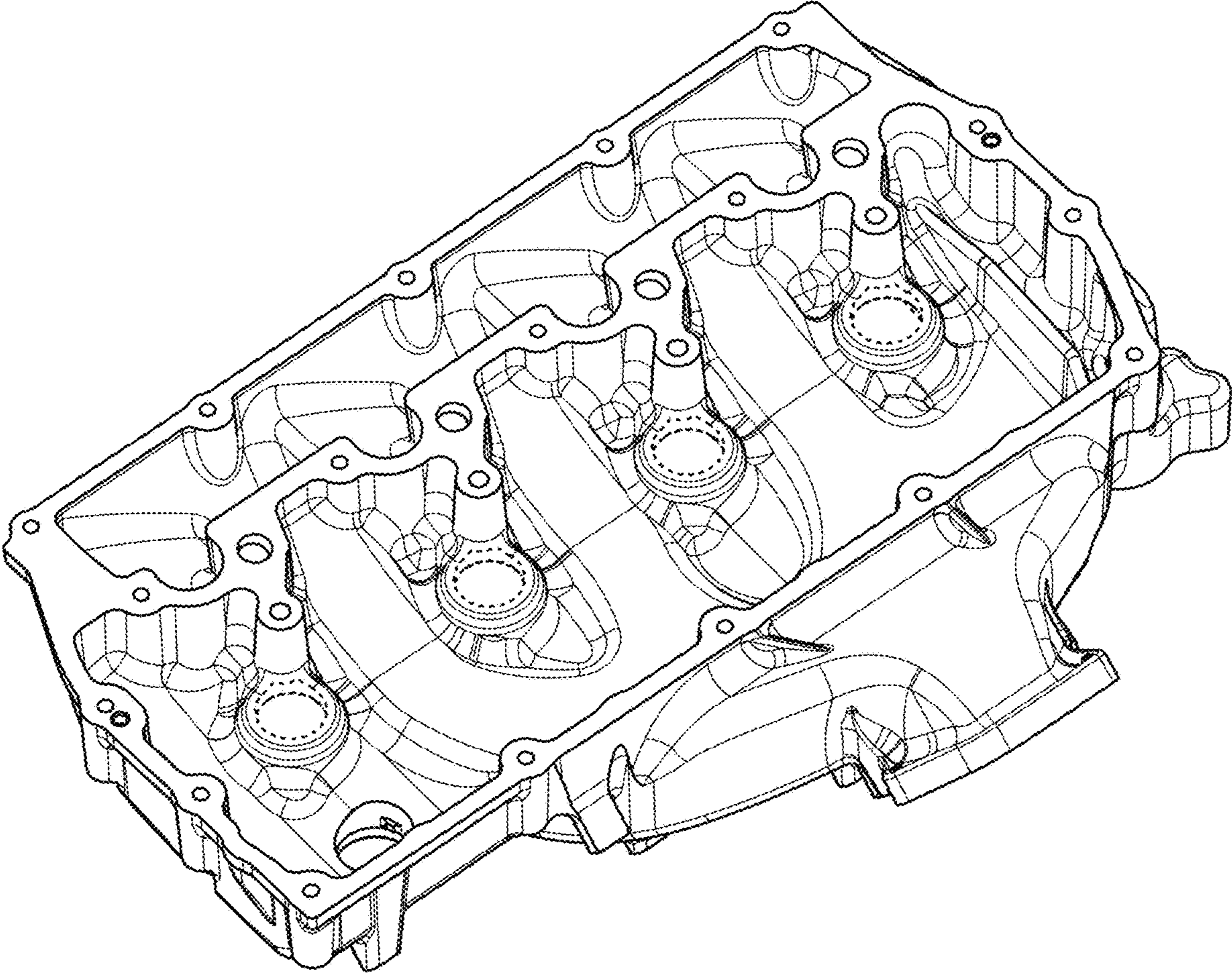


FIG. 15

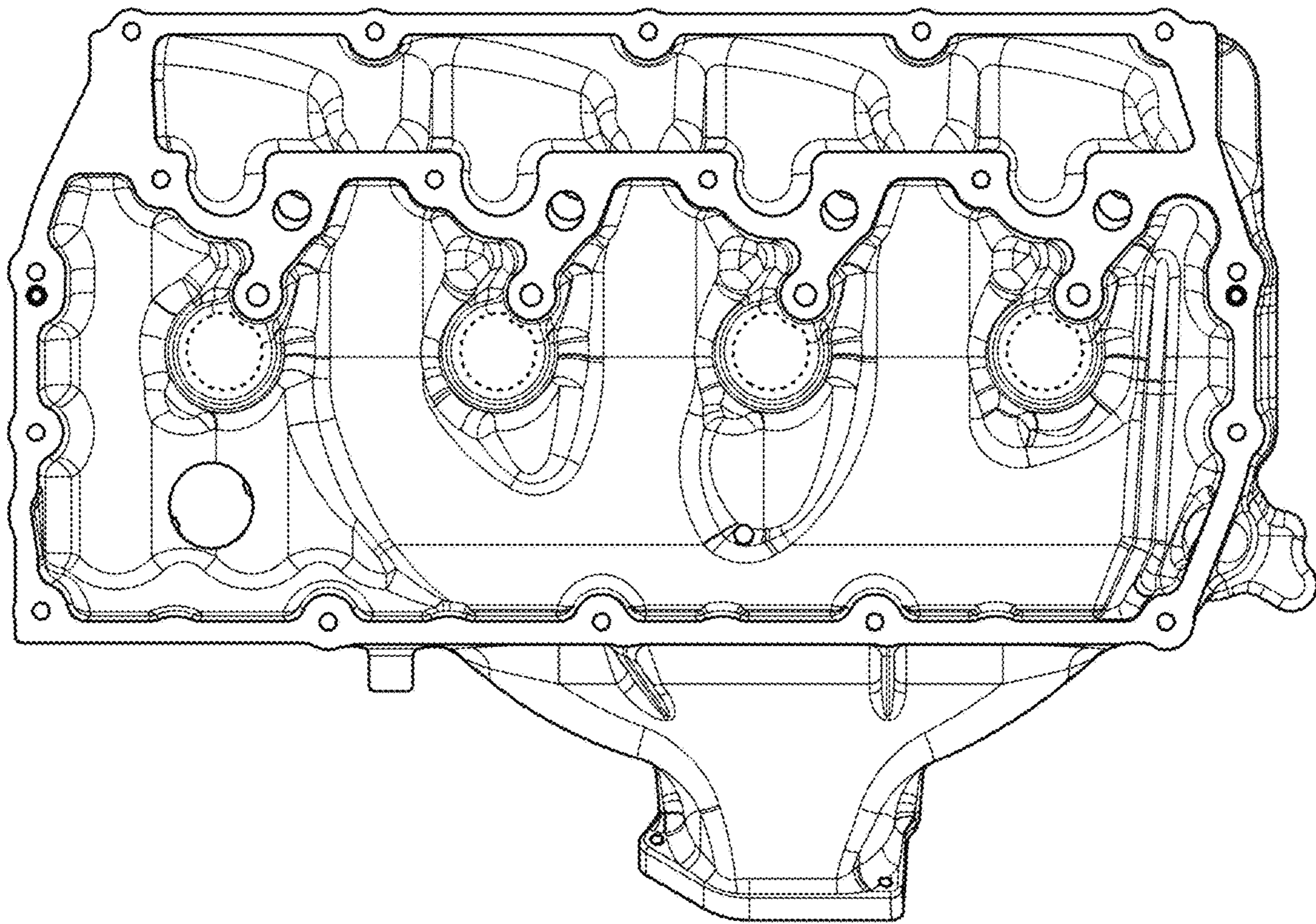


FIG. 16

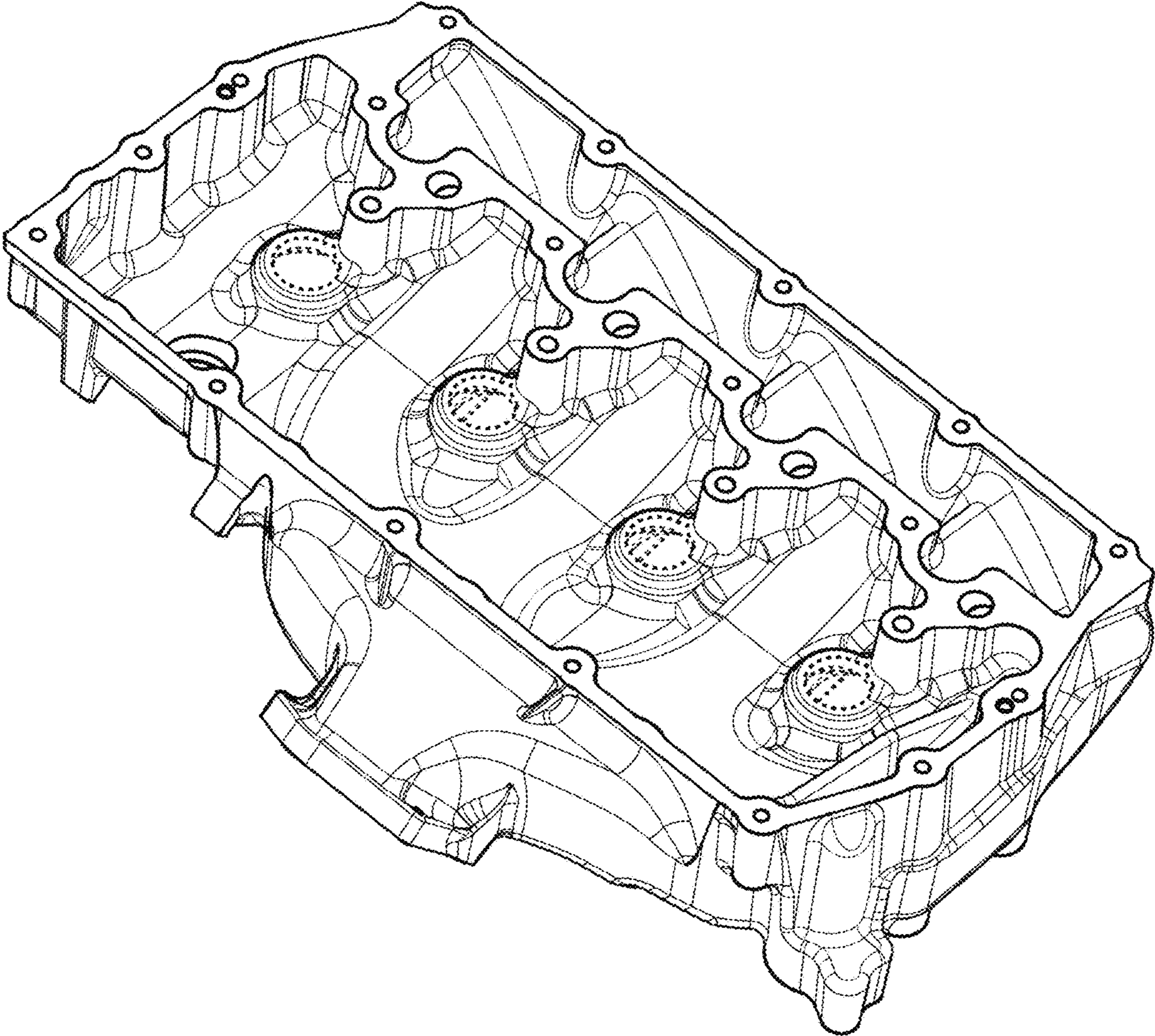


FIG. 17