



US00D880488S

(12) **United States Design Patent** (10) **Patent No.:** **US D880,488 S**  
**Akana et al.** (45) **Date of Patent:** **\*\* Apr. 7, 2020**

(54) **KEYBOARD**

(71) Applicant: **Apple Inc.**, Cupertino, CA (US)

(72) Inventors: **Jody Akana**, San Francisco, CA (US); **Molly Anderson**, San Francisco, CA (US); **Bartley K. Andre**, Palo Alto, CA (US); **Shota Aoyagi**, San Francisco, CA (US); **Anthony Michael Ashcroft**, San Francisco, CA (US); **Jeremy Bataillou**, San Francisco, CA (US); **Daniel J. Coster**, San Francisco, CA (US); **Daniele De Iuliis**, San Francisco, CA (US); **M. Evans Hankey**, San Francisco, CA (US); **Julian Hoenig**, San Francisco, CA (US); **Richard P. Howarth**, San Francisco, CA (US); **Jonathan P. Ive**, San Francisco, CA (US); **Duncan Robert Kerr**, San Francisco, CA (US); **Peter Russell-Clarke**, San Francisco, CA (US); **Benjamin Andrew Shaffer**, San Jose, CA (US); **Mikael Silvanto**, San Francisco, CA (US); **Christopher J. Stringer**, Woodside, CA (US); **Clement Tissandier**, San Francisco, CA (US); **Eugene Antony Whang**, San Francisco, CA (US); **Rico Zörkendörfer**, San Francisco, CA (US)

(73) Assignee: **Apple Inc.**, Cupertino, CA (US)

(\*\*) Term: **15 Years**

(21) Appl. No.: **29/671,284**

(22) Filed: **Nov. 26, 2018**

**Related U.S. Application Data**

(63) Continuation of application No. 29/606,501, filed on Jun. 5, 2017, now Pat. No. Des. 834,586, which is a continuation of application No. 29/558,786, filed on Mar. 21, 2016, now Pat. No. Des. 788,784.

(51) **LOC (12) Cl.** ..... **14-02**

(52) **U.S. Cl.**

USPC ..... **D14/455**

(58) **Field of Classification Search**

USPC ..... D14/250, 315-327, 345, 391-399, 440, D14/455, 456

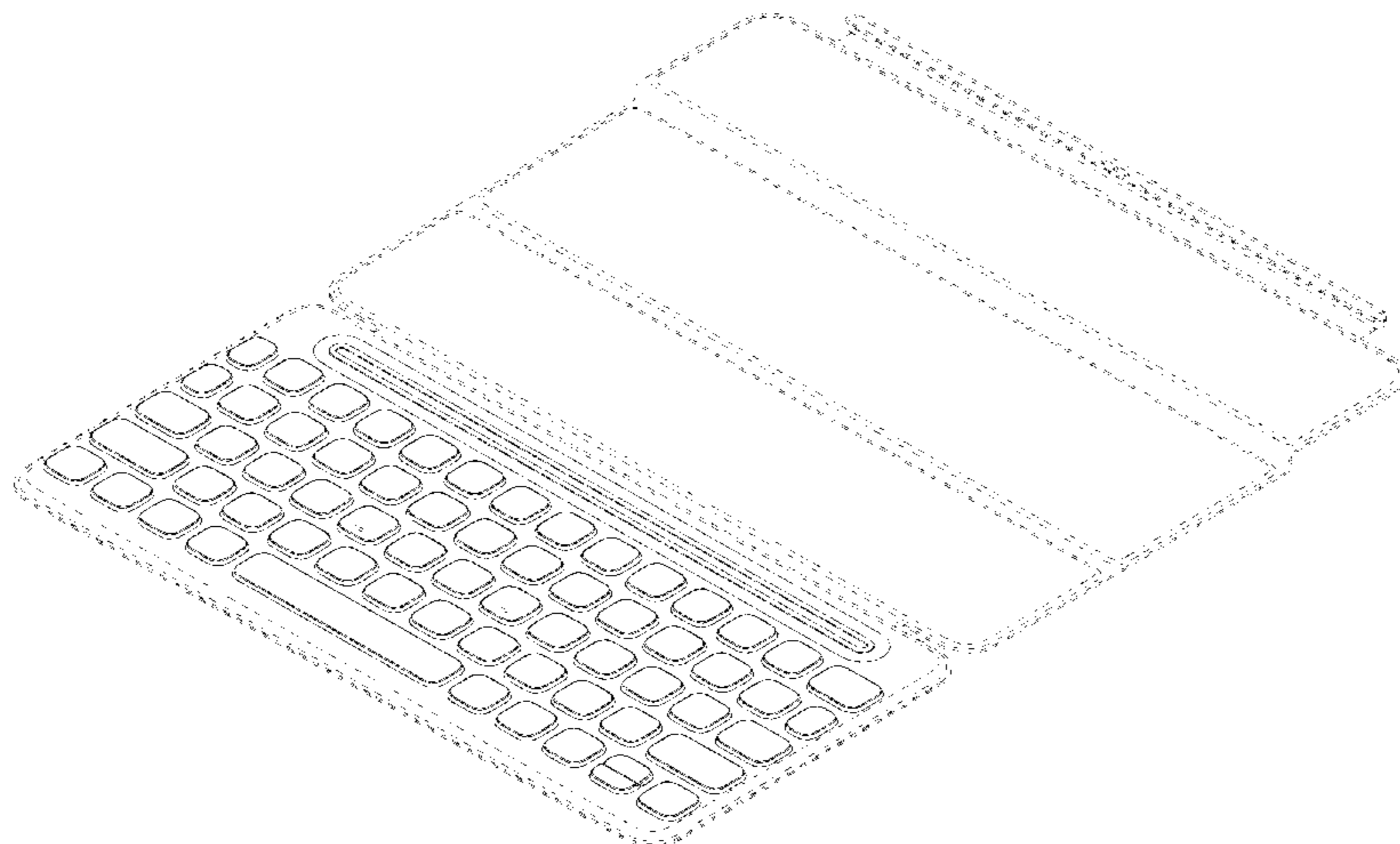
CPC ..... G06F 1/16; G06F 1/1616; G06F 1/1626; G06F 1/1632; G06F 1/1613; G06F 1/1601; G06F 1/1618; G06F 1/162; G06F 3/0221; G06F 3/0216; H01R 35/02; H03M 11/00; G09B 13/04; H03K 17/94; G09G 5/00; F16M 11/10; H05K 5/00; H04M 1/0237; H01H 13/14; H01H 13/84; B41J 5/00; B41J 5/12; B41J 5/10

See application file for complete search history.

(56) **References Cited**

**U.S. PATENT DOCUMENTS**

3,461,009 A	8/1969	Snyder et al.	
D317,935 S	7/1991	Sawano	
D364,191 S	11/1995	Allen	
D409,175 S	5/1999	Renk	
5,908,265 A	6/1999	Mostkoff	
D467,429 S	12/2002	Bone et al.	
D470,150 S *	2/2003	Lewis, Jr. ....	D14/455
D481,735 S	11/2003	Marucci et al.	
6,900,794 B1	5/2005	San	
D516,079 S	2/2006	Solomon et al.	
D525,980 S	8/2006	Wang et al.	
D581,726 S	12/2008	Shamoon	
D582,423 S *	12/2008	Ikeda .....	D14/401
D585,071 S *	1/2009	Ikeda .....	D14/455
D592,211 S	5/2009	Ichise et al.	
D598,451 S	8/2009	Andre et al.	
D604,300 S	11/2009	Andre et al.	
D604,736 S	11/2009	Andre et al.	
D607,826 S	1/2010	Shaw	
D607,827 S	1/2010	Shaw	
D612,843 S	3/2010	Andre et al.	
D616,886 S	6/2010	Andre et al.	
D637,814 S	5/2011	Akana et al.	
D640,695 S	6/2011	Andre et al.	
D645,471 S	9/2011	Gardner et al.	
D645,860 S	9/2011	Andre et al.	
D653,665 S	2/2012	Maruyama	
8,124,216 B2	2/2012	Antonini	
D656,929 S	4/2012	Hsiung	
D658,186 S	4/2012	Akana et al.	
D669,477 S	10/2012	Akana et al.	



D671,114 S 11/2012 Akana et al.  
 D672,353 S 12/2012 Liu  
 D672,360 S 12/2012 Lee et al.  
 D672,781 S 12/2012 Lu  
 D674,800 S 1/2013 Kim  
 D676,048 S 2/2013 McManigal et al.  
 D676,848 S 2/2013 Smith et al.  
 D677,668 S 3/2013 Phillips et al.  
 D678,260 S 3/2013 Bau  
 D678,278 S 3/2013 Brown  
 D678,300 S 3/2013 Groene et al.  
 D679,279 S 4/2013 Yang et al.  
 D679,703 S 4/2013 Tanaka  
 D682,832 S 5/2013 Smith et al.  
 D682,839 S 5/2013 Sampson et al.  
 D685,802 S 7/2013 Canizares et al.  
 D688,251 S 8/2013 Akana et al.  
 D689,059 S 9/2013 Tak et al.  
 D691,135 S 10/2013 Choi  
 D691,151 S 10/2013 Hsu  
 D692,886 S 11/2013 Bates et al.  
 D692,902 S 11/2013 Groene et al.  
 D695,291 S 12/2013 Andre et al.  
 D695,464 S 12/2013 Hardy  
 D695,743 S 12/2013 Akana et al.  
 D696,253 S 12/2013 Akana et al.  
 D696,254 S 12/2013 Groene et al.  
 D696,262 S 12/2013 Groene et al.  
 D696,667 S 12/2013 Helwig et al.  
 D701,214 S 3/2014 Gengler  
 D703,209 S 4/2014 Marcus  
 D704,702 S 5/2014 Akana et al.  
 D704,717 S 5/2014 Tanaka  
 D705,227 S 5/2014 Groene et al.  
 D706,270 S 6/2014 Akana et al.  
 D714,791 S 10/2014 Liu  
 D720,355 S 12/2014 Akana et al.  
 D720,747 S 1/2015 Kim et al.  
 D720,748 S 1/2015 Groene et al.  
 D727,324 S 4/2015 King  
 D731,485 S 6/2015 Kim et al.  
 D731,486 S 6/2015 Kim et al.  
 D735,196 S 7/2015 Son  
 D735,205 S 7/2015 Akana et al.  
 D735,212 S 7/2015 Son  
 D740,113 S 10/2015 Olenick  
 D740,298 S 10/2015 Son et al.  
 D740,831 S 10/2015 Colby  
 D742,740 S 11/2015 Kim et al.  
 D746,819 S 1/2016 Feiz et al.  
 D749,587 S 2/2016 Lee et al.  
 D750,079 S 2/2016 Chen et al.  
 D750,081 S 2/2016 Jeong et al.  
 D750,094 S 2/2016 Gengler  
 D750,095 S 2/2016 Jeong et al.  
 D750,629 S 3/2016 Kim et al.  
 D751,553 S 3/2016 Kim et al.  
 D751,567 S 3/2016 Seoc et al.  
 D753,648 S 4/2016 Shyu et al.  
 D754,652 S 4/2016 Roberts et al.  
 D754,659 S 4/2016 Kim et al.  
 D757,023 S 5/2016 Bowers et al.  
 D758,377 S 6/2016 Warren et al.  
 D761,267 S 7/2016 Chen et al.  
 D765,630 S 9/2016 Harata et al.  
 D772,885 S 11/2016 Akana et al.  
 D772,886 S 11/2016 Akana et al.  
 D773,474 S 12/2016 Akana et al.  
 D775,133 S 12/2016 Akana et al.  
 D775,630 S \* 1/2017 Starrett ..... D14/455  
 D776,115 S 1/2017 Akana et al.  
 D776,116 S 1/2017 Akana et al.  
 D778,918 S 2/2017 Sauvage  
 D779,485 S 2/2017 Akana et al.  
 D779,489 S 2/2017 Akana et al.  
 D779,490 S 2/2017 Akana et al.  
 D780,758 S 3/2017 Bailey et al.  
 D780,800 S 3/2017 Bi  
 D786,249 S 5/2017 Feiz et al.

D788,784 S 6/2017 Akana et al.  
 D789,934 S 6/2017 Akana et al.  
 D789,941 S \* 6/2017 Sauvage ..... D14/455  
 D789,942 S 6/2017 Bailey et al.  
 D791,780 S 7/2017 Bailey et al.  
 D797,111 S 9/2017 Sauvage et al.  
 D799,485 S 10/2017 Kim et al.  
 D799,496 S 10/2017 Bailey et al.  
 D801,973 S 11/2017 Feng  
 D820,838 S 6/2018 Akana et al.  
 D820,839 S 6/2018 Akana et al.  
 D820,840 S 6/2018 Akana et al.  
 D820,841 S 6/2018 Akana et al.  
 D834,586 S 11/2018 Akana et al.  
 2007/0121311 A1 5/2007 Chou  
 2008/0266782 A1 10/2008 Zhang  
 2009/0159763 A1 6/2009 Kim  
 2009/0283393 A1 11/2009 Chen et al.  
 2011/0042195 A1 2/2011 Tsai  
 2011/0227463 A1 9/2011 Hou et al.  
 2012/0140396 A1 6/2012 Zelif et al.  
 2012/0194448 A1 8/2012 Rothkopf  
 2012/0211377 A1 8/2012 Sajid  
 2012/0261289 A1 10/2012 Wynder et al.  
 2013/0233762 A1 9/2013 Balaji et al.  
 2014/0158645 A1 6/2014 Thomas  
 2014/0186085 A1 7/2014 Zhang  
 2014/0267050 A1 9/2014 Spollen et al.  
 2016/0018854 A1 1/2016 Yu et al.  
 2016/0119011 A1 4/2016 Thompson et al.

FOREIGN PATENT DOCUMENTS

JP D1475195 S 7/2013  
 JP D1517990 S 2/2015  
 JP D1537210 S 11/2015  
 JP D1547736 S 4/2016  
 KR 30-0779797 S 1/2015

OTHER PUBLICATIONS

Belkin International, Inc., “Belkin Expands Keyboard Lineup to New Apple Ipad Mini,” dated Nov. 14, 2012.  
 Wayback Machine Internet Archive, Tangram Design Lab Inc., “Smart Top: IP AD and Wireless Keyboard at a Time” <<https://web.archive.org/web/20121013124127/http://tangramdesignlab.com/smarttop/en!>> dated Oct. 13, 2012, accessed Nov. 9, 2016.

\* cited by examiner

Primary Examiner — Keli L Hill  
 Assistant Examiner — Harold E Blackwell, II  
 (74) Attorney, Agent, or Firm — Sterne, Kessler, Goldstein & Fox P.L.L.C.

(57) CLAIM

The ornamental design for a keyboard, as shown and described.

DESCRIPTION

FIG. 1 is a top front perspective view of a keyboard cover showing our new design;  
 FIG. 2 is a bottom rear perspective view thereof;  
 FIG. 3 is a front view thereof;  
 FIG. 4 is a rear view thereof;  
 FIG. 5 is a left side view thereof;  
 FIG. 6 is a right side view thereof;  
 FIG. 7 is a top view thereof; and,  
 FIG. 8 is a bottom view thereof.

The dashed broken lines in the figures show portions of the keyboard that form no part of the claimed design.

**1 Claim, 6 Drawing Sheets**

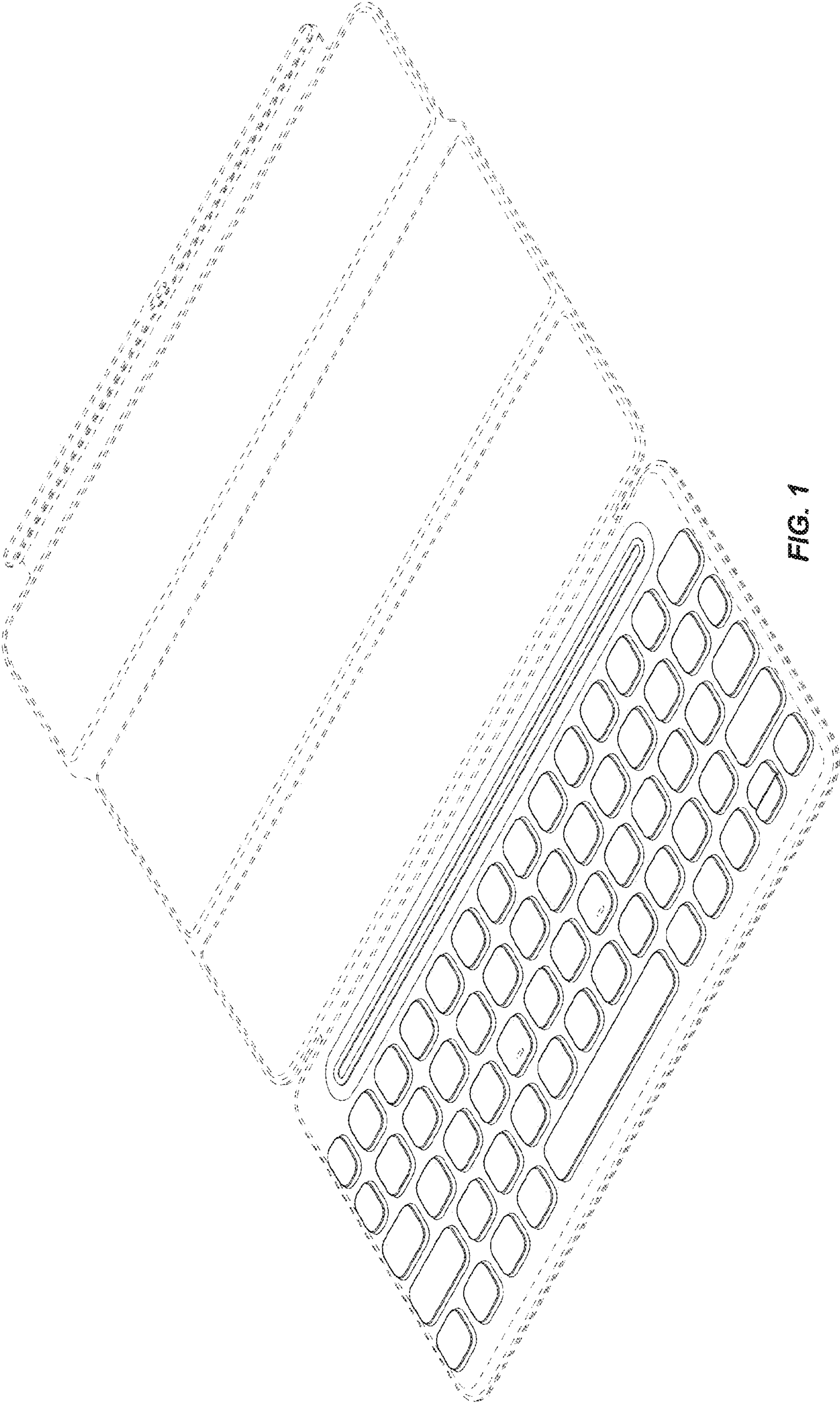


FIG. 1

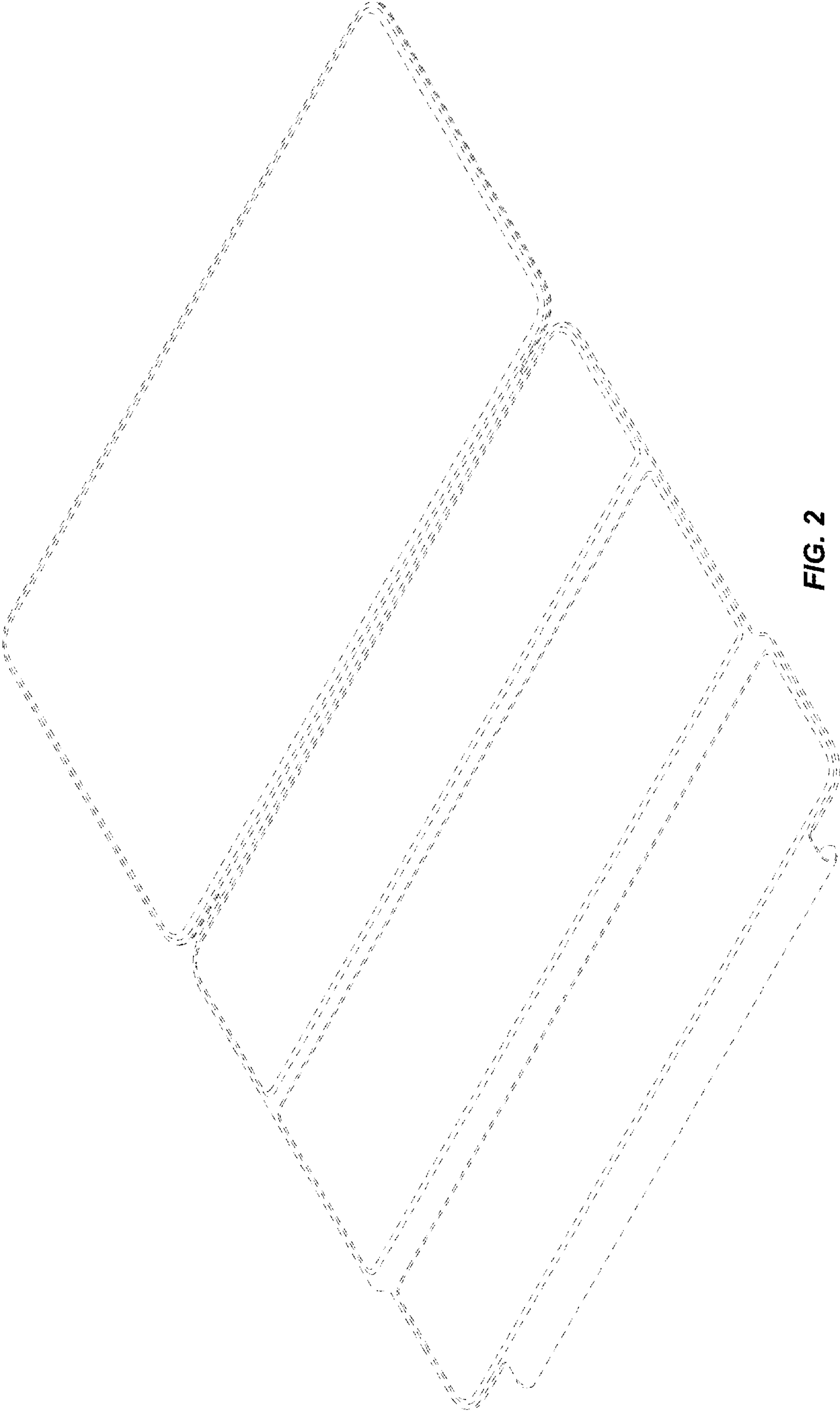


FIG. 2

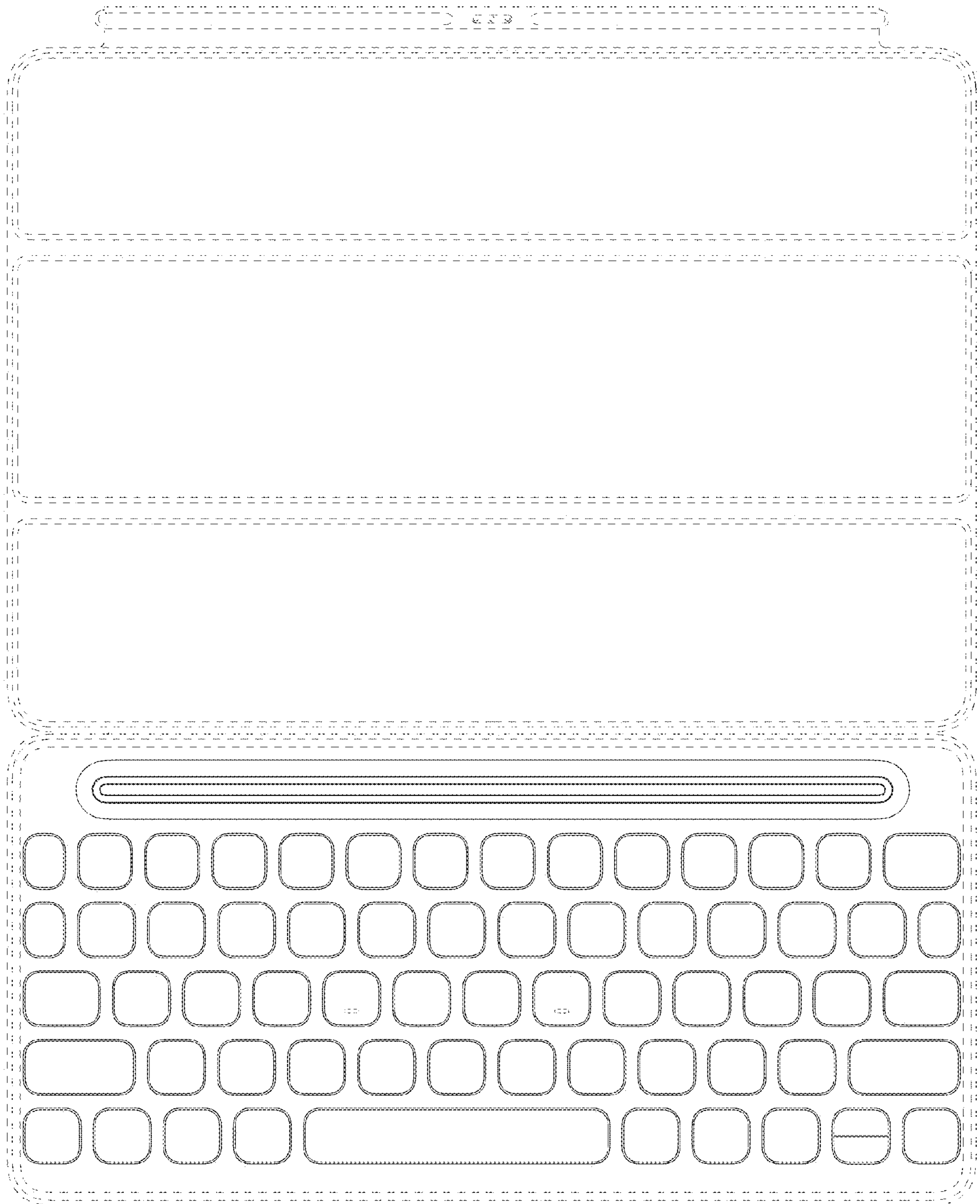


FIG. 3

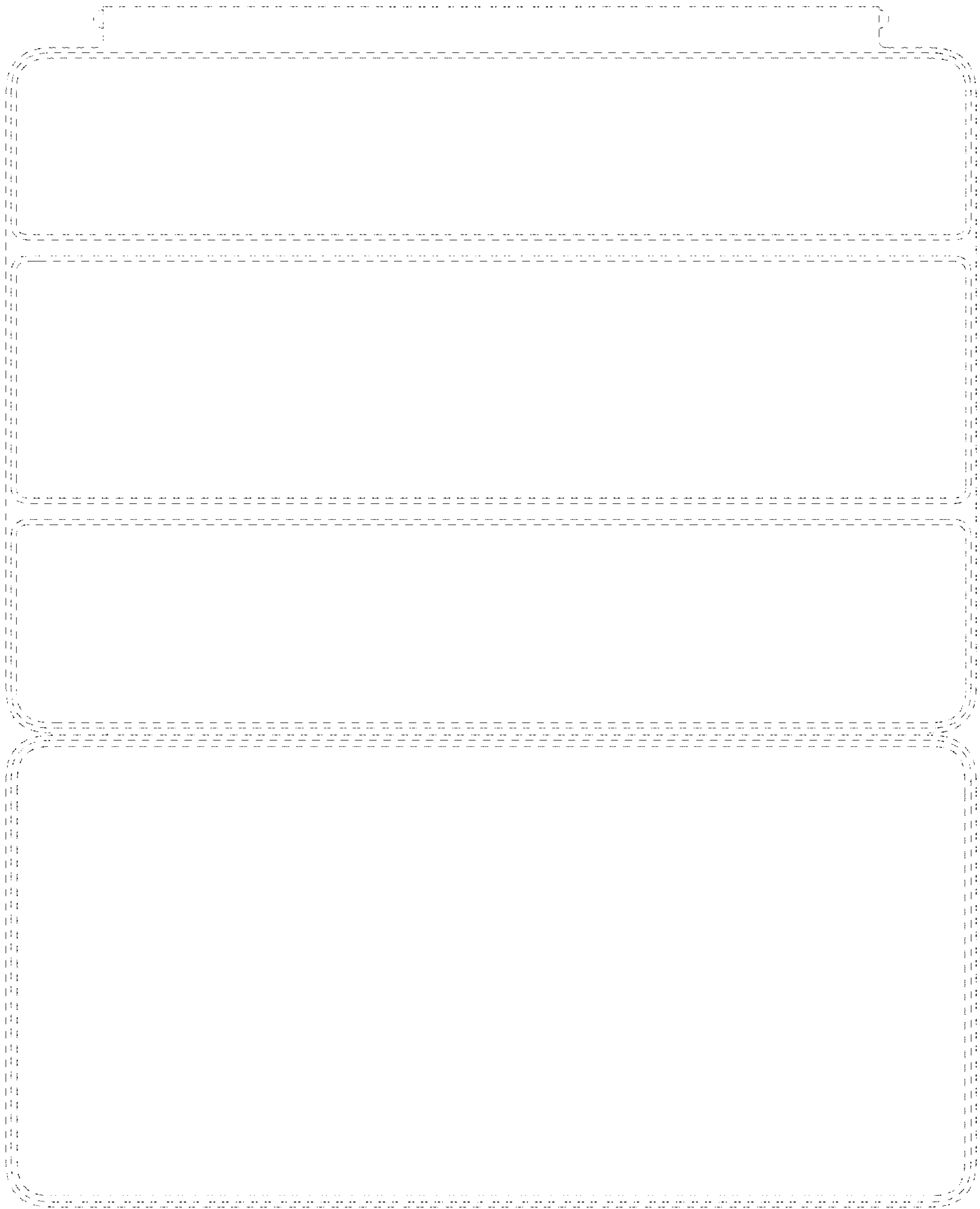


FIG. 4

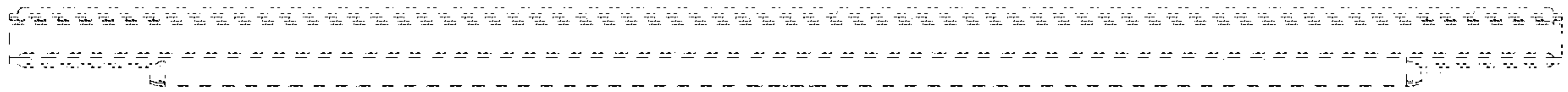


**FIG. 5**



**FIG. 6**





**FIG. 7**



**FIG. 8**

UNITED STATES PATENT AND TRADEMARK OFFICE  
**CERTIFICATE OF CORRECTION**

PATENT NO. : D880,488 S  
APPLICATION NO. : 29/671284  
DATED : April 7, 2020  
INVENTOR(S) : Akana et al.

Page 1 of 1

It is certified that error appears in the above-identified patent and that said Letters Patent is hereby corrected as shown below:

On the Title Page

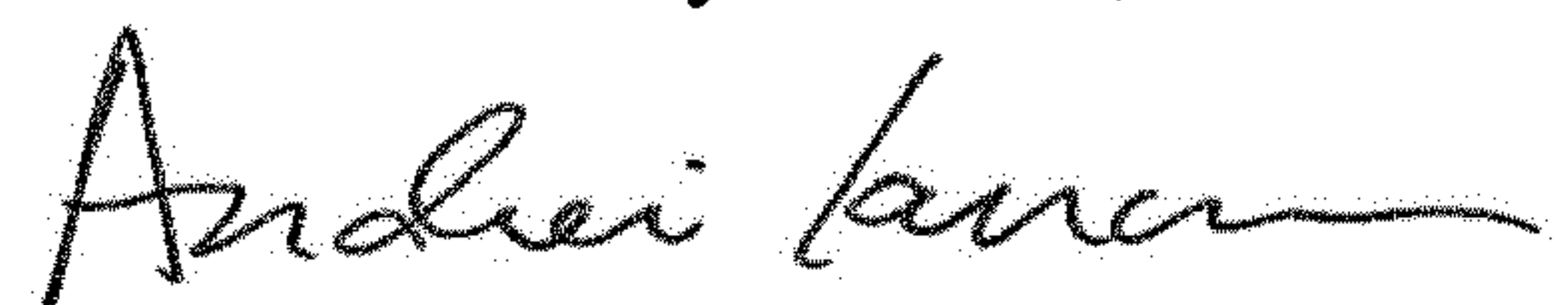
In the Description section, please replace:

“FIG. 1 is a top front perspective view of a keyboard cover showing our new design;”

With:

--FIG. 1 is a top front perspective view of a keyboard showing our new design;--

Signed and Sealed this  
Second Day of June, 2020



Andrei Iancu  
*Director of the United States Patent and Trademark Office*