



US00D880486S

(12) **United States Design Patent** (10) **Patent No.:** **US D880,486 S**
Moore et al. (45) **Date of Patent:** **** Apr. 7, 2020**

(54) **DEVICE MOUNT**
(71) Applicant: **Amazon Technologies, Inc.**, Seattle, WA (US)
(72) Inventors: **Jesse Moore**, Oakland, CA (US); **Emmanuel Laffon de Mazieres**, Burlingame, CA (US)
(73) Assignee: **Amazon Technologies, Inc.**, Seattle, WA (US)
(**) Term: **15 Years**
(21) Appl. No.: **29/663,296**
(22) Filed: **Sep. 13, 2018**
(51) **LOC (12) Cl.** **08-07**
(52) **U.S. Cl.**
USPC **D14/447**
(58) **Field of Classification Search**
USPC D14/447, 432, 434, 439, 440, 451, 452, D14/457, 239, 337, 253; D8/363, 373, D8/380; D6/406.3, 406.4, 406.5, 406.6; D12/415
CPC A47B 21/04; A47B 2097/006; A47B 2097/005; A47B 2023/049; A45C 2011/002; A45C 2011/003; F16M 2200/00; F16M 13/00
See application file for complete search history.

D703,673 S * 4/2014 Kittlaus D14/447
D714,793 S * 10/2014 Kim D14/447
D721,712 S * 1/2015 Byrne D14/447
D756,367 S * 5/2016 Kim D14/447
D776,667 S * 1/2017 Fujioka D14/447
D786,882 S * 5/2017 Cho D14/447
D829,725 S * 10/2018 Luo D14/447
D842,305 S * 3/2019 Gao D14/447

OTHER PUBLICATIONS

Indian Office Action dated Mar. 13, 2019 for Indian Patent Application No. 315438-001, a counterpart of U.S. Appl. No. 29/663,296, 2 pages.
Translated Korean Office Action dated Sep. 19, 2019 for Korean Patent Application No. 30/2019-7575, a counterpart of U.S. Appl. No. 29/663,296, 4 pages.

* cited by examiner

Primary Examiner — Angela J Lee
(74) *Attorney, Agent, or Firm* — Lee & Hayes, P.C.

(57) **CLAIM**

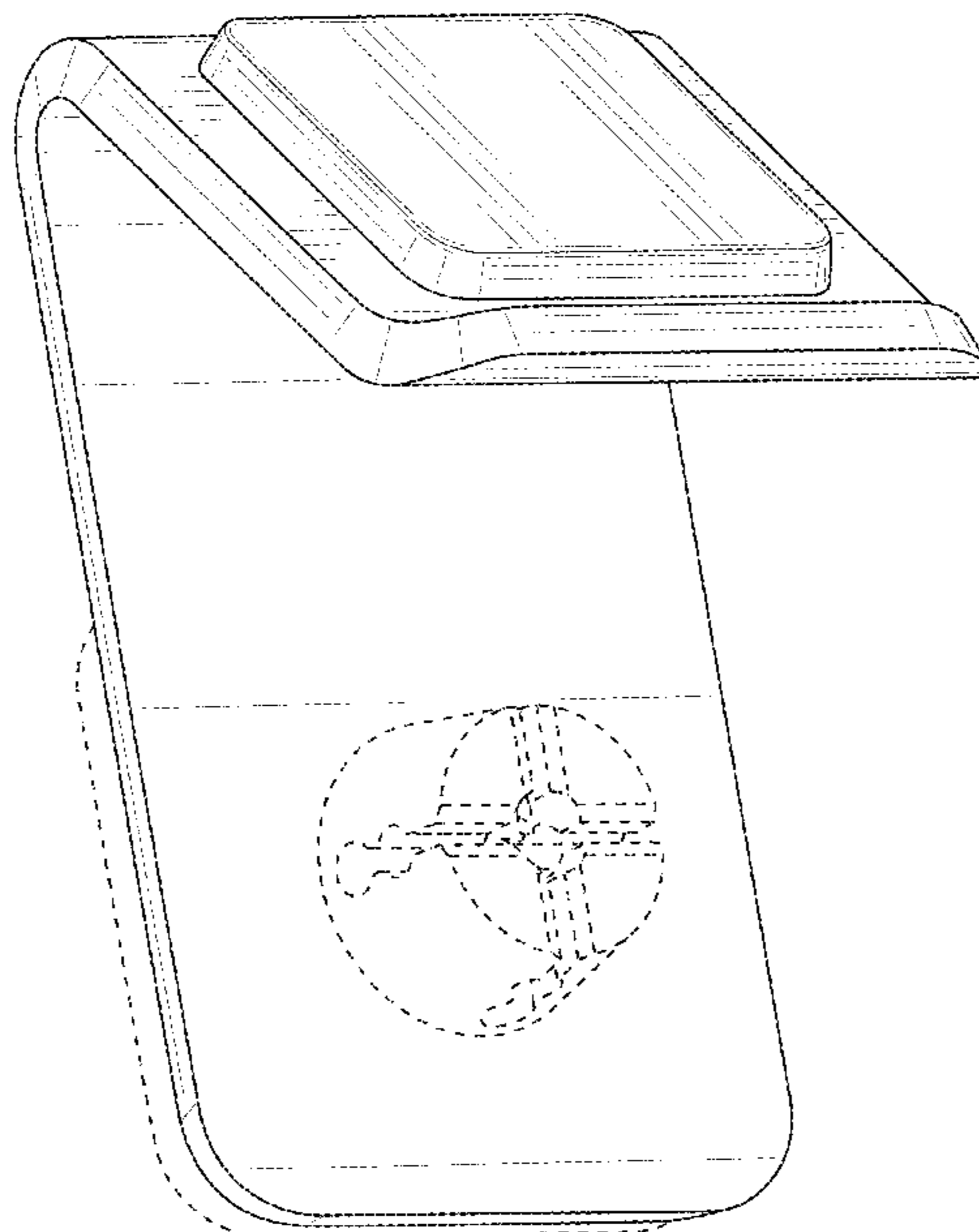
The ornamental design for a device mount, as shown and described.

DESCRIPTION

FIG. 1 is a top perspective view of a device mount; FIG. 2 is a bottom perspective view thereof; FIG. 3 is a front view thereof; FIG. 4 is a back view thereof; FIG. 5 is a left-side view thereof; FIG. 6 is a right-side view thereof; FIG. 7 is a top view thereof; and, FIG. 8 is a bottom view thereof.
The dashed broken lines depict portions of the device mount that form no part of the claimed design.

1 Claim, 8 Drawing Sheets

(56) **References Cited**
U.S. PATENT DOCUMENTS
D648,727 S * 11/2011 Van Den Nieuwenhuizen D14/447
D664,528 S * 7/2012 Chen D14/253
D677,260 S * 3/2013 Hong D14/447
D692,435 S * 10/2013 Bremenkamp D14/447
D692,899 S * 11/2013 Bremenkamp D14/447



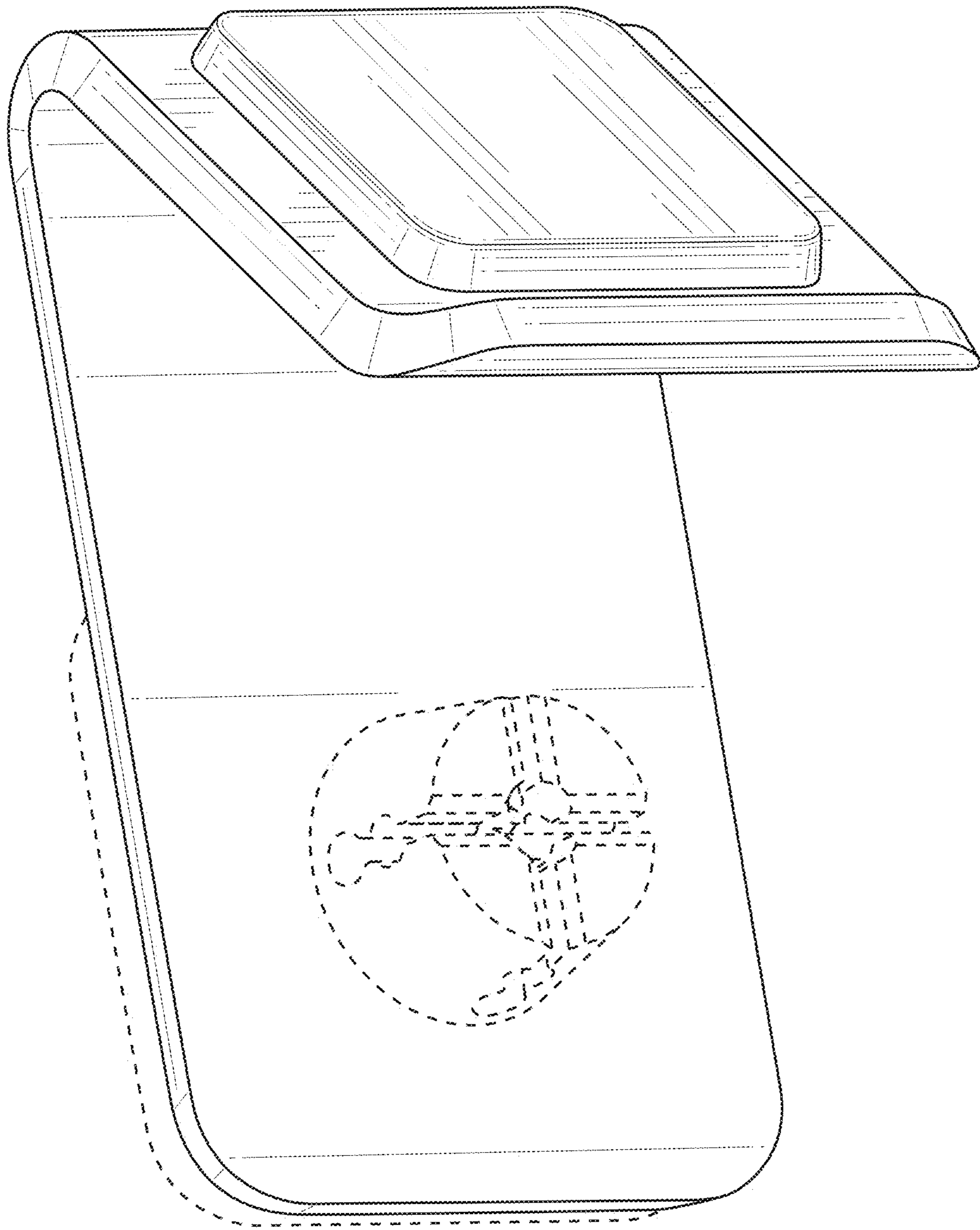


FIG. 1

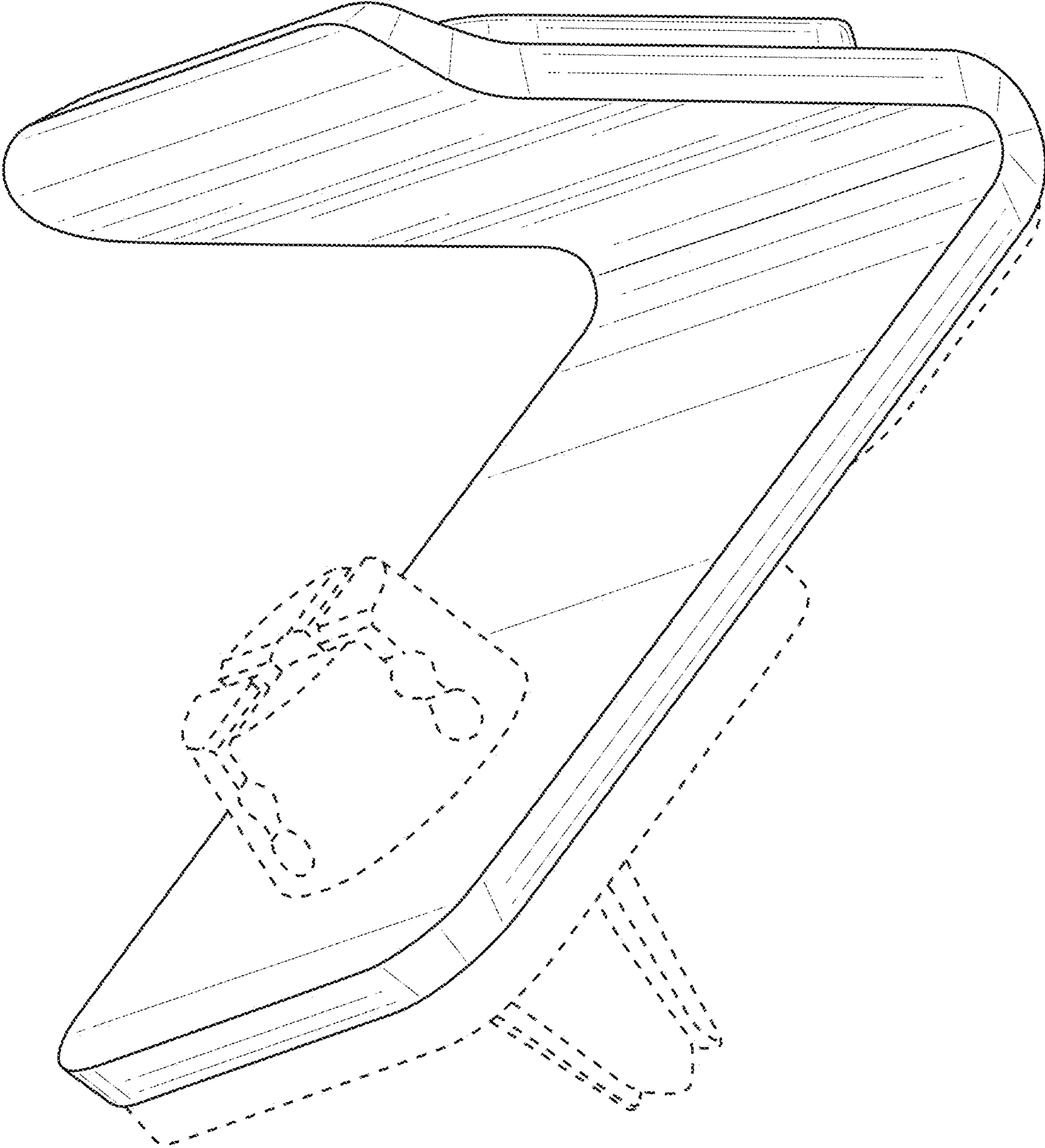


FIG. 2

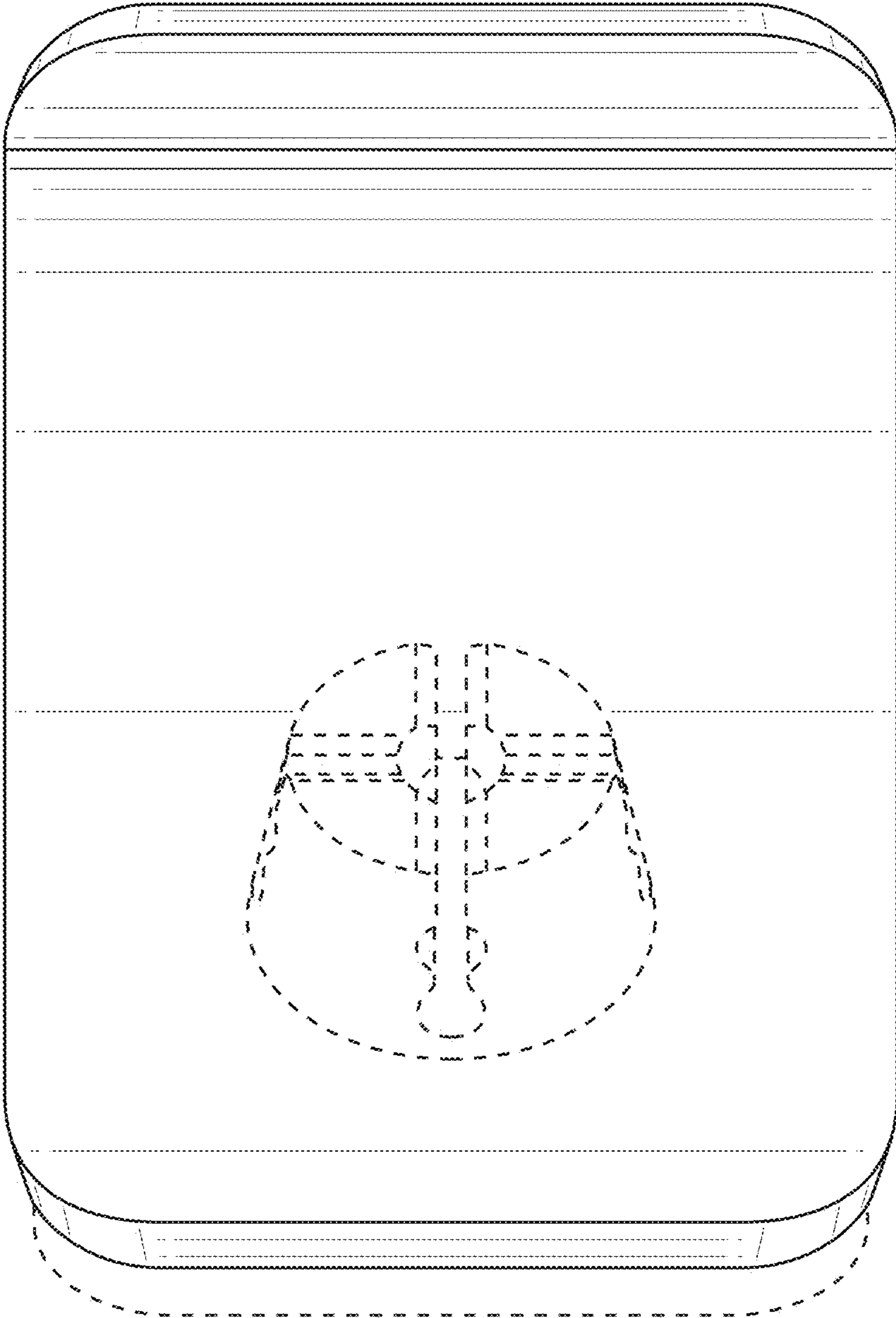


FIG. 3

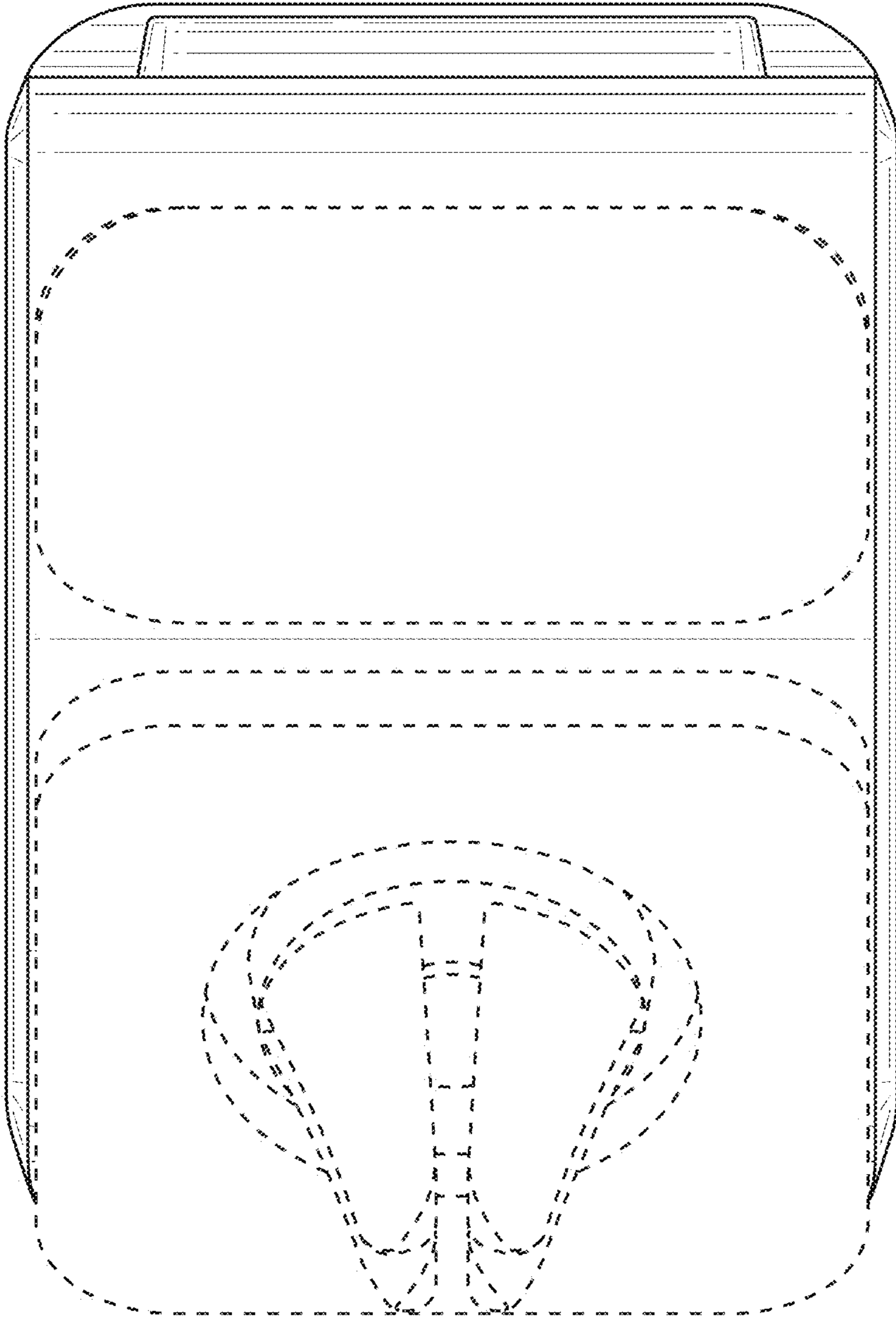


FIG. 4

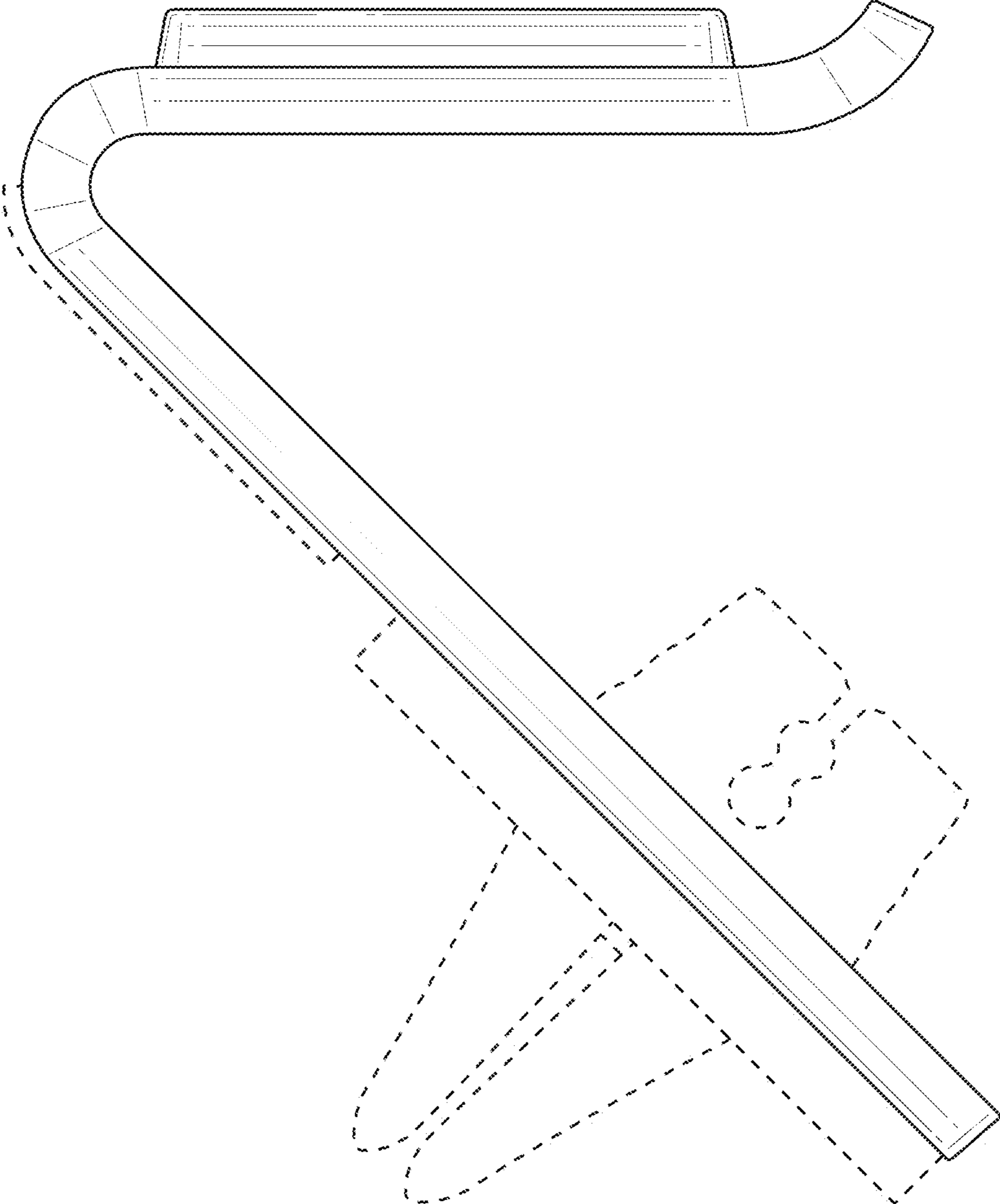


FIG. 5

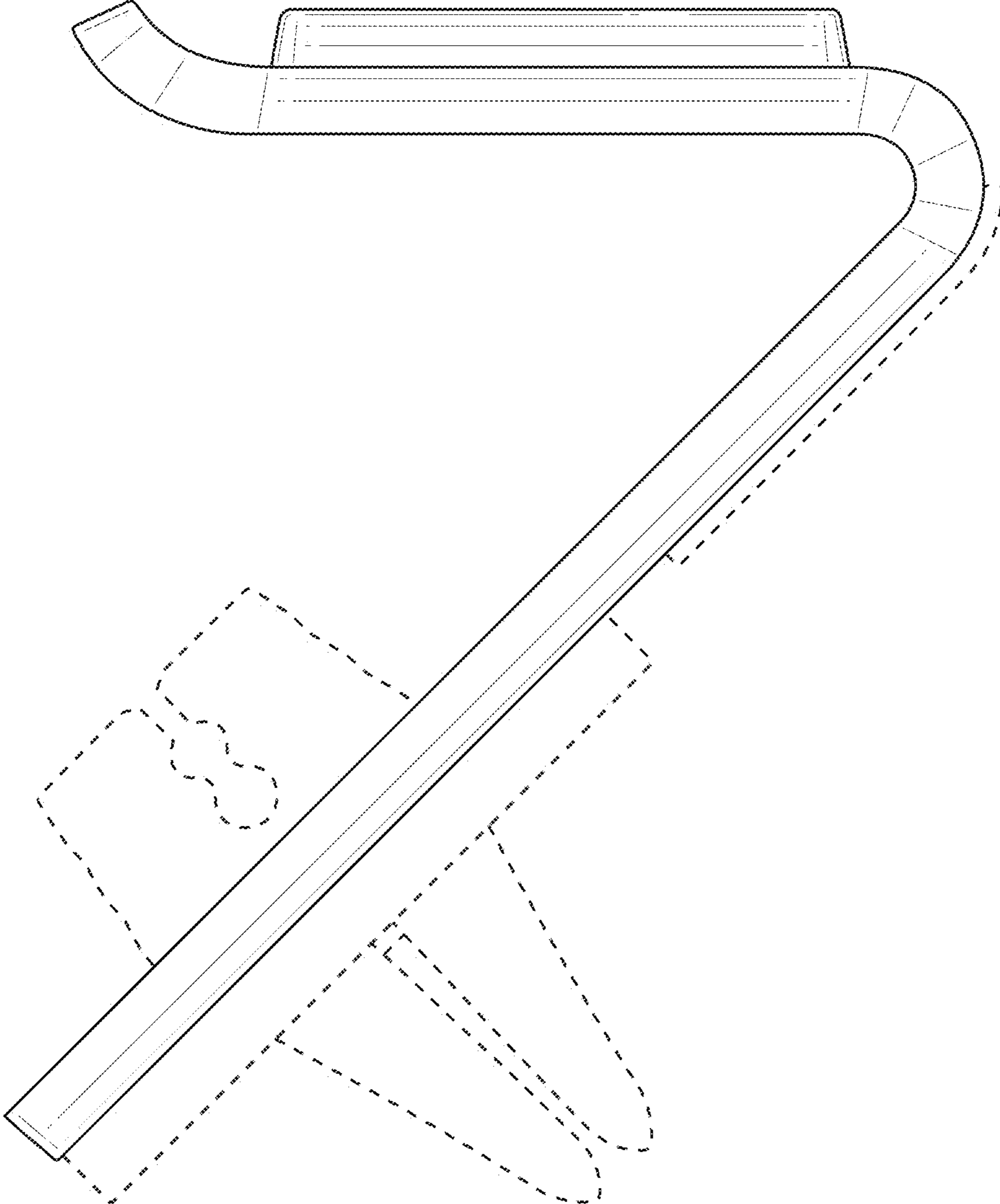


FIG. 6

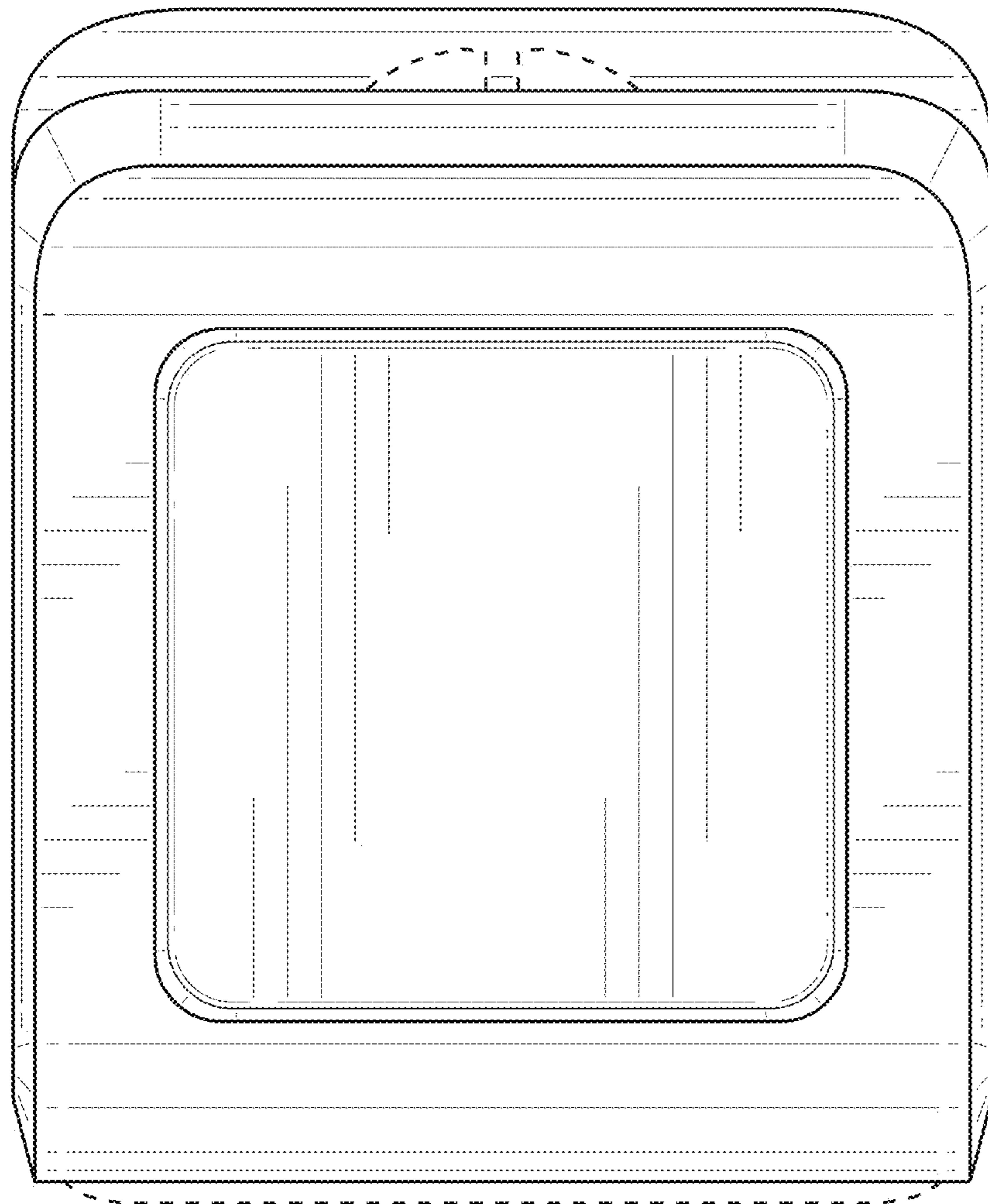


FIG. 7

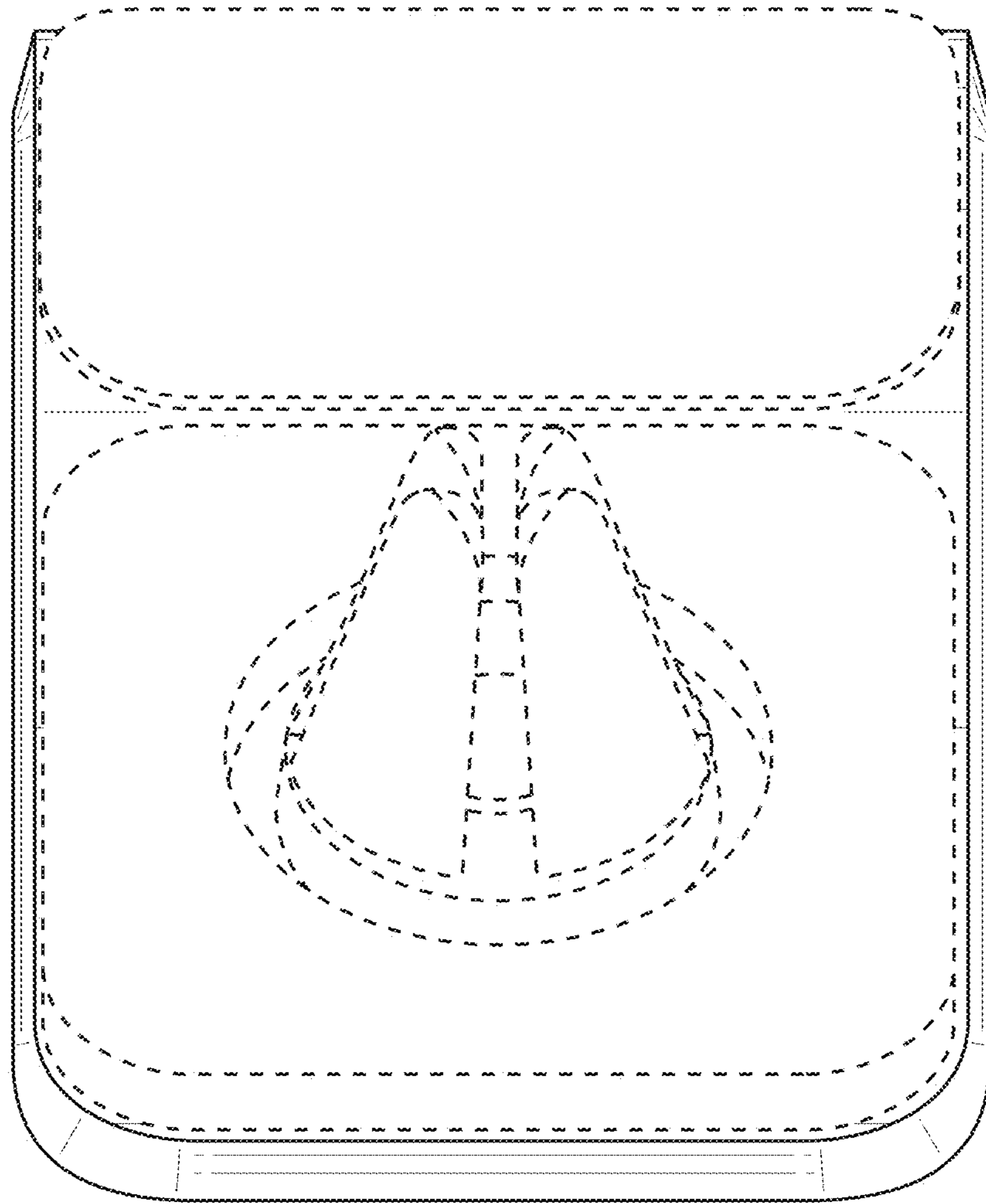


FIG. 8