



US00D880483S

(12) **United States Design Patent**  
**Fan**

(10) **Patent No.:** **US D880,483 S**

(45) **Date of Patent:** **\*\* Apr. 7, 2020**

(54) **CONVERTER**

(71) Applicant: **Jianyun Fan**, Guangdong (CN)

(72) Inventor: **Jianyun Fan**, Guangdong (CN)

(73) Assignee: **Dongguan Huachuang Technology Co. Ltd.**, Dongguan (CN)

(\*\*) Term: **15 Years**

(21) Appl. No.: **29/678,257**

(22) Filed: **Jan. 28, 2019**

(51) **LOC (12) Cl.** ..... **14-02**

(52) **U.S. Cl.**

USPC ..... **D14/433**; D14/434; D14/357

(58) **Field of Classification Search**

USPC ... D14/434, 433, 435, 435.1, 356, 357, 358,  
D14/440, 447, 251-253, 432, 451, 452,  
D14/454, 217, 240, 299, 496, 171;  
D13/103, 107, 108, 184, 110, 123, 133,  
D13/135; D21/333

CPC ..... G06F 1/1632; G06F 13/00; G06F 13/38;  
G06F 13/382; G06F 13/385; G06F  
13/387; G06F 3/065; G06F 9/541; G06F  
2213/3814; G06F 2213/40; G06F  
2213/4004; H01R 31/06; H01R 31/065;  
H01R 27/00; H01R 13/512; H01R 13/62;  
H04R 5/04

See application file for complete search history.

(56) **References Cited**

**U.S. PATENT DOCUMENTS**

D683,765 S *	6/2013	Ahn	.....	D14/203.3
D689,858 S *	9/2013	Lo	.....	D14/357
D709,892 S *	7/2014	Lui	.....	D14/433
D788,112 S *	5/2017	Liao	.....	D14/433
D791,070 S *	7/2017	Son	.....	D13/108
D809,793 S *	2/2018	Hahn	.....	D13/108
D828,356 S *	9/2018	Xie	.....	D14/433
D828,839 S *	9/2018	Zhang	.....	D14/433
D828,840 S *	9/2018	Zhang	.....	D14/433

D828,841 S *	9/2018	Zhang	.....	D14/433
D844,008 S *	3/2019	Yamazaki	.....	D14/434
D847,139 S *	4/2019	Wang	.....	D14/433
D854,019 S *	7/2019	Liao	.....	D14/434
D855,054 S *	7/2019	Turksu	.....	D14/433
D856,278 S *	8/2019	Turksu	.....	D13/108
D866,557 S *	11/2019	Xiong	.....	D14/433
D869,467 S *	12/2019	Lin	.....	D14/434
2003/0216069 A1 *	11/2003	Huang	.....	G06F 1/266 439/105
2012/0094527 A1 *	4/2012	Vroom	.....	H01R 13/512 439/540.1

**OTHER PUBLICATIONS**

USB Hubs and Converters and Type-C Docking Stations. (Design—© Questel) orbit.com. [online PDF] 48 pgs. Print Dates Range from May 2, 2016 through Jul. 30, 2019 [retrieved Jan. 15, 2020] <https://sobjprd.questel.fr/export/QPTUJ214/pdf2/c9ff6ee7-3379-4a3e-bd55-e3fc1523daef-232838.pdf>.\*

Belkin Thunderbolt 3 Express Dock HD. (online video). Posted Aug. 6, 2017. [retrieved Jan. 15, 2020] [https://www.bhphotovideo.com/c/product/1293106-REG/belkin\\_f4u095tt\\_thunderbolt\\_3\\_dock\\_w\\_0\\_5m\\_cable.html/reviews](https://www.bhphotovideo.com/c/product/1293106-REG/belkin_f4u095tt_thunderbolt_3_dock_w_0_5m_cable.html/reviews).\*

\* cited by examiner

*Primary Examiner* — Marie D. Fast Horse

(57) **CLAIM**

The ornamental design for a converter, as shown and described.

**DESCRIPTION**

FIG. 1 is a perspective view of a converter showing my new design;

FIG. 2 is another perspective view thereof;

FIG. 3 is a front elevational view thereof;

FIG. 4 is a rear elevational view thereof;

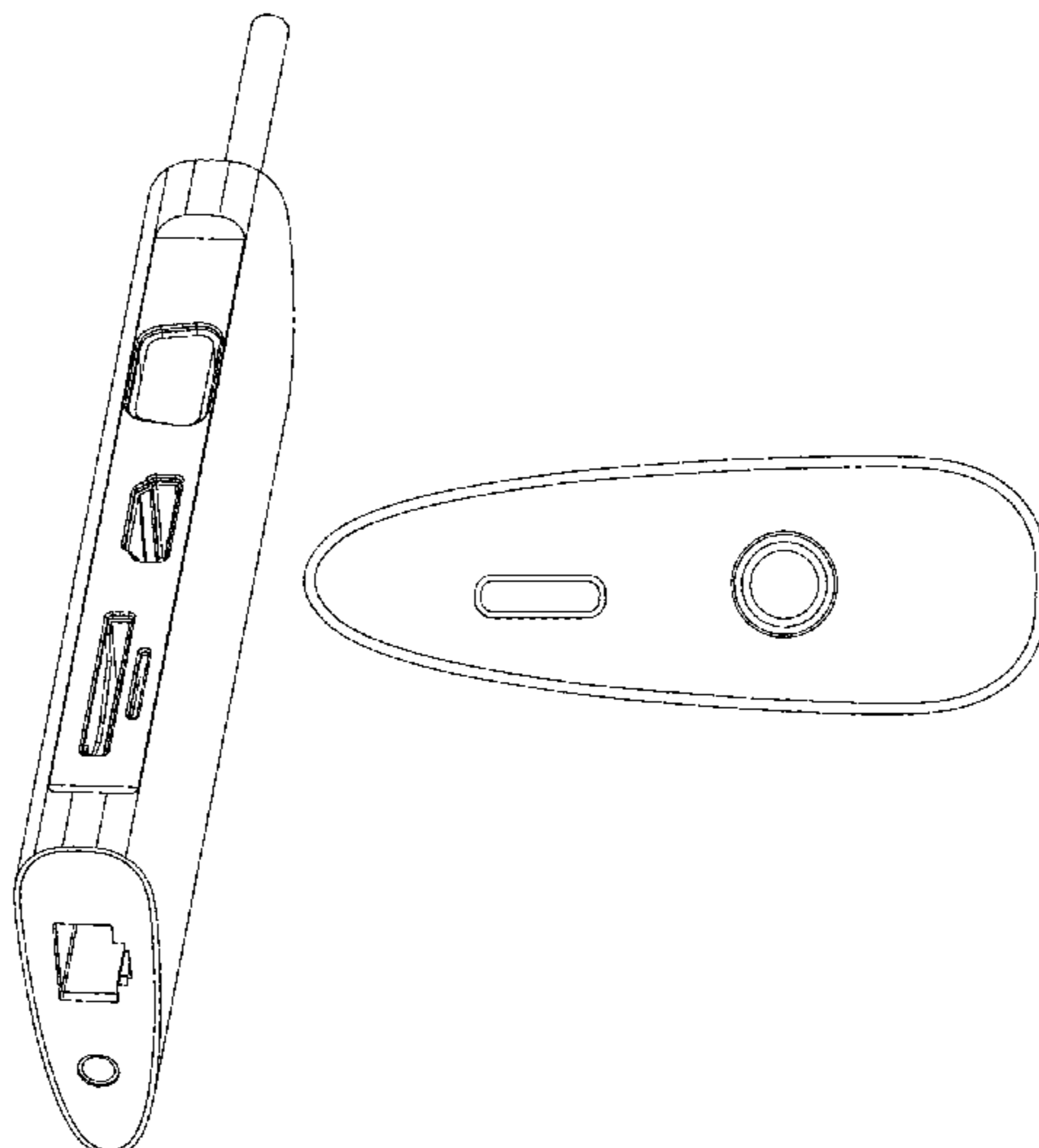
FIG. 5 is a left side view thereof;

FIG. 6 is a right side view thereof;

FIG. 7 is an enlarged scale top plan view thereof; and,

FIG. 8 is an enlarged scale bottom plan view thereof.

**1 Claim, 4 Drawing Sheets**



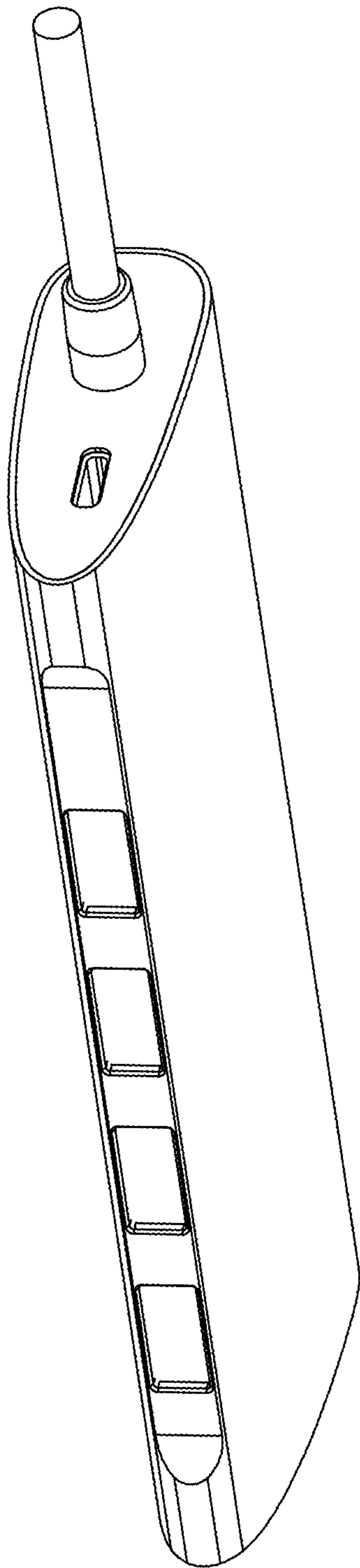


FIG. 1

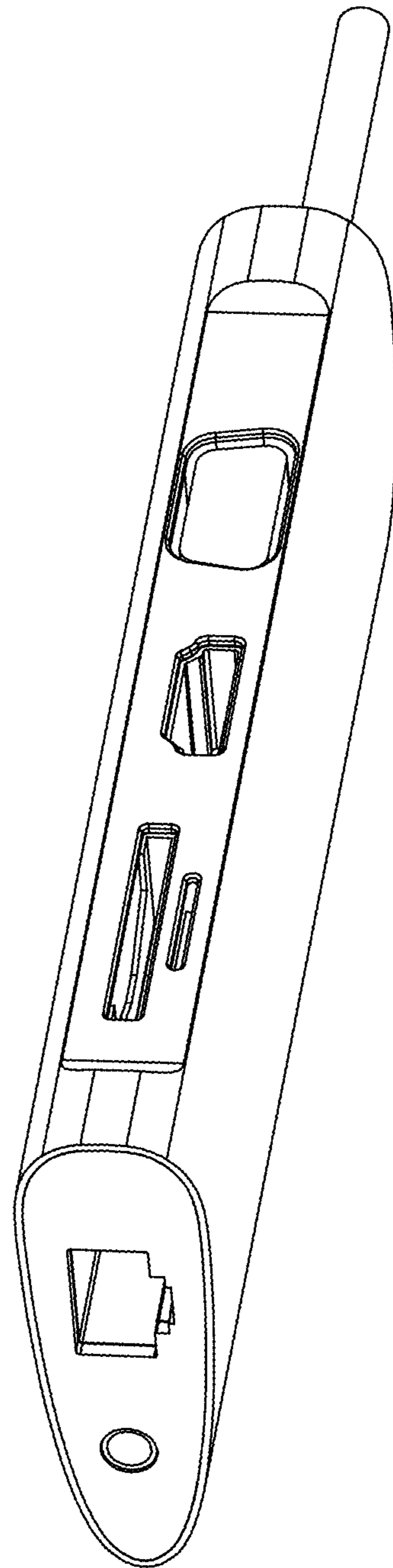


FIG. 2

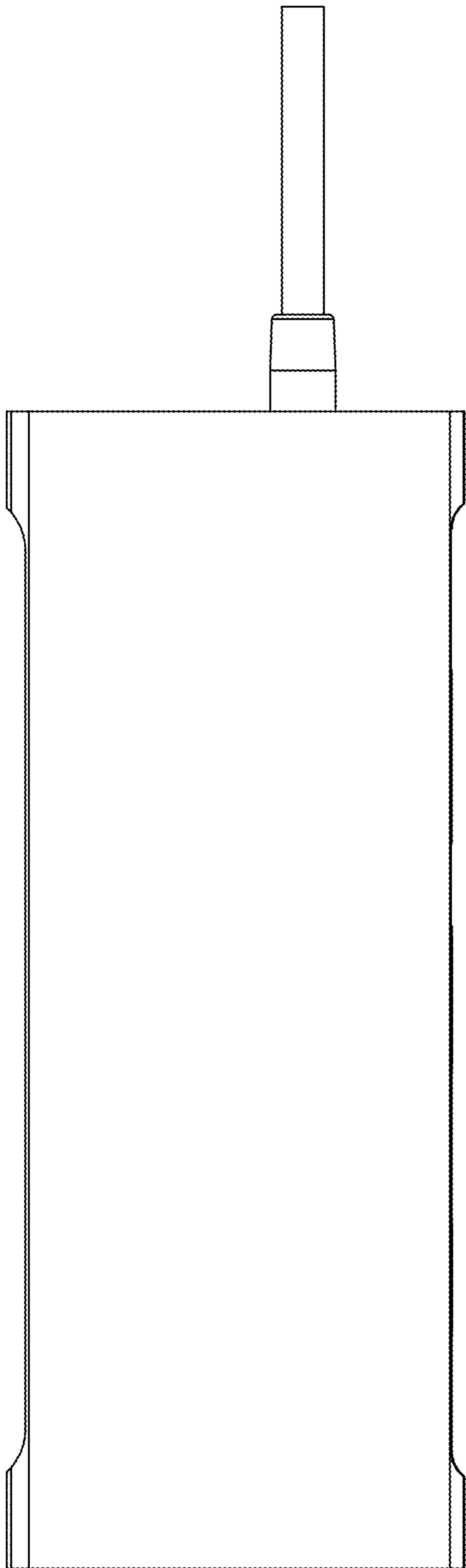


FIG. 3

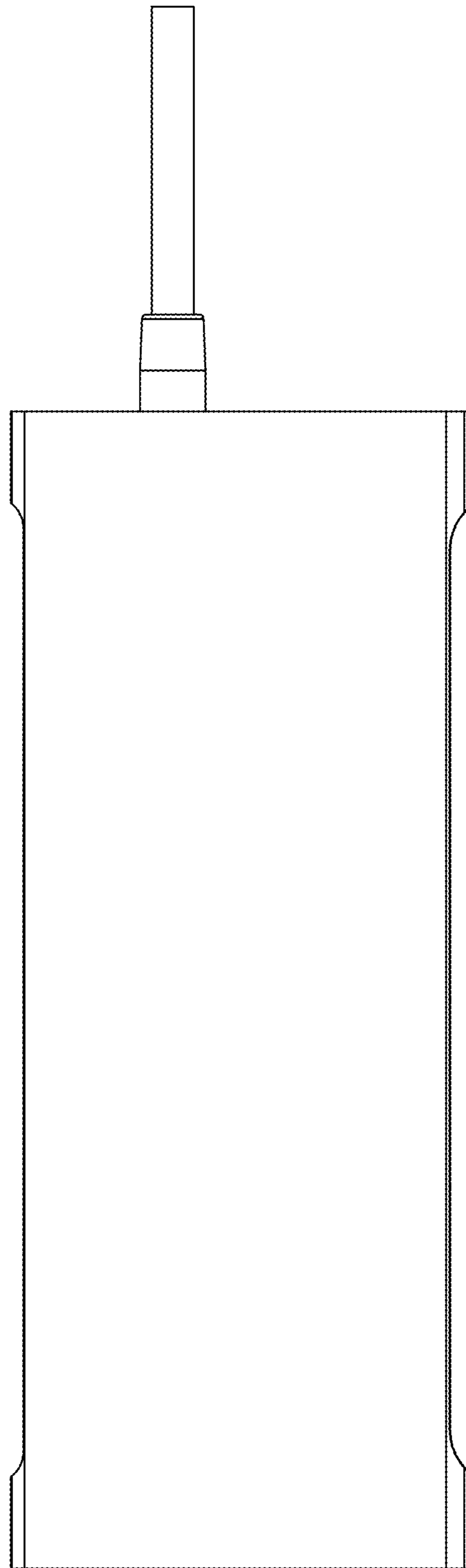


FIG. 4

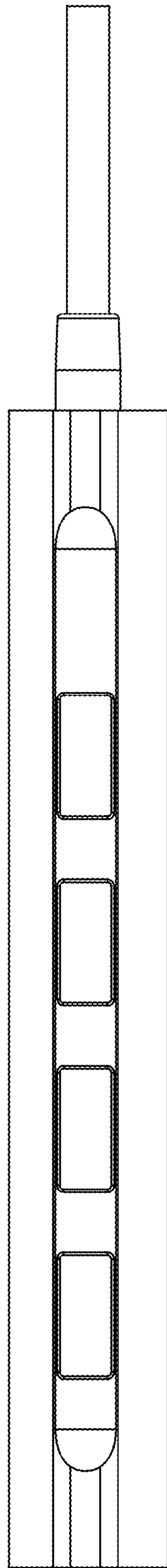


FIG. 5

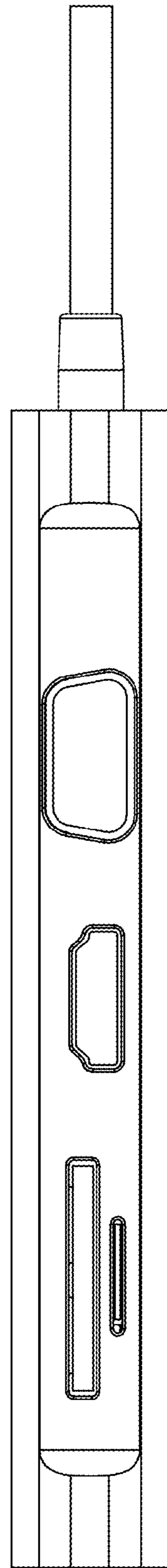


FIG. 6

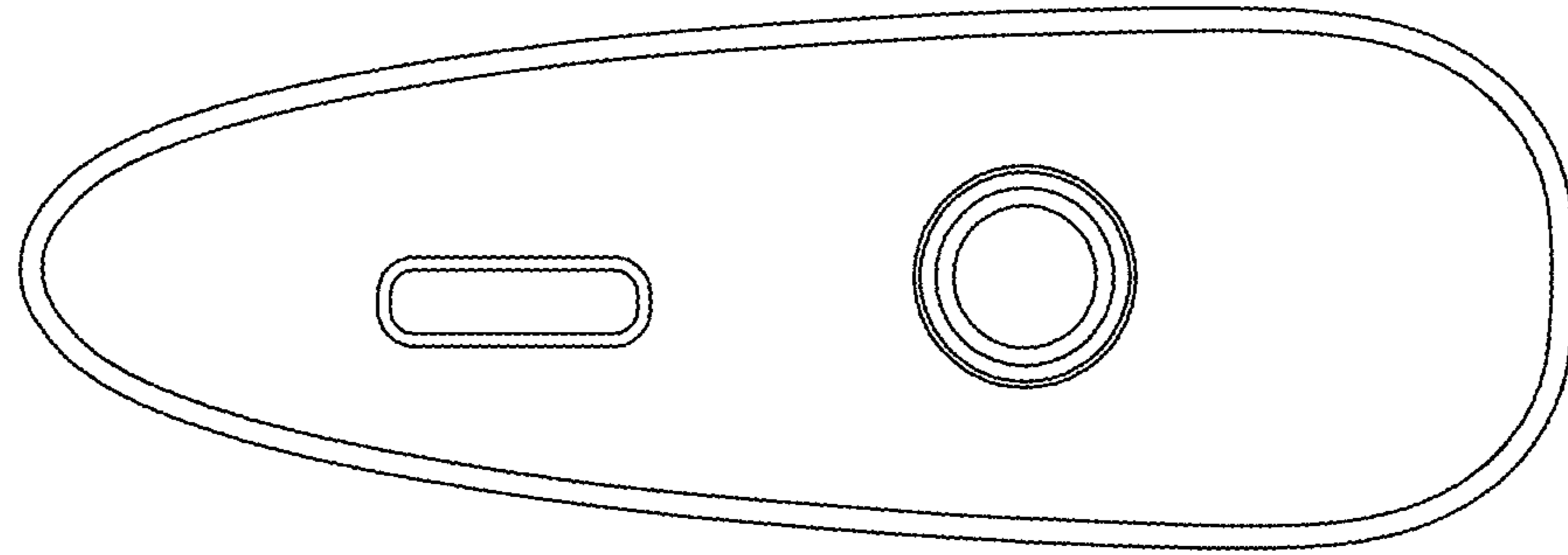


FIG. 7

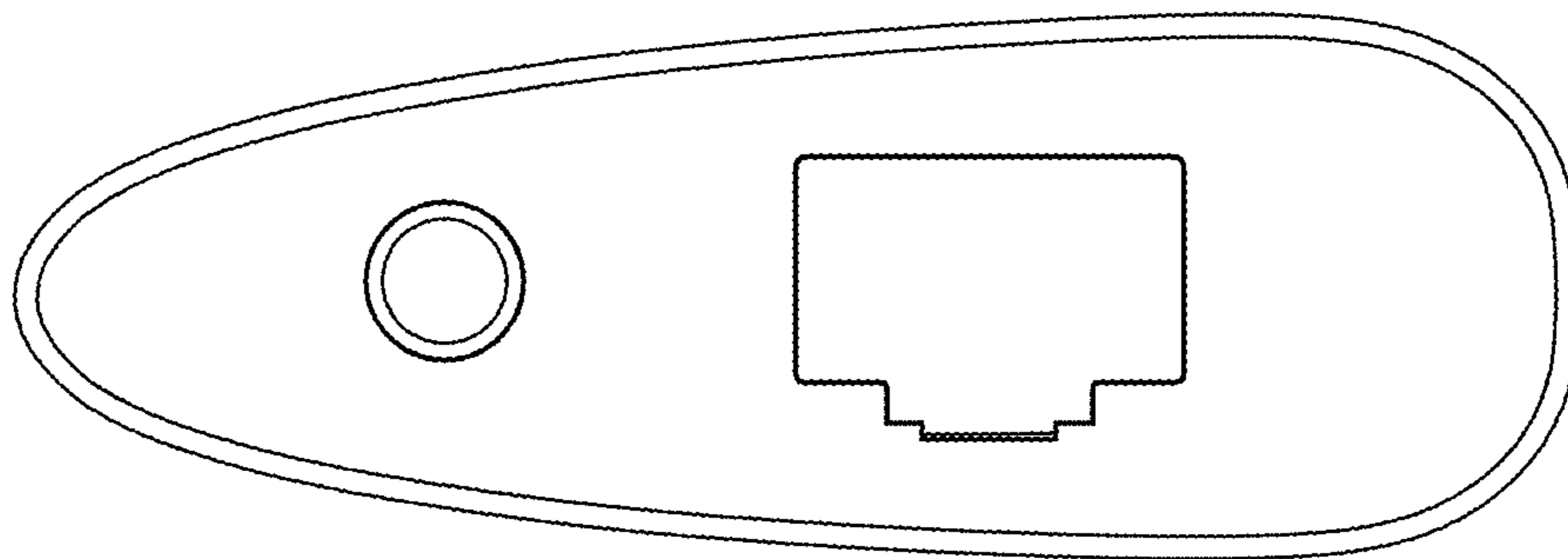


FIG. 8