



US00D880482S

(12) **United States Design Patent** (10) **Patent No.:** **US D880,482 S**
Wang (45) **Date of Patent:** **** Apr. 7, 2020**

(54) **TYPE-C HUB**
(71) Applicant: **Qiang Wang**, Beijing (CN)
(72) Inventor: **Qiang Wang**, Beijing (CN)
(73) Assignee: **ACASIS INC. Co., Ltd**, Shenzhen (CN)
(**) Term: **15 Years**
(21) Appl. No.: **29/672,949**
(22) Filed: **Dec. 11, 2018**
(51) **LOC (12) Cl.** **14-02**
(52) **U.S. Cl.**
USPC **D14/433**; D14/434
(58) **Field of Classification Search**
USPC ... D14/434, 433, 435, 435.1, 356, 357, 358, D14/440, 447, 251-253, 432, 451, 452, D14/454, 217, 240, 299, 496, 171; D13/103, 107, 108, 184, 110, 123, 133, D13/135; D21/333
CPC G06F 1/1632; G06F 13/00; G06F 13/38; G06F 13/382; G06F 13/385; G06F 13/387; G06F 3/065; G06F 9/541; G06F 2213/3814; G06F 2213/40; G06F 2213/4004; H01R 31/06; H01R 31/065; H01R 27/00; H01R 13/512; H01R 13/62; H04R 5/04
See application file for complete search history.

D696,195 S * 12/2013 Wen D13/110
D709,892 S * 7/2014 Lui D14/433
D807,290 S * 1/2018 Liao D13/110
D813,875 S * 3/2018 Liao H01R 13/512
D14/434
D844,618 S * 4/2019 Liao D14/434
D847,139 S * 4/2019 Wang D14/433
D854,544 S * 7/2019 Liao D14/434
D855,054 S * 7/2019 Turksu D14/433
D855,616 S * 8/2019 Chin D14/433
D864,205 S * 10/2019 Wang D14/433
D864,208 S * 10/2019 Duan D14/433
D864,965 S * 10/2019 Sang D14/434
D864,966 S * 10/2019 Sang D14/434
D866,557 S * 11/2019 Xiong D14/433
2003/0216069 A1 * 11/2003 Huang G06F 1/266
439/105

* cited by examiner

Primary Examiner — Marie D. Fast Horse

(57) **CLAIM**

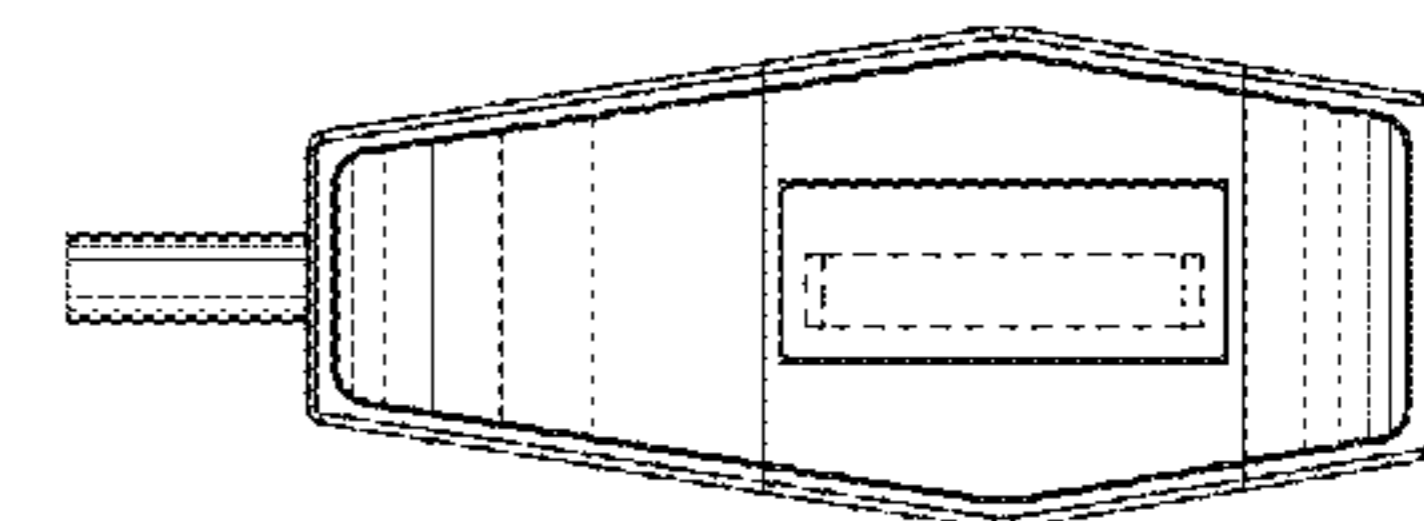
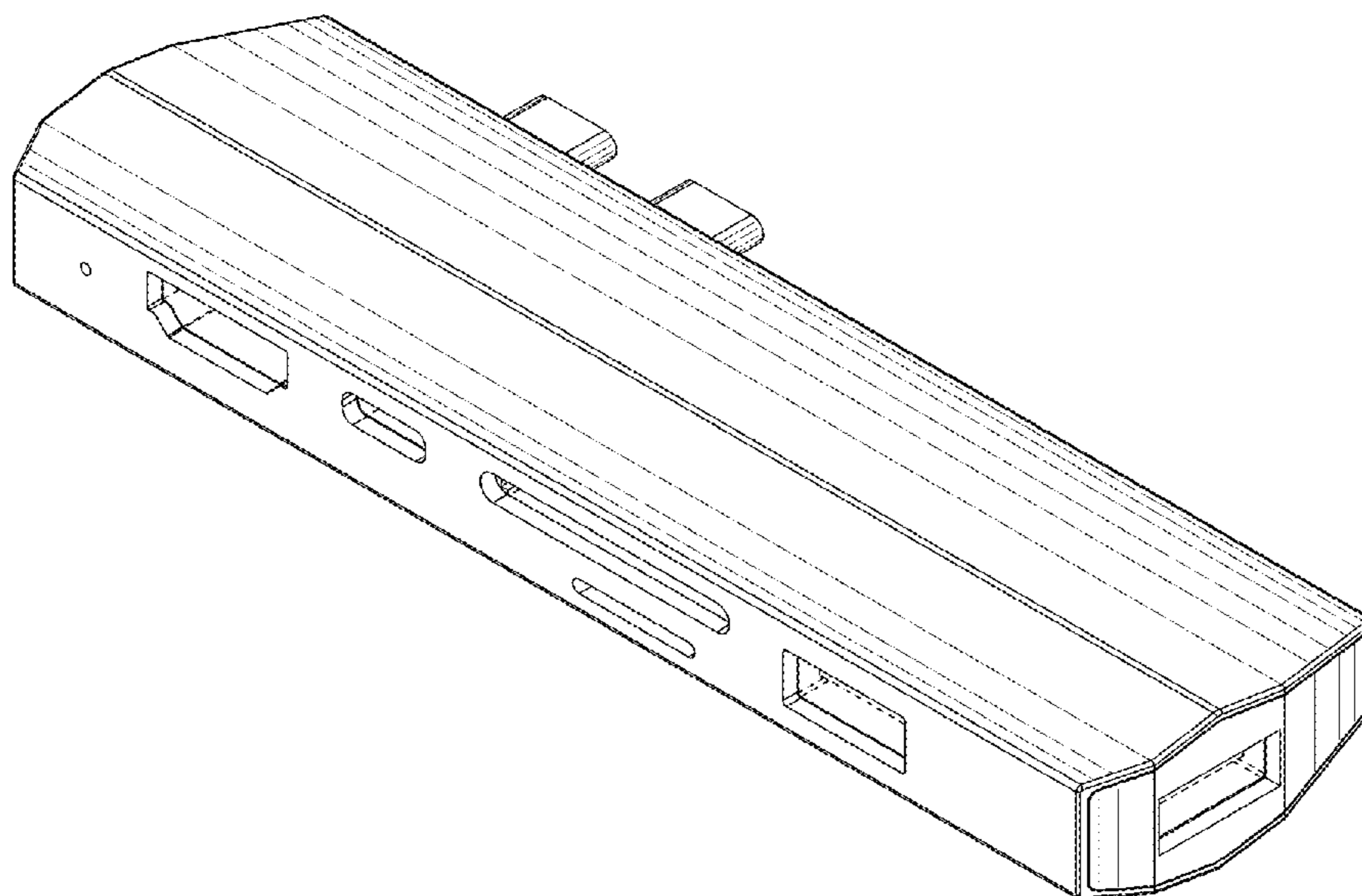
The ornamental design for a type-c hub, as shown and described.

DESCRIPTION

FIG. 1 is a front perspective view of a type-c hub showing my new design;
FIG. 2 is a rear perspective view thereof;
FIG. 3 is a front elevational view thereof;
FIG. 4 is a rear elevational view thereof;
FIG. 5 is a left side elevational view thereof;
FIG. 6 is a right side elevational view thereof;
FIG. 7 is a top plan view thereof; and,
FIG. 8 is a bottom plan view thereof.
The broken lines depict portions of the type-c hub that form no part of the claimed design.

1 Claim, 5 Drawing Sheets

(56) **References Cited**
U.S. PATENT DOCUMENTS
8,105,108 B2 * 1/2012 Vroom H01R 13/512
439/540.1
8,512,079 B2 * 8/2013 Vroom H01R 13/512
361/679.45



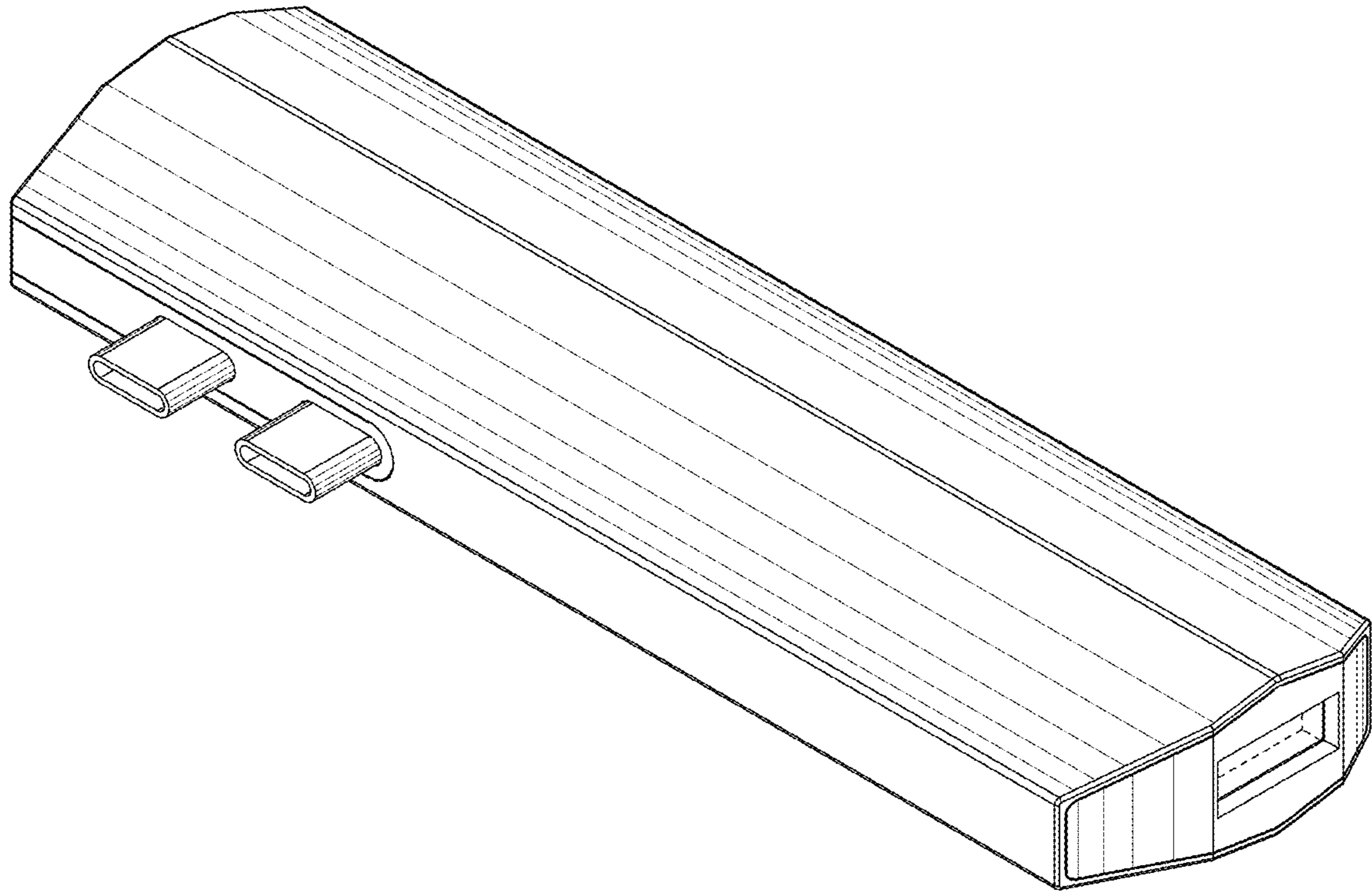


FIG.1

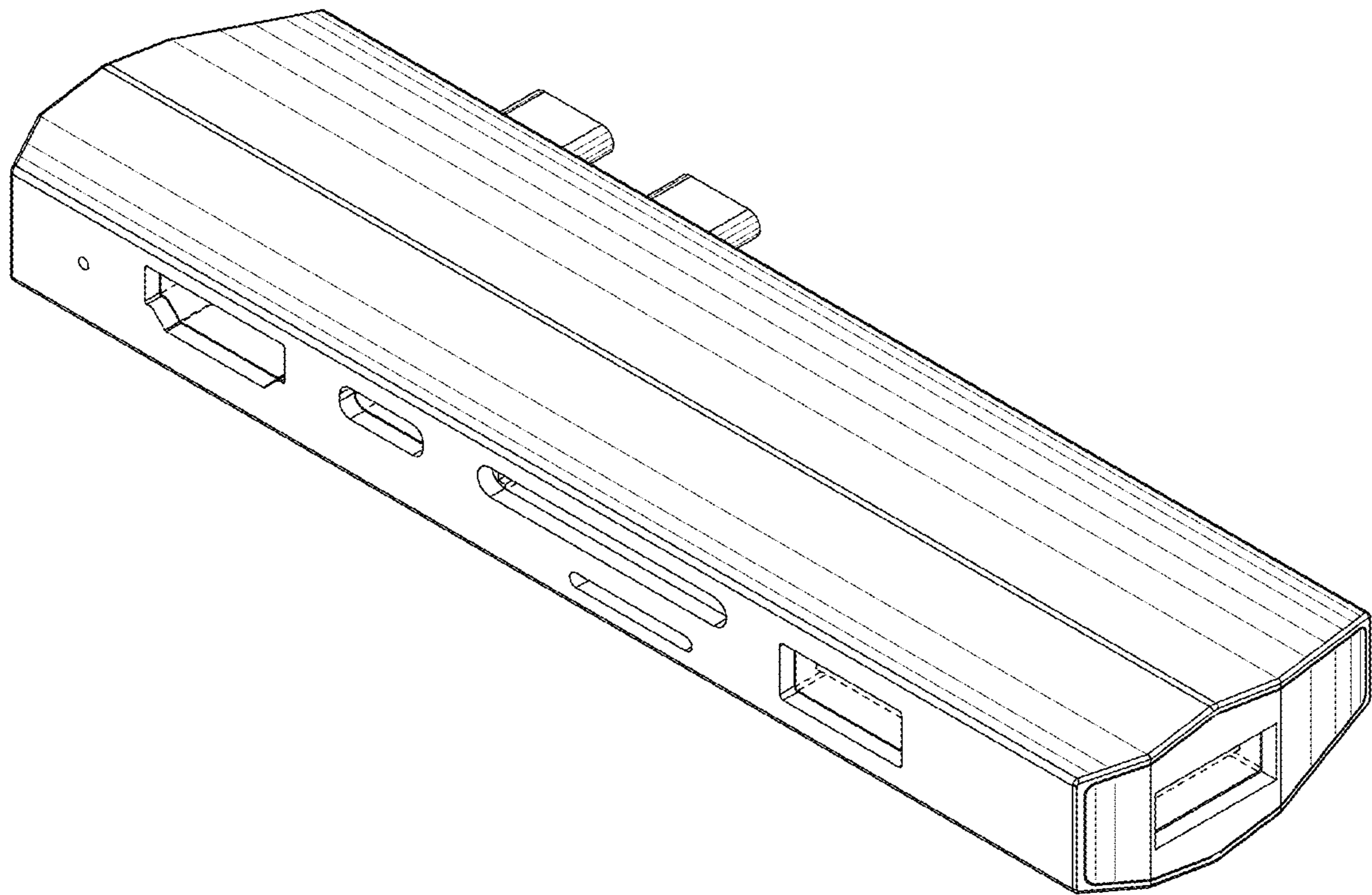


FIG.2

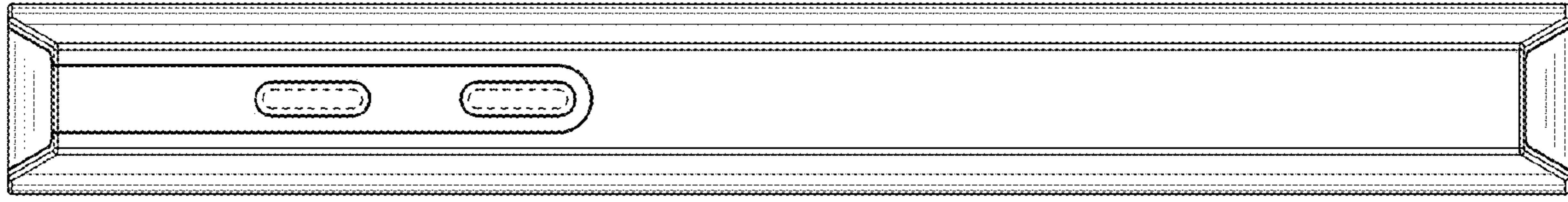


FIG.3

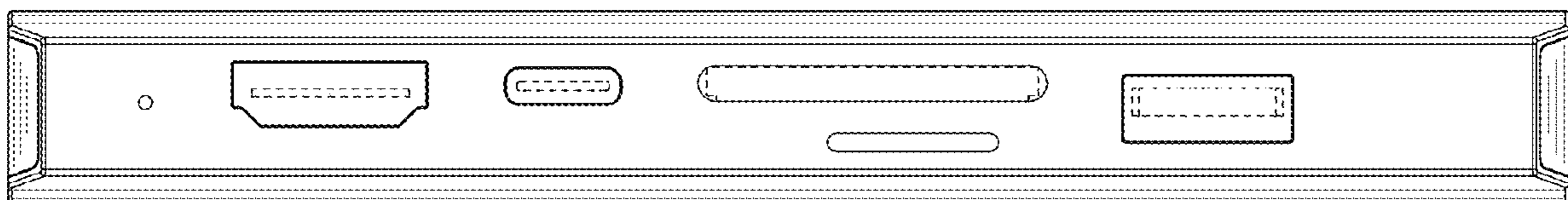


FIG.4

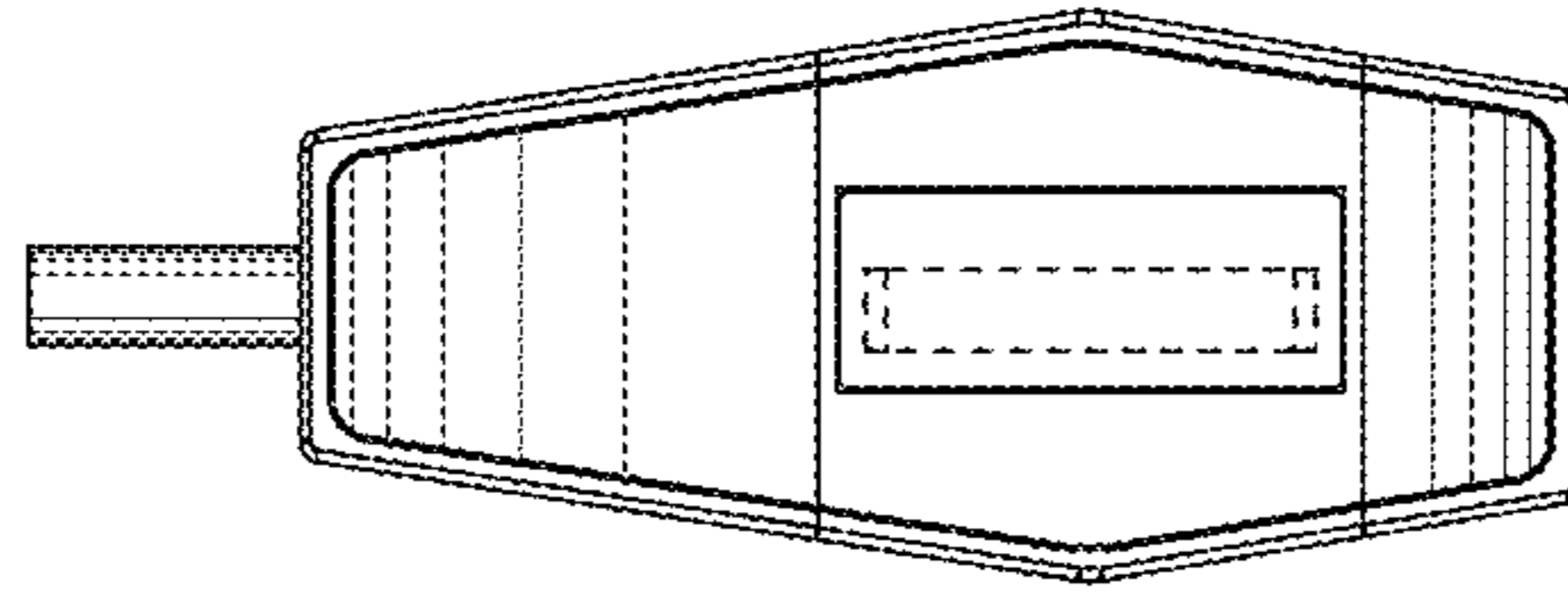


FIG.5

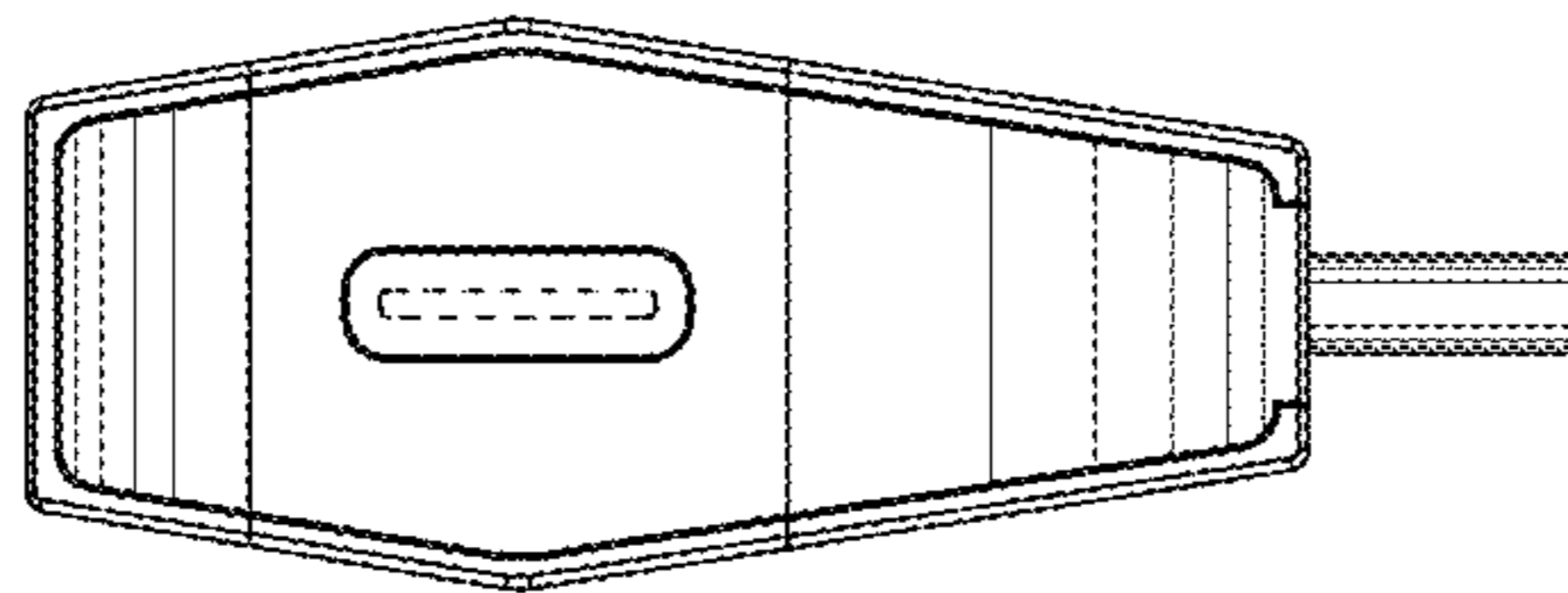


FIG.6

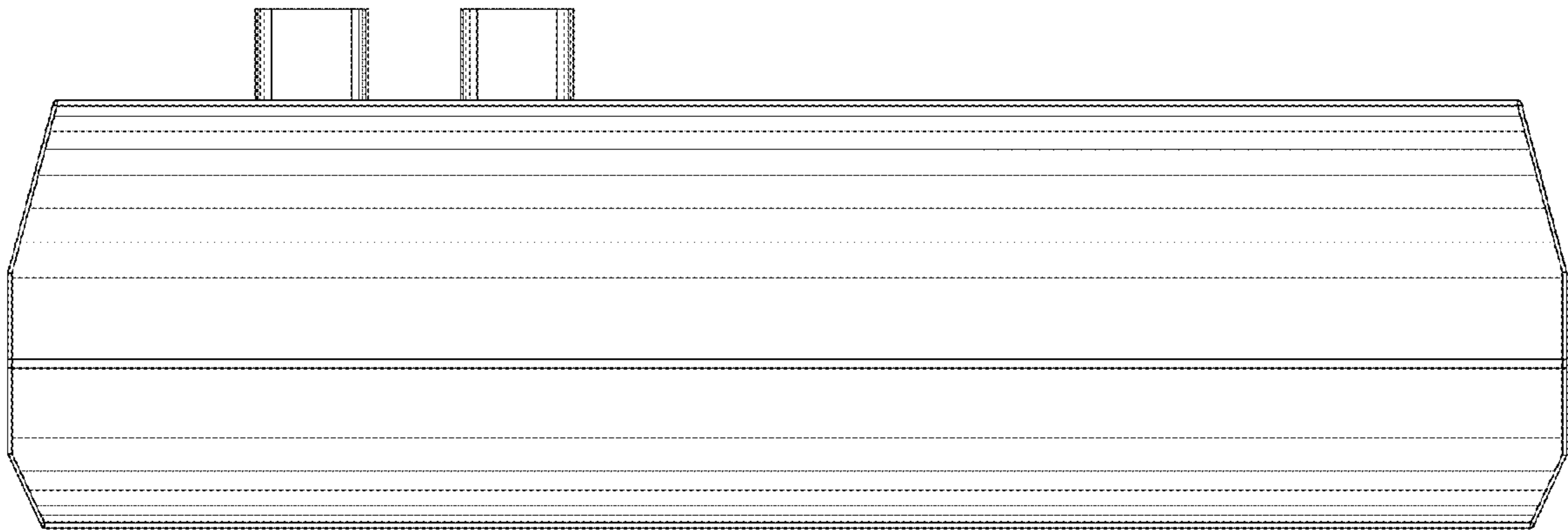


FIG. 7

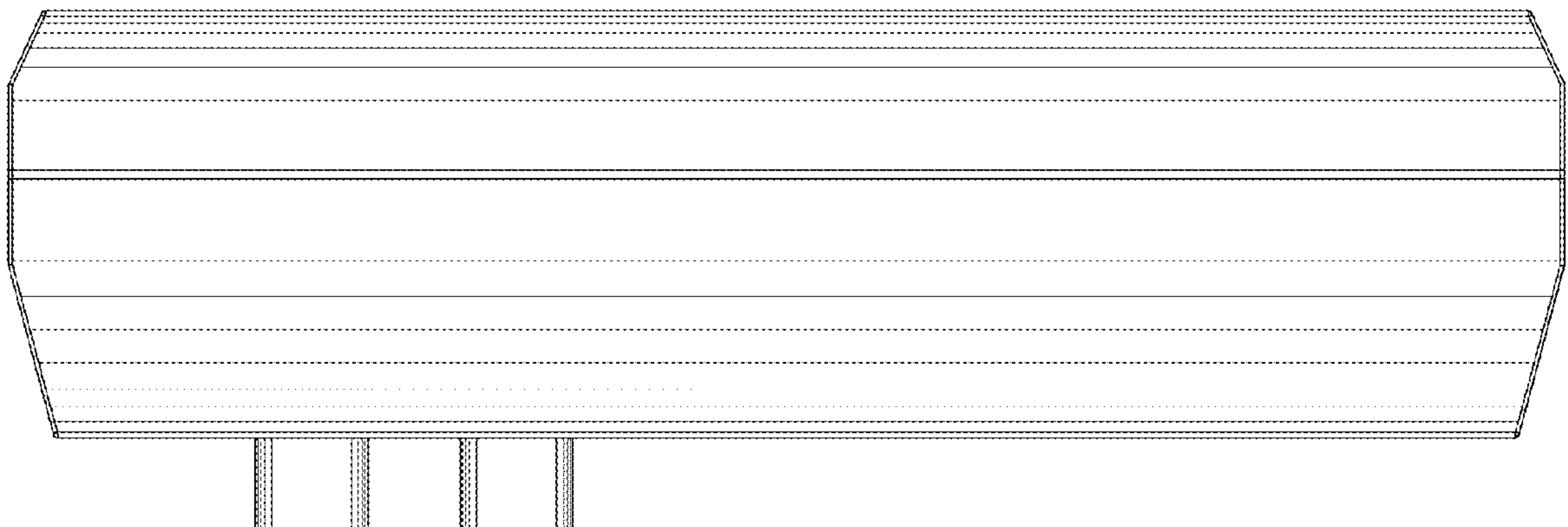


FIG. 8