



US00D880481S

(12) **United States Design Patent**  
**Liao**

(10) **Patent No.:** **US D880,481 S**  
(45) **Date of Patent:** **\*\* Apr. 7, 2020**

- (54) **MULTI-FUNCTION CONVERTER**
- (71) Applicant: **Gopod Group Ltd.**,  
Shenzhen/Guangdong (CN)
- (72) Inventor: **Zhuowen Liao**, Shenzhen (CN)
- (73) Assignee: **GUANGDONG GOPOD GROUP HOLDING CO., LTD.**, Shenzhen (CN)
- (\*\*) Term: **15 Years**
- (21) Appl. No.: **29/666,891**
- (22) Filed: **Oct. 17, 2018**
- (30) **Foreign Application Priority Data**  
Sep. 25, 2018 (CN) ..... 2018 3 0537510
- (51) **LOC (12) Cl.** ..... **14-02**
- (52) **U.S. Cl.**  
USPC ..... **D14/433**
- (58) **Field of Classification Search**  
USPC ..... D14/240, 242, 356, 357, 358, 378, 383,  
D14/384, 385, 386, 433, 434, 435.1,  
D14/480.1, 480.3, 480.4, 480.5, 480.6,  
D14/480.7; D13/103, 107, 108, 110, 146;  
D18/12, 12.1, 12.3  
CPC .... H01R 25/003; H01R 25/006; H01R 27/02;  
H01R 31/005; H01R 13/60; H01R  
13/6658; H01R 13/72; G06F 1/1607;  
G06F 1/1632; G06F 1/1684; G06F 1/266;  
G06F 11/325; G06F 13/00; G06F 13/12;  
G06F 13/14; G06F 13/20; G06F 13/382;  
G06F 13/4022; G06F 9/4413  
See application file for complete search history.

- D718,752 S \* 12/2014 Wang ..... D14/240
  - D746,823 S \* 1/2016 Lai ..... D14/434
  - D762,170 S \* 7/2016 Lei ..... D13/108
  - 9,385,549 B2 \* 7/2016 Miller ..... H02J 7/342
  - D788,112 S \* 5/2017 Liao ..... D14/433
  - D798,811 S \* 10/2017 Liao ..... D13/110
- (Continued)

**OTHER PUBLICATIONS**

Niche Market Gopod Private Module USB Type-C Ethernet Hub, online, no post date, URL: [https://www.alibaba.com/product-detail/Niche-Market-Gopod-Private-Module-USB\\_60501180511.html](https://www.alibaba.com/product-detail/Niche-Market-Gopod-Private-Module-USB_60501180511.html), retrieved Feb. 6, 2020.\*

(Continued)

*Primary Examiner* — Angela J Lee

*Assistant Examiner* — Rebekah A Caruso

(74) *Attorney, Agent, or Firm* — Dorsey & Whitney LLP

(57) **CLAIM**

The ornamental design for a multi-function converter, as shown and described.

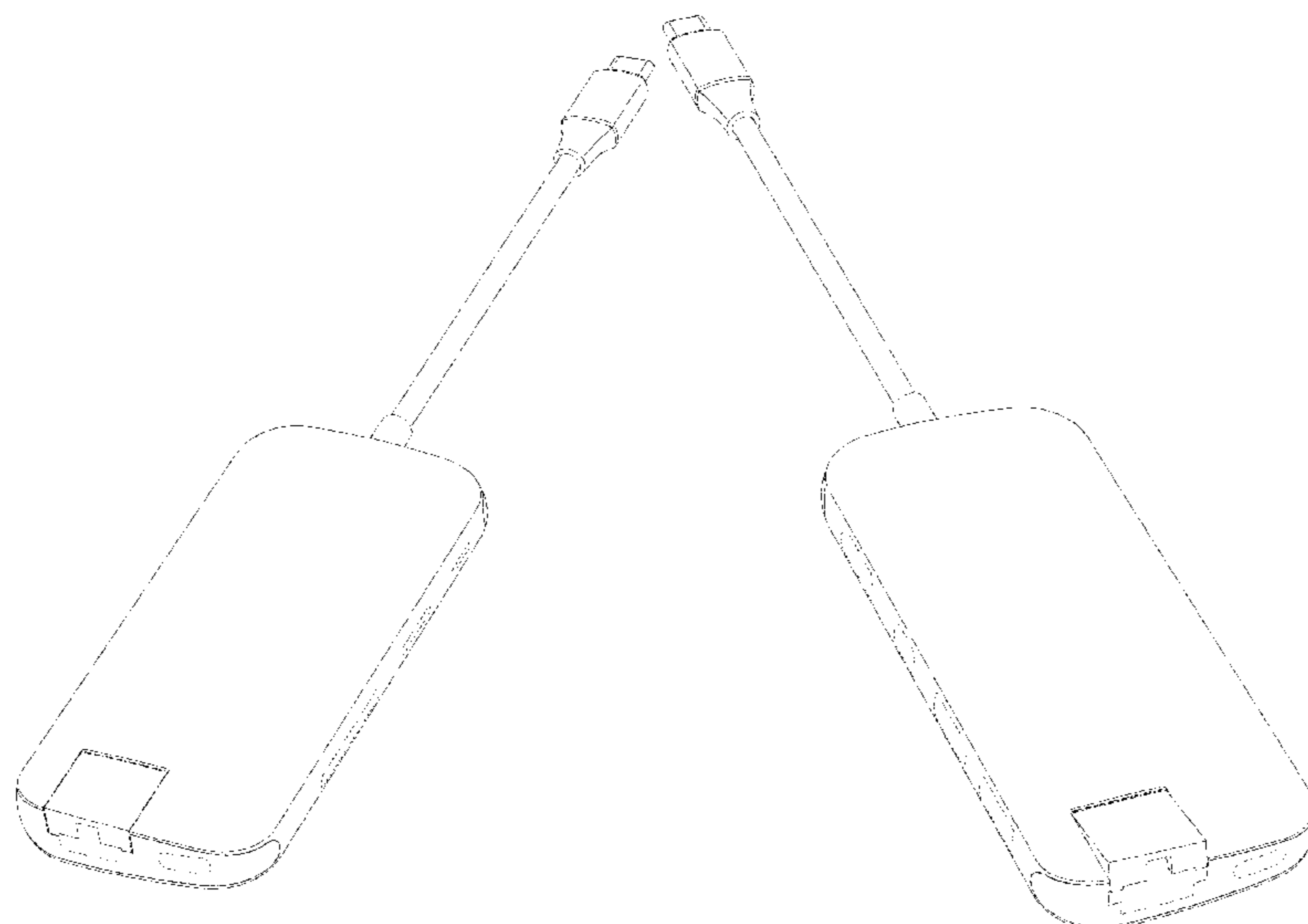
**DESCRIPTION**

FIG. 1 is a left side view of a multi-function converter showing my new design;  
 FIG. 2 is a top view thereof;  
 FIG. 3 is a right side view thereof;  
 FIG. 4 is a bottom view thereof;  
 FIG. 5 is a front view thereof;  
 FIG. 6 is a rear view thereof;  
 FIG. 7 is a top, rear, right side perspective view thereof;  
 FIG. 8 is a top, rear, left side perspective view thereof; and  
 FIG. 9 is a top, rear, left side perspective view of the multi-function converter of FIGS. 1-8 in an open configuration.

The broken lines shown in the drawings illustrate portions of the multi-function converter that form no part of the claimed design.

**1 Claim, 9 Drawing Sheets**

- (56) **References Cited**  
U.S. PATENT DOCUMENTS  
D683,765 S \* 6/2013 Ahn ..... D14/203.3  
D718,288 S \* 11/2014 Wang ..... D14/240



(56)

**References Cited**

## U.S. PATENT DOCUMENTS

D803,833	S	*	11/2017	He	.....	D14/385
D828,354	S	*	9/2018	Chuang	.....	D14/433
D828,839	S	*	9/2018	Zhang	.....	D14/433
D828,840	S	*	9/2018	Zhang	.....	D14/433
D828,841	S	*	9/2018	Zhang	.....	D14/433
D838,241	S	*	1/2019	Xie	.....	D13/108
D844,008	S	*	3/2019	Yamazaki	.....	D14/434
D853,322	S	*	7/2019	Xu	.....	D13/108
D854,020	S	*	7/2019	Liao	.....	D14/434
D856,278	S	*	8/2019	Turksu	.....	D13/108
D862,385	S	*	10/2019	Turksu	.....	D13/108
D864,964	S	*	10/2019	Lyu	.....	D14/433

## OTHER PUBLICATIONS

5 in 1 USB Type C Hub Hdmi 4K USB C Hub, online, no post date, URL: <https://www.dhgate.com/product/5-in-1-usb-type-c-hub-hdmi-4k-usb-c-hub-to/418038535.html>, retrieved Feb. 6, 2020.\*

Gopod Aluminum Multi-Port Adapter, online, no post date, URL: [https://www.alibaba.com/product-detail/GOPOD-Aluminum-Multi-Port-Adapter-4K\\_60667489348.html](https://www.alibaba.com/product-detail/GOPOD-Aluminum-Multi-Port-Adapter-4K_60667489348.html), retrieved Jan. 28, 2020.\*

The Best USB-C Hub for Your New Laptop, The Verge online, post date Jun. 1, 2018, URL: <https://www.theverge.com/this-is-my-next/2018/6/1/17413728/the-best-usb-c-hub-for-laptops-macbook-pro>, retrieved Dec. 18, 2019.\*

\* cited by examiner

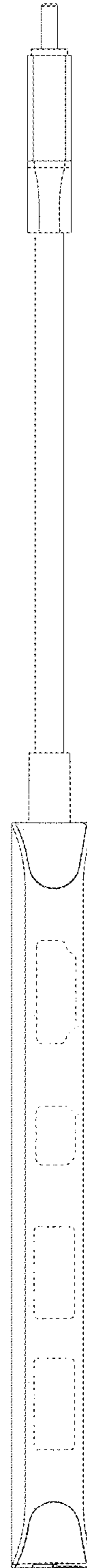


FIG. 1

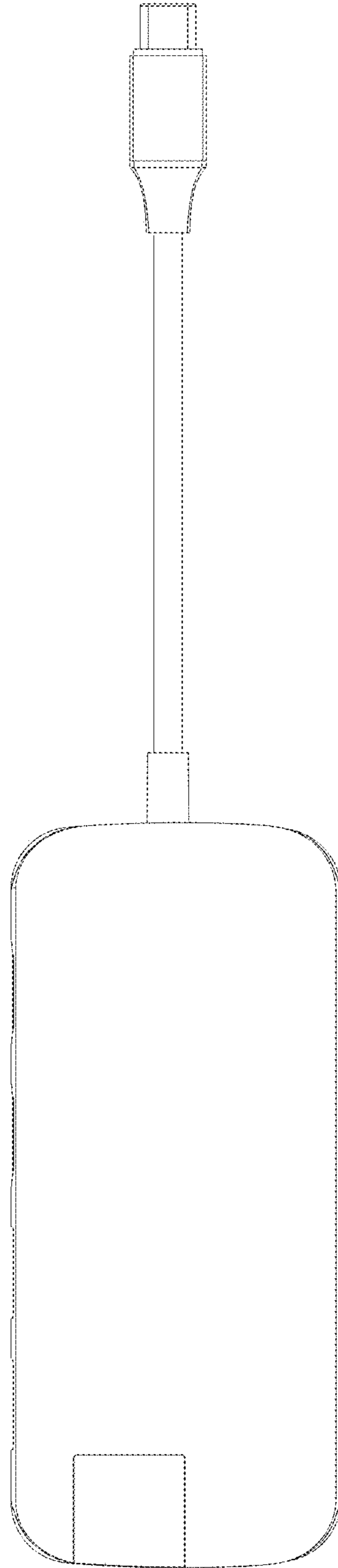


FIG. 2

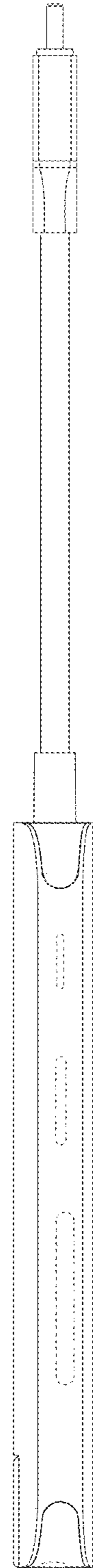


FIG. 3

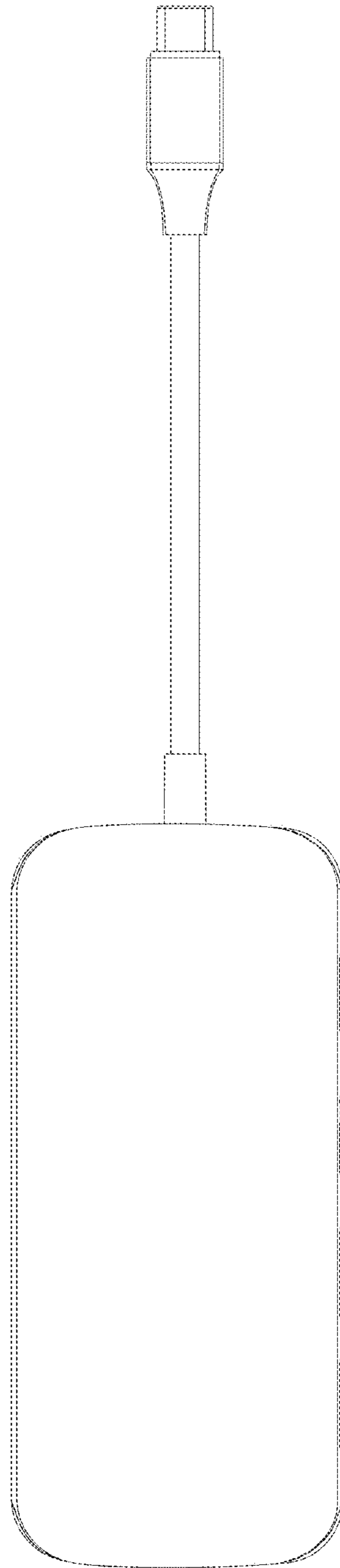


FIG. 4

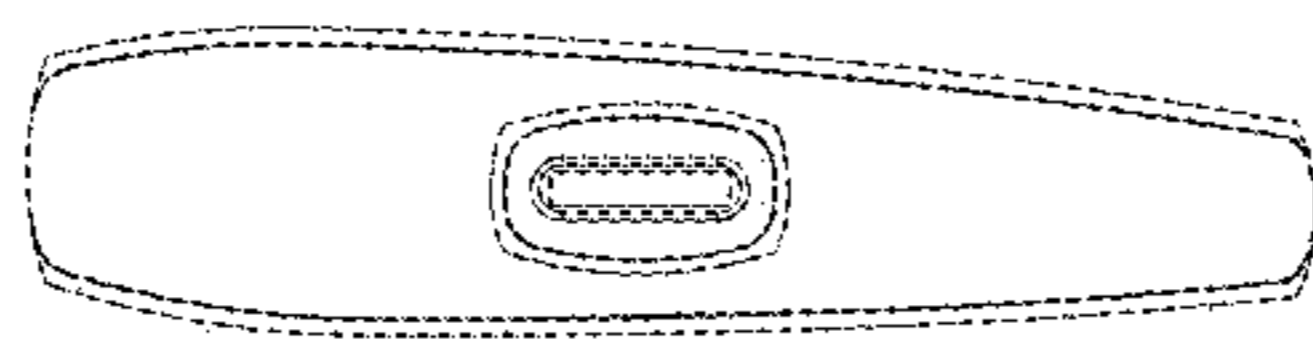


FIG. 5

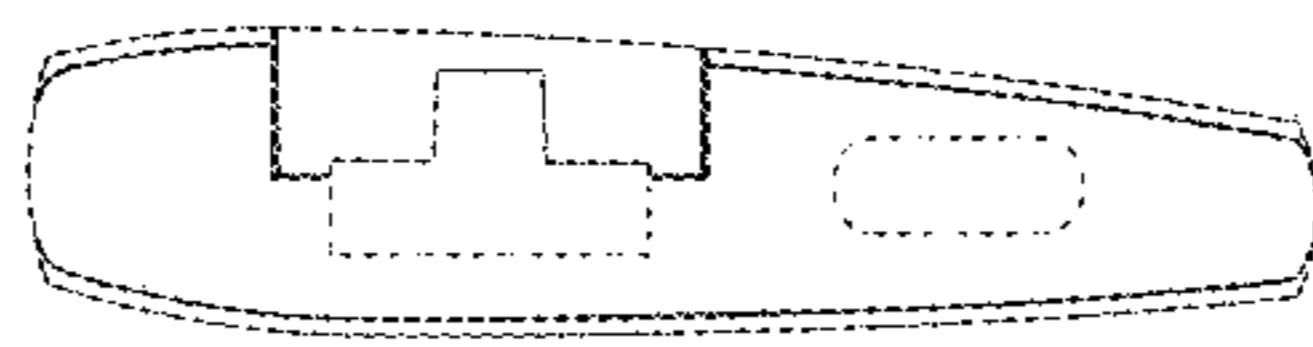


FIG. 6



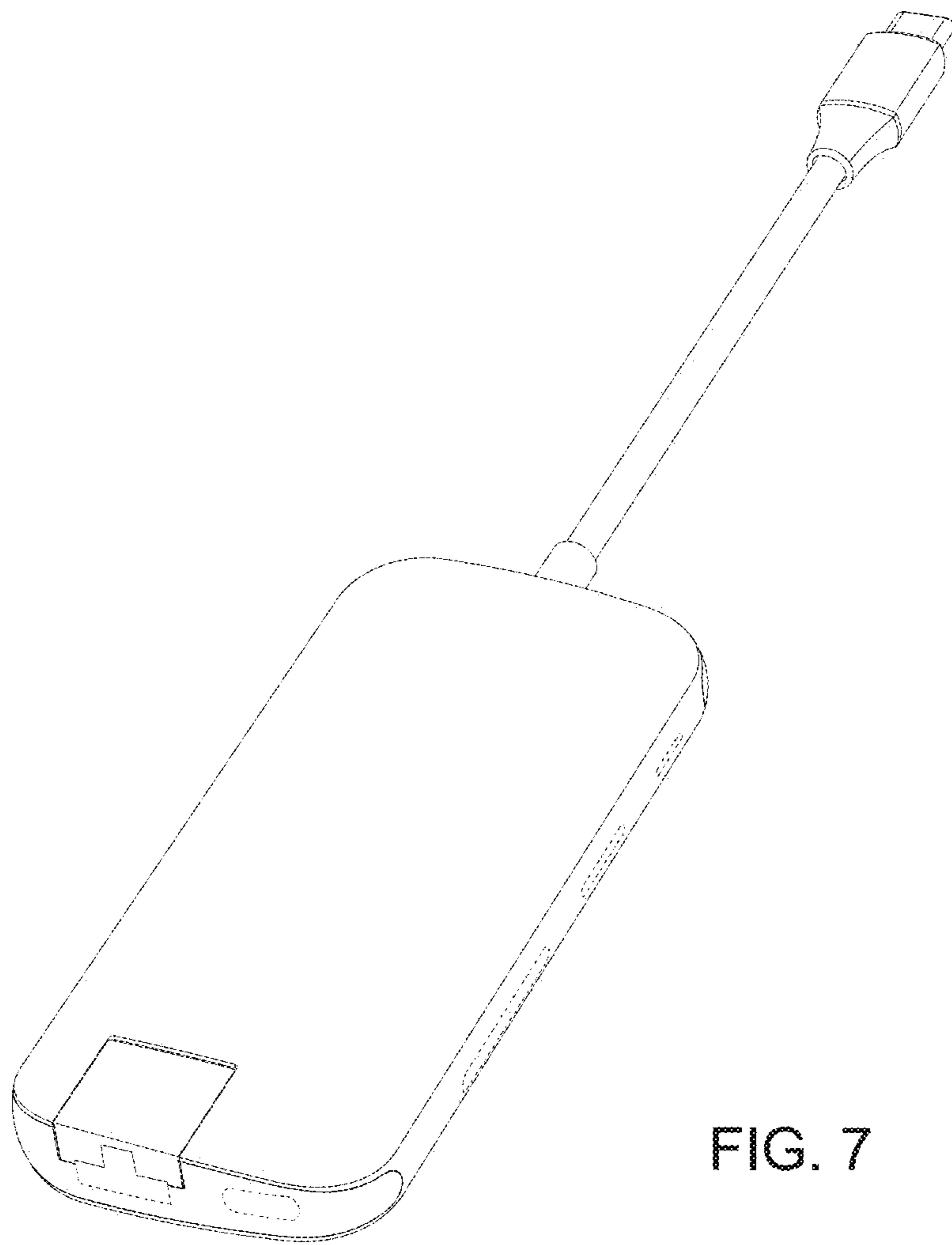


FIG. 7

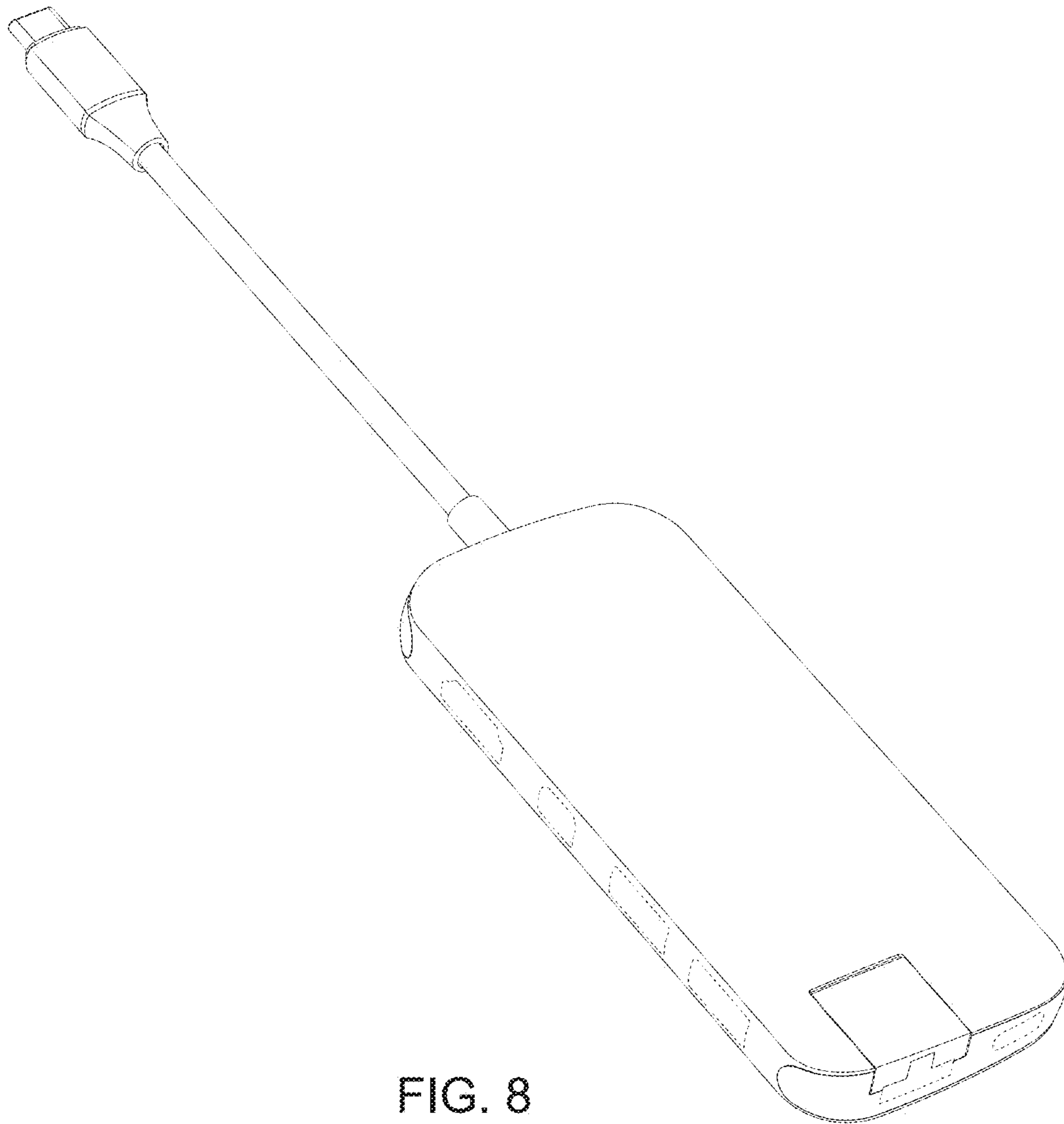


FIG. 8

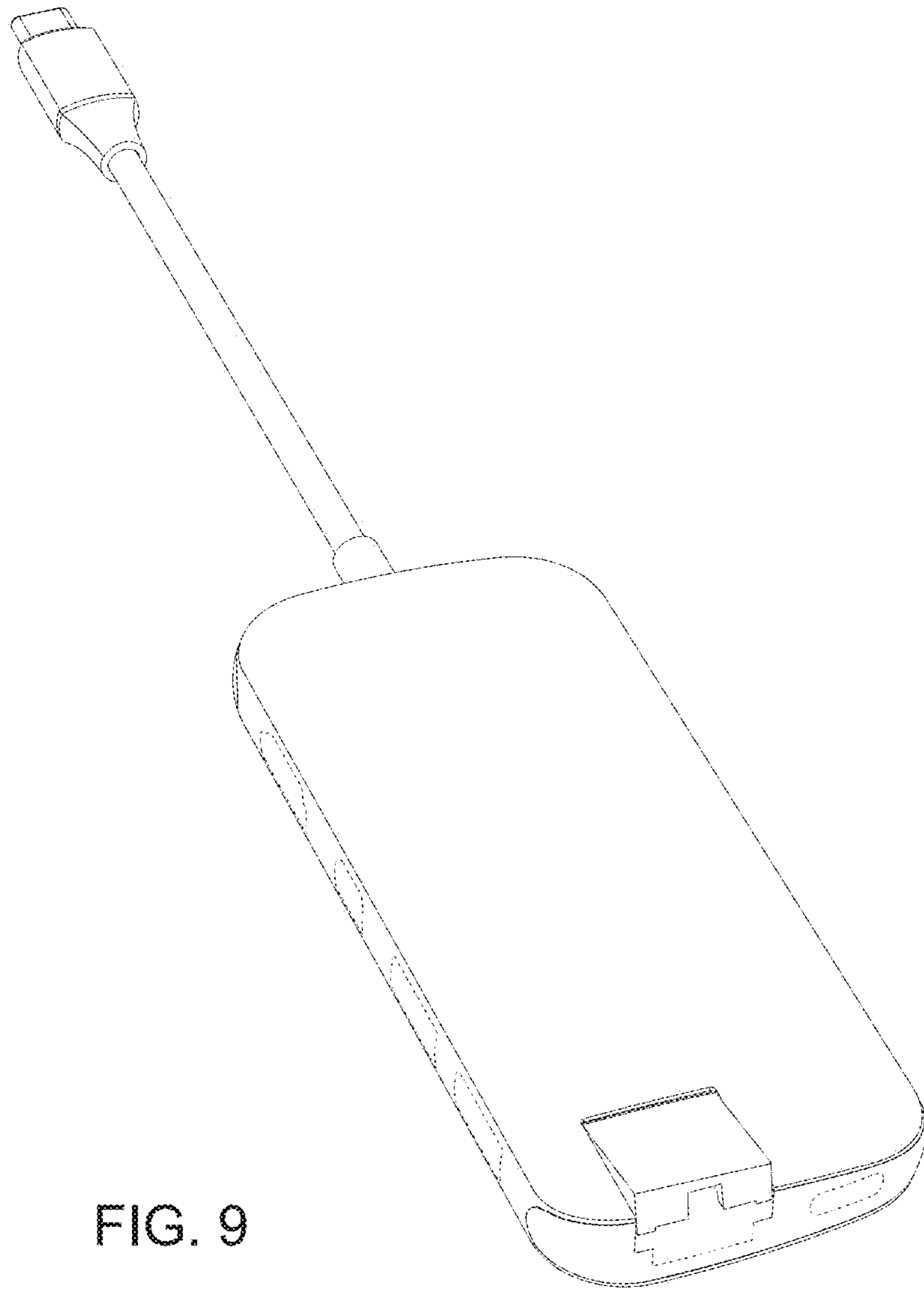


FIG. 9