



US00D880480S

(12) **United States Design Patent**
Liao

(10) **Patent No.:** **US D880,480 S**
(45) **Date of Patent:** **** Apr. 7, 2020**

(54) **MULTI-FUNCTION CONVERTER**
(71) Applicant: **Gopod Group Ltd.**,
Shenzhen/Guangdong (CN)
(72) Inventor: **Zhuowen Liao**, Shenzhen (CN)
(73) Assignee: **Gopod Group Ltd.** (CN)
(**) Term: **15 Years**

D612,868 S *	3/2010	Morabito	D14/496
D662,050 S *	6/2012	Tien	D13/108
D693,768 S *	11/2013	Alesi	D13/110
D720,755 S *	1/2015	Nokuo	D14/433
D798,811 S *	10/2017	Liao	D13/110
D847,811 S *	5/2019	Shim	D14/356
D854,544 S *	7/2019	Liao	D14/434
D855,054 S *	7/2019	Turksu	D14/433
D862,473 S *	10/2019	Liu	D14/433
D864,966 S *	10/2019	Sang	D14/434

(Continued)

(21) Appl. No.: **29/666,888**
(22) Filed: **Oct. 17, 2018**
(30) **Foreign Application Priority Data**
Sep. 30, 2018 (CN) 2018 3 0554588

OTHER PUBLICATIONS

Baseus Dual Type-C 7 in 1 USB 3.0 Type C HUB HDMI RJ45 Adapter for MacBook Pro, YouTube online, post date May 21, 2019, URL: <https://www.youtube.com/watch?v=xdM1xNUYFk>, retrieved Feb. 6, 2020.*

(Continued)

(51) **LOC (12) Cl.** **14-02**
(52) **U.S. Cl.**
USPC **D14/433**

Primary Examiner — Angela J Lee
Assistant Examiner — Rebekah A Caruso

(58) **Field of Classification Search**
USPC D14/240, 242, 356, 357, 358, 378, 383,
D14/384, 385, 386, 433, 434, 435.1,
D14/480.1, 480.3, 480.4, 480.5, 480.6,
D14/480.7; D13/103, 107, 108, 110, 146;
D18/12, 12.1, 12.3
CPC H01R 25/003; H01R 25/006; H01R 27/02;
H01R 31/005; H01R 13/60; H01R
13/6658; H01R 13/72; G06F 1/1607;
G06F 1/1632; G06F 1/1684; G06F 1/266;
G06F 11/325; G06F 13/00; G06F 13/12;
G06F 13/14; G06F 13/20; G06F 13/382;
G06F 13/4022; G06F 9/4413
See application file for complete search history.

(57) **CLAIM**

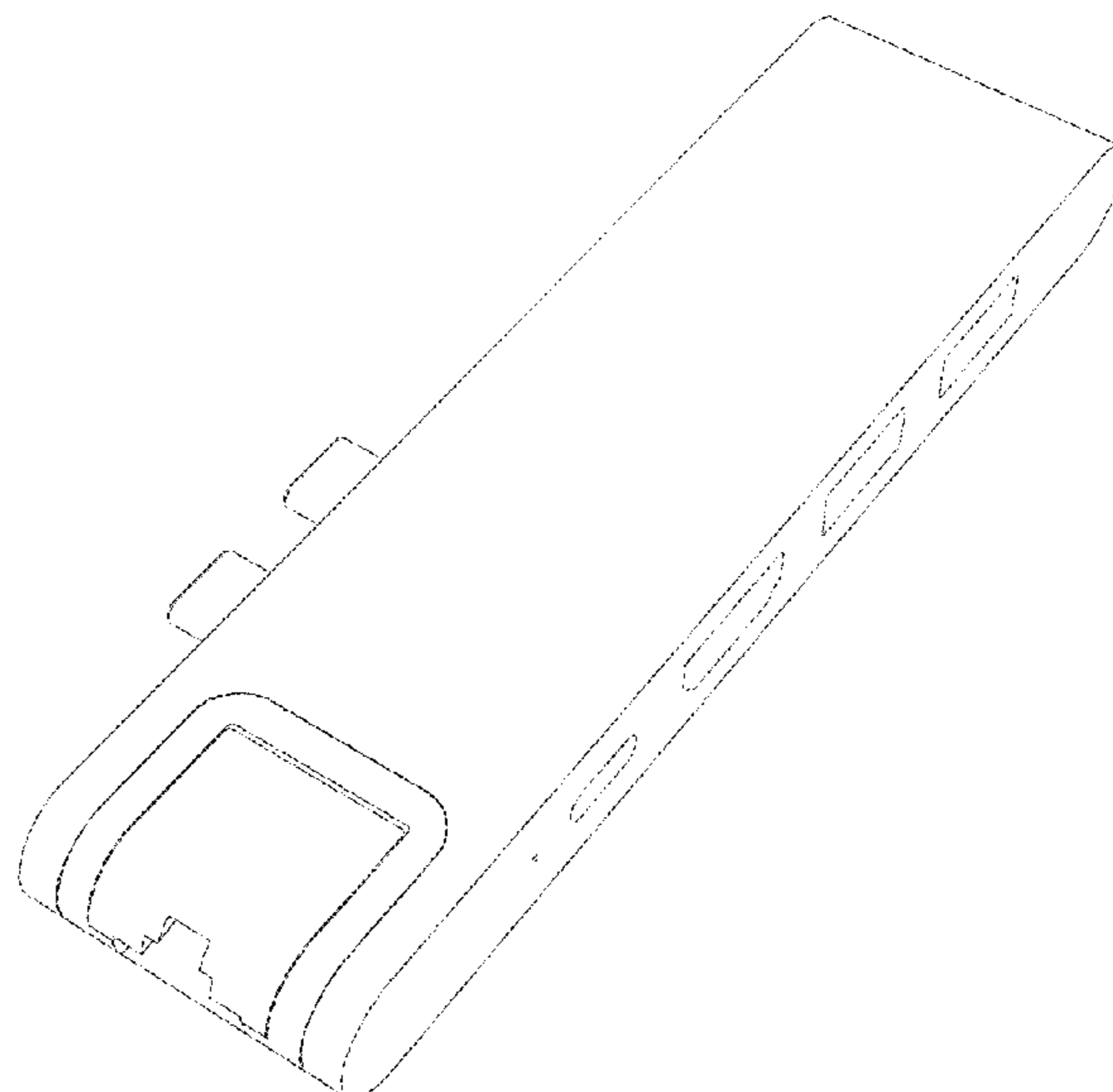
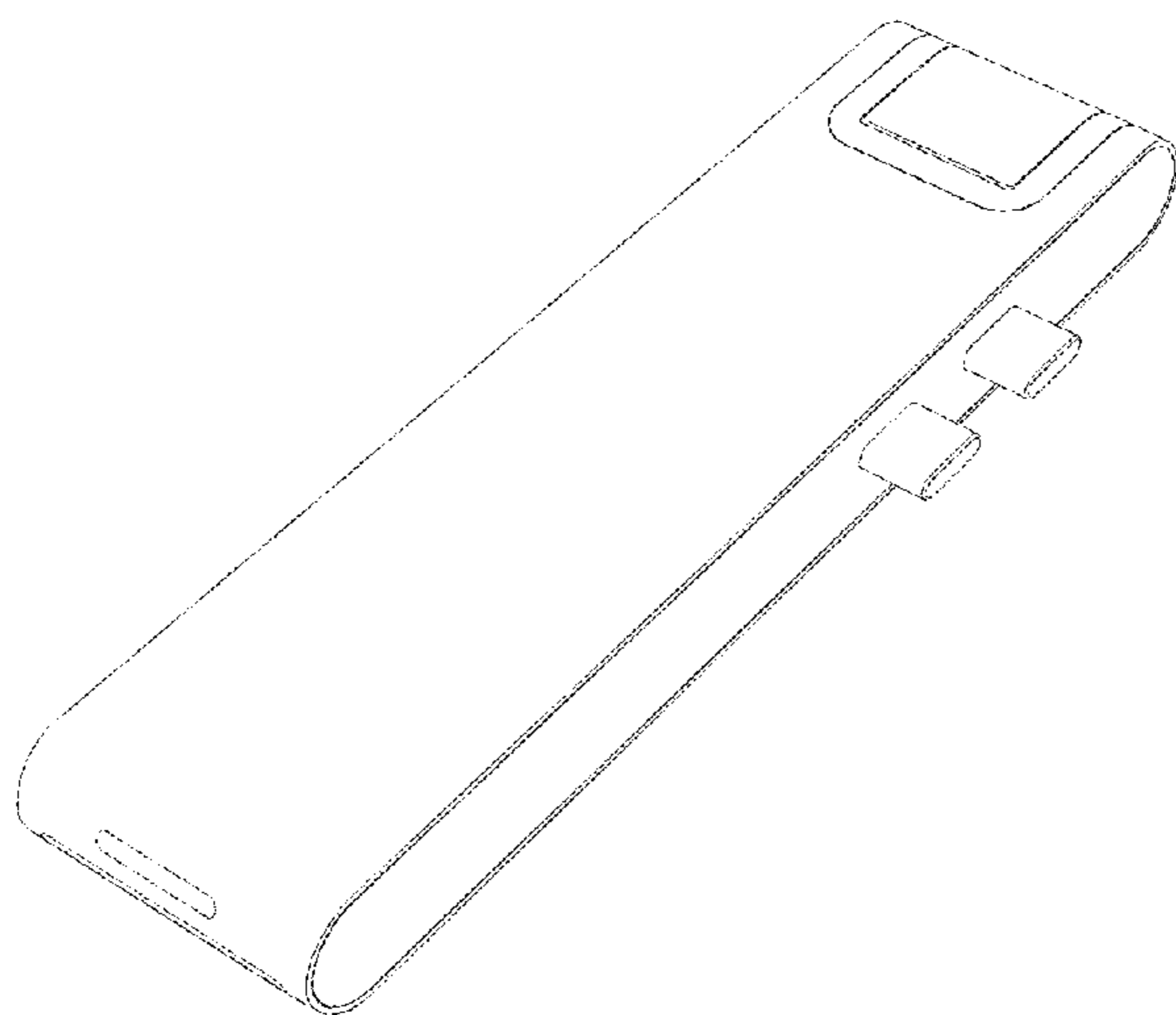
The ornamental design for a multi-function converter, as shown and described.

DESCRIPTION

FIG. 1 is a left side view of a multi-function converter showing my new design;
FIG. 2 is a top view thereof;
FIG. 3 is a right side view thereof;
FIG. 4 is a bottom view thereof;
FIG. 5 is a front view thereof;
FIG. 6 is a rear view thereof;
FIG. 7 is a top, rear, right side perspective view thereof; and,
FIG. 8 is a top, front, left side perspective view thereof.
The broken lines shown in the drawings illustrate portions of the multi-function converter that form no part of the claimed design.

(56) **References Cited**
U.S. PATENT DOCUMENTS
D363,064 S * 10/1995 Rogov D14/433
D531,190 S * 10/2006 Lee D14/203.3

1 Claim, 8 Drawing Sheets



(56)

References Cited

U.S. PATENT DOCUMENTS

D865,676 S * 11/2019 Liao D13/147
2018/0165053 A1 * 6/2018 Kuo G06F 3/1454

OTHER PUBLICATIONS

“Have a MacBook Pro? Check out these insane deals on HomeSpot USB-C hubs!” second Homespot USB-C hub pictured therein, online, post date Nov. 23, 2017, URL: <https://www.appleworld.today/blog/2017/11/23/have-a-macbook-pro-check-out-these-insane-deals-on-homespot-usb-c-hubs>, retrieved Feb. 6, 2020.*

* cited by examiner

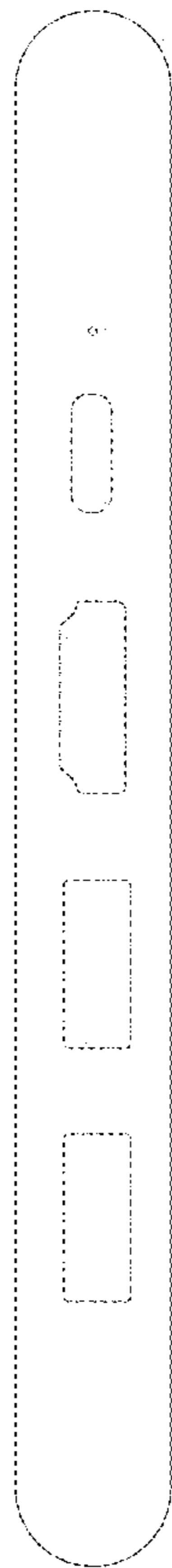


FIG. 1

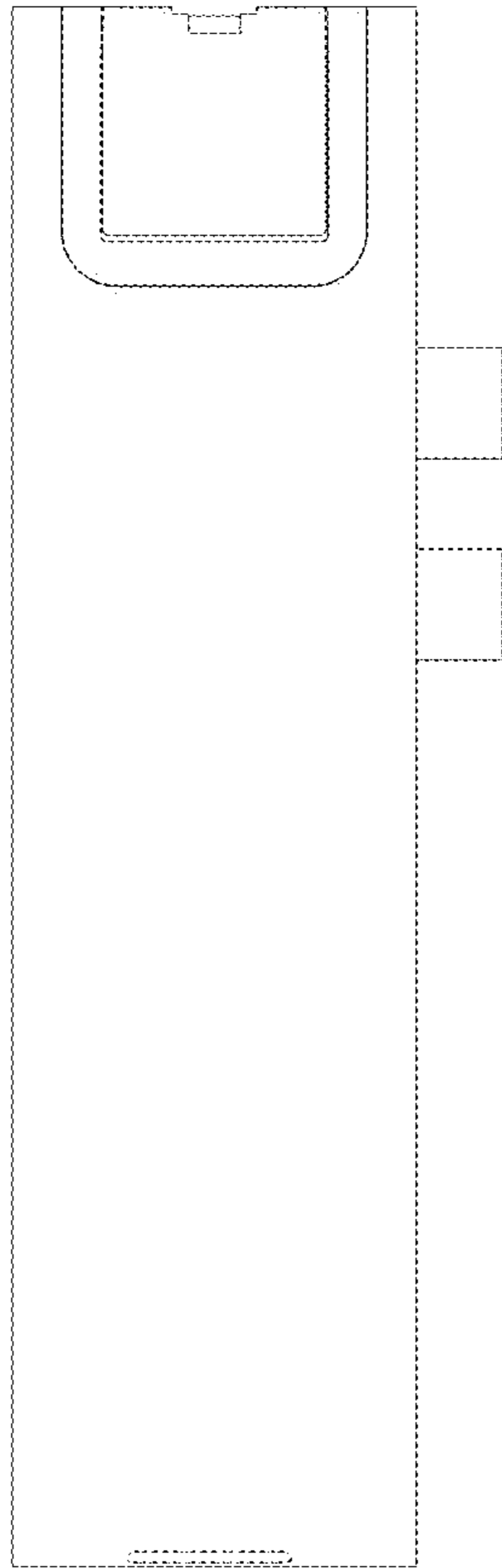


FIG. 2



FIG. 3

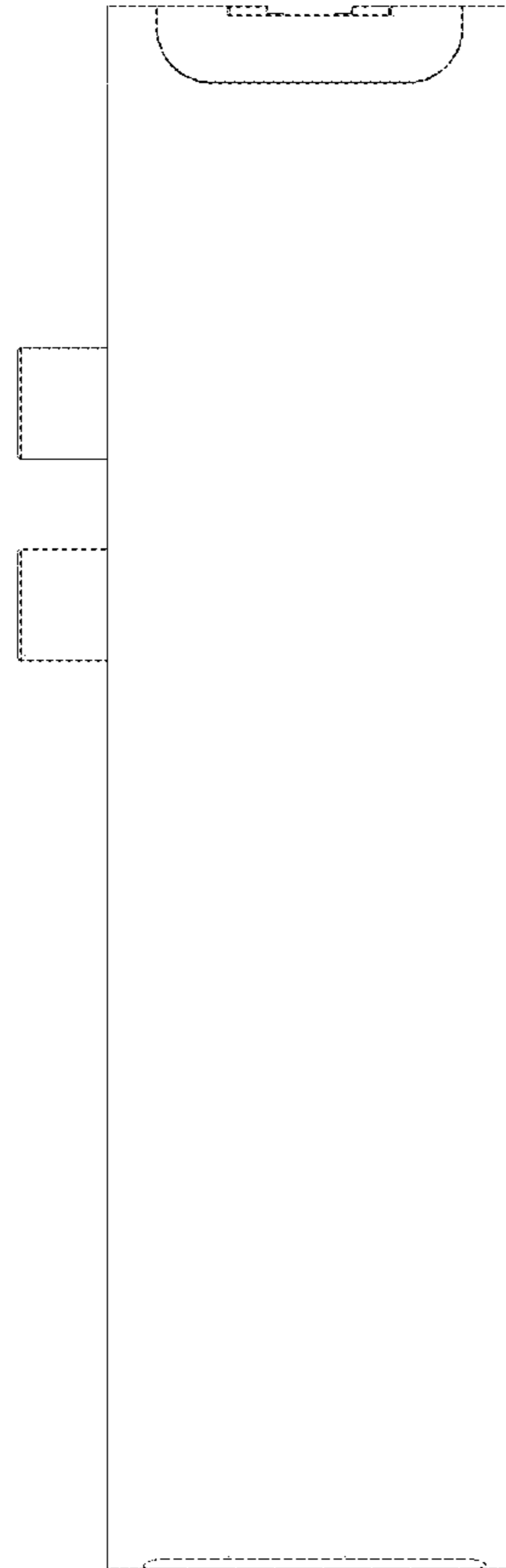


FIG. 4

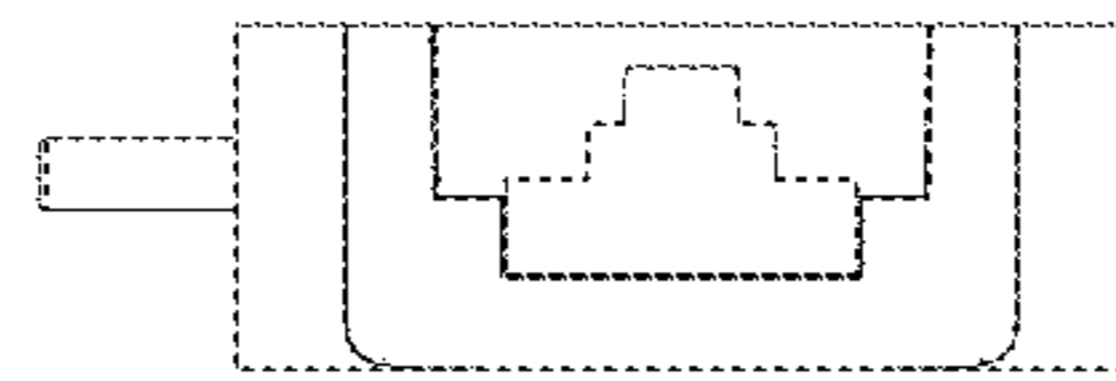


FIG. 5

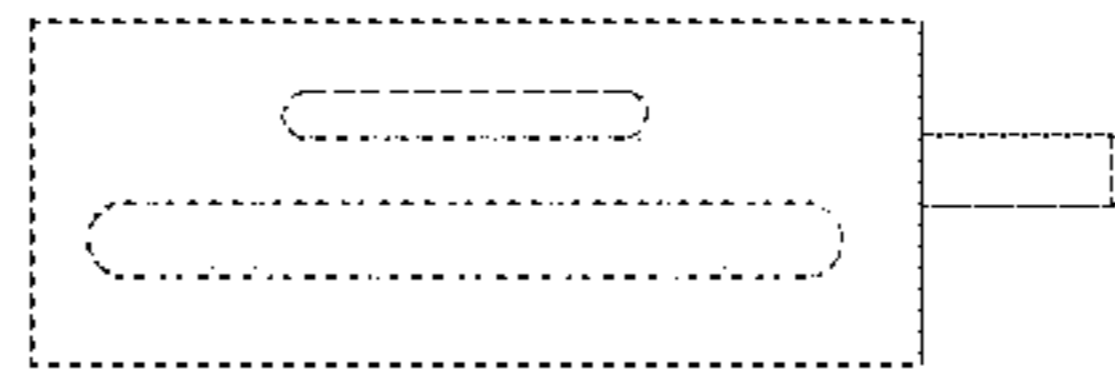


FIG. 6

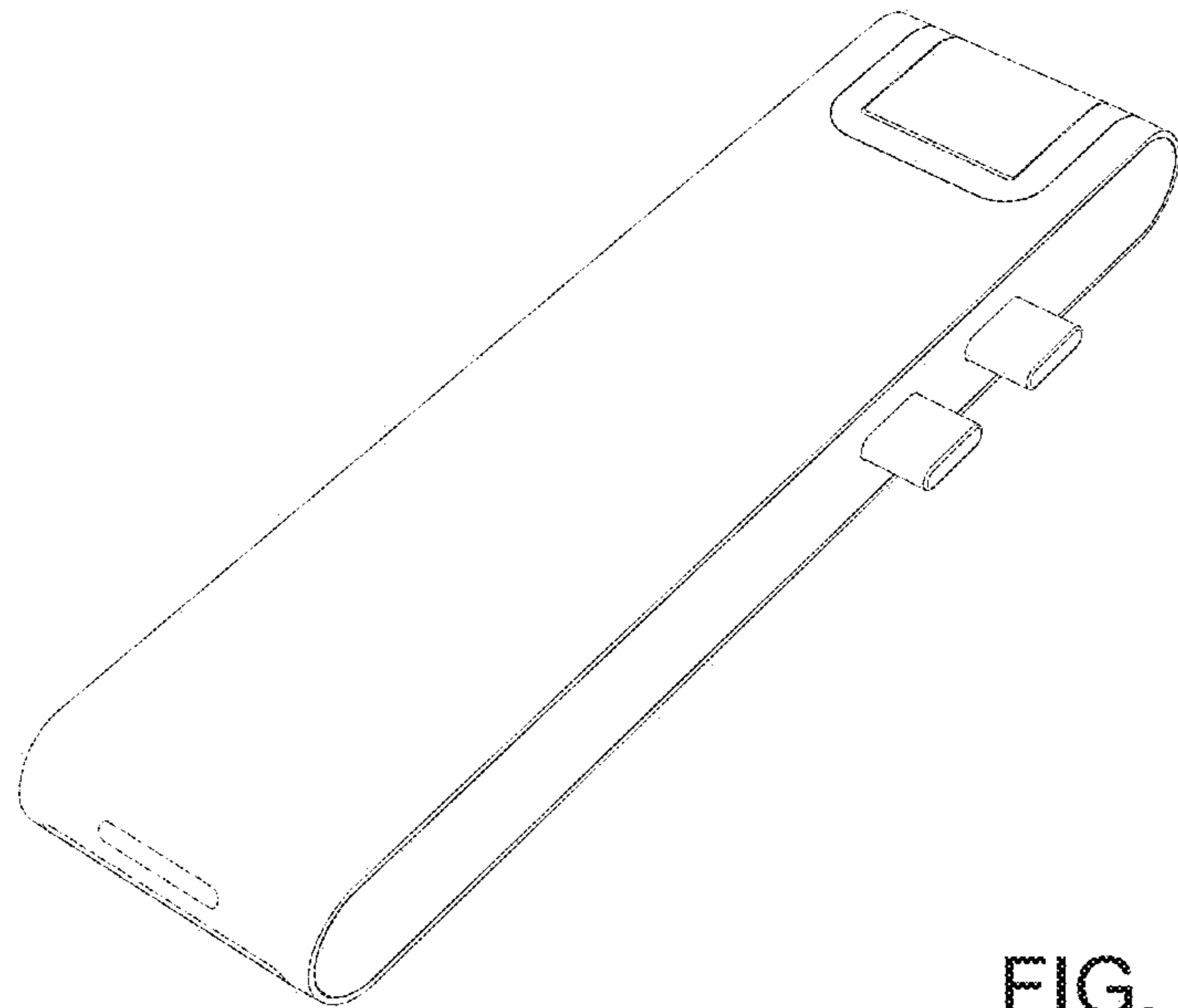


FIG. 7

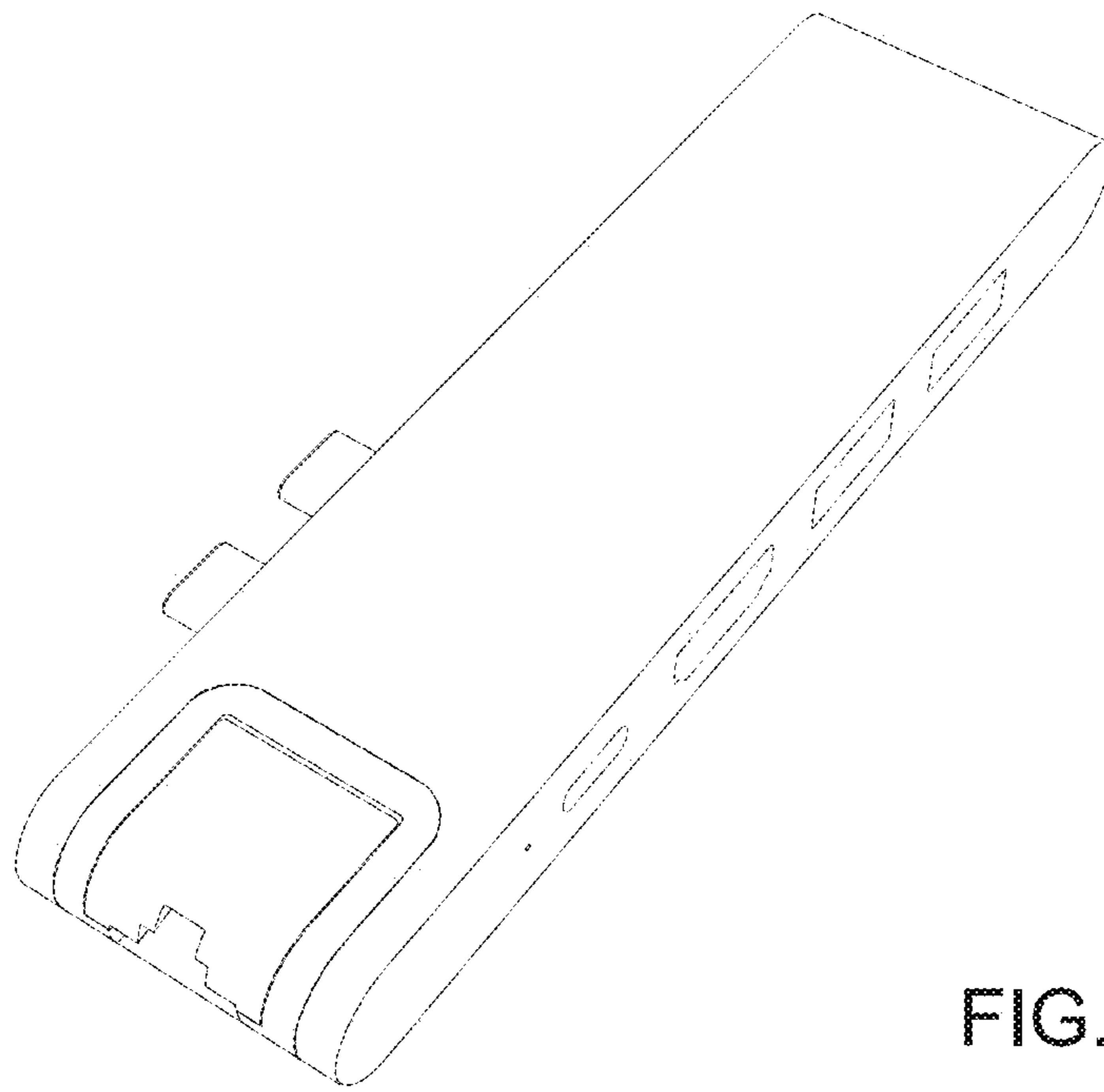


FIG. 8