



US00D880479S

(12) **United States Design Patent**  
**Liao**

(10) **Patent No.:** **US D880,479 S**

(45) **Date of Patent:** **\*\* Apr. 7, 2020**

(54) **MULTI-FUNCTION CONVERTER WITH EXTENDED STORAGE**

(71) Applicant: **Gopod Group Ltd.**,  
Shenzhen/Guangdong (CN)

(72) Inventor: **Zhuowen Liao**, Shenzhen (CN)

(73) Assignee: **Gopod Group Ltd.** (CN)

(\*\*) Term: **15 Years**

(21) Appl. No.: **29/666,887**

(22) Filed: **Oct. 17, 2018**

(30) **Foreign Application Priority Data**

Sep. 27, 2018 (CN) ..... 2018 3 0543502

(51) **LOC (12) Cl.** ..... **14-02**

(52) **U.S. Cl.**  
USPC ..... **D14/433**

(58) **Field of Classification Search**

USPC ..... D14/240, 242, 356, 357, 358, 378, 383,  
D14/384, 385, 386, 433, 434, 435.1,  
D14/480.1, 480.3, 480.4, 480.5, 480.6,  
D14/480.7; D13/103, 107, 108, 110, 146;  
D18/12, 12.1, 12.3  
CPC .... H01R 25/003; H01R 25/006; H01R 27/02;  
H01R 31/005; H01R 13/60; H01R  
13/6658; H01R 13/72; G06F 1/1607;  
G06F 1/1632; G06F 1/1684; G06F 1/266;  
G06F 11/325; G06F 13/00; G06F 13/12;  
G06F 13/14; G06F 13/20; G06F 13/382;  
G06F 13/4022; G06F 9/4413

See application file for complete search history.

(56) **References Cited**

U.S. PATENT DOCUMENTS

D762,169 S \* 7/2016 Lei ..... D13/108  
D798,811 S \* 10/2017 Liao ..... D13/110

D807,290 S \* 1/2018 Liao ..... D13/110  
D813,875 S \* 3/2018 Liao ..... D14/434  
D828,354 S \* 9/2018 Chuang ..... D14/433  
D828,839 S \* 9/2018 Zhang ..... D14/433  
D828,840 S \* 9/2018 Zhang ..... D14/433

(Continued)

**OTHER PUBLICATIONS**

Gopod 2017 usb c converter 16 port usb hub, online, no post date,  
URL: [https://www.alibaba.com/product-detail/Gopod-2017-usb-c-converter-16\\_60619754497.html](https://www.alibaba.com/product-detail/Gopod-2017-usb-c-converter-16_60619754497.html), retrieved Feb. 10, 2020.\*

(Continued)

*Primary Examiner* — Angela J Lee

*Assistant Examiner* — Rebekah A Caruso

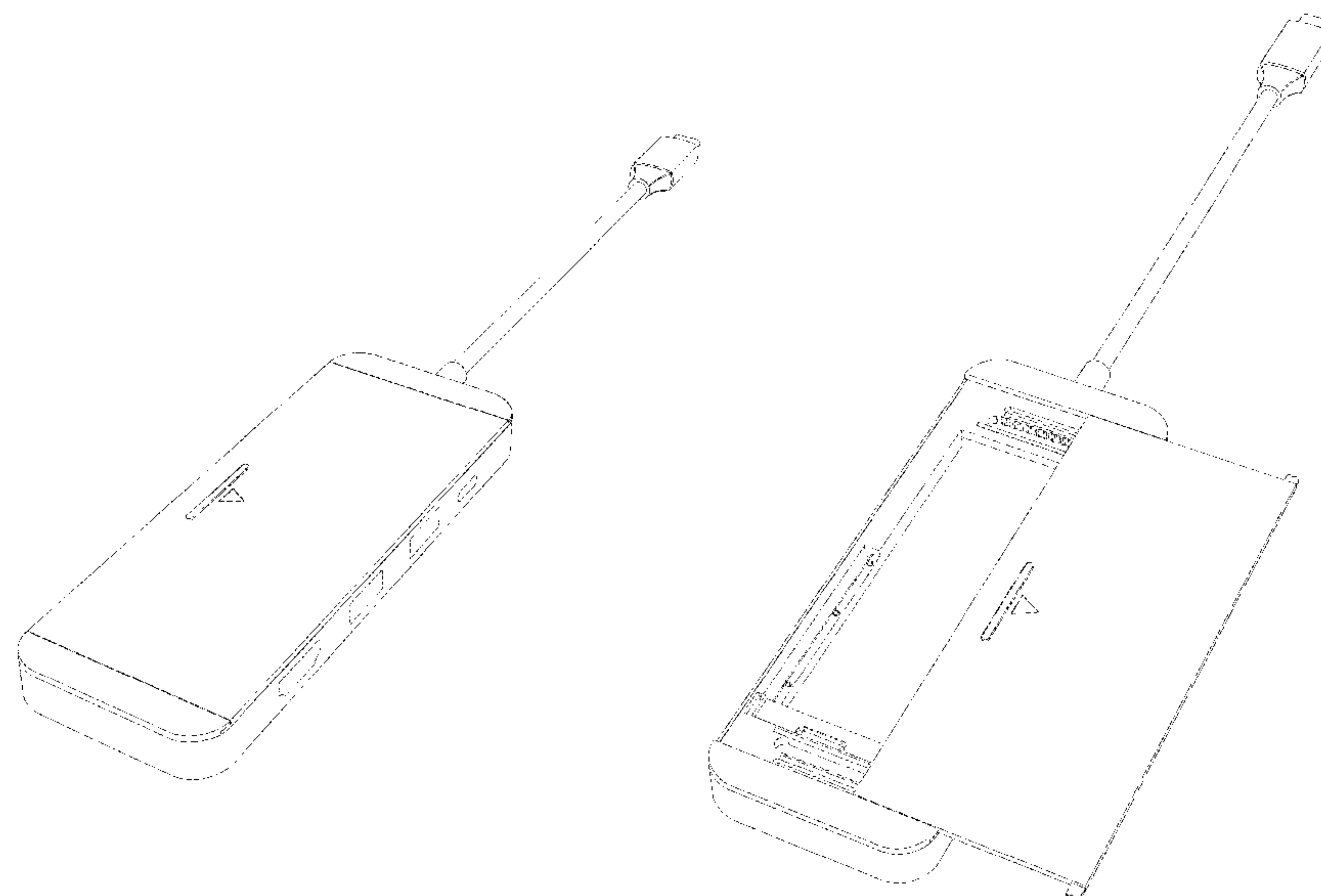
(57) **CLAIM**

The ornamental design for a multi-function converter with extended storage, as shown and described.

**DESCRIPTION**

FIG. 1 is a right side view of a multi-function converter with extended storage showing my new design;  
FIG. 2 is a top view thereof;  
FIG. 3 is a bottom view thereof;  
FIG. 4 is a left side view thereof;  
FIG. 5 is a front view thereof;  
FIG. 6 is a rear view thereof;  
FIG. 7 is a bottom, rear, left side perspective view thereof;  
FIG. 8 is a bottom, front, right side perspective view thereof;  
and,  
FIG. 9 is a bottom, rear, left side perspective view of the multi-function converter with extended storage of FIGS. 1-8 in an open configuration.  
The broken lines shown in the drawings illustrate portions of the multi-function converter with extended storage that form no part of the claimed design.

**1 Claim, 9 Drawing Sheets**



(56)

**References Cited**

## U.S. PATENT DOCUMENTS

D828,841 S \* 9/2018 Zhang ..... D14/433  
D838,241 S \* 1/2019 Xie ..... D13/108  
D839,876 S \* 2/2019 Turksu ..... D14/435.1  
D843,316 S \* 3/2019 Zhou ..... D13/108  
D844,618 S \* 4/2019 Liao ..... D14/434  
D847,139 S \* 4/2019 Wang ..... D14/433  
D853,322 S \* 7/2019 Xu ..... D13/108  
D853,397 S \* 7/2019 Wang ..... D14/435.1  
D854,020 S \* 7/2019 Liao ..... D14/434  
D855,616 S \* 8/2019 Chin ..... D14/433  
D862,474 S \* 10/2019 Liu ..... D14/433  
D863,310 S \* 10/2019 Liao ..... D14/433  
D864,205 S \* 10/2019 Wang ..... D14/433  
D864,209 S \* 10/2019 Wang ..... D14/434  
D864,964 S \* 10/2019 Lyu ..... D14/433  
D866,557 S \* 11/2019 Xiong ..... D14/433  
2015/0171386 A1 \* 6/2015 Yang ..... H01M 2/1022  
429/163

## OTHER PUBLICATIONS

The Best USB-C Hub for Your New Laptop, The Verge online, post date Jun. 1, 2018, URL: <https://www.theverge.com/this-is-my-next/2018/6/1/17413728/the-best-usb-c-hub-for-laptops-macbook-pro> , retrieved Dec. 18, 2019.\*

\* cited by examiner

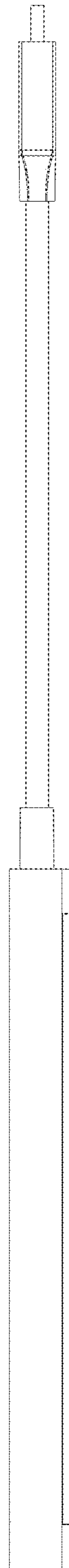


FIG. 1

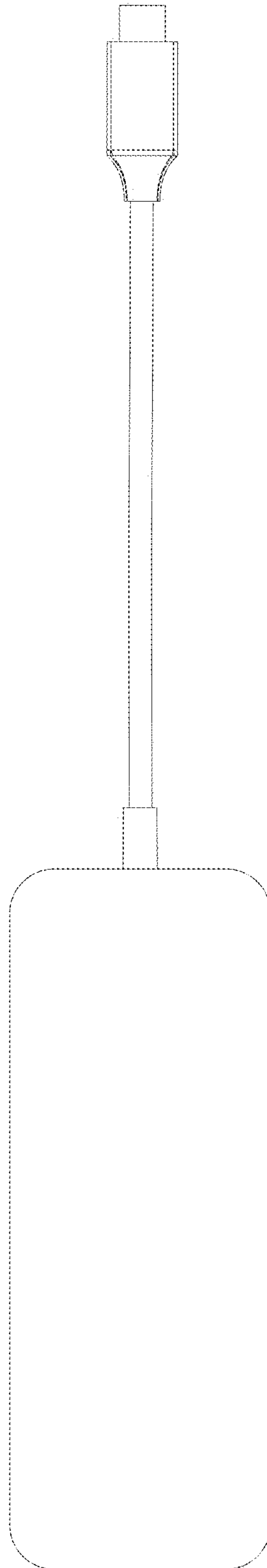


FIG. 2

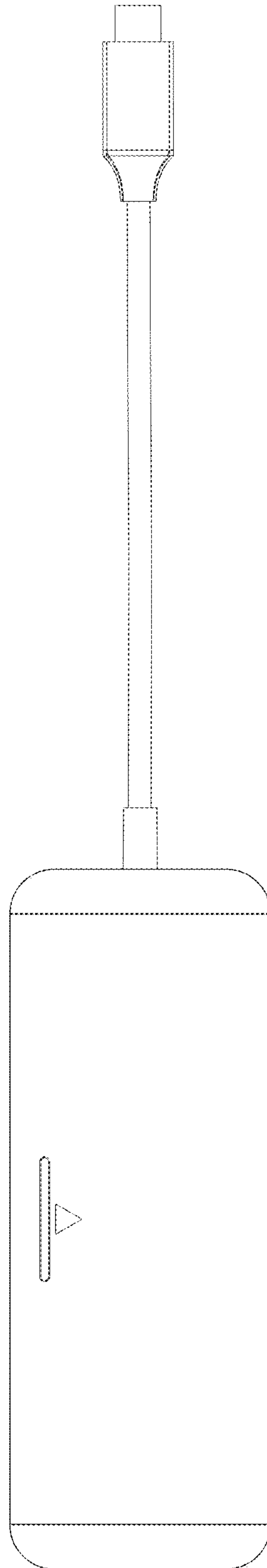


FIG. 3

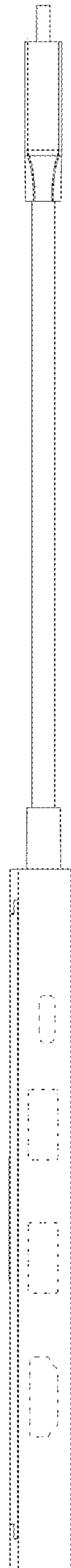


FIG. 4

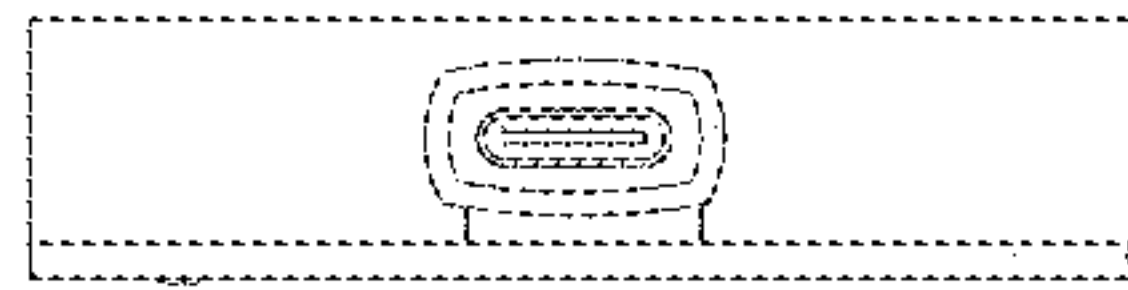


FIG. 5



**FIG. 6**



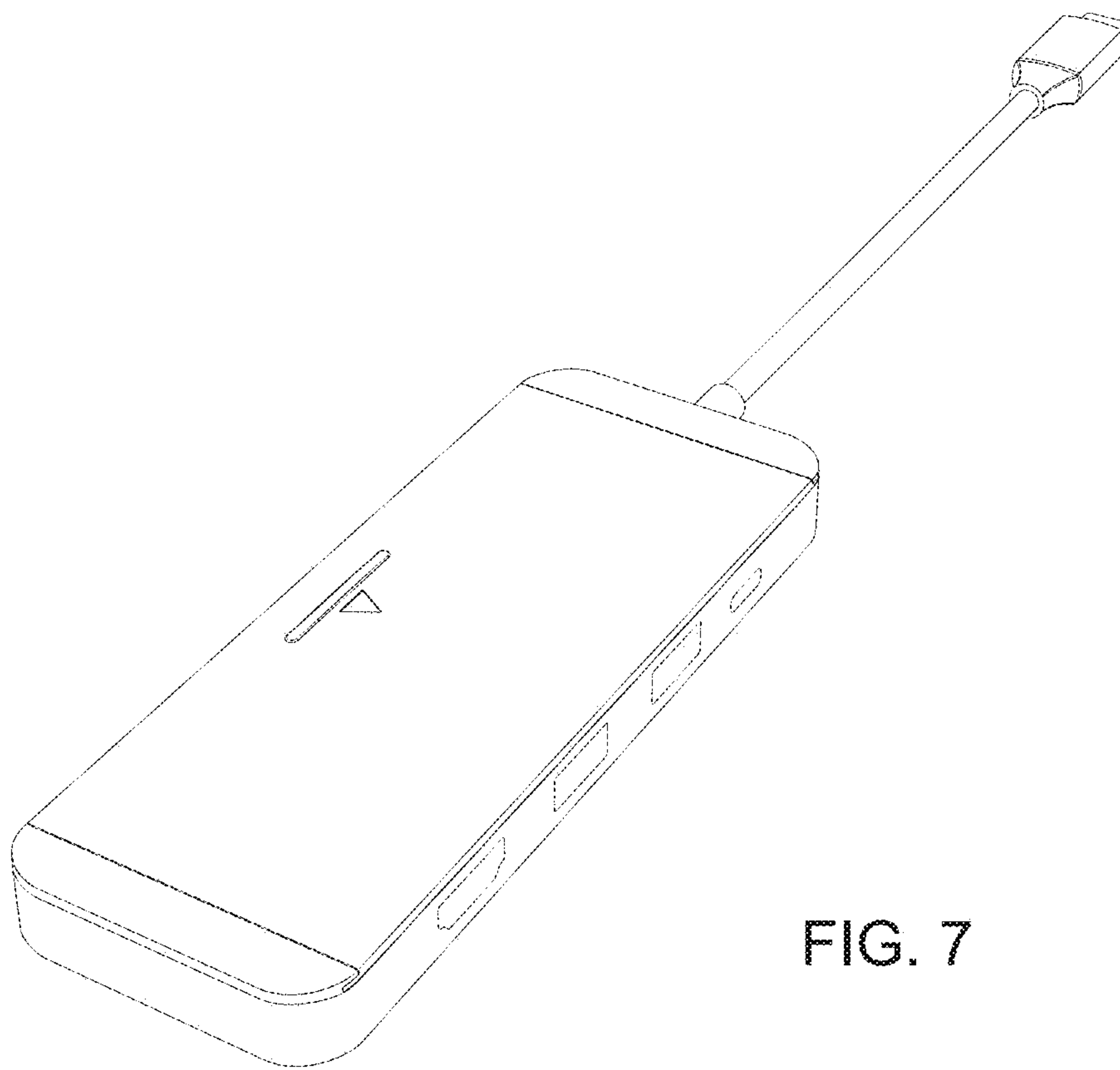


FIG. 7

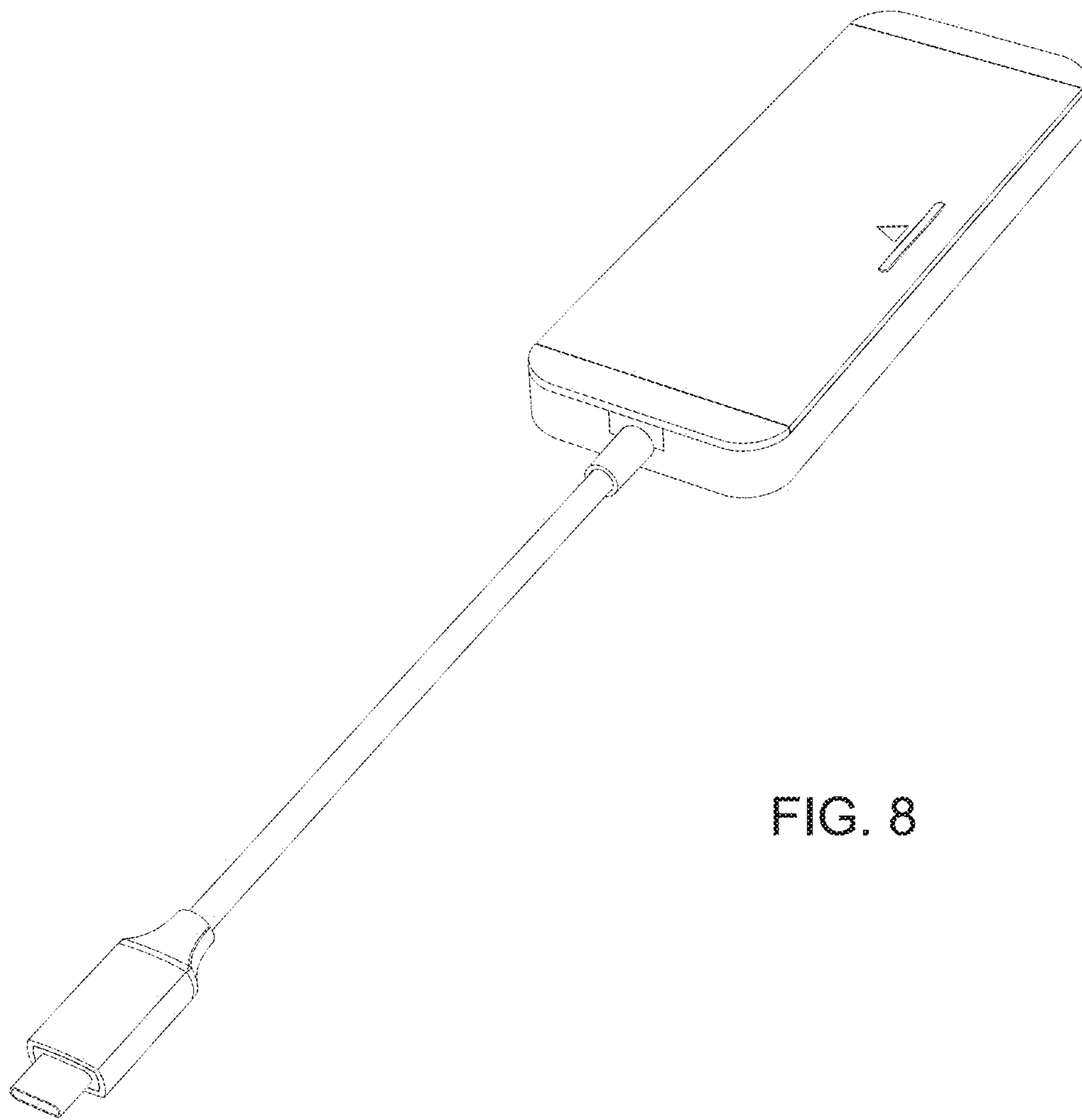


FIG. 8

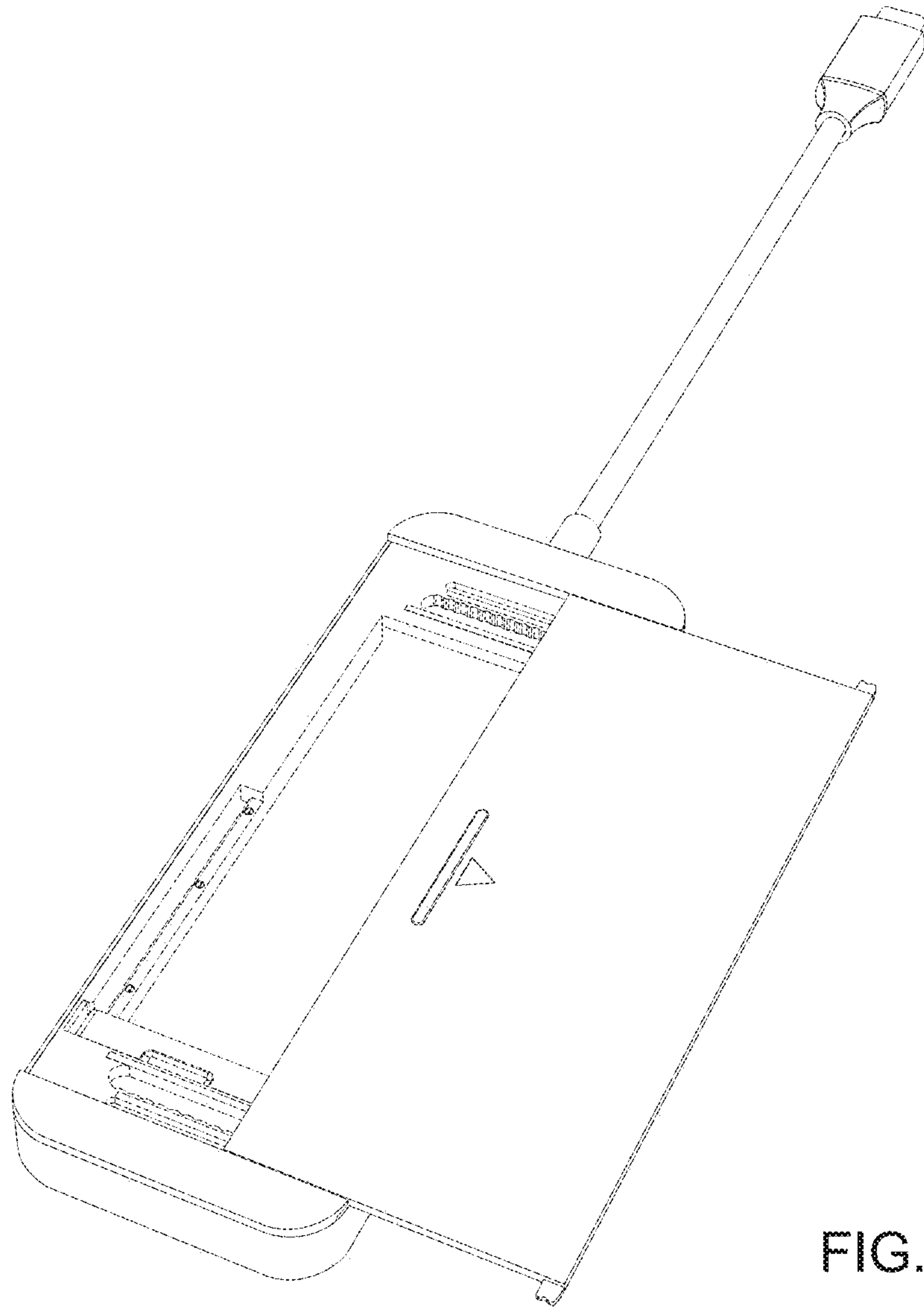


FIG. 9