



US00D880476S

(12) **United States Design Patent**  
**Chen et al.**

(10) **Patent No.:** **US D880,476 S**  
(45) **Date of Patent:** **\*\* Apr. 7, 2020**

(54) **HEAD MOUNTED DISPLAY**  
(71) Applicant: **Quanta Computer Inc.**, Taoyuan (TW)  
(72) Inventors: **Jyun-Jie Chen**, Taoyuan (TW);  
**Shih-Yun Lee**, Taoyuan (TW);  
**Gwo-Chyuan Chen**, Taoyuan (TW)  
(73) Assignee: **QUANTA COMPUTER INC.**,  
Guishan Dist., Taoyuan (TW)

(\*\*) Term: **15 Years**

(21) Appl. No.: **29/684,128**

(22) Filed: **Mar. 19, 2019**

(30) **Foreign Application Priority Data**  
Jan. 4, 2019 (TW) ..... 108300062  
(51) **LOC (12) Cl.** ..... **14-02**  
(52) **U.S. Cl.**  
USPC ..... **D14/372**  
(58) **Field of Classification Search**  
USPC ..... D14/372, 496, 432, 371, 125, 126, 129,  
D14/299; D16/300-342; 351/158, 153,  
351/144; 345/7-9, 905; 455/344;  
348/115, 53, 121, 739  
CPC ..... G02B 27/017; G02B 27/0158; G02B  
27/0161; G02B 27/0181; G02B 27/0185;  
G02B 27/0189

See application file for complete search history.

(56) **References Cited**  
U.S. PATENT DOCUMENTS  
D825,560 S \* 8/2018 Gribetz ..... D14/372  
D858,522 S \* 9/2019 Chen ..... D14/372  
D859,403 S \* 9/2019 Reed ..... D14/372  
D870,727 S \* 12/2019 Nie ..... D14/372  
D871,405 S \* 12/2019 Denhez ..... D14/372  
D872,079 S \* 1/2020 Huang ..... D14/372  
D872,081 S \* 1/2020 Denhez ..... D14/372  
D872,084 S \* 1/2020 Reed ..... D14/372

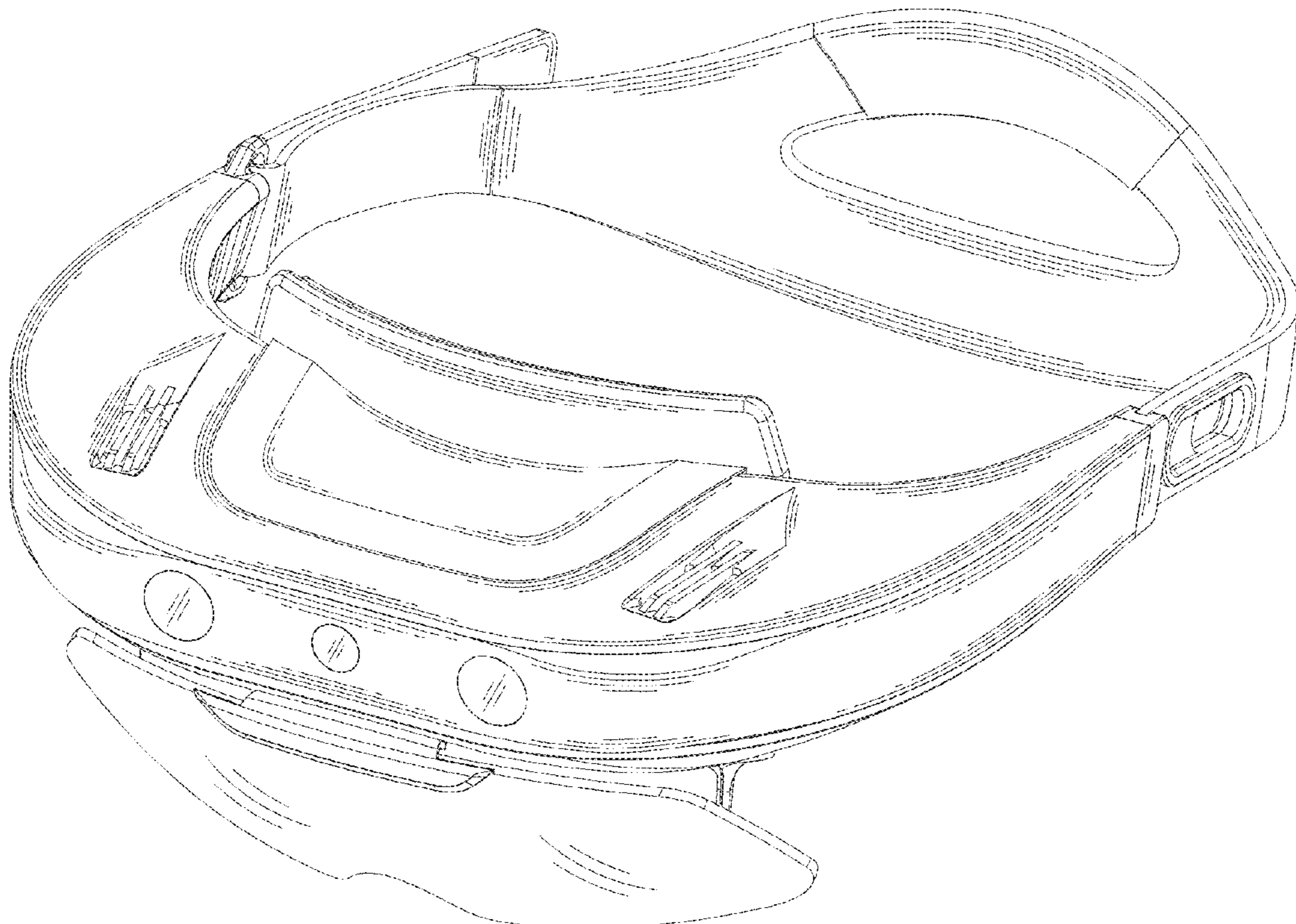
\* cited by examiner

*Primary Examiner* — Austin Murphy  
(74) *Attorney, Agent, or Firm* — McClure, Qualey &  
Rodack, LLP

(57) **CLAIM**  
The ornamental design for a head mounted display, as shown  
and described.

**DESCRIPTION**  
FIG. 1 is a front perspective view of a head mounted display  
showing our new design;  
FIG. 2 is a front view thereof;  
FIG. 3 is a rear view thereof;  
FIG. 4 is a left side view thereof;  
FIG. 5 is a right side view thereof;  
FIG. 6 is a top plan view thereof; and,  
FIG. 7 is a bottom plan view thereof.

**1 Claim, 7 Drawing Sheets**



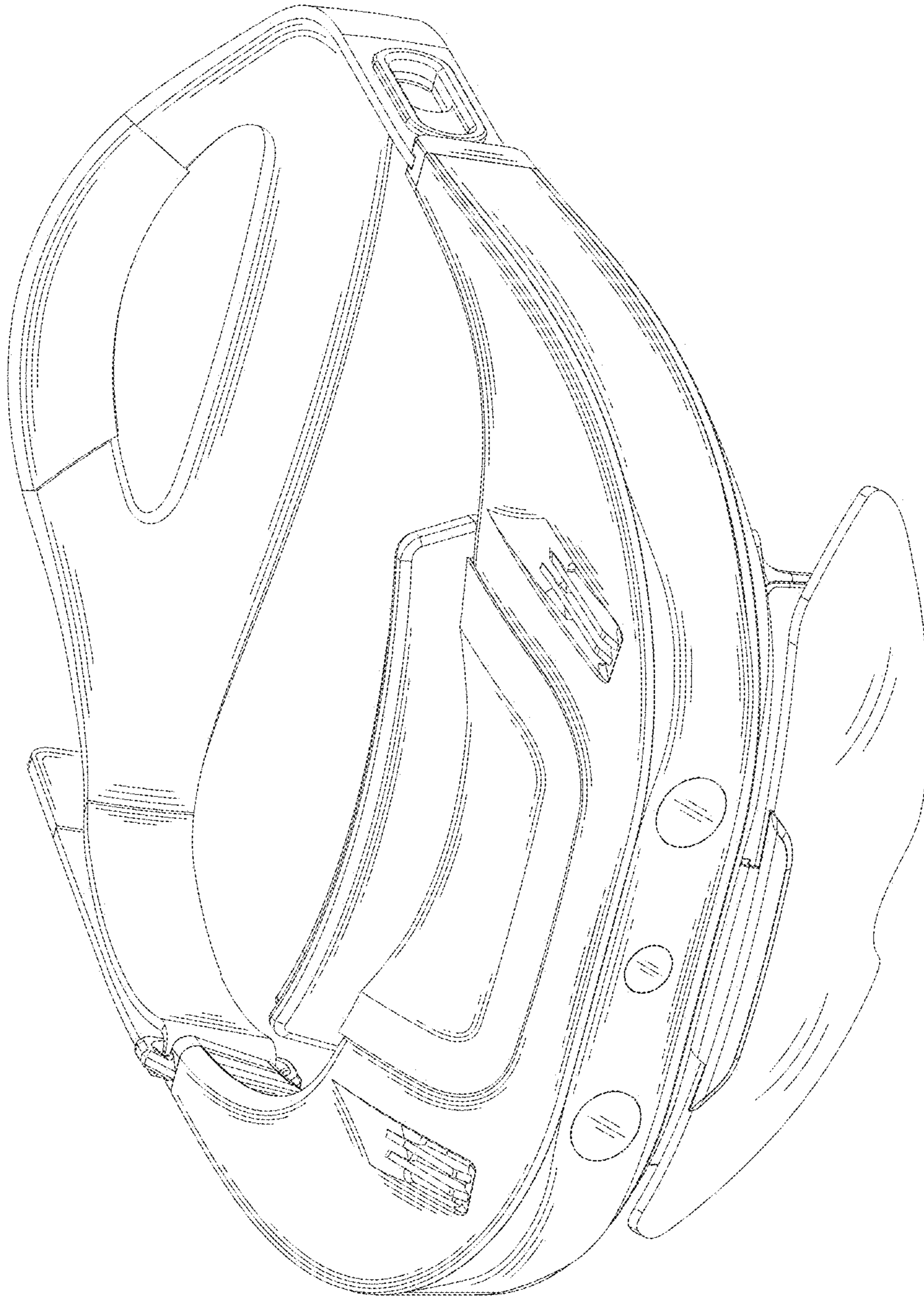


FIG. 1

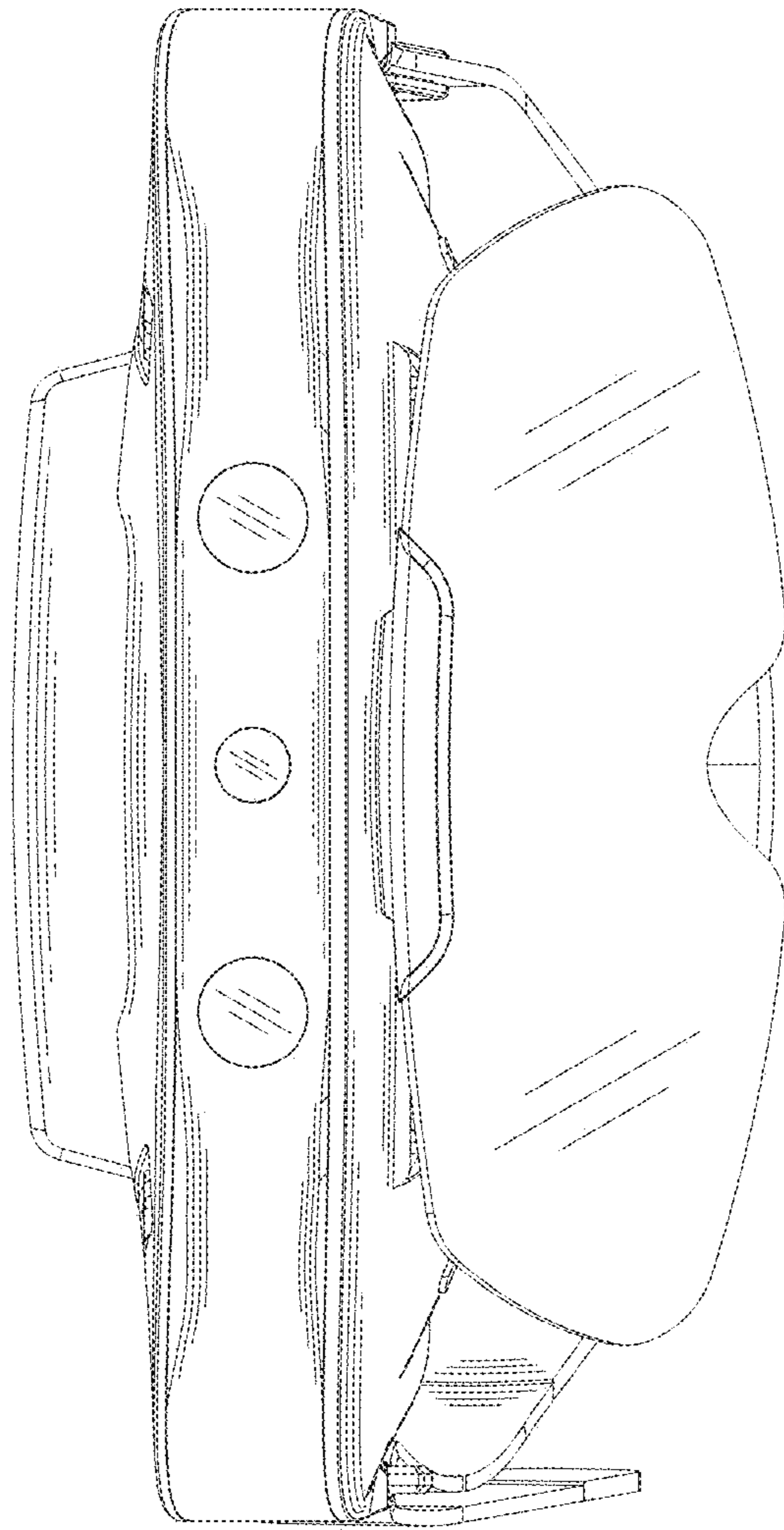


FIG. 2

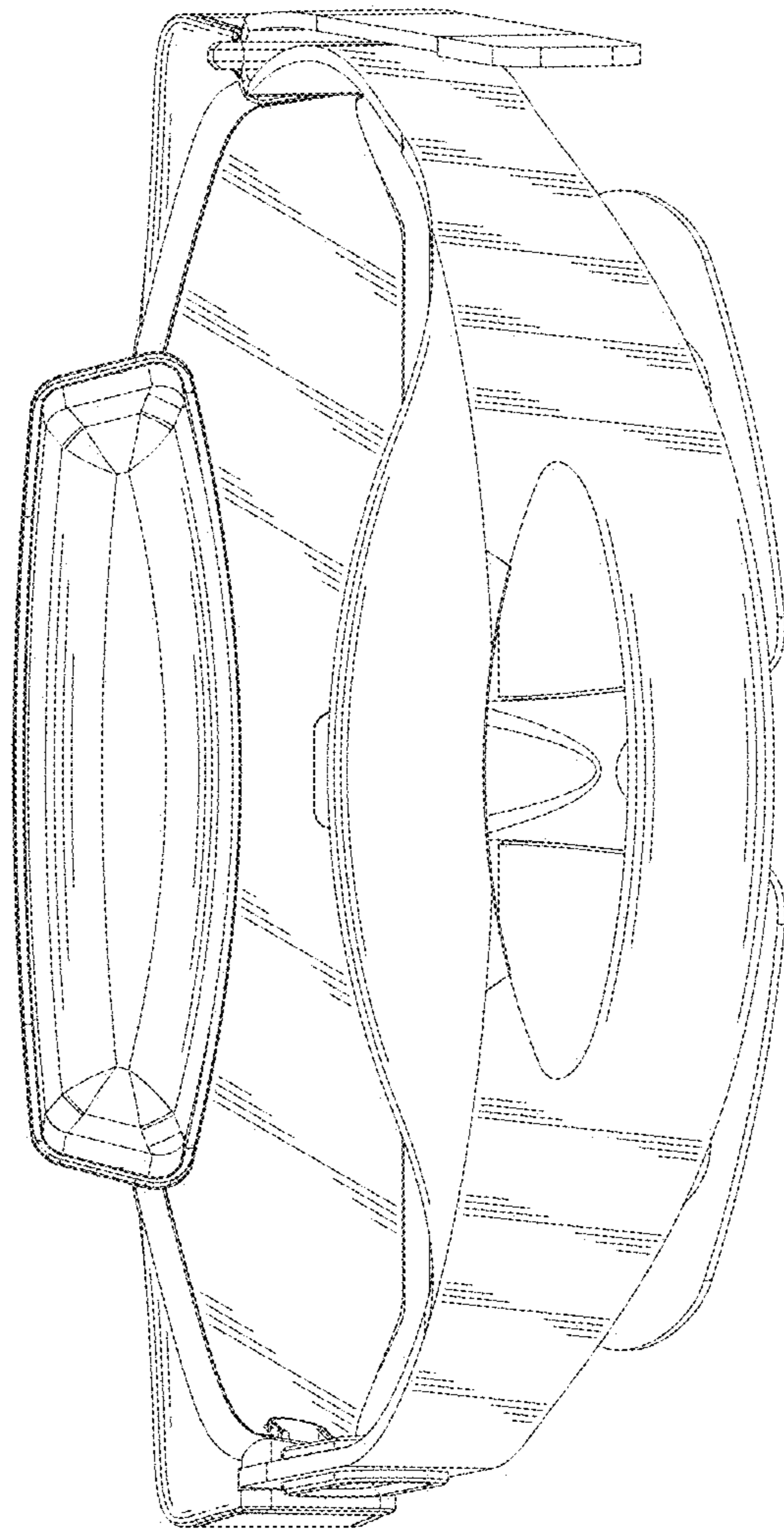


FIG. 3

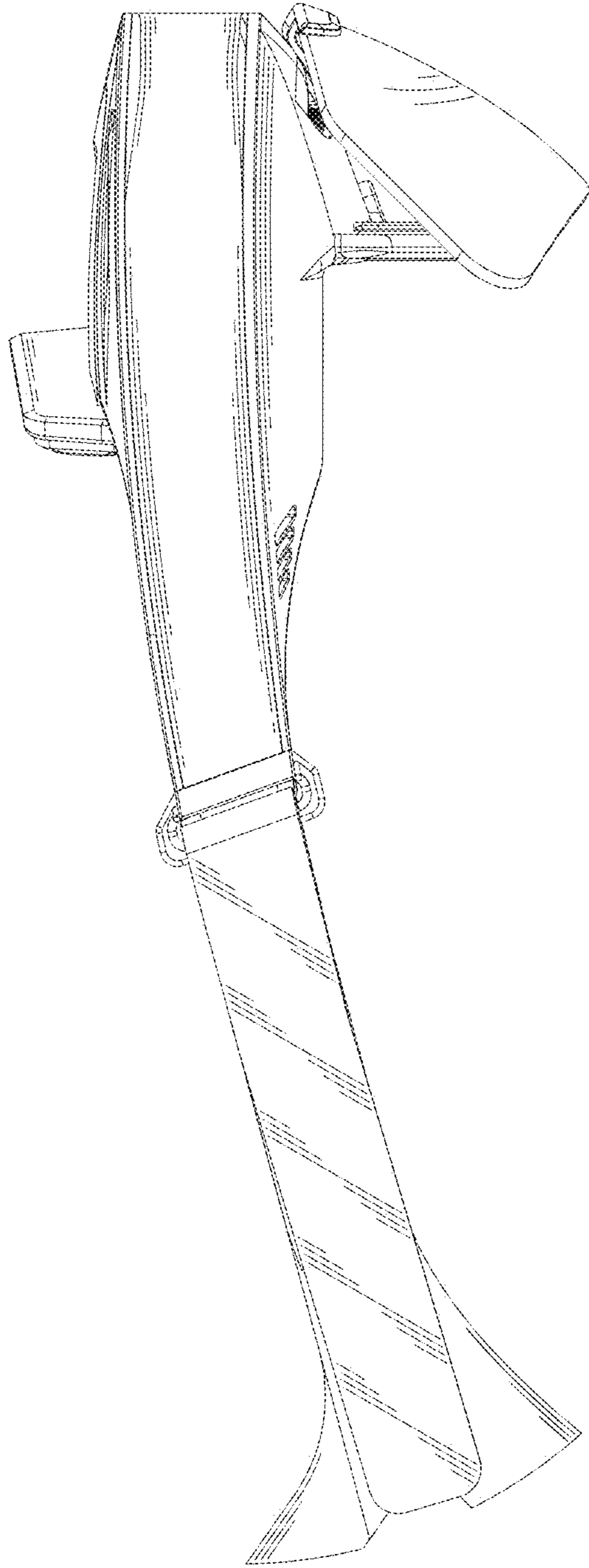


FIG. 4

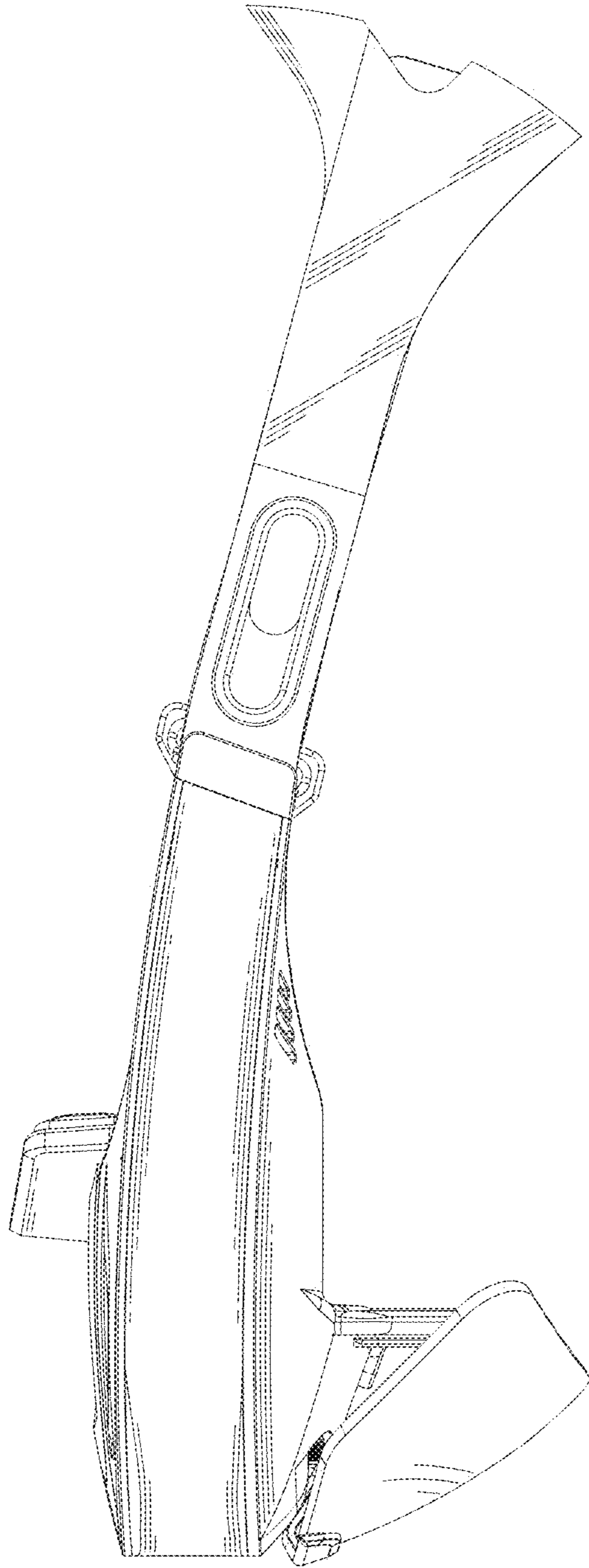


FIG. 5

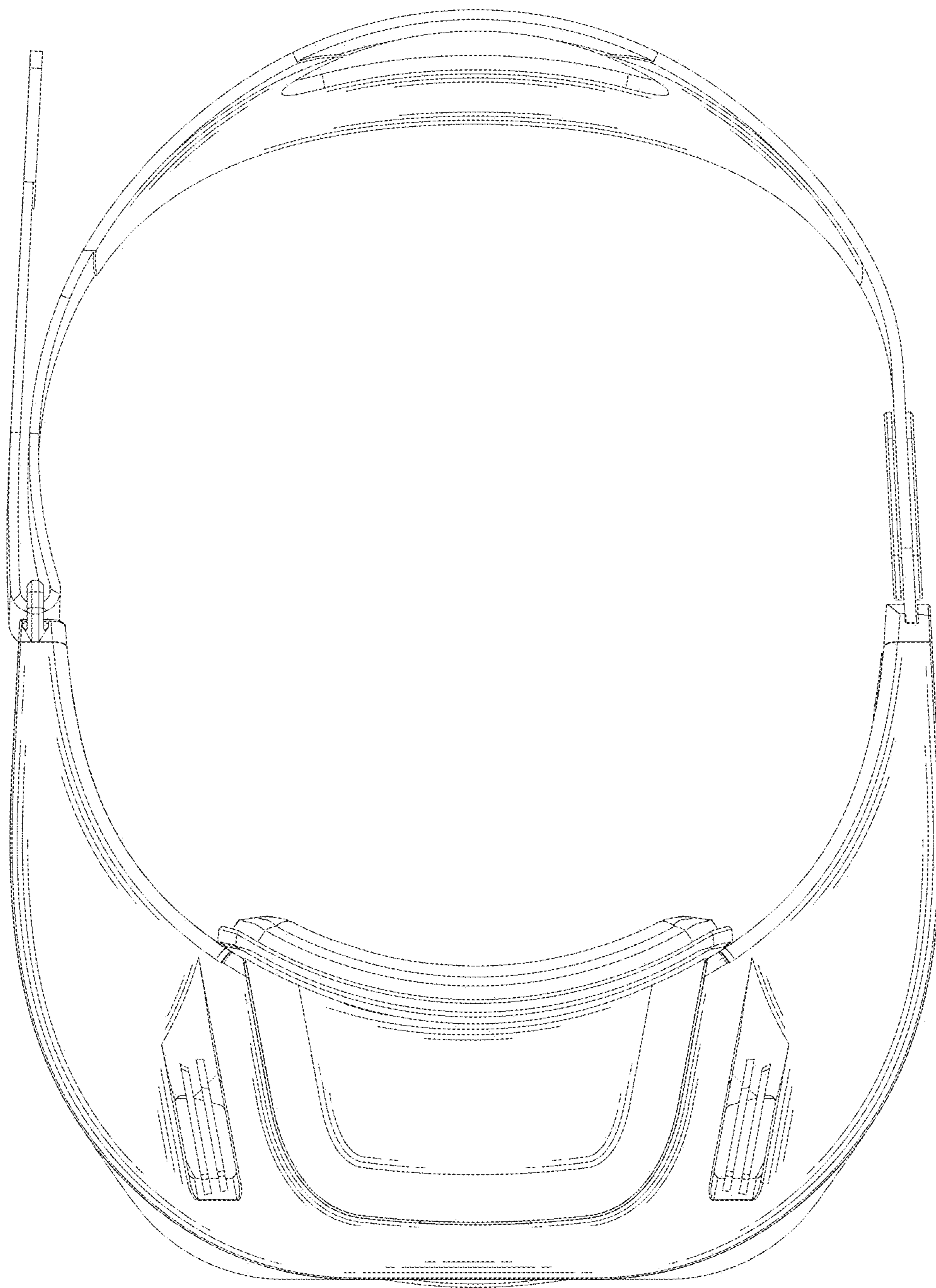


FIG. 6

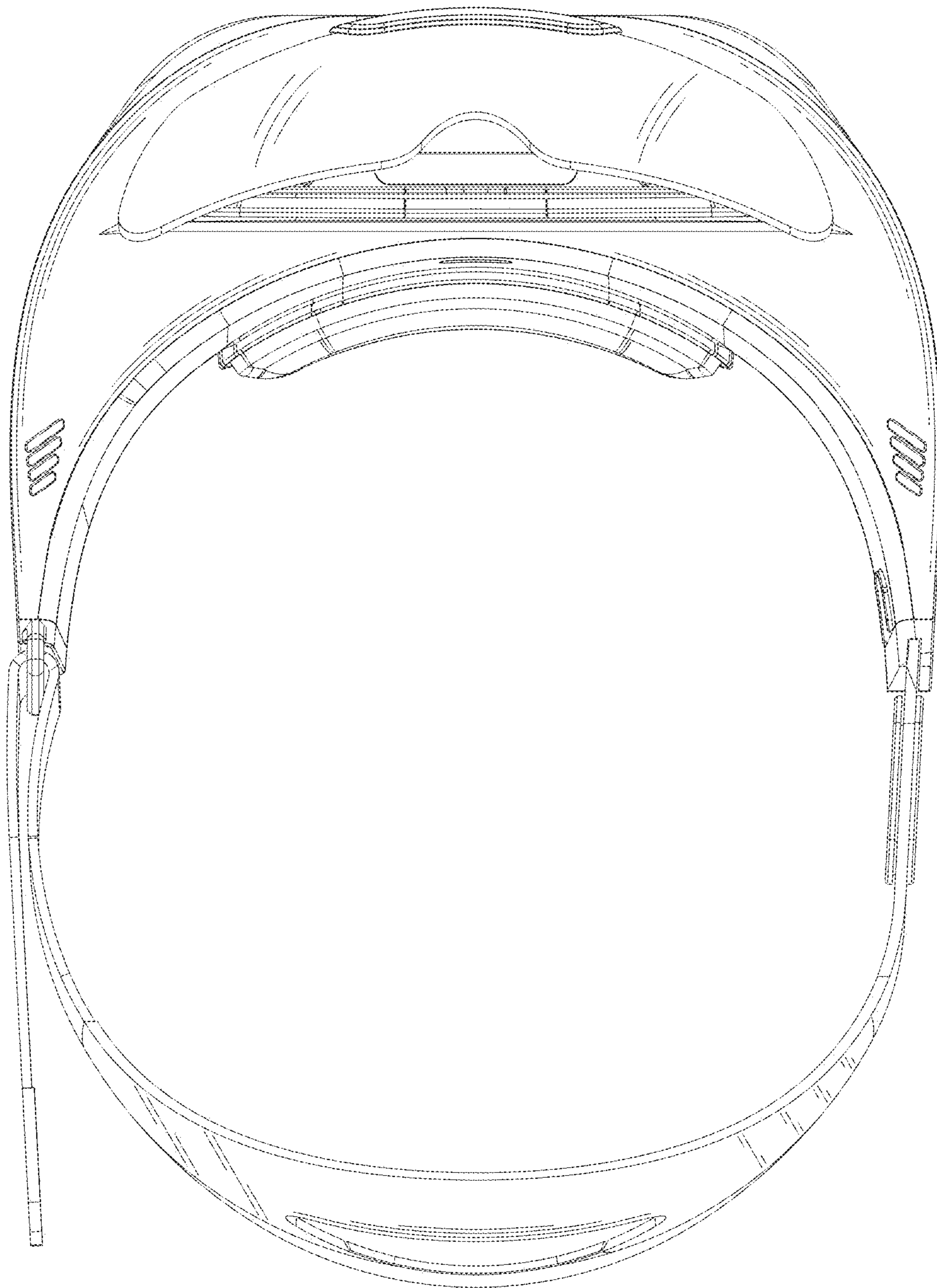


FIG. 7