



US00D880474S

(12) **United States Design Patent** (10) **Patent No.:** **US D880,474 S**
Finckh (45) **Date of Patent:** **** Apr. 7, 2020**

(54) **COMPUTER**

FOREIGN PATENT DOCUMENTS

(71) Applicant: **MODINICE GMBH**, München (DE)

EM 002711192-0002 3/2015

(72) Inventor: **Mike Finckh**, München (DE)

JP 1120285 9/2001

JP 1445542 7/2012

(**) Term: **15 Years**

Primary Examiner — Mary Ann Calabrese

Assistant Examiner — Jennifer L Rempfer

(21) Appl. No.: **35/501,697**

(74) *Attorney, Agent, or Firm* — Thorpe North & Western LLP

(22) Filed: **Jun. 22, 2016**

(80) **Hague Agreement Data**

Int. Filing Date: **Jun. 22, 2016**

Int. Reg. No.: **DM/092743**

Int. Reg. Date: **Jun. 22, 2016**

Int. Reg. Pub. Date: **Oct. 14, 2016**

(57) **CLAIM**

The ornamental design for computer, as shown and described.

(51) **LOC (12) Cl.** **14-02**

(52) **U.S. Cl.**
USPC **D14/336**

(58) **Field of Classification Search**
USPC D14/336, 337, 373, 448, 451, 452, 457,
D14/460, 461, 432, 374, 377, 349, 354;
D8/354, 363, 373
CPC H04N 5/64; H04N 5/645; H04N 5/655;
A61B 1/00048; F16M 11/045; F16M
11/046; F16M 11/105; F16M 11/28;
F16M 11/42
See application file for complete search history.

DESCRIPTION

3. Computer

3.1 is a front right side perspective view of the computer of the invention showing my new design and showing the outlines of two computer monitors in broken lines positioned as they would be mounted to the computer, the monitors forming no part of the claimed design but showing the environment for use of the computer of my new design, and showing the knobs on the top of the attachment brackets for the computer monitors in broken lines as the particular shape of such knobs form no part of my new design;

3.2 is a front elevational view thereof;

3.3 is a rear elevational view thereof;

3.4 is a right side elevational view thereof;

3.5 is a left side elevational view thereof;

3.6 is a top plan view thereof; and

3.7 is a bottom plan thereof.

The elements in broken lines in all figures representing the positioning of two computer monitors as they would be attached to the computer of my new design and the broken lines representing the knobs on the top of the attachment brackets for the computer monitors, are for illustrative purposes only, and are not part of the claimed design.

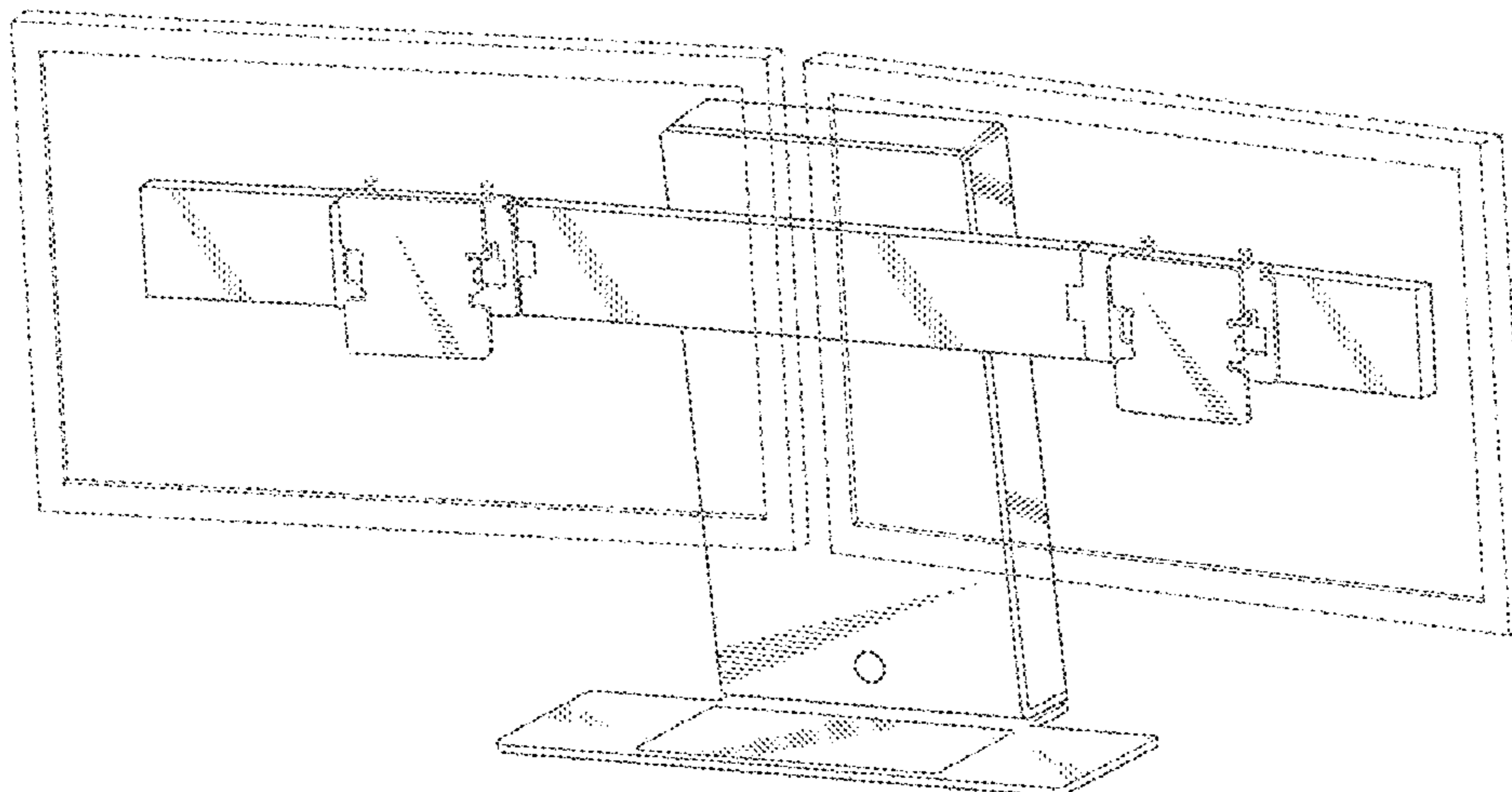
(56) **References Cited**

U.S. PATENT DOCUMENTS

5,687,939 A * 11/1997 Moscovitch F16M 11/14
248/122.1
D395,041 S * 6/1998 Leveridge D14/127
6,343,006 B1 * 1/2002 Moscovitch B60R 11/02
348/794
D587,710 S 3/2009 Han
D589,959 S * 4/2009 Han D14/373
7,623,342 B2 * 11/2009 Ozolins F16M 11/105
16/361
7,652,876 B2 * 1/2010 Moscovitch F16M 11/04
345/1.3

(Continued)

1 Claim, 5 Drawing Sheets



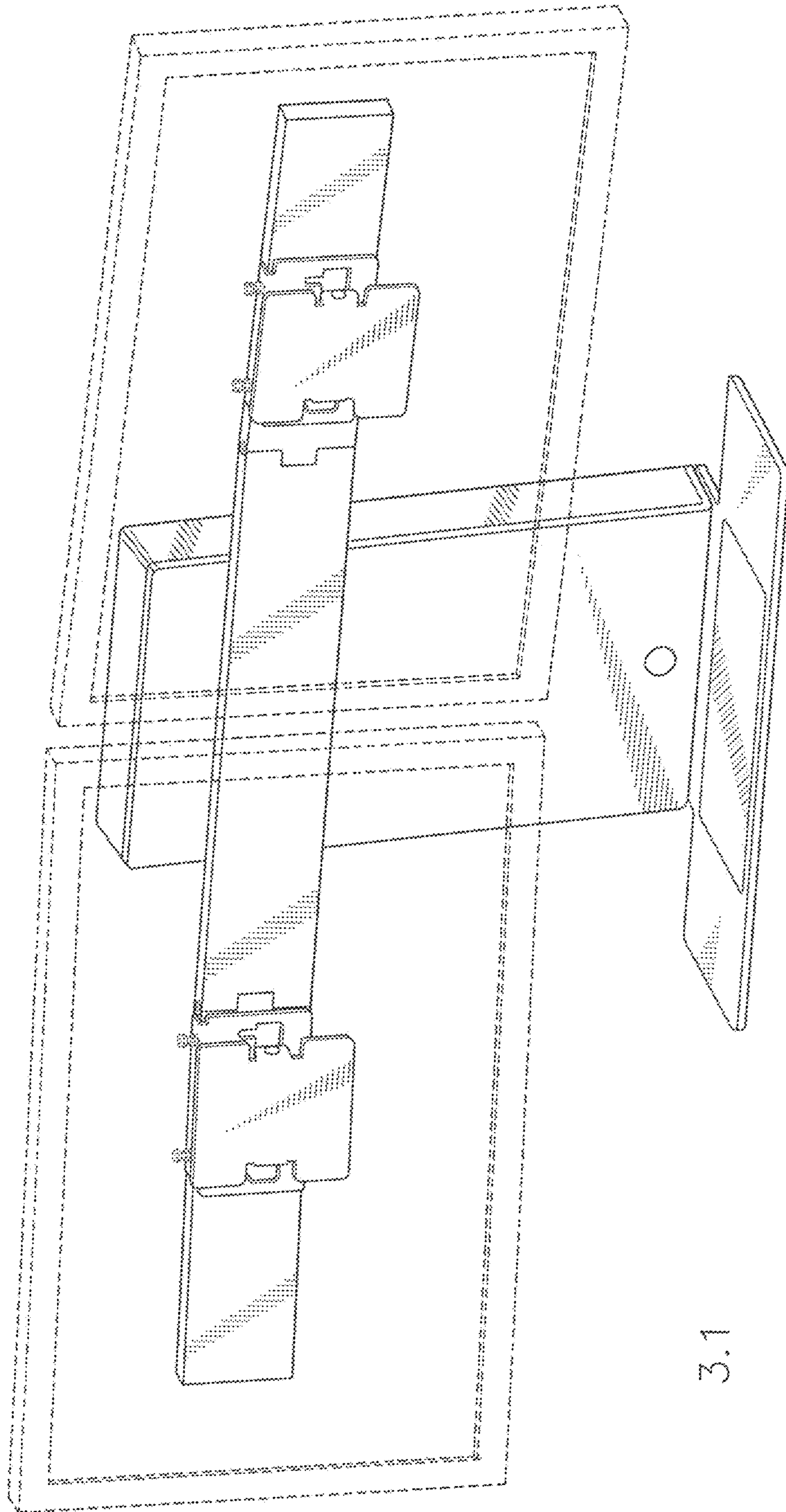
(56)

References Cited

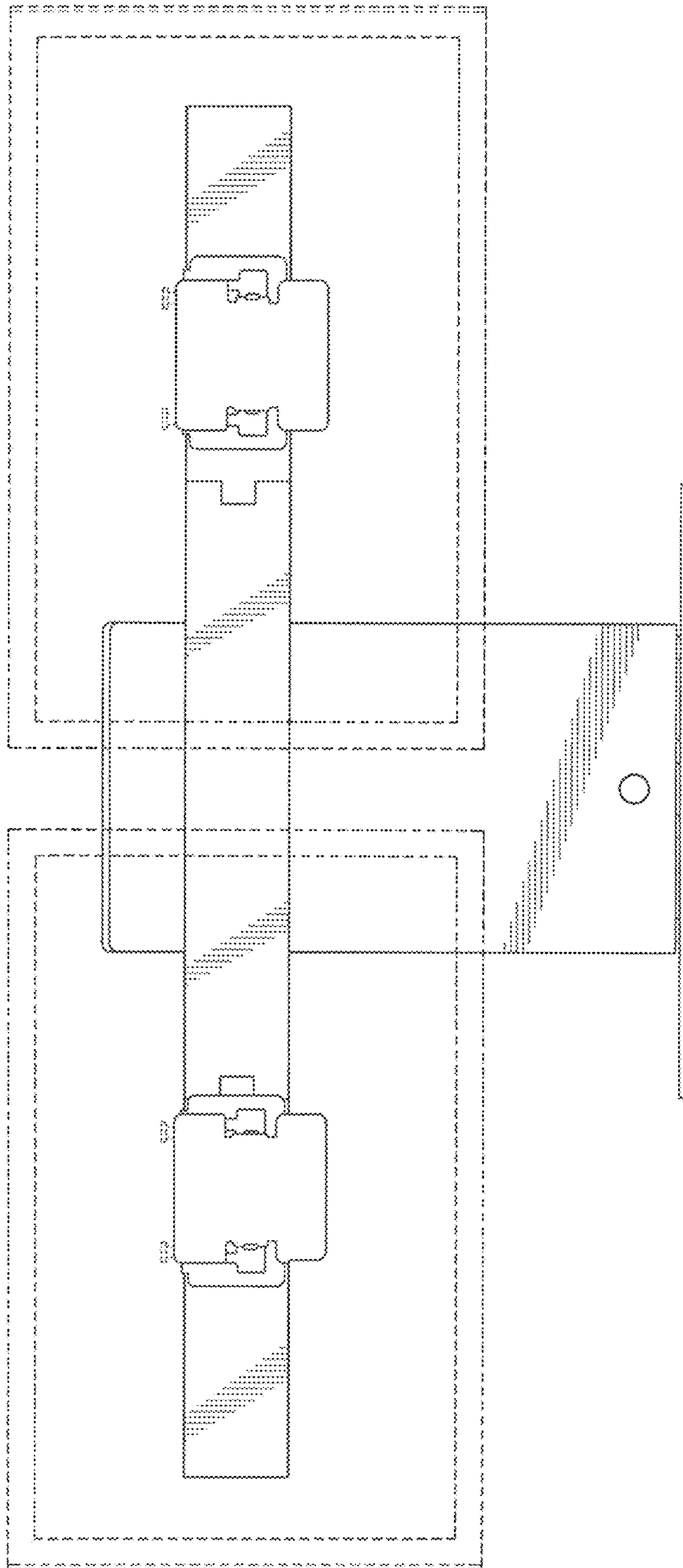
U.S. PATENT DOCUMENTS

D634,745 S * 3/2011 Park D14/373
D660,308 S * 5/2012 Huang D14/452
8,342,462 B2 * 1/2013 Sapper F16M 11/10
248/124.1
8,462,103 B1 * 6/2013 Moscovitch B60R 11/02
345/1.1
8,922,457 B2 * 12/2014 Moscovitch G06F 1/1601
345/1.1
9,164,538 B2 * 10/2015 Moscovitch F16M 11/04
9,204,723 B2 * 12/2015 Floersch A47B 97/00
9,400,083 B2 * 7/2016 Sapper F16M 13/022
9,848,756 B2 * 12/2017 Kan A61B 1/00048

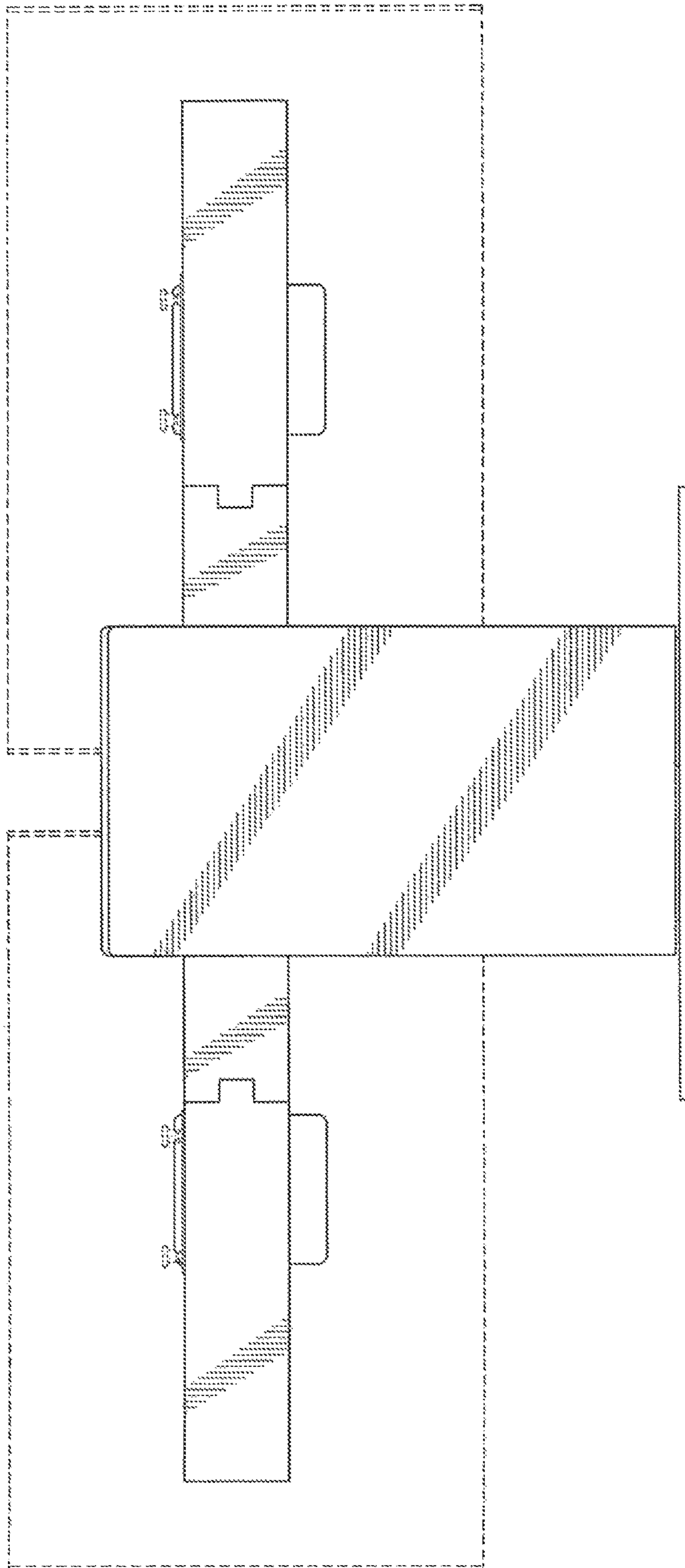
* cited by examiner



3.1



3.2



3.3

