



US00D880471S

(12) **United States Design Patent**
Yoo

(10) **Patent No.:** **US D880,471 S**

(45) **Date of Patent:** **** Apr. 7, 2020**

- (54) **STAND FOR MOBILE DEVICE**
- (71) Applicant: **Seung Won Yoo**, Chandler, AZ (US)
- (72) Inventor: **Seung Won Yoo**, Chandler, AZ (US)
- (**) Term: **15 Years**
- (21) Appl. No.: **29/671,849**
- (22) Filed: **Nov. 30, 2018**
- (51) **LOC (12) Cl.** **14-03**
- (52) **U.S. Cl.**
USPC **D14/253**; D6/675.1
- (58) **Field of Classification Search**
USPC D14/251–253, 447, 452; D12/415;
D3/218; D8/349, 363; D6/656.11,
D6/656.12, 656.13, 656.15, 656.16, 655,
D6/655.1, 675.1
CPC H04M 1/02; H04M 1/04; B60R 11/02;
F16M 11/00; F16M 11/04; F16M 11/06
See application file for complete search history.

(56) **References Cited**

U.S. PATENT DOCUMENTS

D236,045 S *	7/1975	Petrie	D6/656.11
D296,851 S *	7/1988	Kelley	D6/656.11
5,358,208 A *	10/1994	Moseley, III	A47B 21/0314 248/174
D415,635 S *	10/1999	Bengtsson	D6/656.15
D451,306 S *	12/2001	Dow	D6/675.1
D559,850 S *	1/2008	Lye	D14/447
D598,674 S *	8/2009	Frank	D6/675.1

D609,935 S *	2/2010	Sirotych	D6/655
D620,284 S *	7/2010	Zambelli	D6/675.1
D733,113 S *	6/2015	Krantz	D14/251
D771,616 S *	11/2016	Bo	D14/253
D781,865 S *	3/2017	Hsu	D14/447
D782,490 S *	3/2017	Lee	D14/447
D783,627 S *	4/2017	Hsu	D14/447
D834,860 S *	12/2018	McKenna	D6/694
D841,014 S *	2/2019	Laudadio	D14/447
D861,002 S *	9/2019	Bergeron-Mirsky	D14/447

* cited by examiner

Primary Examiner — Janice Hallmark

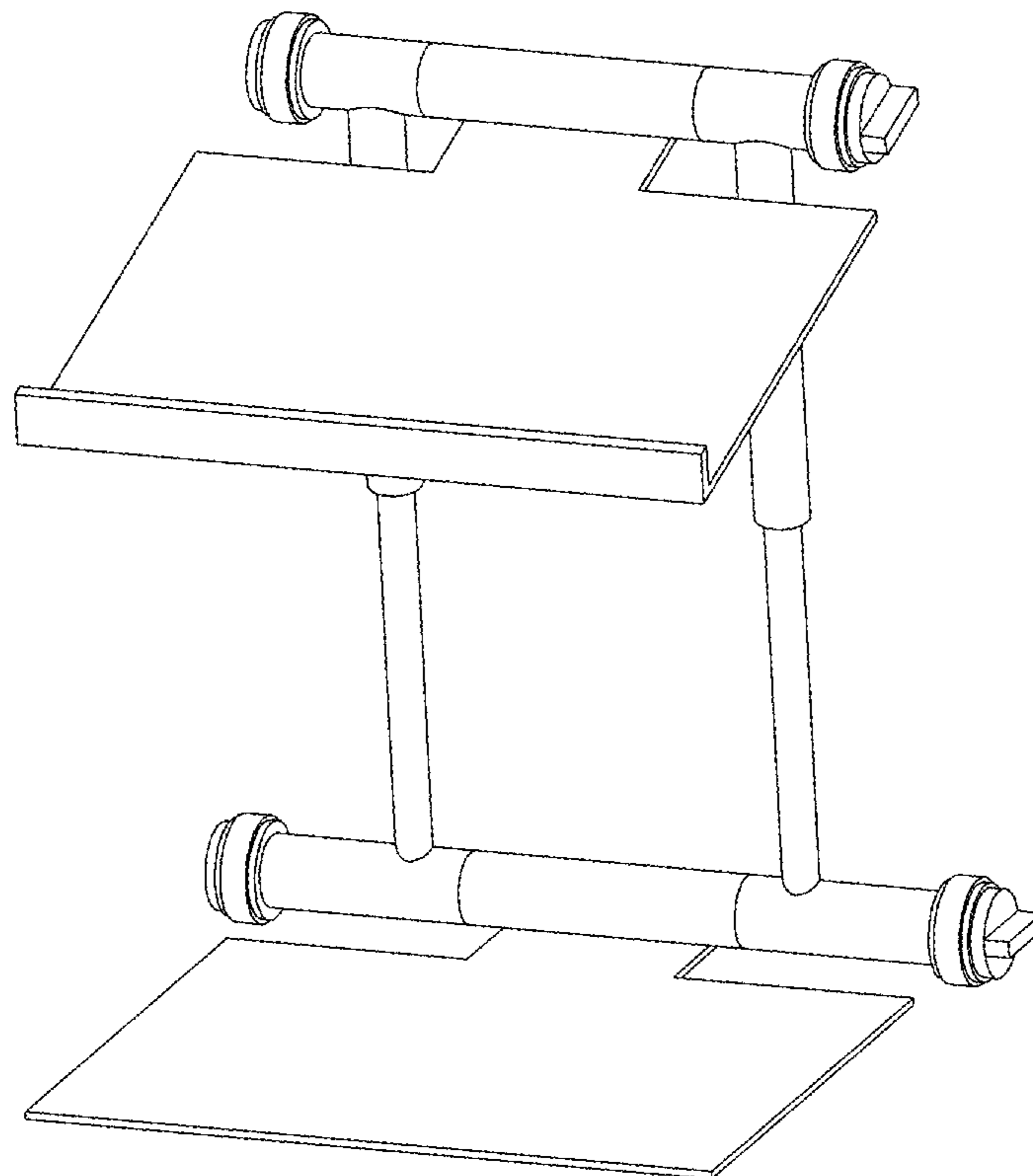
(57) **CLAIM**

The ornamental design for a stand for mobile device, as shown and described.

DESCRIPTION

FIG. 1 is a perspective view of a stand for mobile device according to the present invention;
 FIG. 2 is a front view of the stand for mobile device of FIG. 1;
 FIG. 3 is a rear view of the stand for mobile device of FIG. 1;
 FIG. 4 is a left side view of the mobile device holder for a music stand of FIG. 1;
 FIG. 5 is a right side view of the stand for mobile device of FIG. 1;
 FIG. 6 is top plan view of the stand for mobile device of FIG. 1; and,
 FIG. 7 is a bottom plan view of the stand for mobile device of FIG. 1.

1 Claim, 7 Drawing Sheets



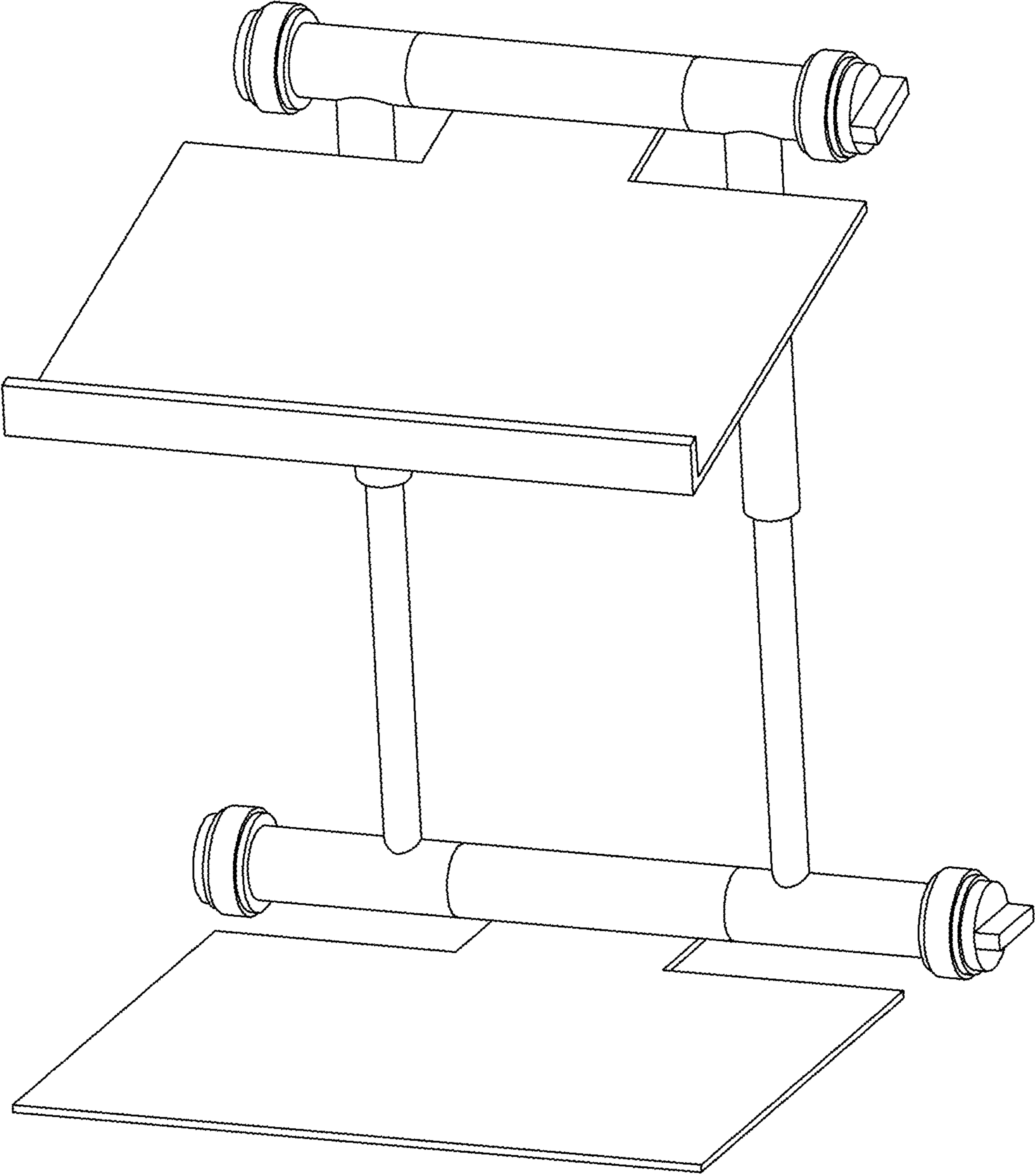


Fig. 1

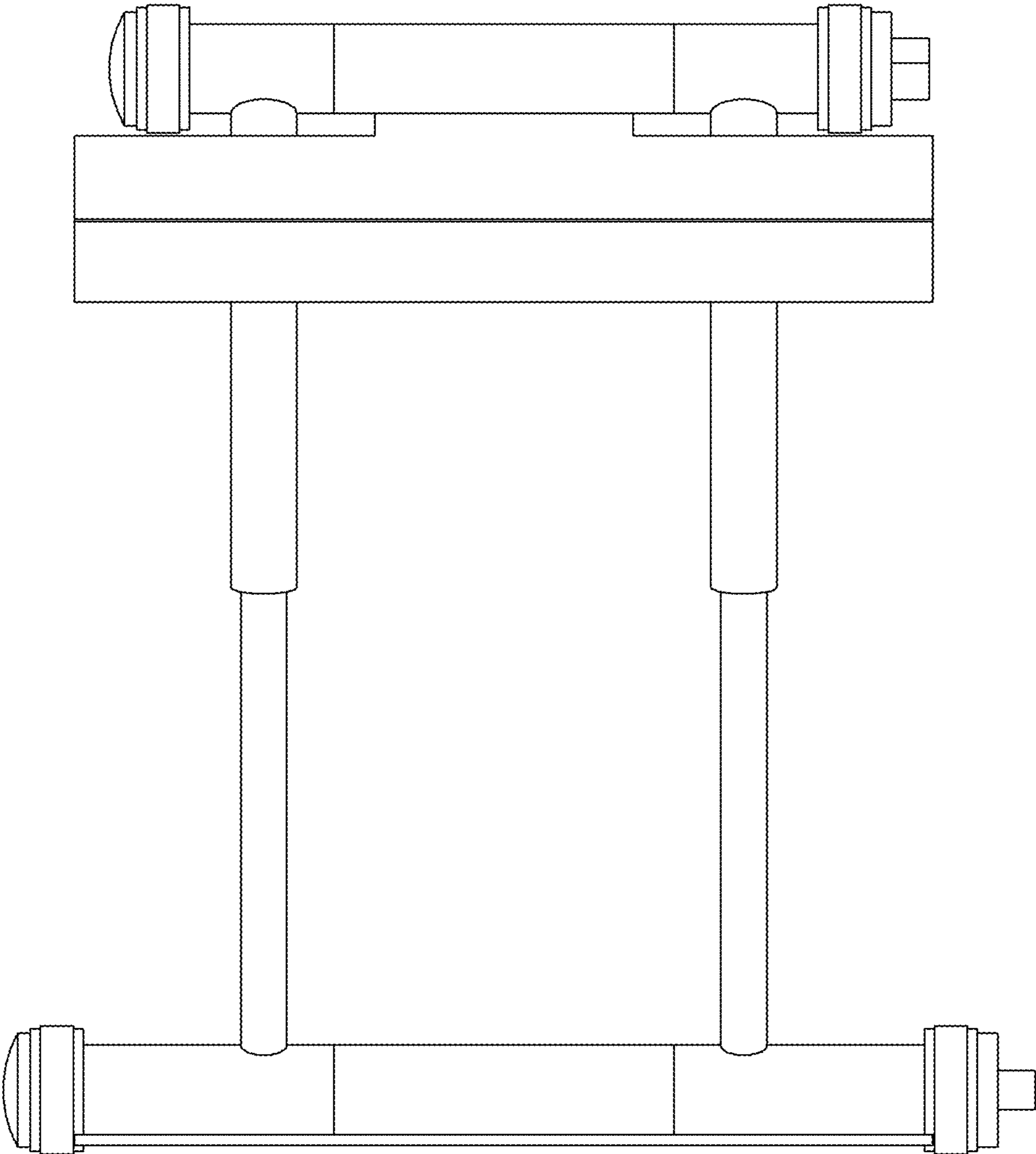


Fig. 2

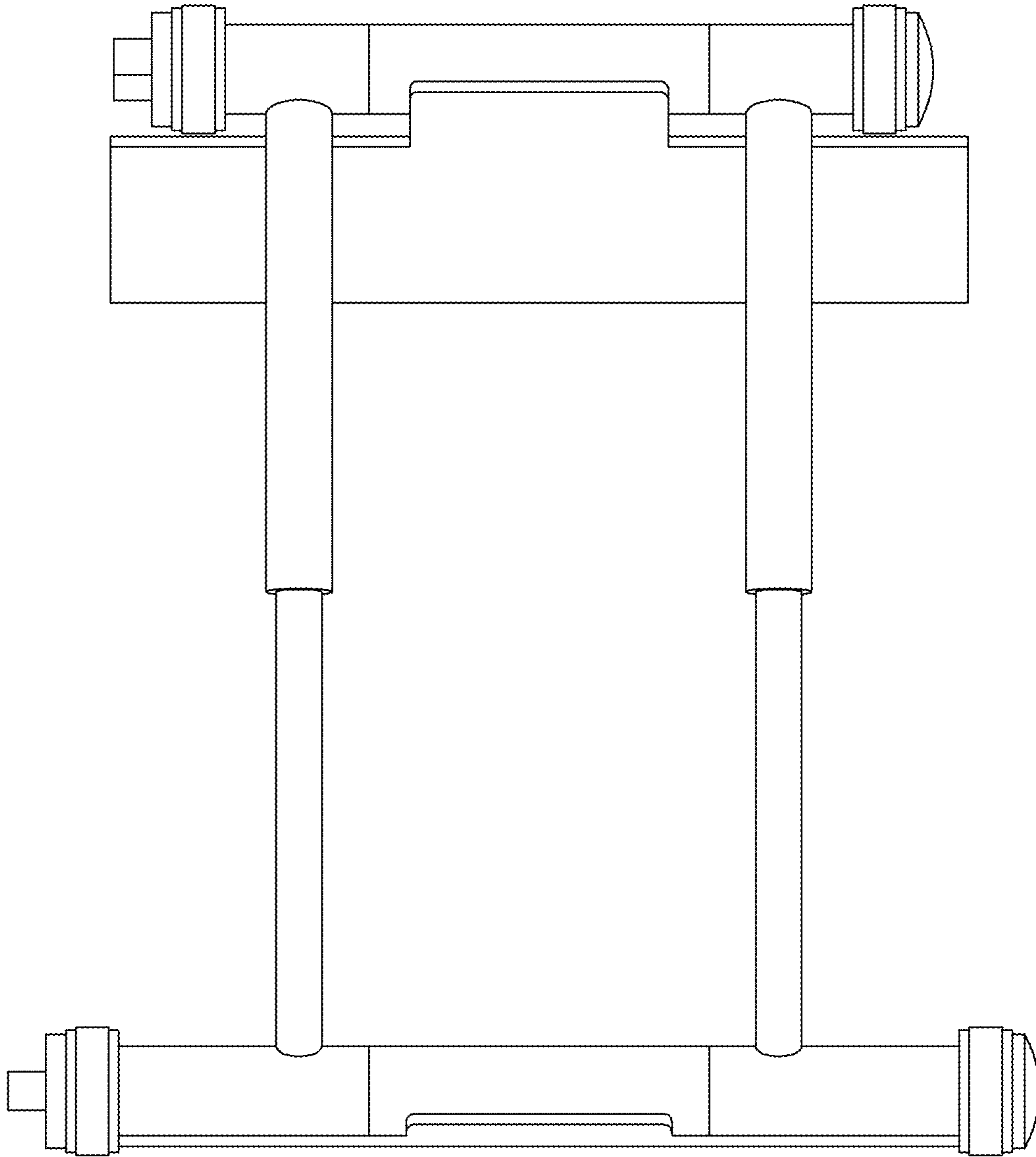


Fig. 3

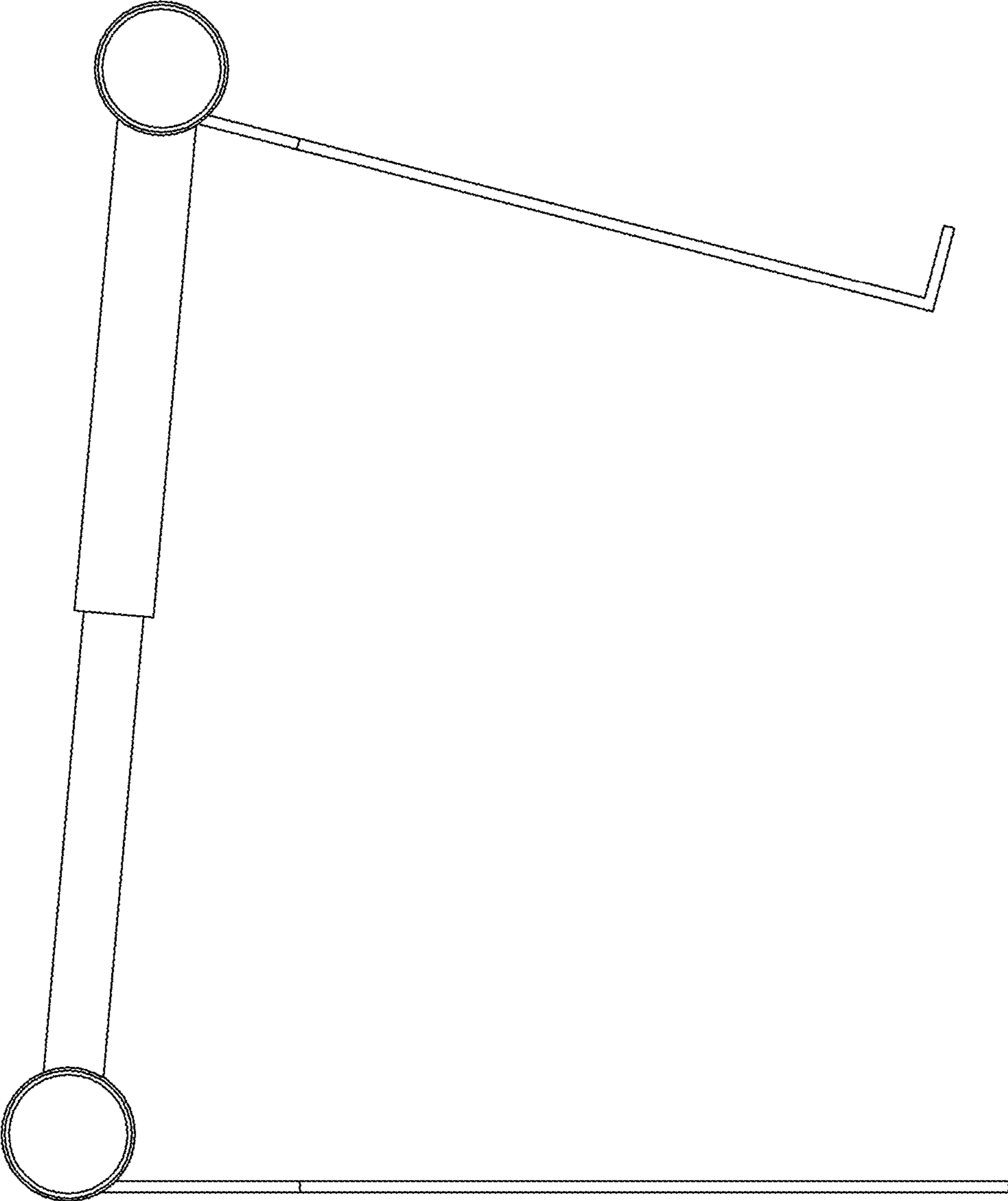


Fig. 4

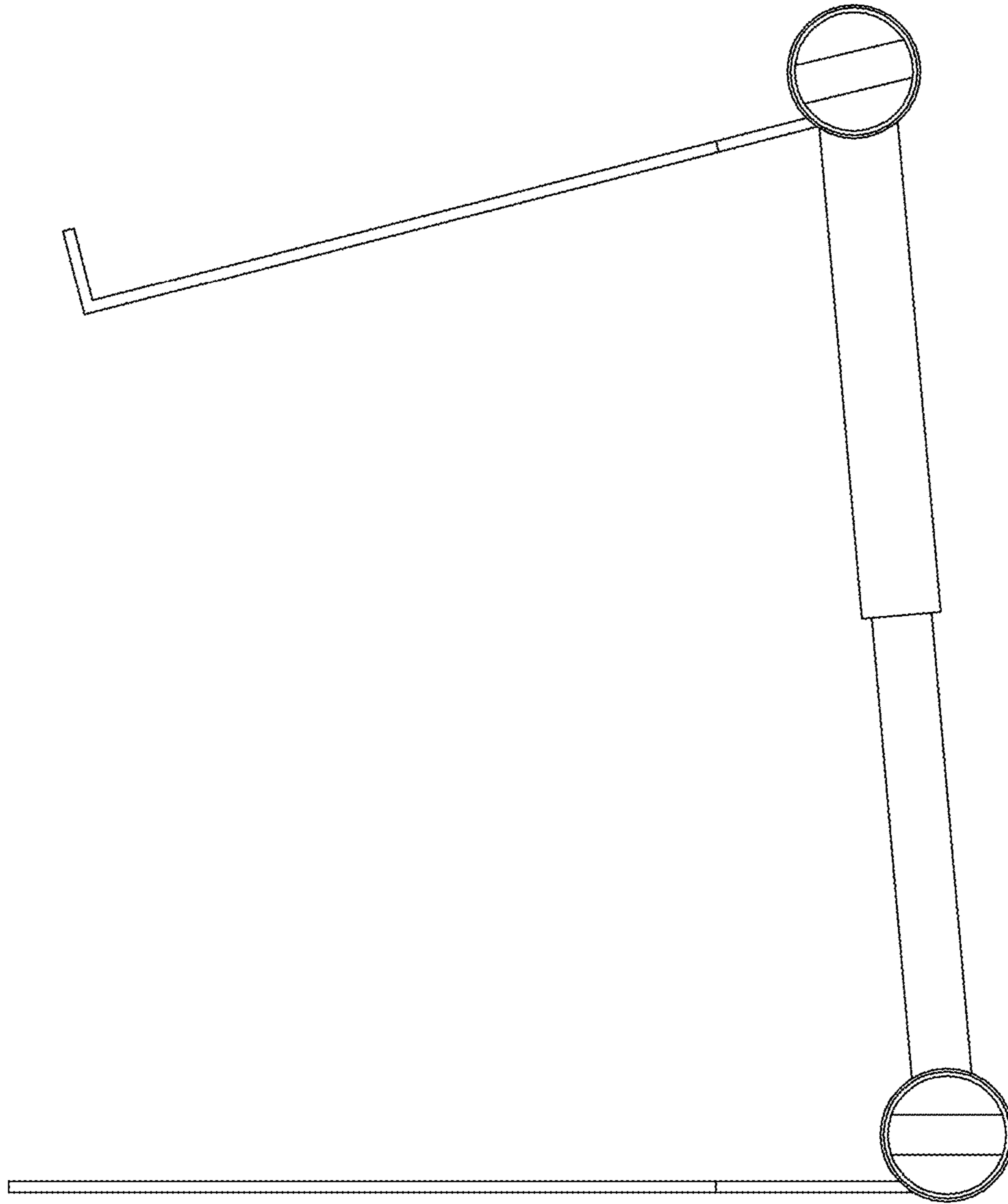


Fig. 5

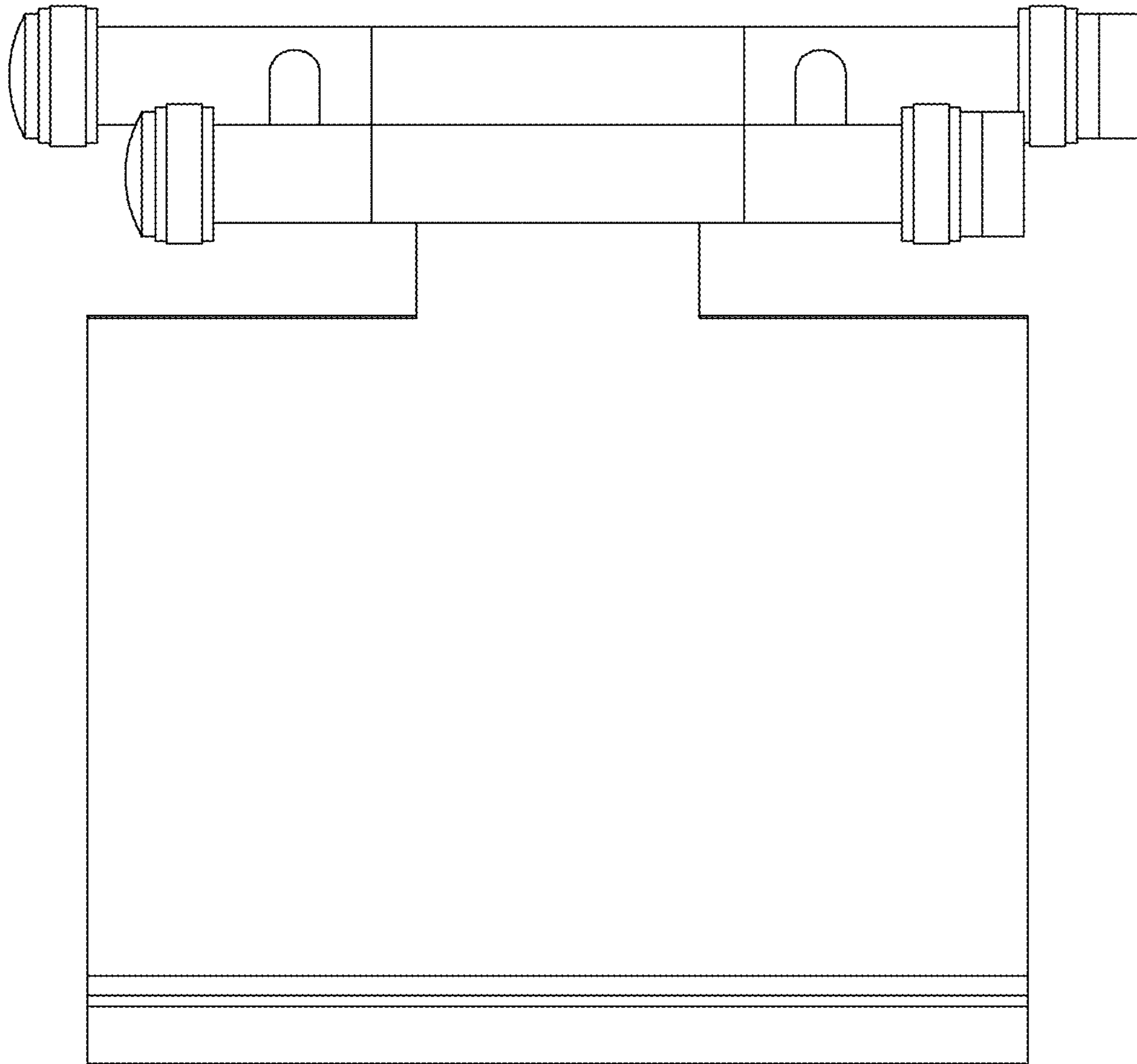


Fig. 6

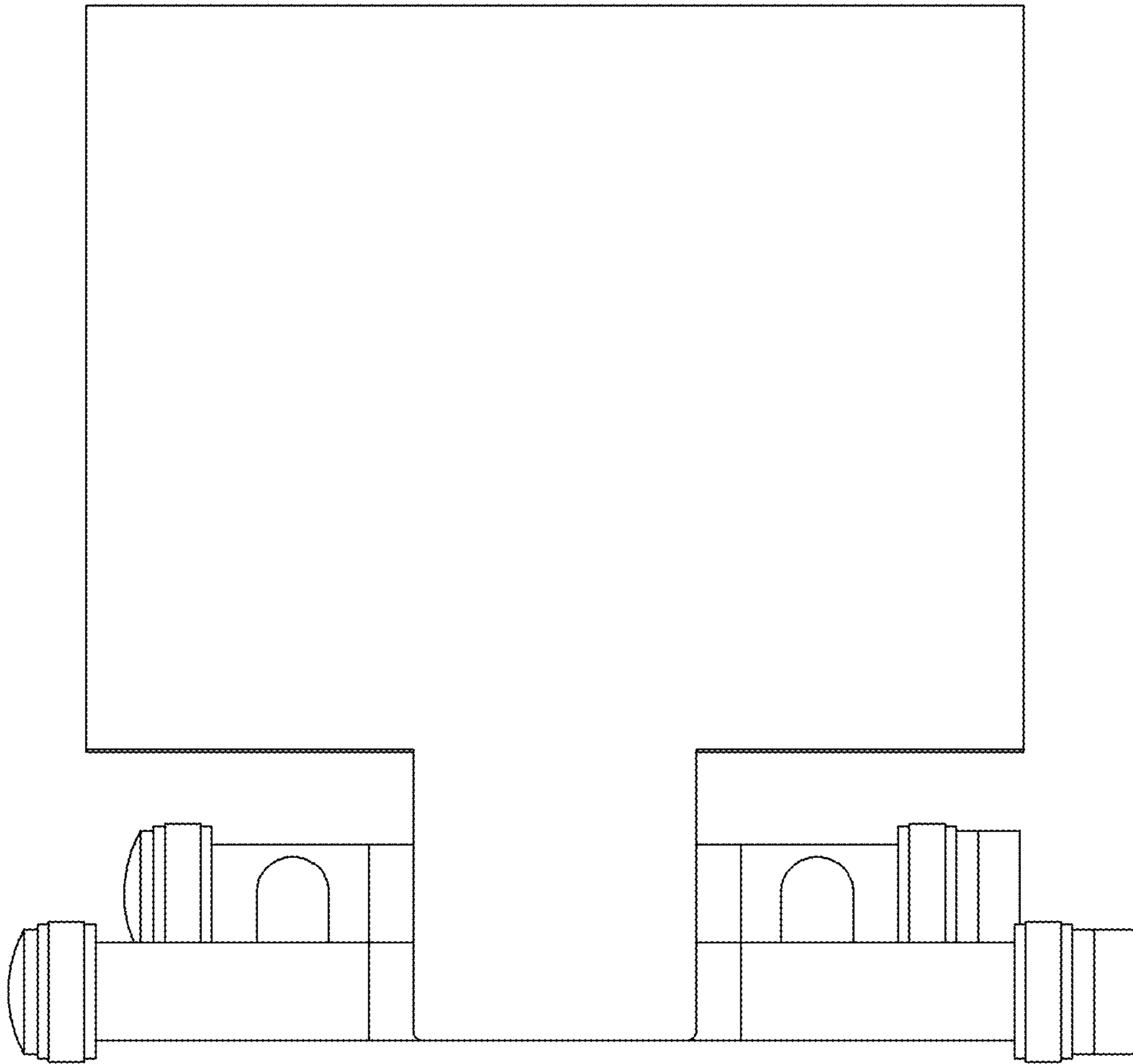


Fig. 7