



US00D880470S

(12) **United States Design Patent**
Lebovitz

(10) **Patent No.:** **US D880,470 S**

(45) **Date of Patent:** **** Apr. 7, 2020**

(54) **PHONE MOUNT WITH EXTENDER**

(71) Applicant: **Jon Bargains, Inc.**, Monroe, NY (US)

(72) Inventor: **Yona Lebovitz**, Monroe, NY (US)

(73) Assignee: **Jon Bargains, Inc.**, Monroe, NY (US)

(**) Term: **15 Years**

(21) Appl. No.: **29/671,597**

(22) Filed: **Nov. 28, 2018**

(51) **LOC (12) Cl.** **14-03**

(52) **U.S. Cl.**
USPC **D14/253**

(58) **Field of Classification Search**
USPC D14/251-253, 440, 447; D12/415;
D8/354

CPC F16M 13/00; F16M 2200/00
See application file for complete search history.

(56) **References Cited**

U.S. PATENT DOCUMENTS

D588,903 S *	3/2009	Carnevali	D8/355
D625,626 S *	10/2010	Riddiford	D10/65
D659,571 S *	5/2012	Hoggarth	D10/74
D722,540 S *	2/2015	Brunner	D12/114

D730,887 S *	6/2015	Lindemann	D14/253
D790,375 S *	6/2017	Lenz	D10/74
D838,267 S *	1/2019	Zhang	D14/253
D852,116 S *	6/2019	Jun	D12/415
D855,552 S *	8/2019	Chen	D12/415
D862,453 S *	10/2019	Liang	D14/253

* cited by examiner

Primary Examiner — Janice Hallmark

(74) *Attorney, Agent, or Firm* — Amster, Rothstein & Ebenstein LLP

(57) **CLAIM**

The ornamental design for a phone mount with extender, as shown and described.

DESCRIPTION

FIG. 1 is a top perspective view of a phone mount with extender;

FIG. 2 is a top view thereof

FIG. 3 is a bottom view thereof;

FIG. 4 is a right side view thereof;

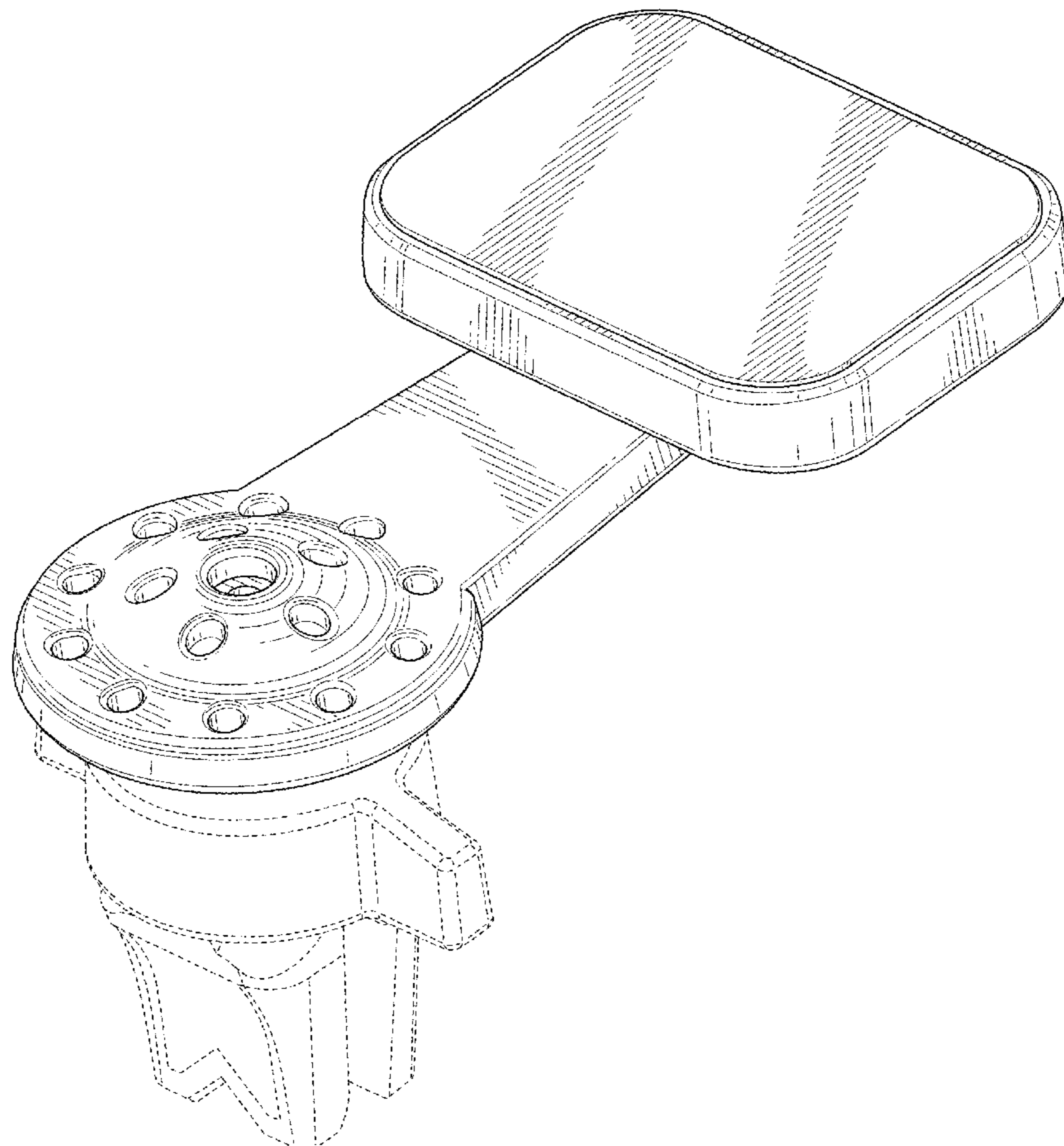
FIG. 5 is a left side thereof;

FIG. 6 is a front view thereof; and,

FIG. 7 is a rear view thereof.

The portions of the design shown in broken lines being for the purpose of illustrating environment only and form no part of the claimed design.

1 Claim, 5 Drawing Sheets



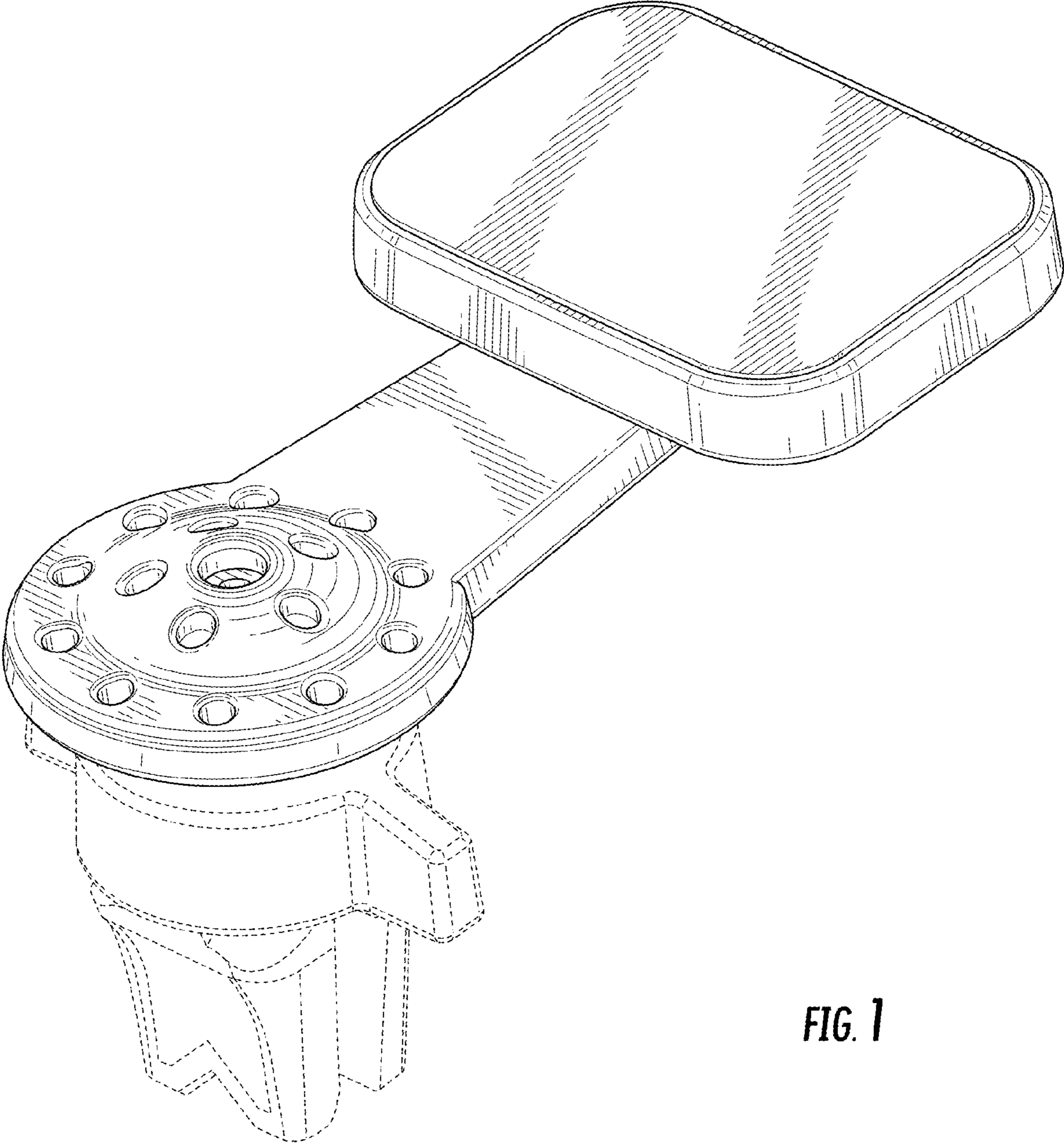


FIG. 1

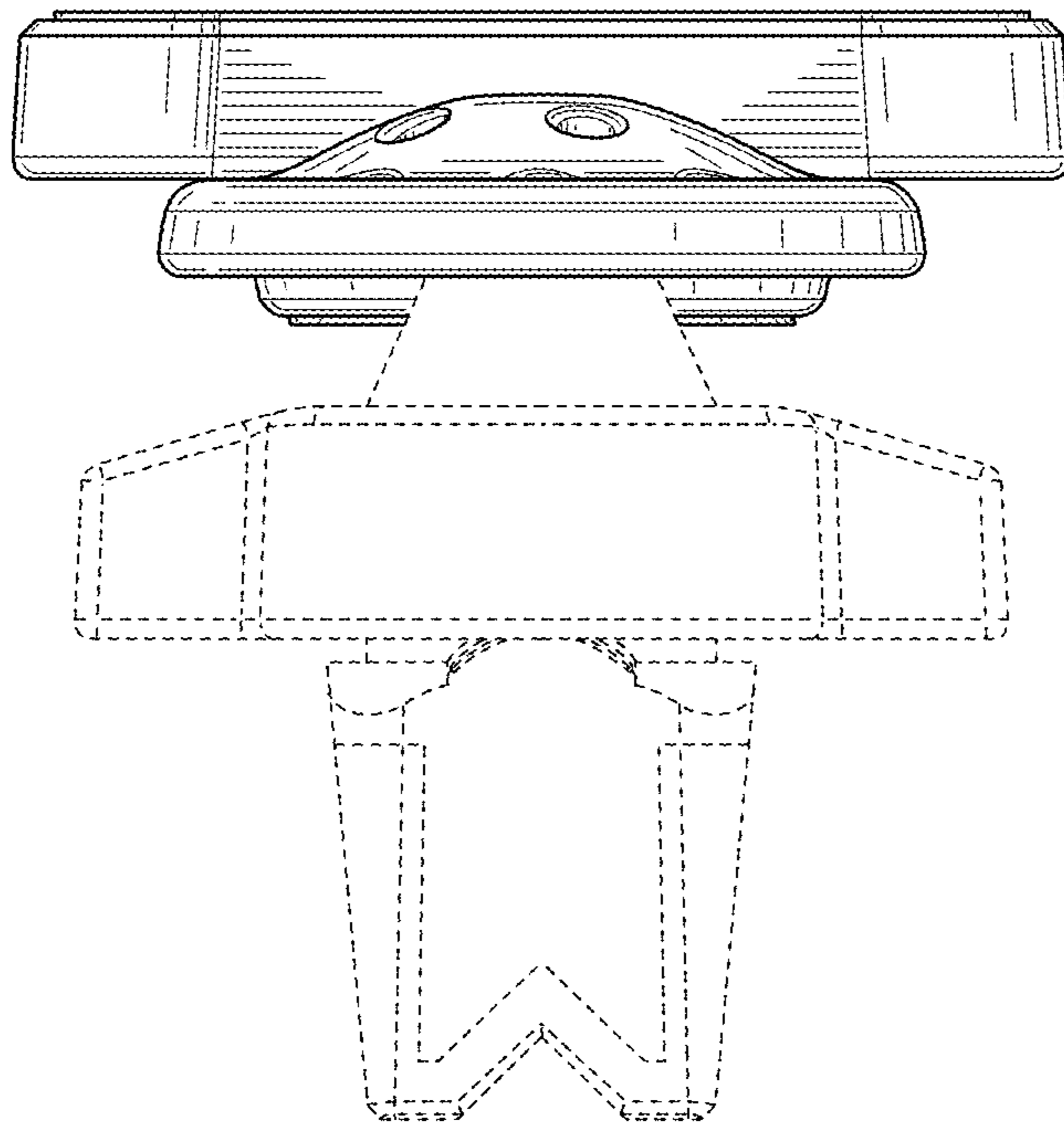


FIG. 2

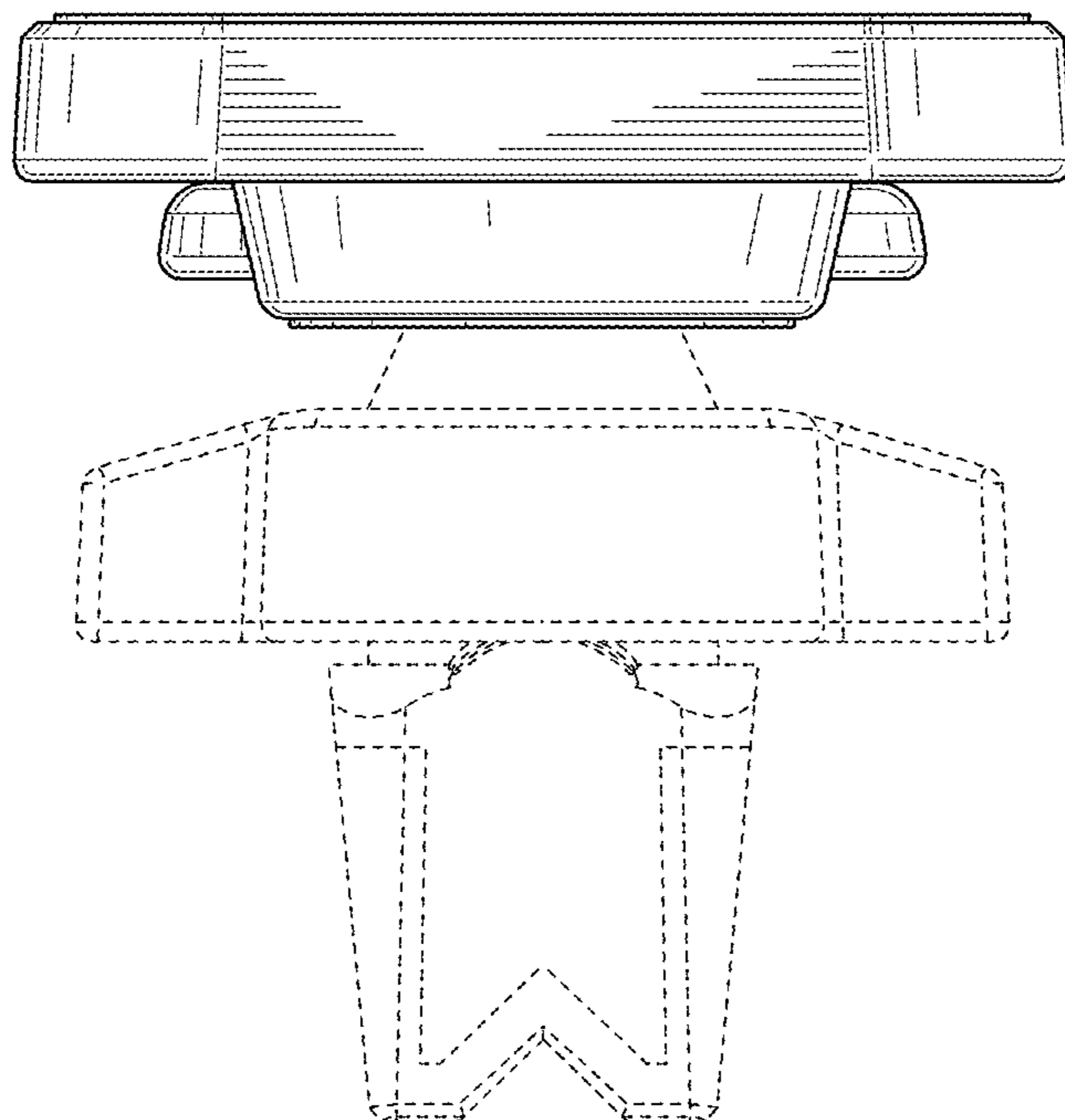


FIG. 3

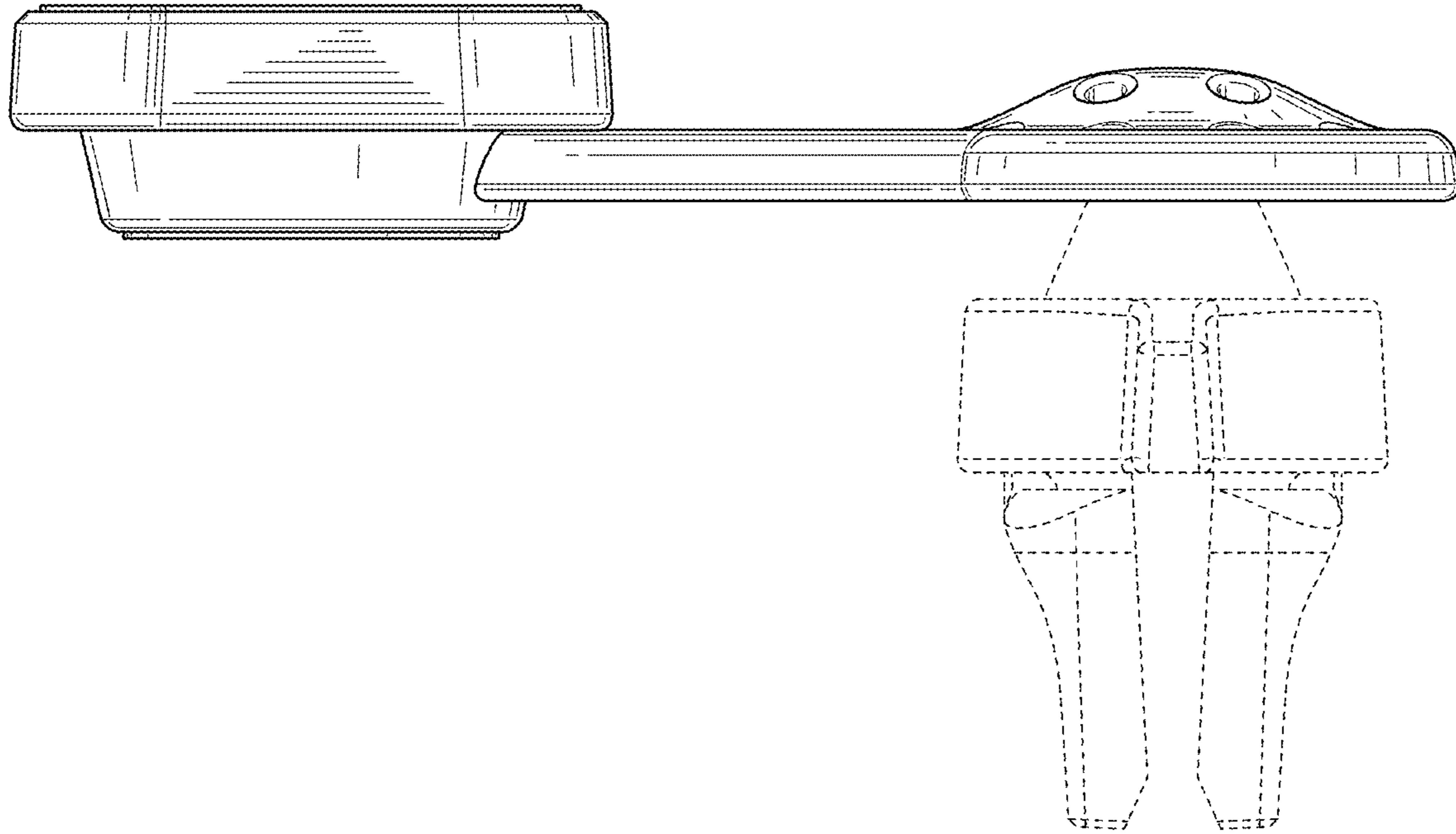


FIG. 4

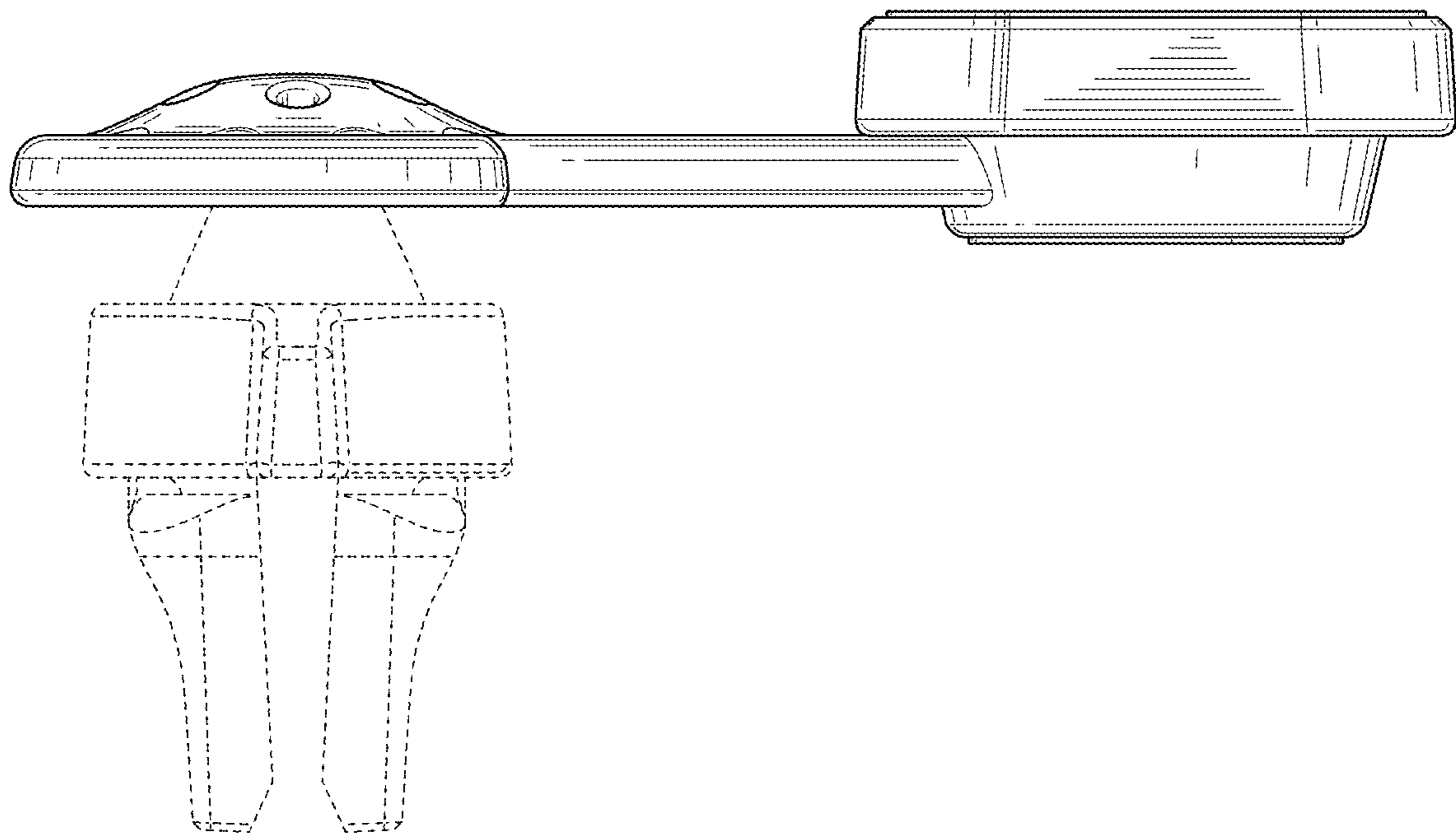


FIG. 5

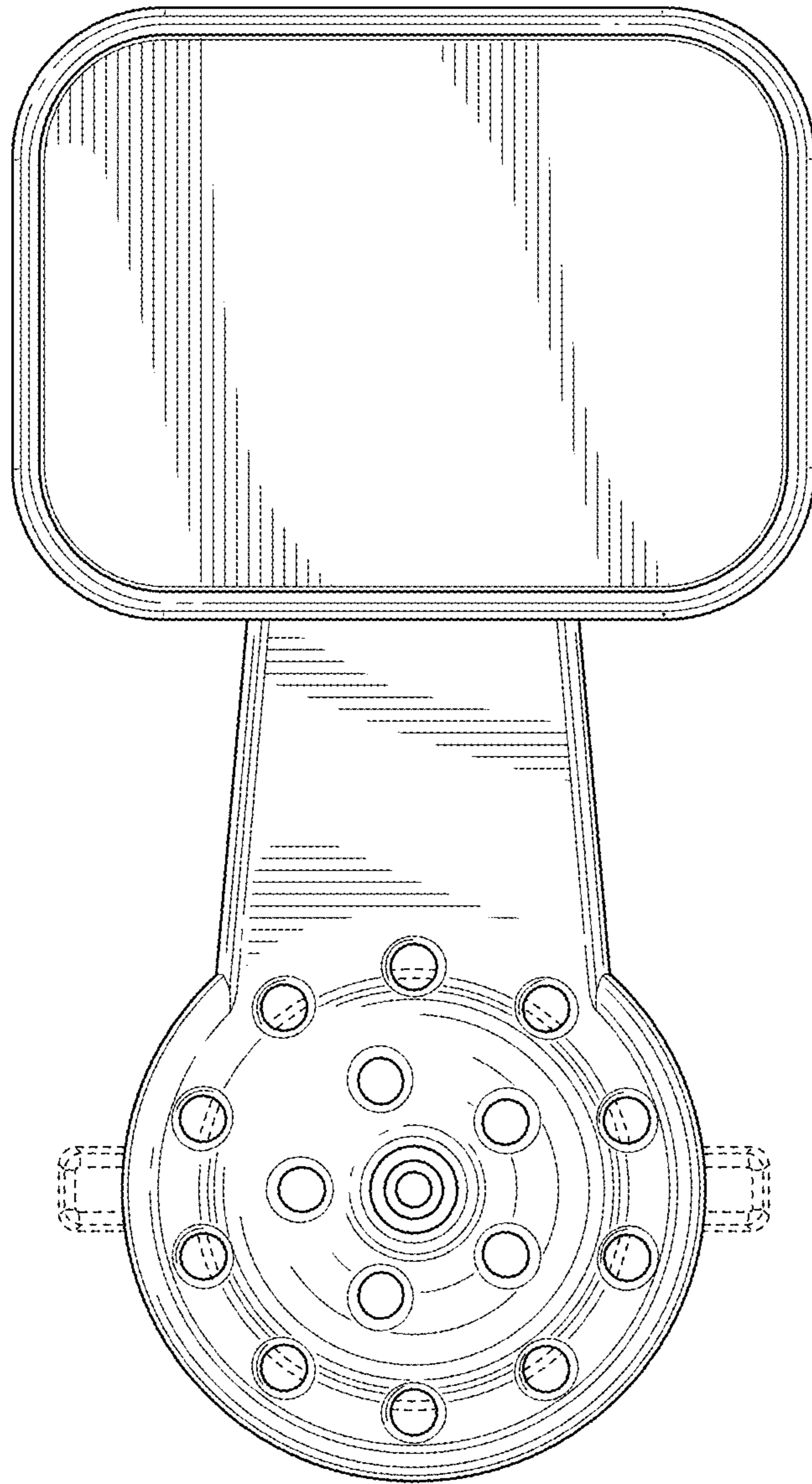


FIG. 6

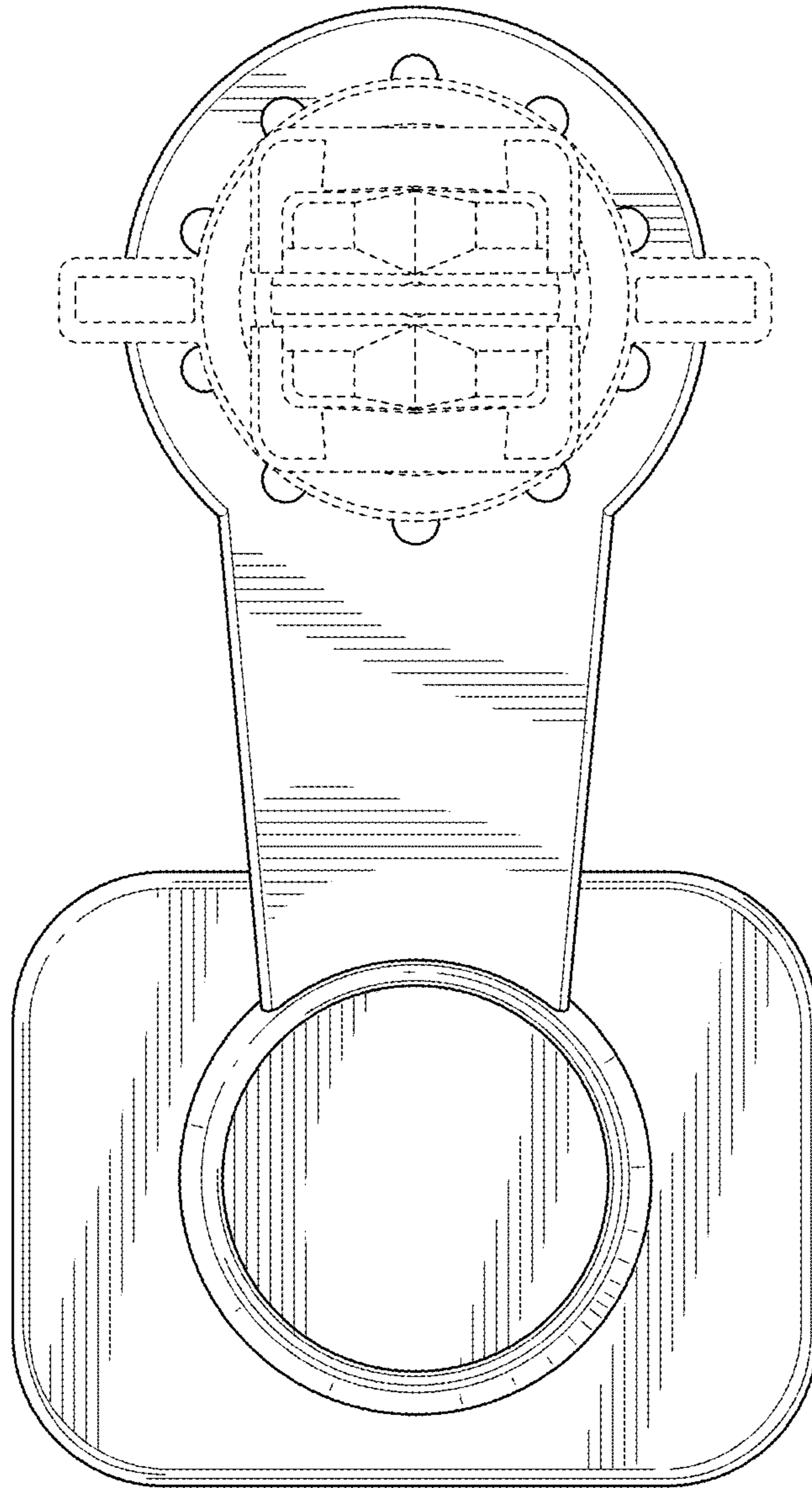


FIG. 7