



US00D880468S

(12) **United States Design Patent** (10) **Patent No.:** **US D880,468 S**
Lee (45) **Date of Patent:** **** Apr. 7, 2020**

(54) CASE FOR ELECTRONIC COMMUNICATIONS DEVICE	8,517,172 B1	8/2013	Chang	
	8,522,965 B1 *	9/2013	Hsiung	H04B 1/3888 206/320
(71) Applicant: SPIGEN KOREA CO., LTD. , Seoul (KR)	D704,688 S	5/2014	Reivo	
	D714,274 S	9/2014	Jung	
	D717,286 S *	11/2014	Veldkamp	D14/250
	D717,774 S	11/2014	Fathollahi	
(72) Inventor: Bum Joon Lee , Seoul (KR)	D717,778 S	11/2014	Zermeno	
	D723,531 S	3/2015	Katzke	
(73) Assignee: SPIGEN KOREA CO., LTD. , Seoul (KR)	D741,845 S	10/2015	Kim	
	D744,480 S	12/2015	Kim	
	D746,275 S	12/2015	Mohammad	
(**) Term: 15 Years	D748,614 S	2/2016	Ju	
	D749,068 S	2/2016	Zaborski et al.	
	D749,555 S	2/2016	Poon et al.	
(21) Appl. No.: 29/658,809	D750,610 S	3/2016	Chen	
	9,295,174 B2	3/2016	Witter et al.	
(22) Filed: Aug. 2, 2018	D753,641 S	4/2016	Roberts et al.	
	D754,652 S	4/2016	Roberts et al.	
	D756,340 S	5/2016	Babichenko	
	D756,343 S	5/2016	Wall et al.	
	D756,344 S	5/2016	Roberts et al.	
	D756,911 S	5/2016	Gupta et al.	
	D757,702 S	5/2016	Kanazawa	
	D757,703 S	5/2016	Kanazawa	
	D761,239 S	7/2016	Kim	
	D763,842 S	8/2016	Chang et al.	
	D764,476 S *	8/2016	Gleason, III	D14/440
	D765,632 S	9/2016	Northrup et al.	
	D765,644 S	9/2016	Witter et al.	
	D766,819 S	9/2016	Gjovik et al.	
	D767,553 S	9/2016	Fathollahi	
	9,451,066 B1	9/2016	Jia	
	D771,619 S	11/2016	Akana et al.	
	D774,498 S	12/2016	Tao et al.	
	D776,104 S	1/2017	Tien	
	D778,275 S *	2/2017	Gabriel	D14/250
	D781,835 S	3/2017	Kim et al.	
	D781,836 S	3/2017	Kim et al.	
	D781,838 S *	3/2017	Kim	D14/250
	D781,839 S	3/2017	Kim et al.	
	D781,840 S	3/2017	Kim et al.	
	9,661,116 B1	5/2017	Chung	
	D803,206 S *	11/2017	Kim	D14/250
	D822,653 S *	7/2018	Kim	D14/250
	D824,376 S *	7/2018	Lee	D14/250
	D824,377 S *	7/2018	Kim	D14/250
	D827,627 S *	9/2018	Lee	D14/250
	D830,352 S *	10/2018	Chung	D14/250
	D836,095 S *	12/2018	Kim	D14/250
	D836,621 S *	12/2018	Yun	D14/250
	D837,771 S *	1/2019	Yun	D14/250
	2012/0018323 A1	1/2012	Johnson	

Related U.S. Application Data

(63) Continuation of application No. 29/573,515, filed on Aug. 5, 2016, now Pat. No. Des. 827,627.

(51) **LOC (12) Cl.** **14-03**

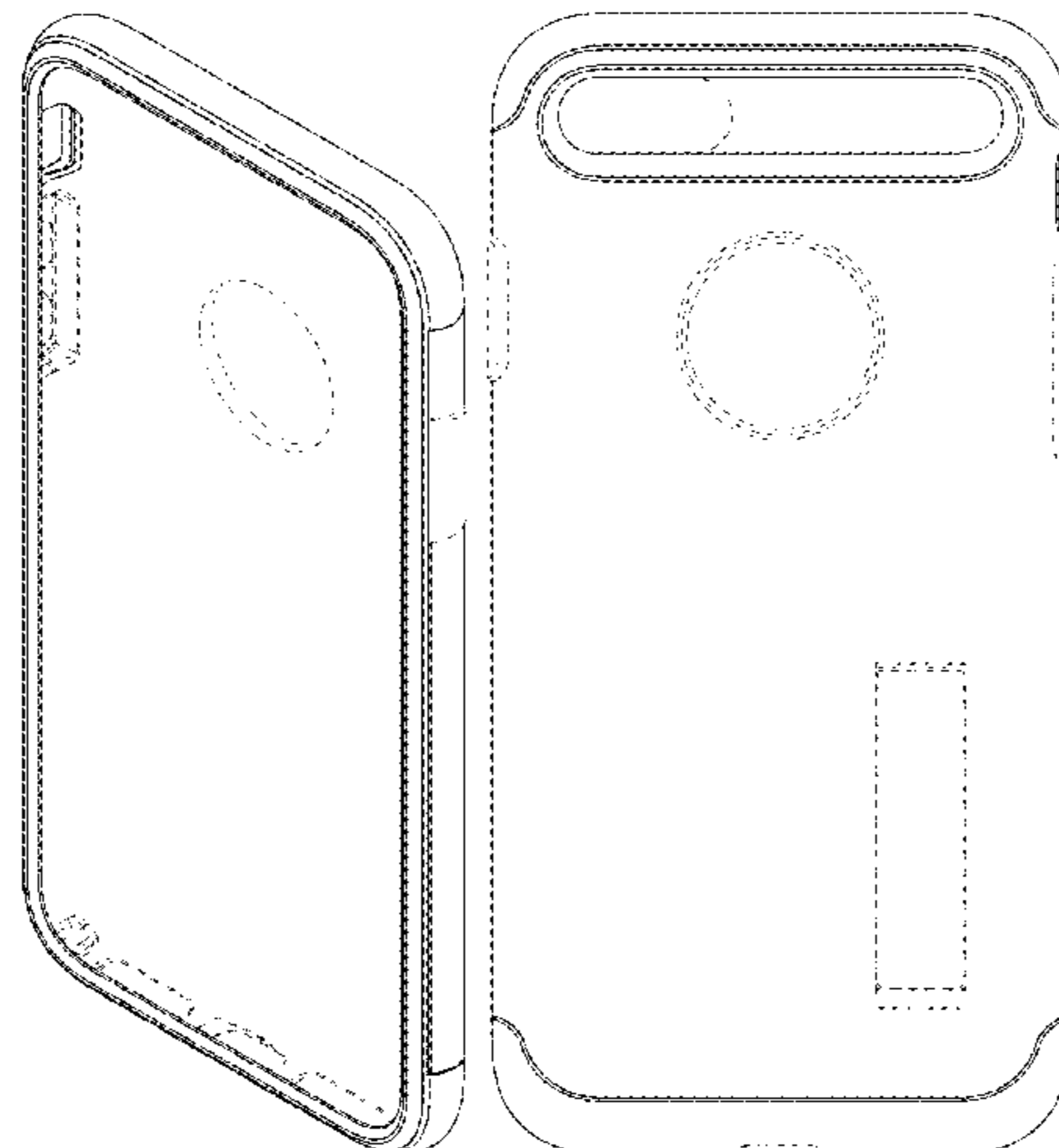
(52) **U.S. Cl.**
USPC **D14/250**

(58) **Field of Classification Search**
USPC D14/439, 203.3-203.7, 447, 238.1, D14/251-253, 217, 240, 250, 440, 248; D3/201, 218, 247, 269, 273, 301, 303; D13/107-108, 103, 119
CPC H04B 1/3888; H04M 1/0283; H04M 1/0202; A45C 1/06; A45C 11/00; A45C 13/02; A45C 2011/002; A45F 2005/026; A45F 2200/0525; A45F 2200/0516
See application file for complete search history.

(56) **References Cited**

U.S. PATENT DOCUMENTS

D625,303 S	10/2010	Kim	
D632,685 S	2/2011	Richardson	
D643,029 S	8/2011	Feng	
D663,263 S *	7/2012	Gupta	D13/103
D673,547 S	1/2013	Melanson	
D676,844 S	2/2013	Weller	
D681,022 S	4/2013	Chang	
D684,961 S *	6/2013	Murchison	D14/250



2016/0113368	A1*	4/2016	Tu	H04B 1/3888 206/45.23
2016/0204817	A1*	7/2016	Kim	H04B 1/3888 455/575.8
2016/0285301	A1*	9/2016	Kim	H02J 7/025
2016/0374443	A1*	12/2016	Kim	A45C 11/182 206/38
2017/0086557	A1*	3/2017	Choi	A45C 15/00
2018/0191395	A1*	7/2018	Chung	H04B 1/3888

OTHER PUBLICATIONS

“Spigen Slim Armor iPhone DE / 5S / 5 Case with Advanced Drop Protection and Dual Layer Design for iPhone SE / iPhone 5S / iPhone 5—Metal Slate”, <https://www.amazon.com/dp/B00DD62R40>, Earliest review date of Dec. 14, 2012, Downloaded on Sep. 18, 2018.

“Spigen Slim Armor View Galaxy S4 Case with Automatic Sleep / Wake Feature for Galaxy S4 2013—Soul Black”, <https://www.amazon.com/dp/B00DCCVS5Y>, Earliest review date of Mar. 18, 2013, Downloaded on Feb. 19, 2019.

“Spigen Slim Armor Nexus 5 Case with Air Cushion Technology and Hybrid Drop Protection for Nexus 5 2013—Infinity White”, <https://www.amazon.com/dp/B00EV8Y7XI>, Earliest review date of Nov. 4, 2013, Downloaded on Jan. 16, 2019.

“Spigen Slim Armor View Galaxy S5 Case with Automatic Sleep / Wake Feature for Samsung Galaxy S5 2014—View Smooth White”, <https://www.amazon.com/dp/B00KGG02EI>, Earliest review date of Jan. 18, 2014, Downloaded on Jan. 16, 2019.

“Spigen Slim Armor Galaxy S5 Case with Air Cushion Technology and Hybrid Drop Protection for Samsung Galaxy S5 2014—Metal Slate”, <https://www.amazon.com/dp/B00I3UWD7C>, Earliest review date of Apr. 11, 2014, Downloaded on Sep. 18, 2018.

“Spigen Slim Armor LG G3 Case with Air Cushion Technology and Hybrid Drop Protection for LG G3 2014—Metal Slate”, <https://www.amazon.com/dp/B00JQI2G5O>, Earliest review date of Jul. 9, 2014, Downloaded on Jan. 16, 2019.

“Spigen Slim Armor iPhone 6 Case with Air Cushion Technology and Hybrid Drop Protection for iPhone 6 2014—Gunmetal”, <https://www.amazon.com/dp/B00JH88GB6>, Earliest review date of Aug. 13, 2014, Downloaded on Sep. 18, 2018.

“Spigen Slim Armor iPhone 6 Case with Air Cushion Technology and Hybrid Drop Protection for iPhone 6S Plus / iPhone 6 Plus—Shimmery White”, <https://www.amazon.com/dp/B00JH83C6U>, Earliest review date of Sep. 12, 2014, Downloaded on Sep. 18, 2018.

“Spigen Slim Armor Galaxy Note 4 Case with Air Cushion Technology and Hybrid Drop Protection for Samsung Galaxy Note 4 2014—Shimmery White”, <https://www.amazon.com/dp/B00MAWQPJQ>, Earliest review date of Oct. 7, 2014, Downloaded on Jul. 30, 2018.

“Spigen Slim Armor Galaxy S6 Case with Air Cushion Technology and Kickstand for Galaxy S6 2015—Shimmery White”, <https://www.amazon.com/dp/B00QU4NQMY>, Earliest review date of Mar. 21, 2015, Downloaded on Sep. 18, 2018.

“Spigen Slim Armor HTC One M9 Case with Kickstand and Air Cushion Technology Hybrid Drop Protection for HTC One M9 2015—Metal Slate”, <https://www.amazon.com/dp/B00SNOTASI>, Earliest review date of Mar. 31, 2015, Downloaded on Jan. 16, 2019.

“Spigen Slim Armor Galaxy S6 Edge Case with Air Cushion Technology and Hybrid Drop Protection for Galaxy S6 Edge 2015—Gunmetal”, <https://www.amazon.com/dp/B00SV638ZE>, Earliest review date of Apr. 3, 2015, Downloaded on Sep. 18, 2018.

“Lunatik SMK5-001 Seismik Touch Suspension Frame for iPhone 5 / iPhone 5S—Retail Packaging—Black/Smoke”, <https://www.amazon.com/dp/B00BF780QS>, Earliest review date of Oct. 5, 2013, Downloaded on Jun. 13, 2016.

* cited by examiner

Primary Examiner — Carla J Wright

(74) Attorney, Agent, or Firm — Heedong Chae; Lucem, PC

(57)

CLAIM

The ornamental design for a case for electronic communications device, as shown and described.

DESCRIPTION

FIG. 1 is a front perspective view of a case for electronic communications device showing my new design;

FIG. 2 is a rear perspective view thereof;

FIG. 3 is a front elevational view thereof;

FIG. 4 is a rear elevational view thereof;

FIG. 5 is a left side elevational view thereof;

FIG. 6 is a right side elevational view thereof;

FIG. 7 is a top plan view thereof;

FIG. 8 is a bottom plan view thereof;

FIG. 9 is an exploded front perspective view of the case for electronic communications device with the components of the case shown separated for clarity of disclosure;

FIG. 10 is an exploded rear perspective view of the case for electronic communications device with the components of the case shown separated for clarity of disclosure;

FIG. 11 is a front perspective view of the inner shell component of the case shown separately for clarity of disclosure;

FIG. 12 is a rear perspective view of the inner shell component of the case shown separately for clarity of disclosure;

FIG. 13 is a front perspective view of the outer frame component of the case shown separately for clarity of disclosure; and,

FIG. 14 is a rear perspective view of the outer frame component of the case shown separately for clarity of disclosure.

For clarity of disclosure, the components of the case are shown in isolation in FIGS. 11-14 and separated in FIGS. 9-10. Although the case for electronic communications device, in which the claimed design is embodied, consists of an inner shell component and an outer frame component, the claim is directed to the overall ornamental appearance of the case for electronic communications device in its entirety and does not extend to the ornamental appearance of each of the individual components.

The broken lines throughout the drawing figures depict portions of the case that form no part of the claimed design. Except for the thickness of material and edge surfaces of the side opening, the interior of the case shown in FIGS. 1, 3, 9, and 11 forms no part of the claimed design. The broken lines and regions bounded by broken lines form no part of the claimed design.

1 Claim, 14 Drawing Sheets

FIG. 1

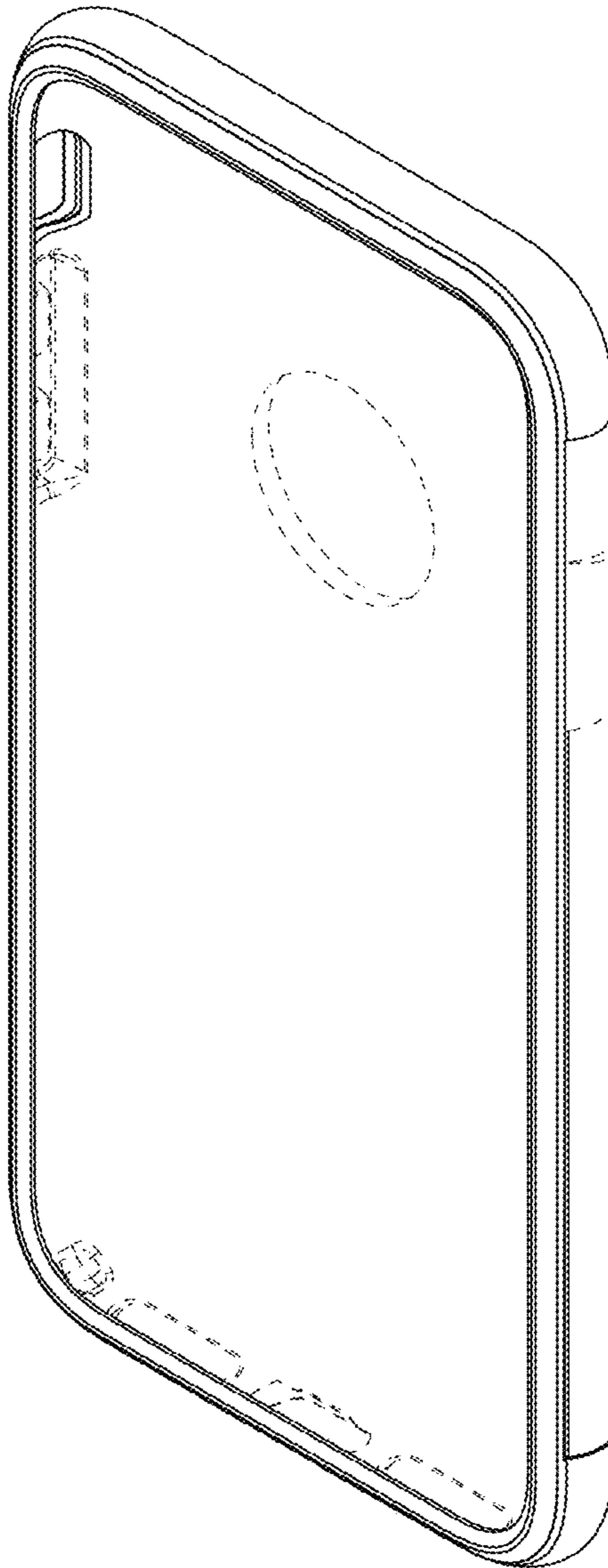


FIG. 2

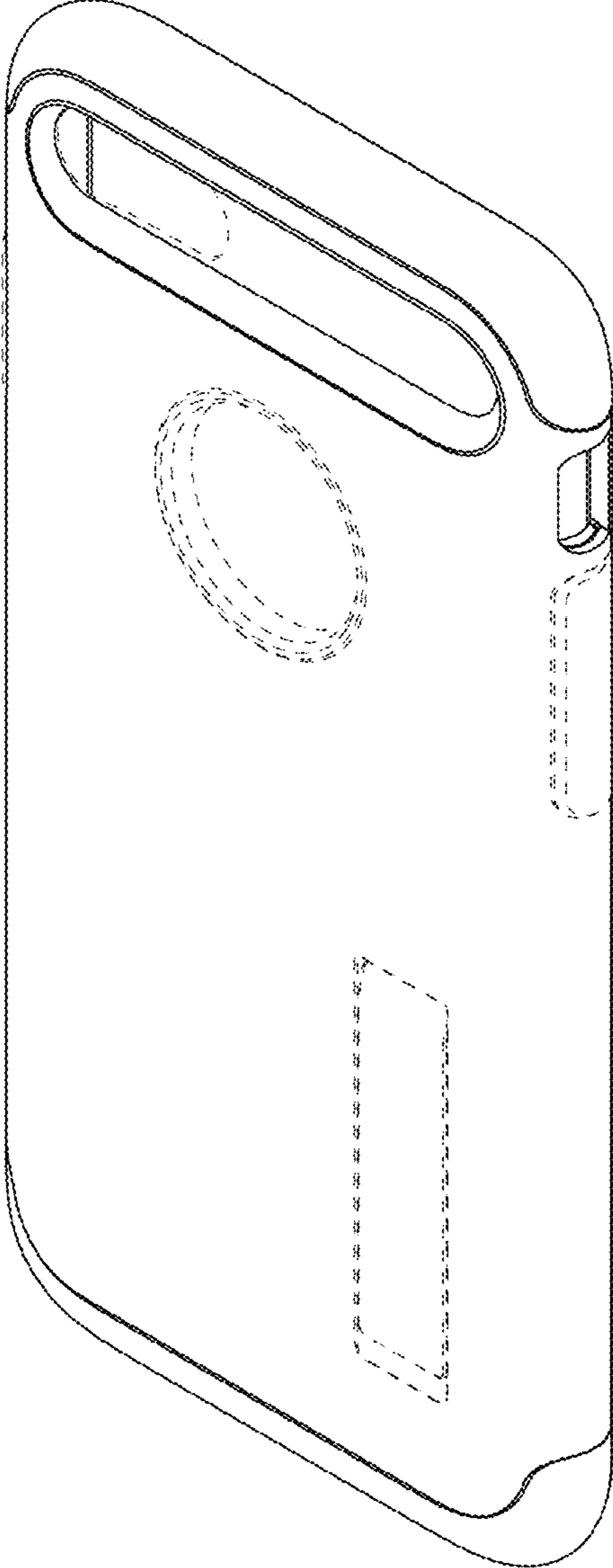


FIG. 3

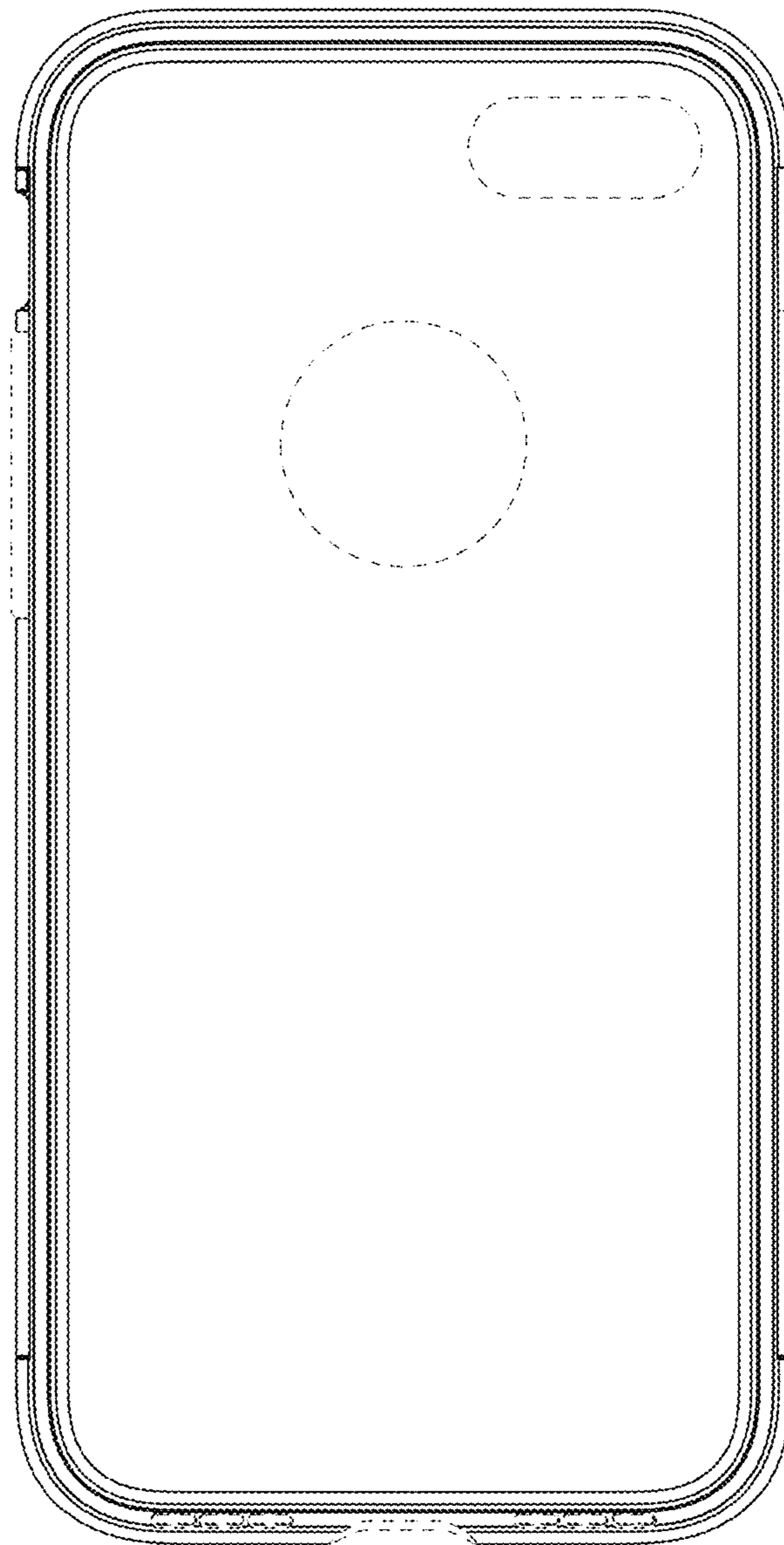


FIG. 4

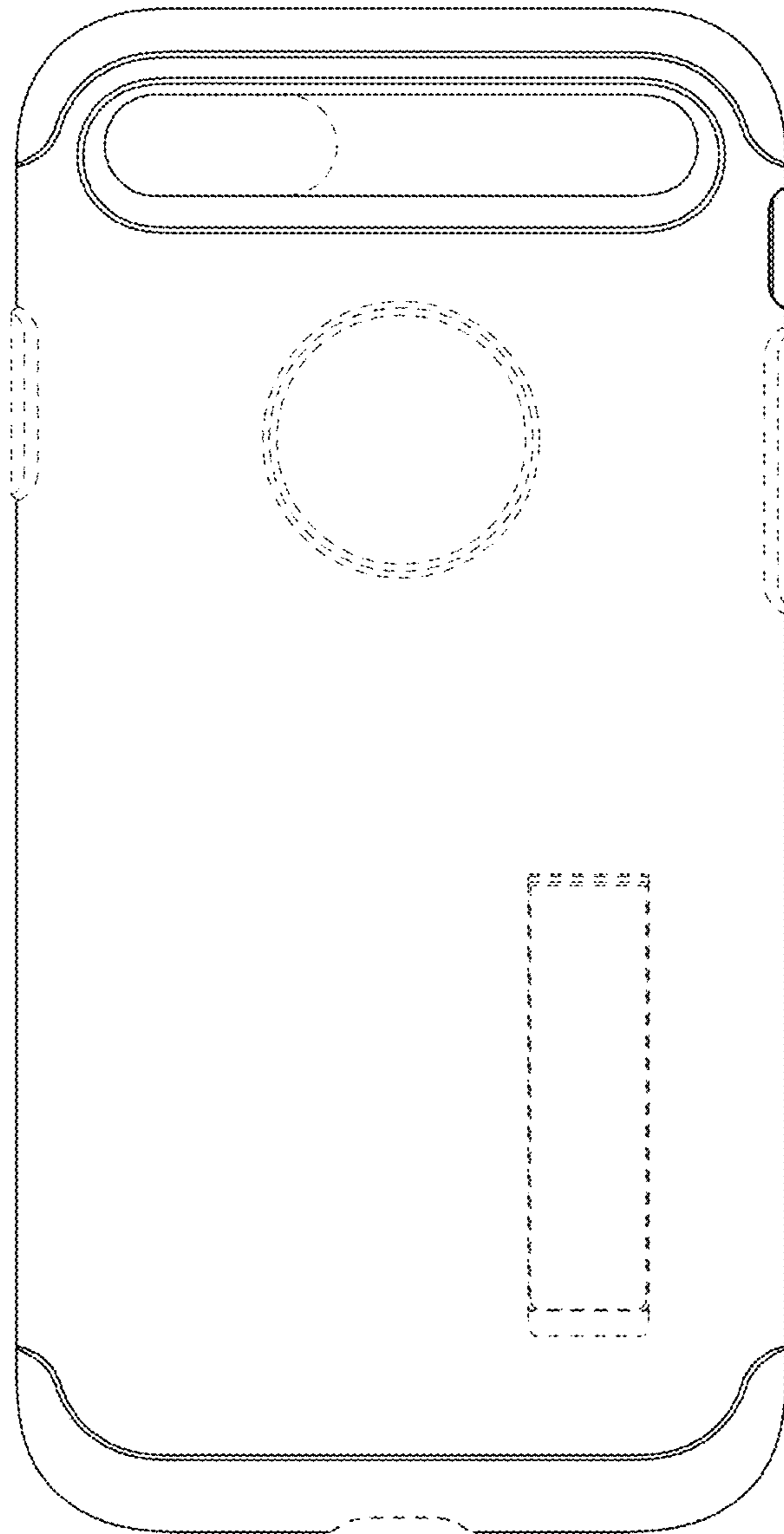


FIG. 5



FIG. 6

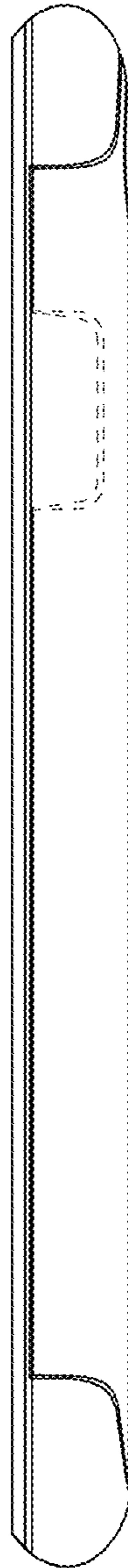


FIG. 7

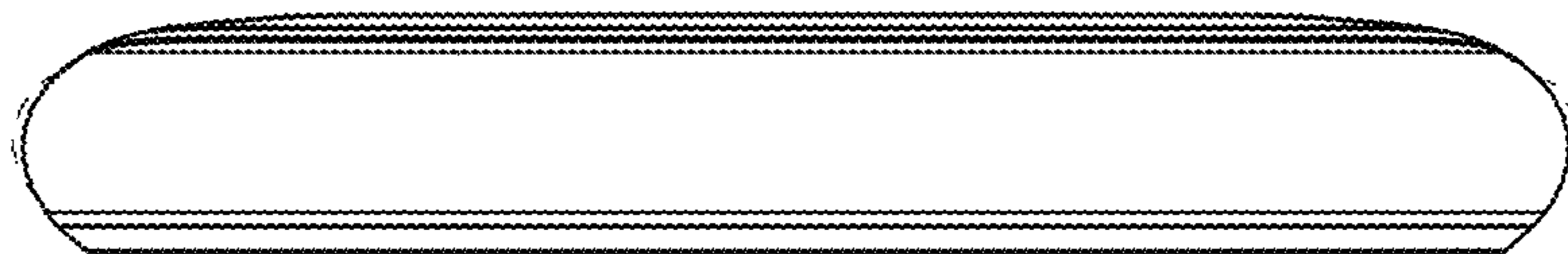


FIG. 8

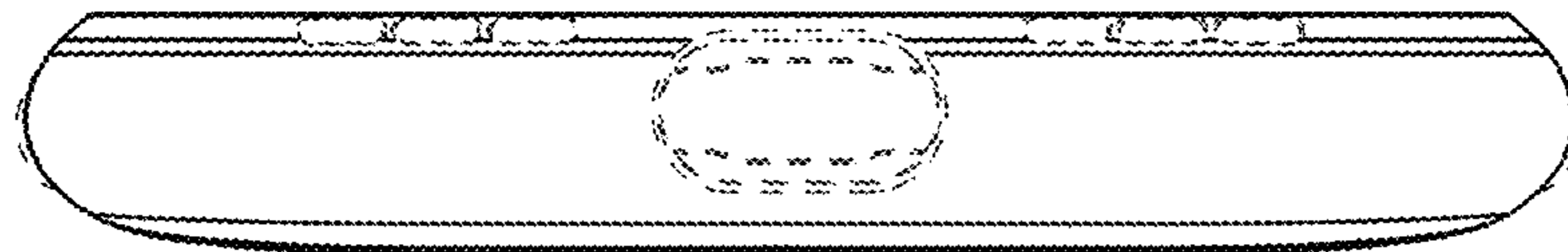


FIG. 9

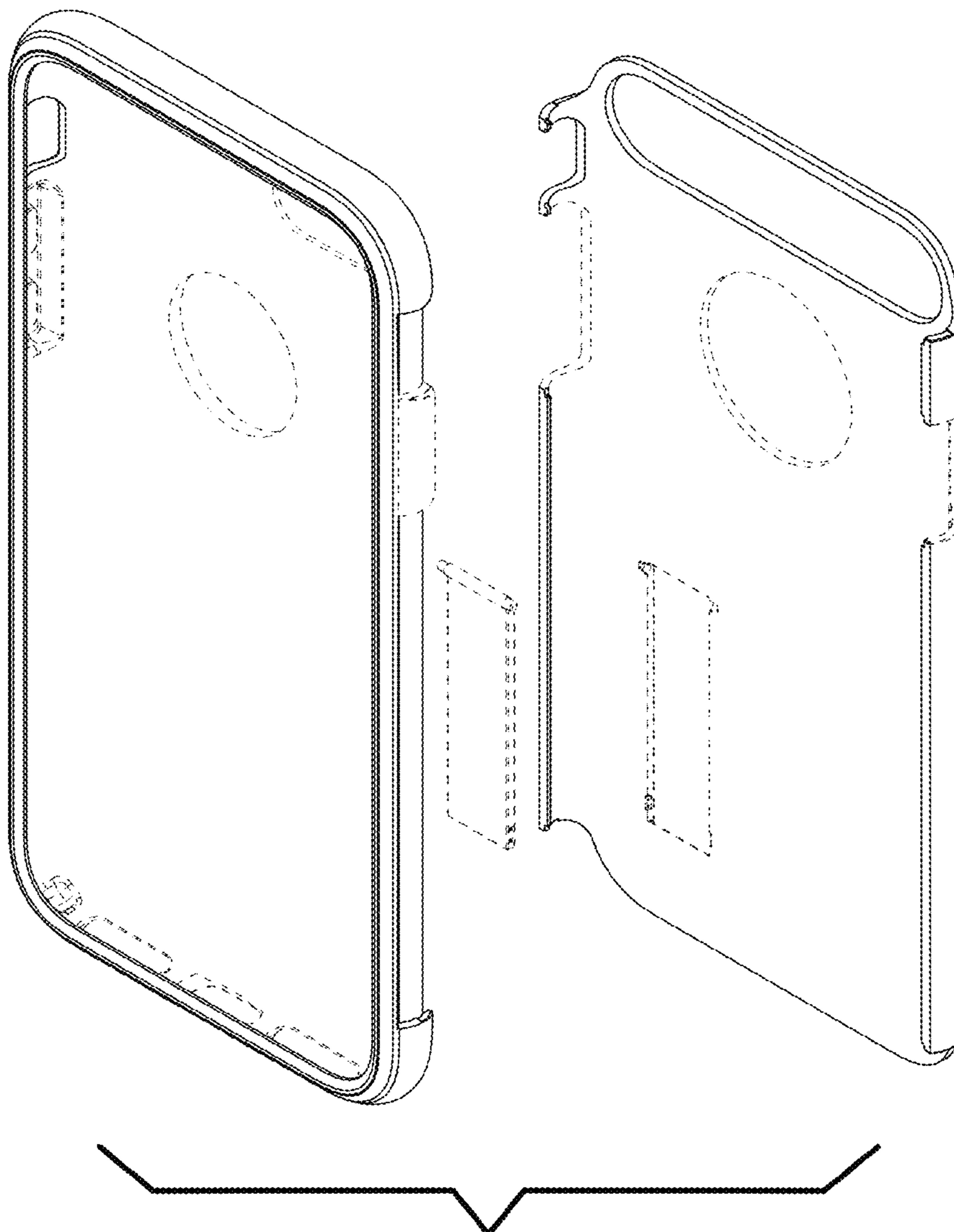


FIG. 10

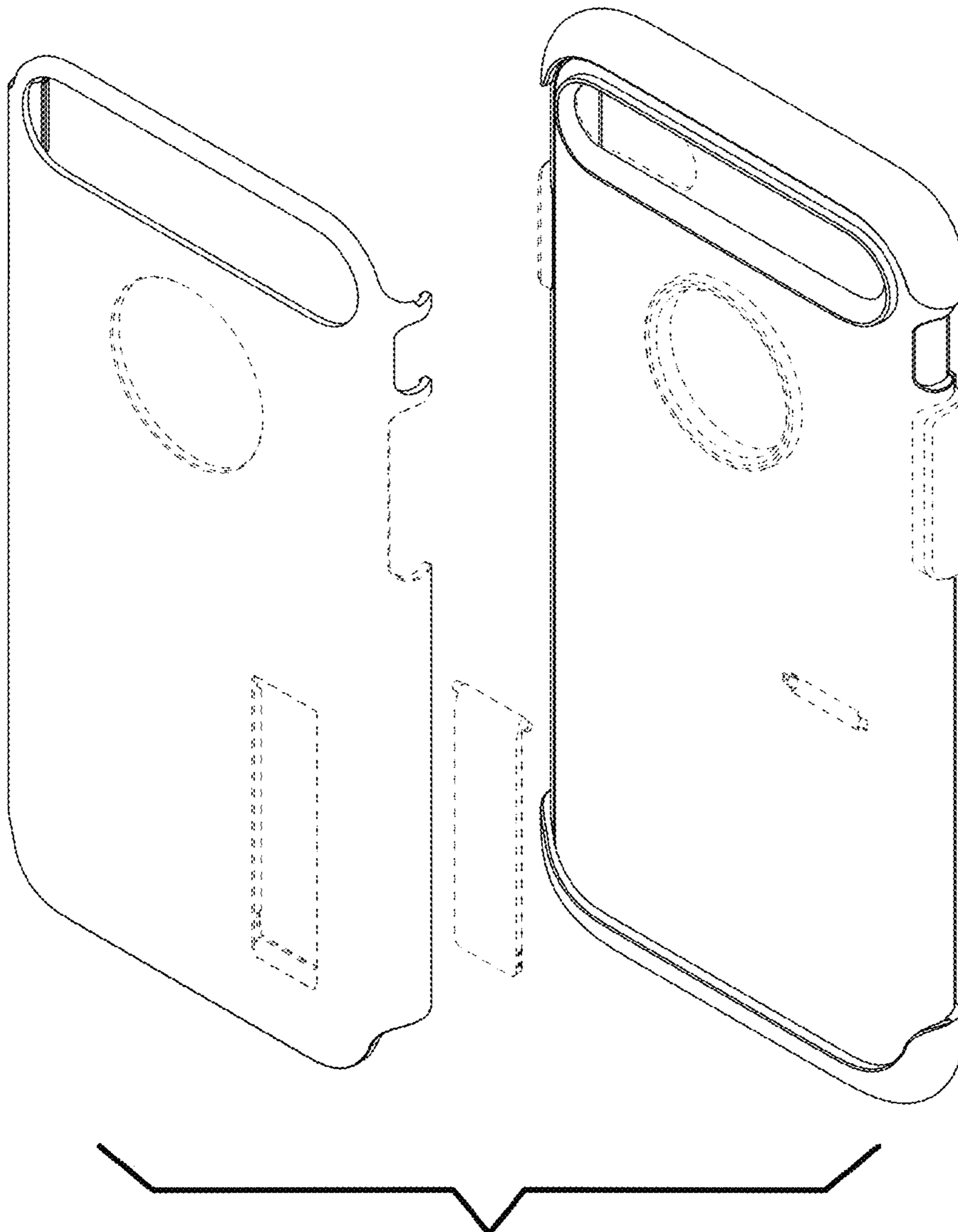


FIG. 11

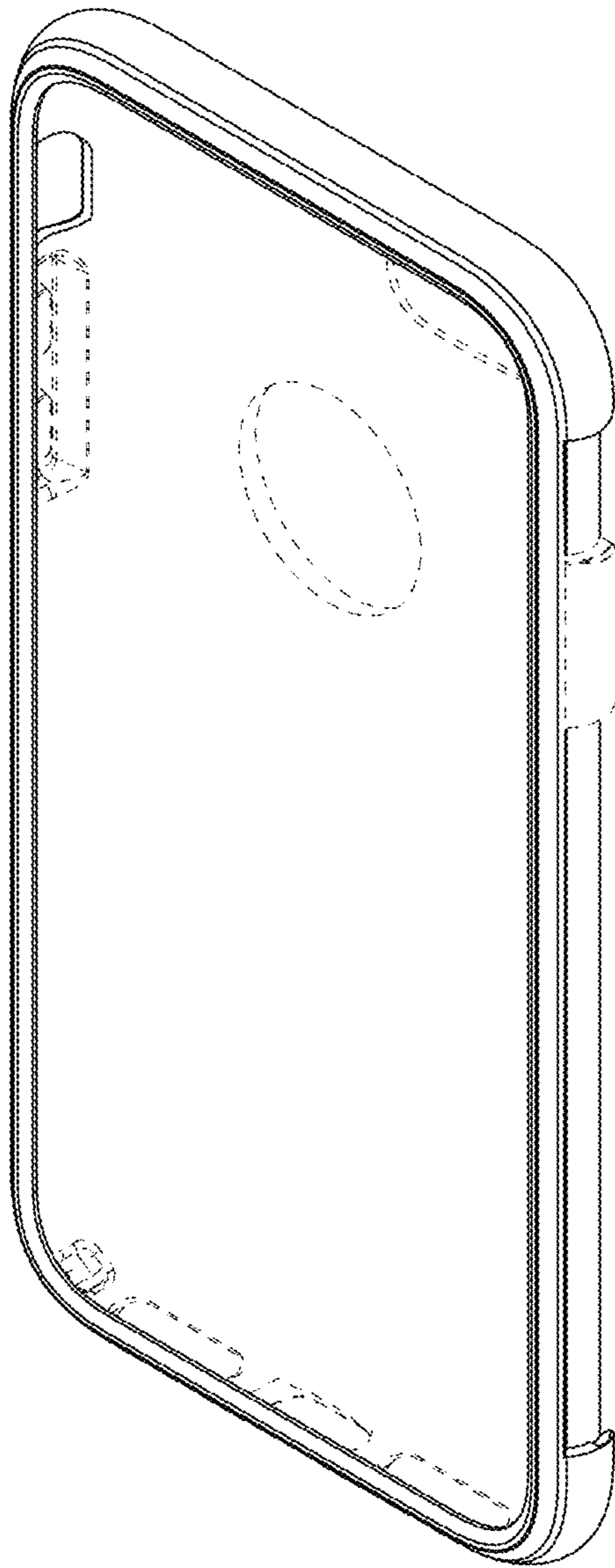


FIG. 12

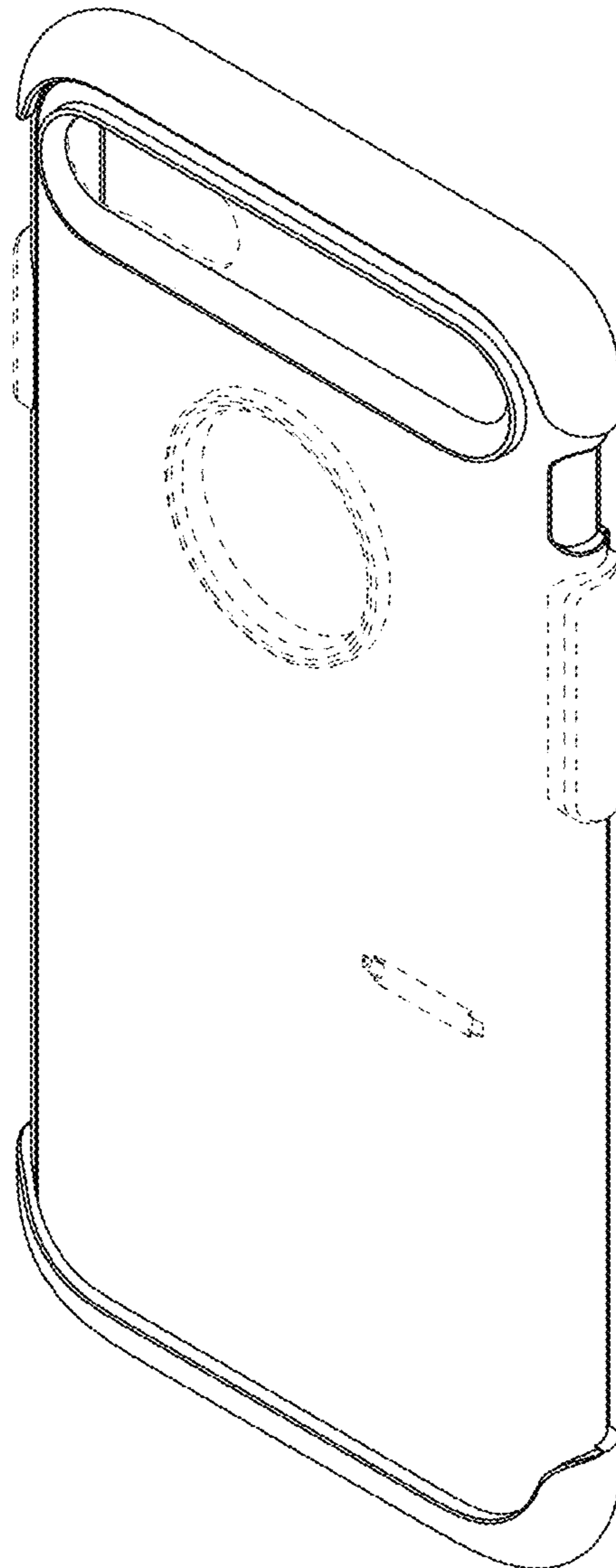


FIG. 13

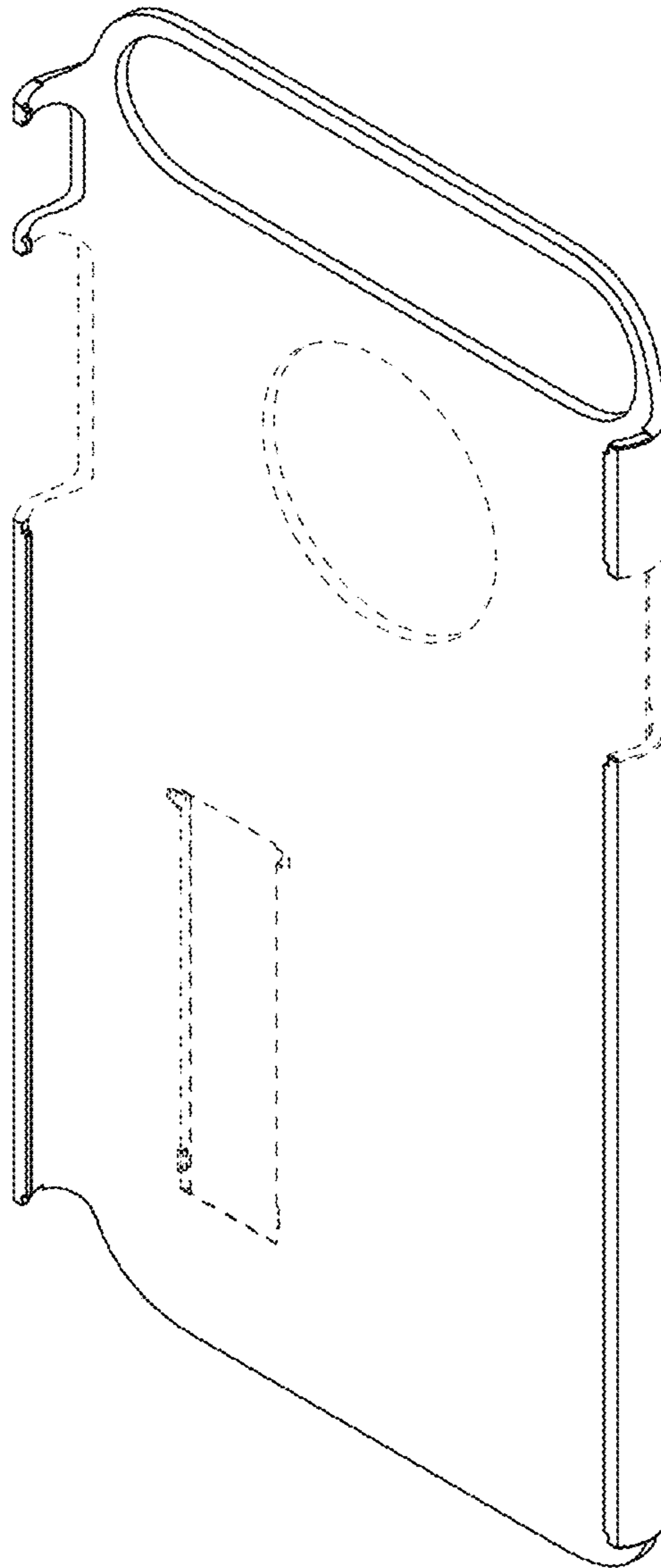


FIG. 14

