



US00D880465S

(12) **United States Design Patent** (10) **Patent No.:** **US D880,465 S**  
**Altschul et al.** (45) **Date of Patent:** **\*\* \*Apr. 7, 2020**

(54) **POCKET CASE FOR MOBILE COMMUNICATIONS DEVICE COMBINED WITH CARRYING COMPARTMENT FOR CREDIT CARD SIZED ITEMS**  
(71) Applicants: **Matthew Altschul**, Austin, TX (US); **Michael J. Martin**, Portland, OR (US); **Beejan Soheili**, Chula Vista, CA (US)

(72) Inventors: **Matthew Altschul**, Austin, TX (US); **Michael J. Martin**, Portland, OR (US); **Beejan Soheili**, Chula Vista, CA (US)

(73) Assignee: **CATALYST MEDIUM FOUR, INC.**, Austin, TX (US)

(\*) Notice: This patent is subject to a terminal disclaimer.

(\*\*) Term: **15 Years**

(21) Appl. No.: **29/582,372**

(22) Filed: **Oct. 27, 2016**

(51) **LOC (12) Cl.** ..... **14-03**

(52) **U.S. Cl.**  
USPC ..... **D14/250**

(58) **Field of Classification Search**  
USPC ..... D14/439, 203.3–203.7, 447, 238.1, D14/251–253, 217, 240, 250, 440, 248; D3/201, 218, 247, 269, 273, 301, 303; D13/107–108, 103, 119  
CPC ..... H04B 1/3888; H04M 1/0283; H04M 1/0202; A45C 1/06; A45C 11/00; A45C 13/02; A45C 2011/002; A45F 2005/026; A45F 2200/0525; A45F 2200/0516  
See application file for complete search history.

(56) **References Cited**

**U.S. PATENT DOCUMENTS**

D615,078 S \* 5/2010 Bradley ..... D14/250  
D624,064 S \* 9/2010 Esposito ..... D14/250

D653,656 S \* 2/2012 Charnas ..... D14/250  
D678,871 S \* 3/2013 Mishan ..... D14/250  
D679,684 S \* 4/2013 Baker ..... D14/250  
D688,654 S \* 8/2013 Stevinson ..... D14/250  
D688,655 S \* 8/2013 Rey-Hipolito ..... D14/250  
D703,651 S \* 4/2014 Ehrlich ..... D14/250  
D705,764 S \* 5/2014 Thoni ..... D14/250

(Continued)

*Primary Examiner* — Carla J Wright

(74) *Attorney, Agent, or Firm* — Scheinberg & Associates, PC; John B. Kelly; Michael O. Scheinberg

(57) **CLAIM**

The ornamental design for a pocket case for mobile communications device combined with carrying compartment for credit card sized items, as shown and described.

**DESCRIPTION**

FIG. 1 is a back elevation view of a pocket case for mobile communications device combined with carrying compartment for credit card sized items according to the present design.

FIG. 2 is a front elevation view thereof.

FIG. 3 is a back, left-side, and bottom perspective view thereof.

FIG. 4 is a back, right-side, and bottom perspective view thereof.

FIG. 5 is a back, right-side, and top perspective view thereof.

FIG. 6 is a back, left-side, and top perspective view thereof.

FIG. 7 is a left-side elevation view thereof.

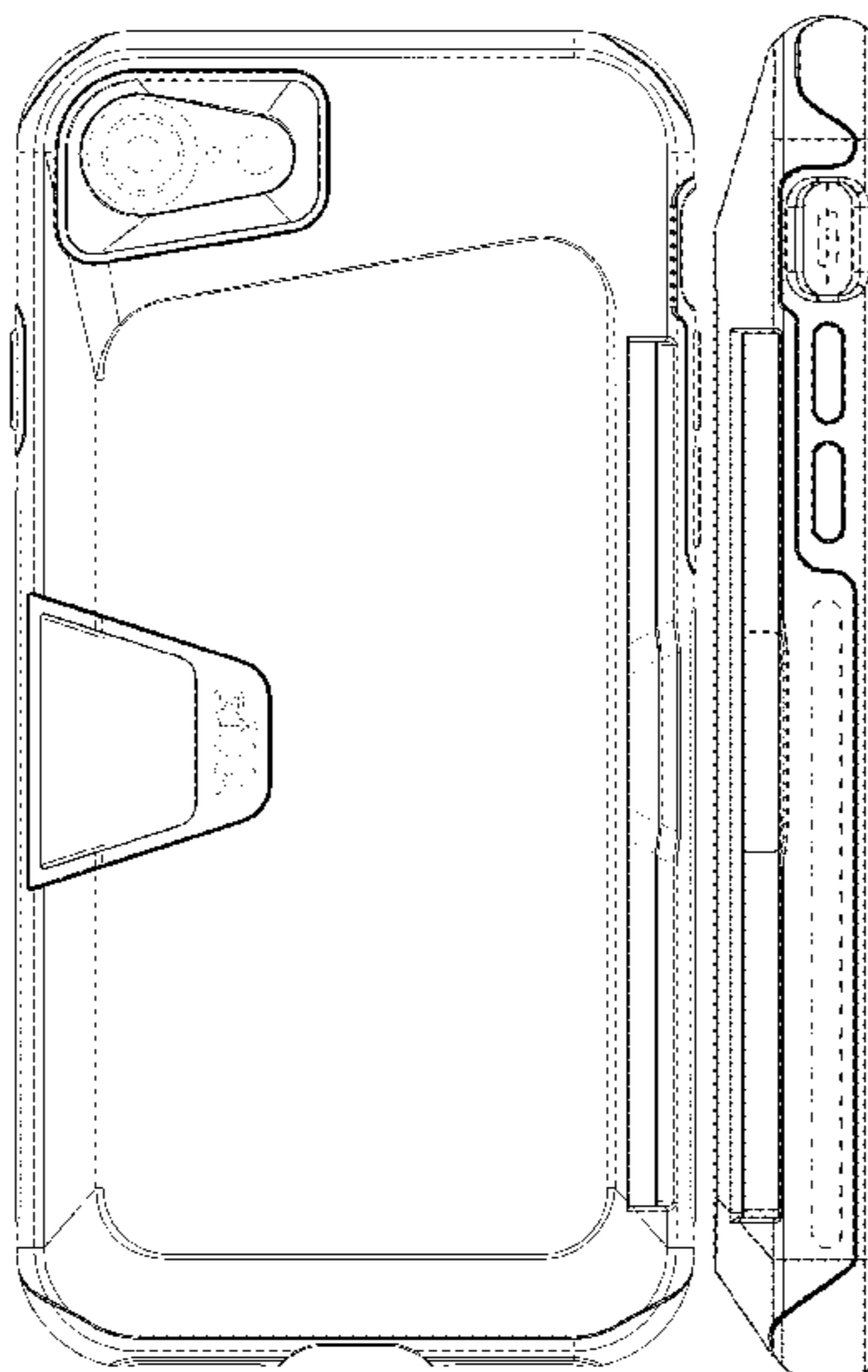
FIG. 8 is a right-side elevation view thereof.

FIG. 9 is a bottom plan view thereof; and,

FIG. 10 is a top plan view thereof.

The broken lines throughout the drawing figures depict an environmental mobile communications device within the pocket case and portions of the pocket case that form no part of the claimed design.

**1 Claim, 8 Drawing Sheets**



(56)

**References Cited**

U.S. PATENT DOCUMENTS

D712,890	S *	9/2014	McCormac	.....	D14/250
D719,143	S *	12/2014	Vidovic	.....	D14/250
D721,689	S *	1/2015	Altschul	.....	H04B 1/3888 D14/250
D759,966	S *	6/2016	Pignotti	.....	D3/247
D765,069	S *	8/2016	Jeffrey	.....	D14/250
D772,212	S *	11/2016	Daniel	.....	D14/250
D776,101	S *	1/2017	Poon	.....	D14/250
D776,646	S *	1/2017	Deng	.....	D14/250
D816,653	S *	5/2018	Yu	.....	D14/250
D824,892	S *	8/2018	Altschul	.....	D14/250
D830,352	S *	10/2018	Chung	.....	D14/250
D831,630	S *	10/2018	Altschul	.....	D14/250
D836,096	S *	12/2018	Altschul	.....	D14/250
D836,620	S *	12/2018	Ehrlich	.....	D14/250
2013/0095898	A1 *	4/2013	Altschul	.....	H04M 1/0283 455/575.8
2015/0027802	A1 *	1/2015	Altschul	.....	A45C 11/00 181/177

\* cited by examiner

FIG. 1

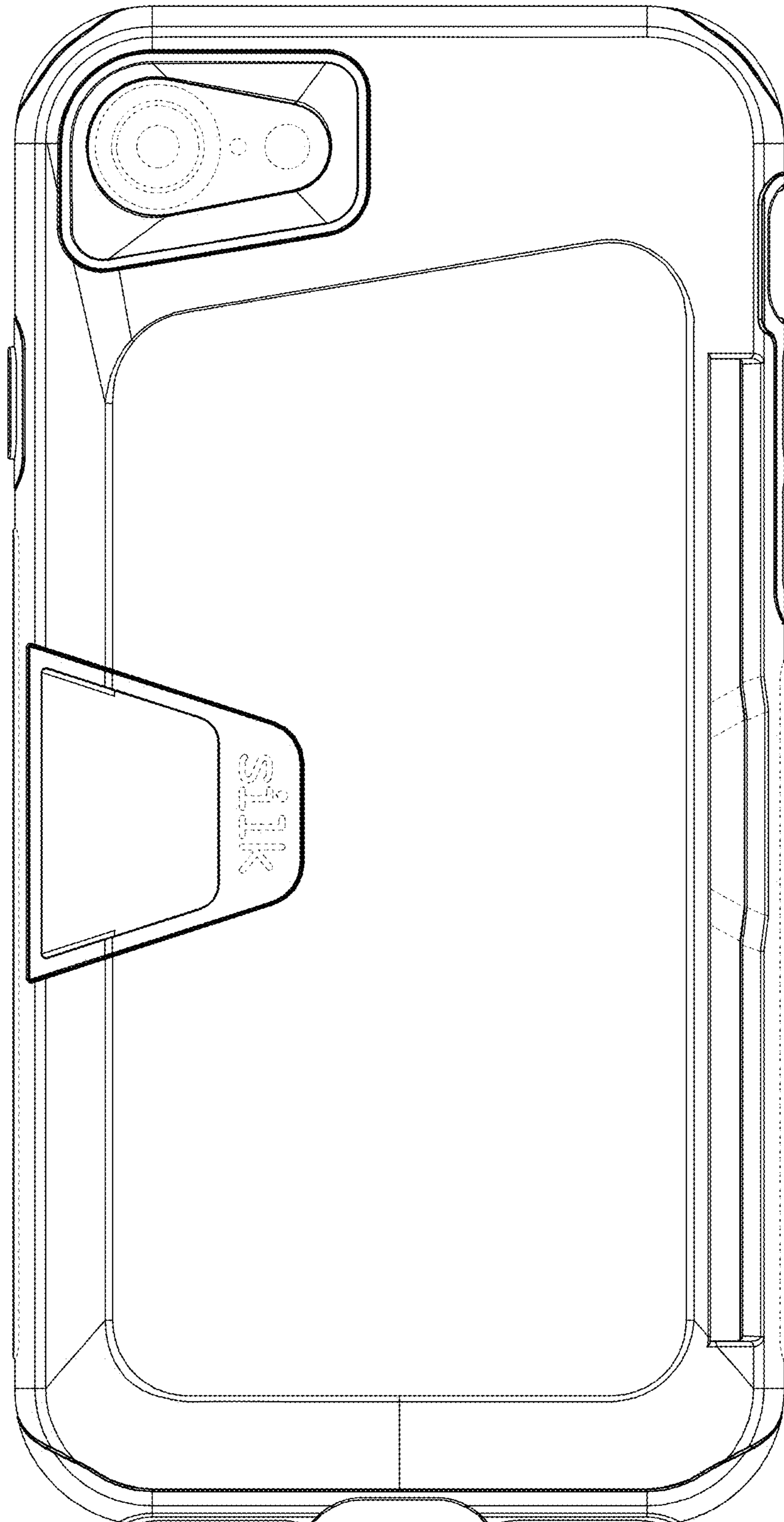


FIG. 2

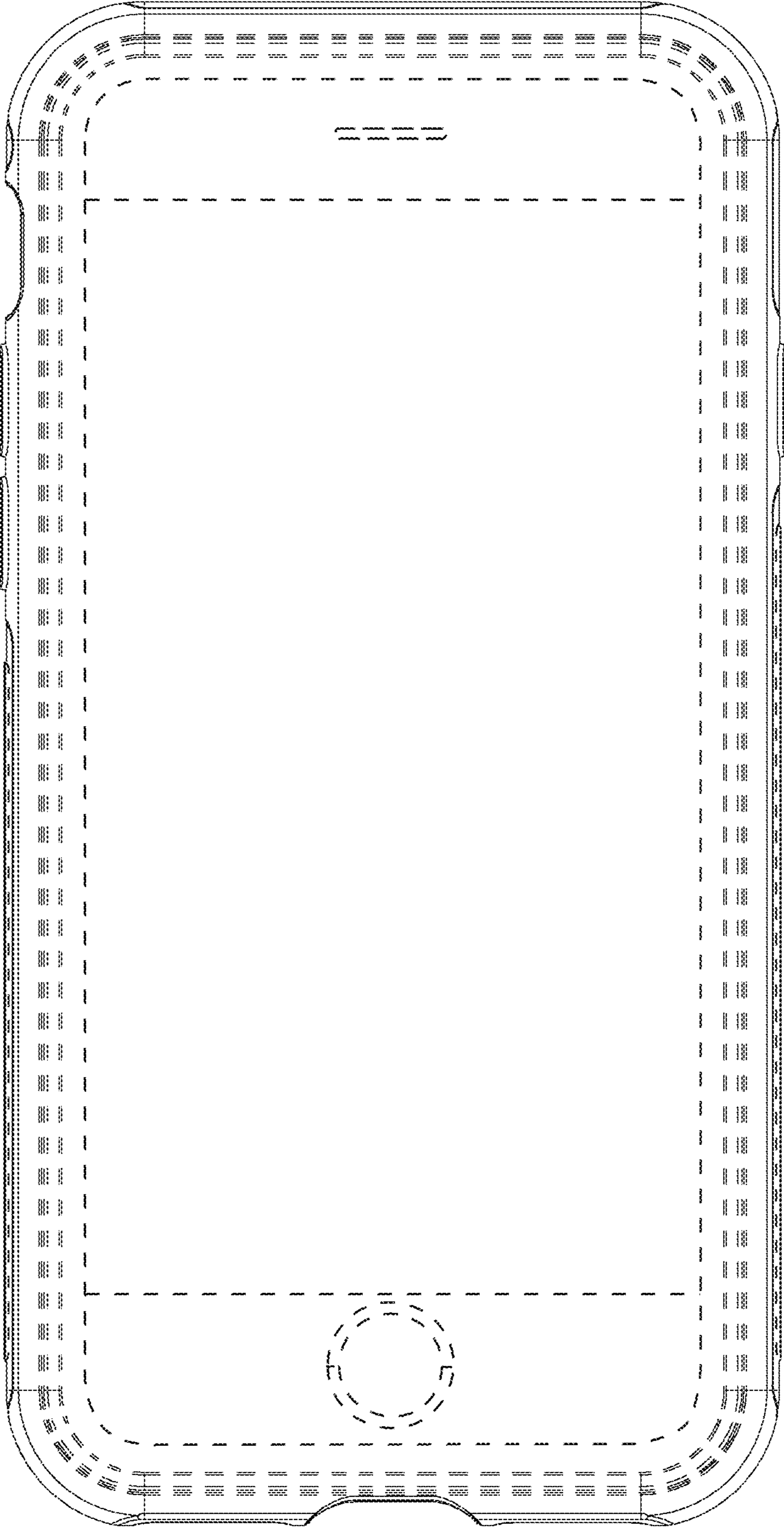




FIG. 3

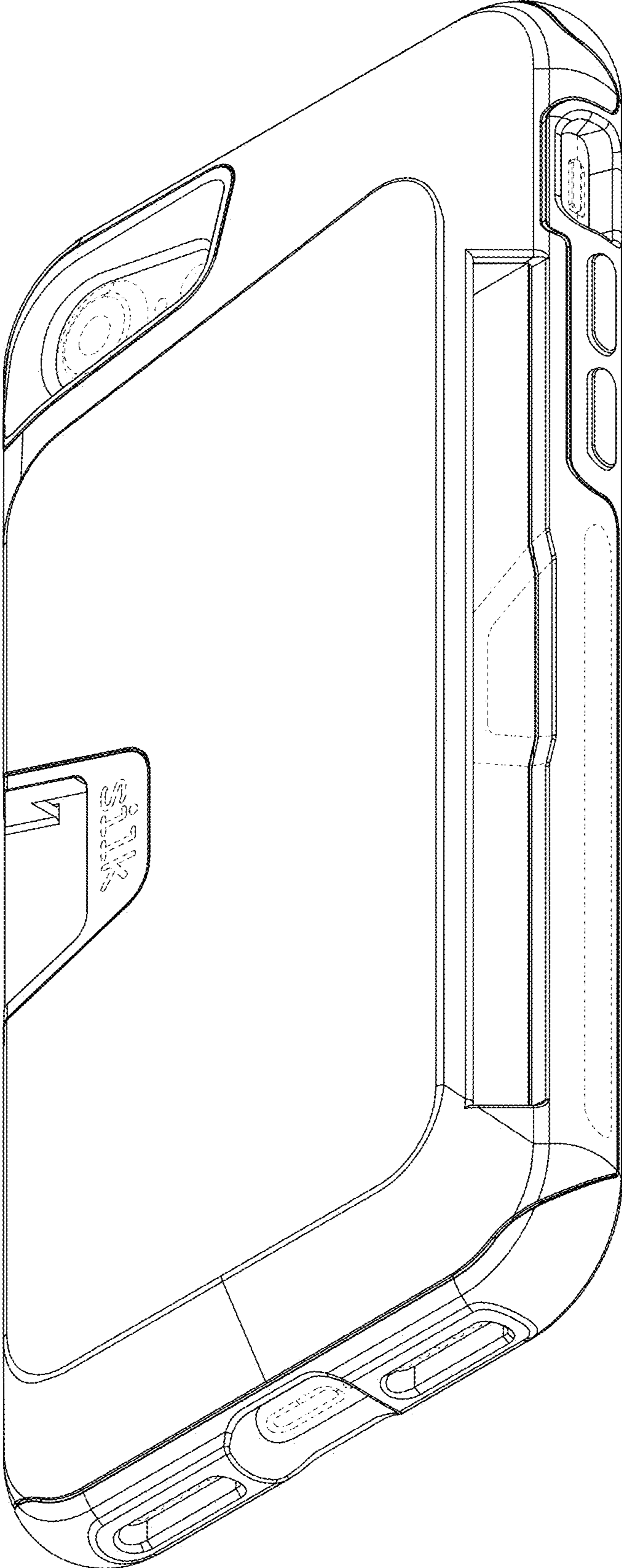


FIG. 4

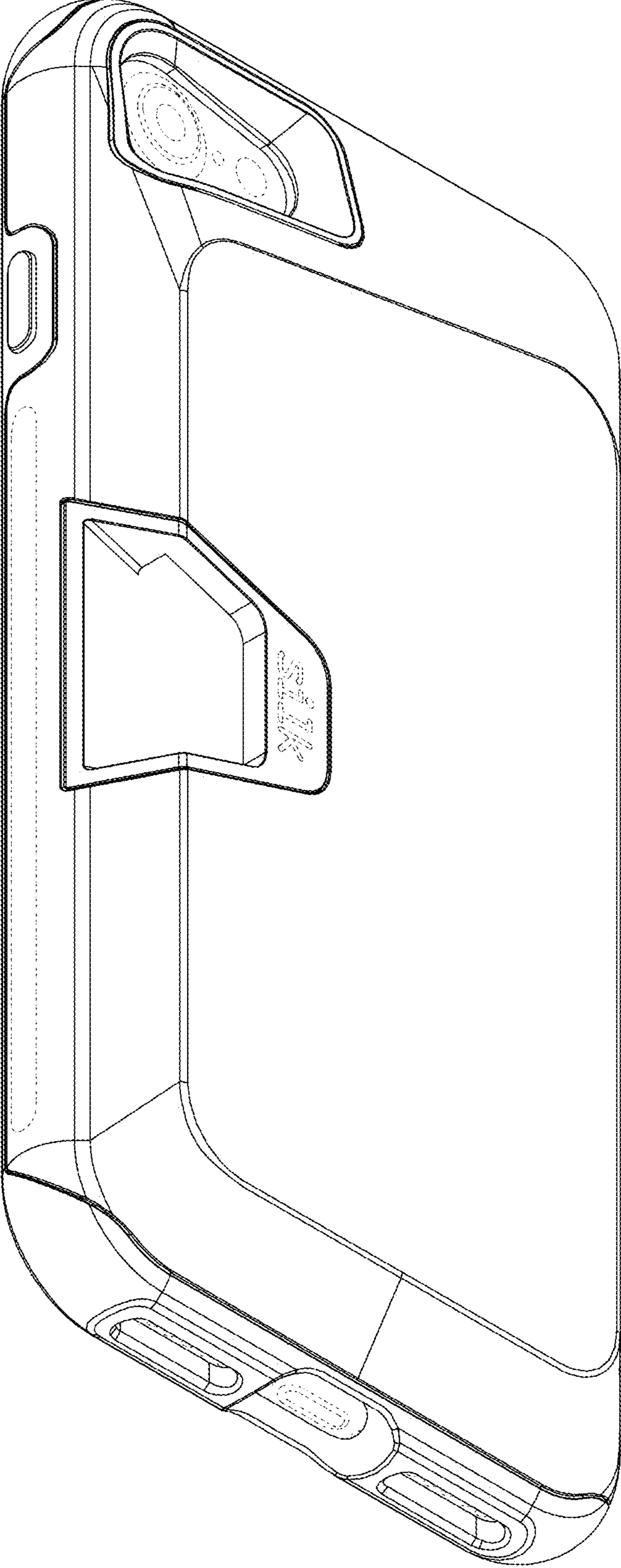


FIG. 5

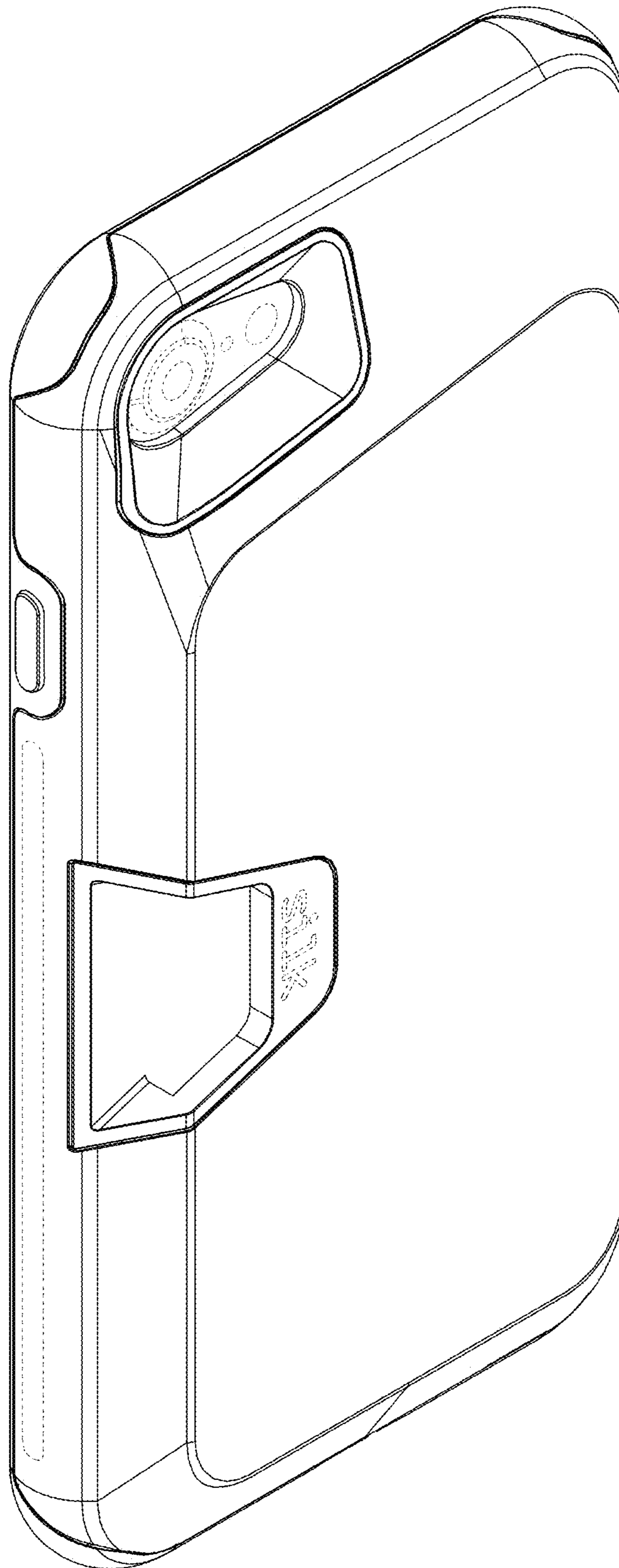
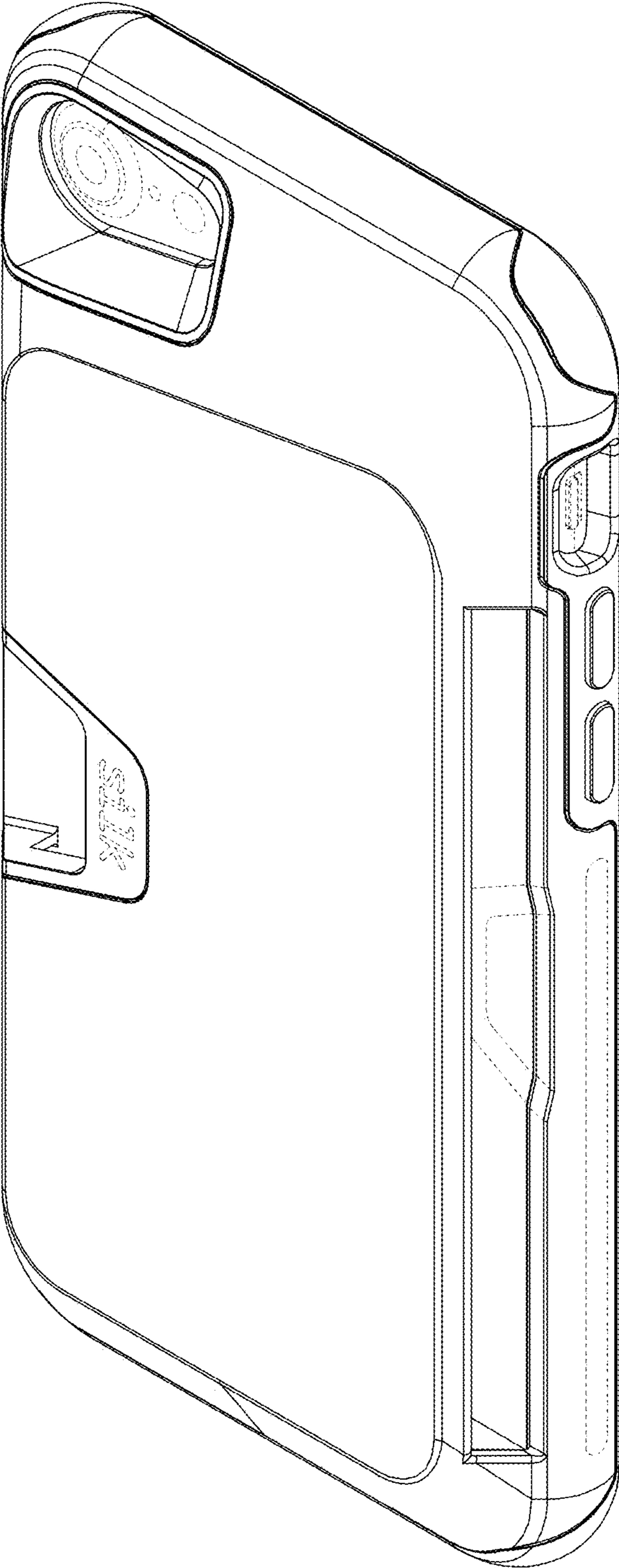


FIG. 6





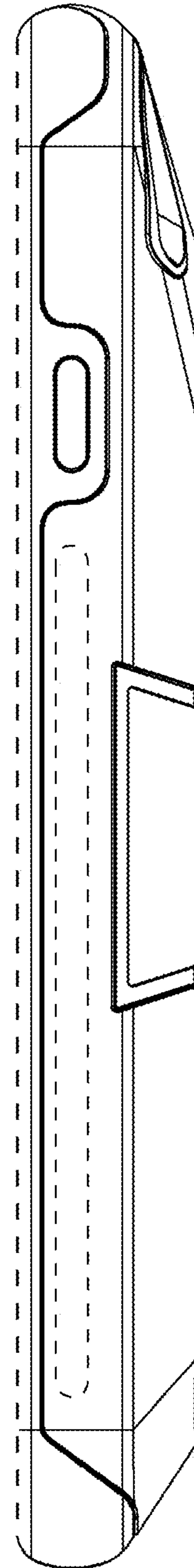
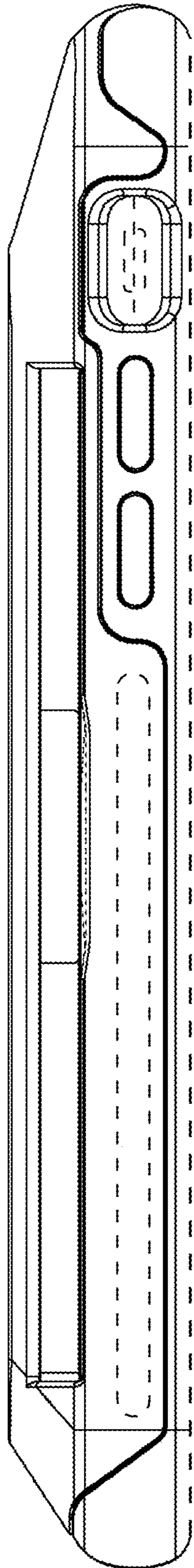


FIG. 9

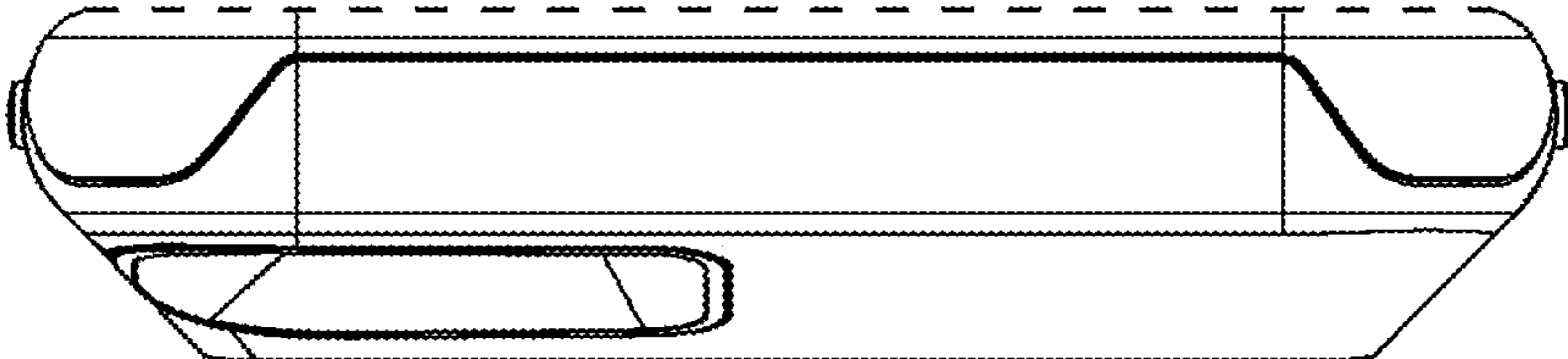
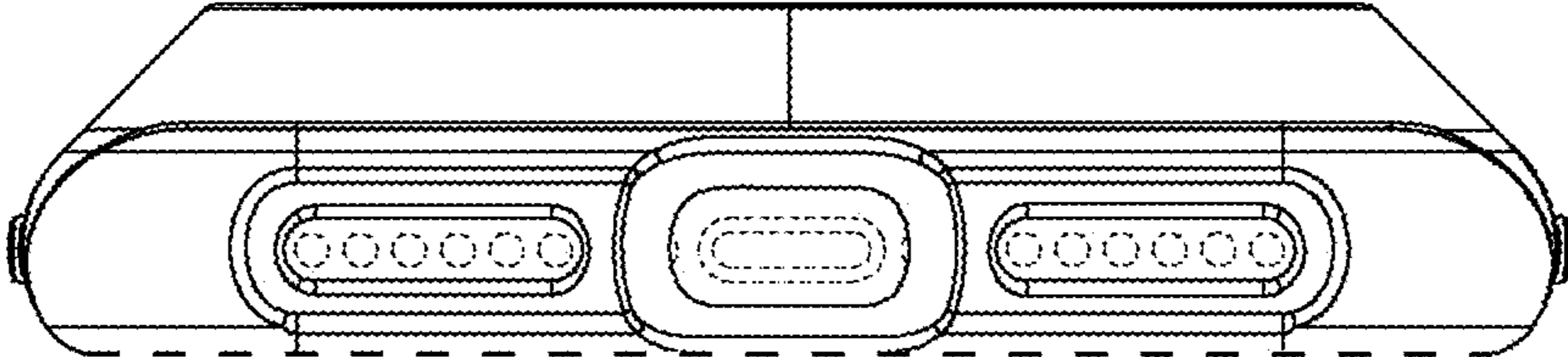


FIG. 10