



US00D880461S

(12) **United States Design Patent**  
**Ushijima et al.**

(10) **Patent No.:** **US D880,461 S**

(45) **Date of Patent:** **\*\* Apr. 7, 2020**

(54) **SUBSTRATE FOR ANTENNA DEVICE**

(71) Applicant: **Mitsubishi Electric Corporation,**  
Tokyo (JP)

(72) Inventors: **Yu Ushijima,** Tokyo (JP); **Ryo Ueda,**  
Tokyo (JP); **Hidenori Ishibashi,** Tokyo  
(JP); **Takashi Maruyama,** Tokyo (JP)

(73) Assignee: **Mitsubishi Electric Corporation,**  
Tokyo (JP)

(\*\*) Term: **15 Years**

(21) Appl. No.: **29/645,344**

(22) Filed: **Apr. 25, 2018**

(30) **Foreign Application Priority Data**

Jan. 19, 2018 (JP) ..... 2018-000860  
Jan. 19, 2018 (JP) ..... 2018-000861

(51) **LOC (12) Cl.** ..... **14-03**

(52) **U.S. Cl.**  
USPC ..... **D14/230**

(58) **Field of Classification Search**  
USPC ..... D14/230  
CPC .. H01Q 1/24; H01Q 1/22; H01Q 1/38; H01Q  
9/28; H01Q 1/12  
See application file for complete search history.

(56) **References Cited**

**U.S. PATENT DOCUMENTS**

2,027,624 A \* 1/1936 Bastow ..... B65D 17/523  
40/307  
2,253,481 A \* 8/1941 Eberts ..... B67B 7/24  
30/450  
2,480,155 A \* 8/1949 Masters ..... H01Q 9/285  
343/795  
2,631,235 A \* 3/1953 Sheriff ..... H01Q 5/48  
343/794  
D413,329 S \* 8/1999 Lin ..... D14/230

D416,022 S \* 11/1999 Lin ..... D14/230  
D609,700 S \* 2/2010 Takahashi ..... D14/230  
D612,371 S \* 3/2010 Suleiman ..... D14/234  
D619,568 S \* 7/2010 Kuramoto ..... D14/230  
D623,175 S \* 9/2010 Suleiman ..... D14/230  
D656,131 S \* 3/2012 Suleiman ..... D14/230  
D665,385 S \* 8/2012 Conrad ..... D14/230  
D754,641 S \* 4/2016 Suleiman ..... D14/230  
D802,563 S \* 11/2017 Manivannan ..... D14/230  
D806,689 S \* 1/2018 Deng ..... D14/234  
D857,671 S \* 8/2019 Montgomery ..... D14/230

(Continued)

**OTHER PUBLICATIONS**

Planar dipole antenna on a dielectric substrate. publication date Feb. 2014, [https://www.researchgate.net/figure/Planar-dipole-antenna-on-a-dielectric-substrate\\_fig1\\_...](https://www.researchgate.net/figure/Planar-dipole-antenna-on-a-dielectric-substrate_fig1_...) site visited Sep. 21, 2019.\*

*Primary Examiner* — Lilyana Bekic

*Assistant Examiner* — John R Yeh

(74) *Attorney, Agent, or Firm* — Studebaker & Brackett  
PC

(57) **CLAIM**

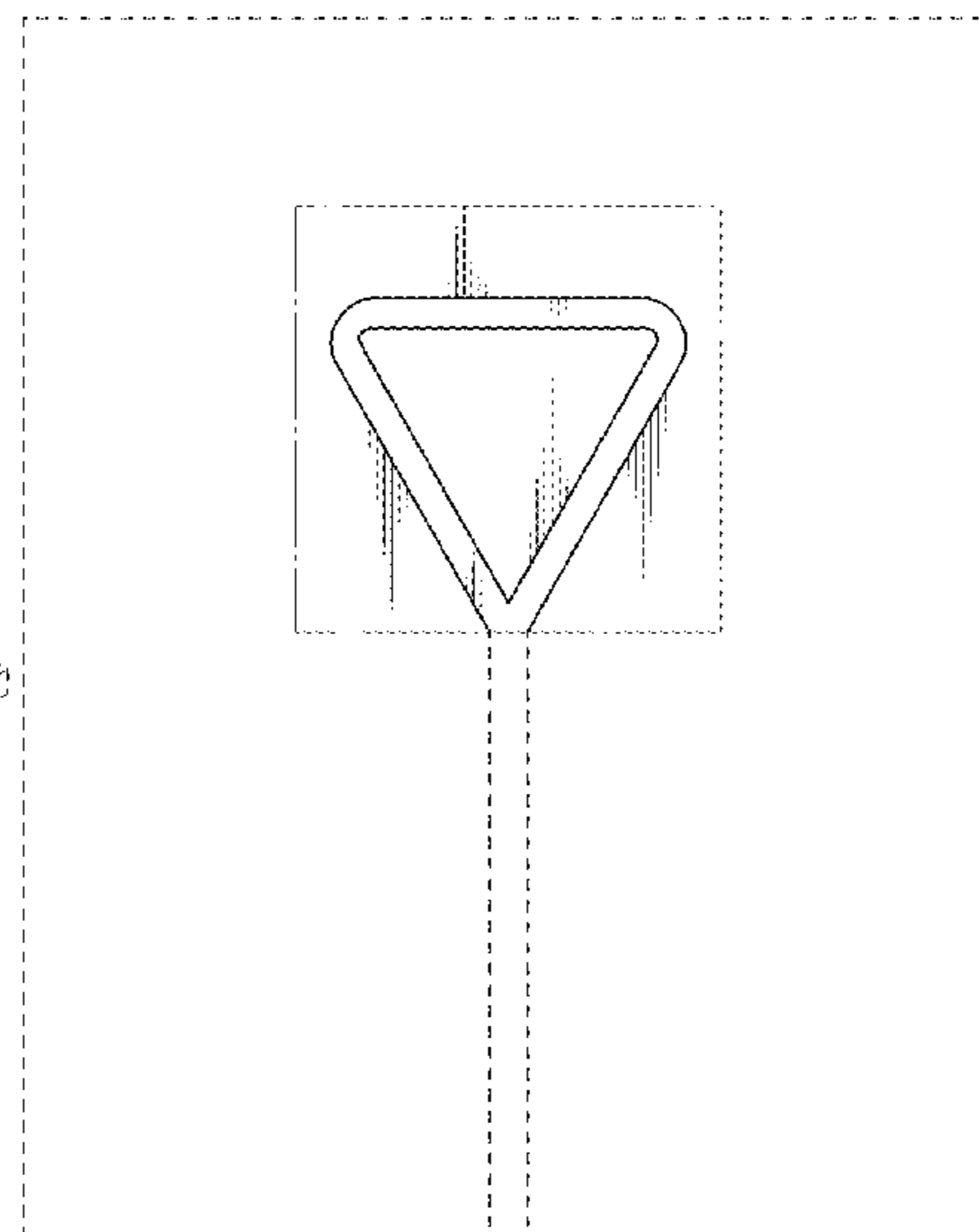
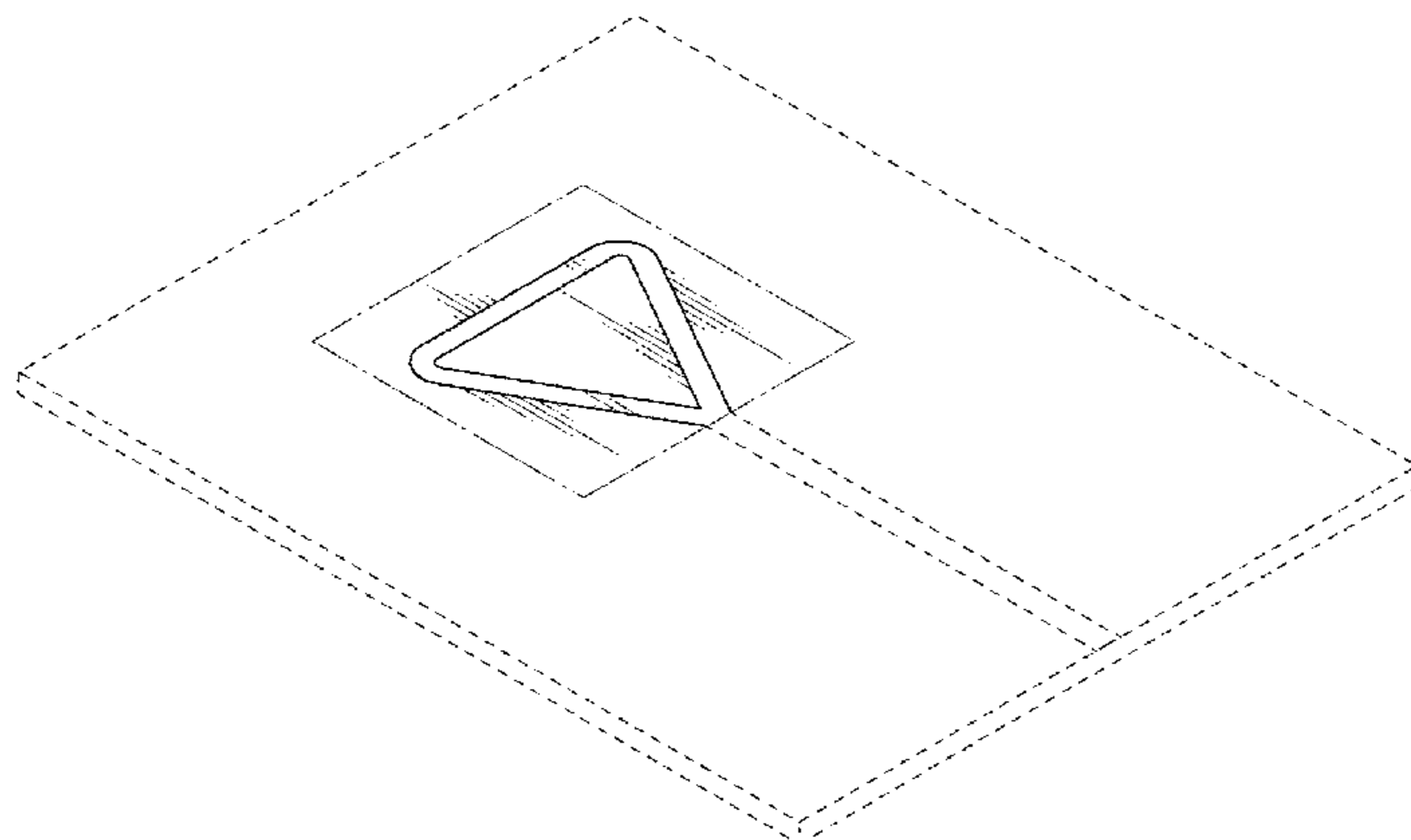
The ornamental design for a substrate for antenna device, as shown and described.

**DESCRIPTION**

FIG. 1 is a front, bottom, and left side perspective view for a substrate for antenna device showing our new design; FIG. 2 is a front view thereof; FIG. 3 is a rear view thereof; FIG. 4 is a top view thereof, the bottom view being identical thereof; and, FIG. 5 is a right side view thereof, the left side view being identical thereof.

The dashed lines depict portions of the substrate for antenna device that form no part of the claimed design. The dot-dash lines define the bounds of the claimed design and form no part thereof.

**1 Claim, 4 Drawing Sheets**



(56)

**References Cited**

## U.S. PATENT DOCUMENTS

D857,675 S \* 8/2019 Wu ..... D14/230  
D865,726 S \* 11/2019 Oliver ..... D14/230  
2004/0017325 A1\* 1/2004 Satoh ..... H01Q 1/38  
343/795  
2007/0164906 A1\* 7/2007 Tsai ..... H01Q 1/24  
343/700 MS  
2010/0033709 A1\* 2/2010 Lampin ..... H01Q 1/38  
356/51  
2012/0154234 A1\* 6/2012 Geiler ..... H01Q 9/28  
343/787  
2012/0293381 A1\* 11/2012 Apostolos ..... H01Q 1/3291  
343/713  
2013/0194153 A1\* 8/2013 Puente Baliarda ..... H01Q 1/36  
343/860  
2013/0194154 A1\* 8/2013 Puente Baliarda ..... H01Q 1/36  
343/860  
2013/0222199 A1\* 8/2013 Apostolos ..... H01Q 9/28  
343/795  
2013/0285859 A1\* 10/2013 Puente Baliarda ..... H01Q 1/36  
343/700 MS  
2014/0139389 A1\* 5/2014 Odorcic ..... H01Q 9/28  
343/834  
2019/0168932 A1\* 6/2019 Jevtic ..... B65D 47/0847

\* cited by examiner

Fig. 1

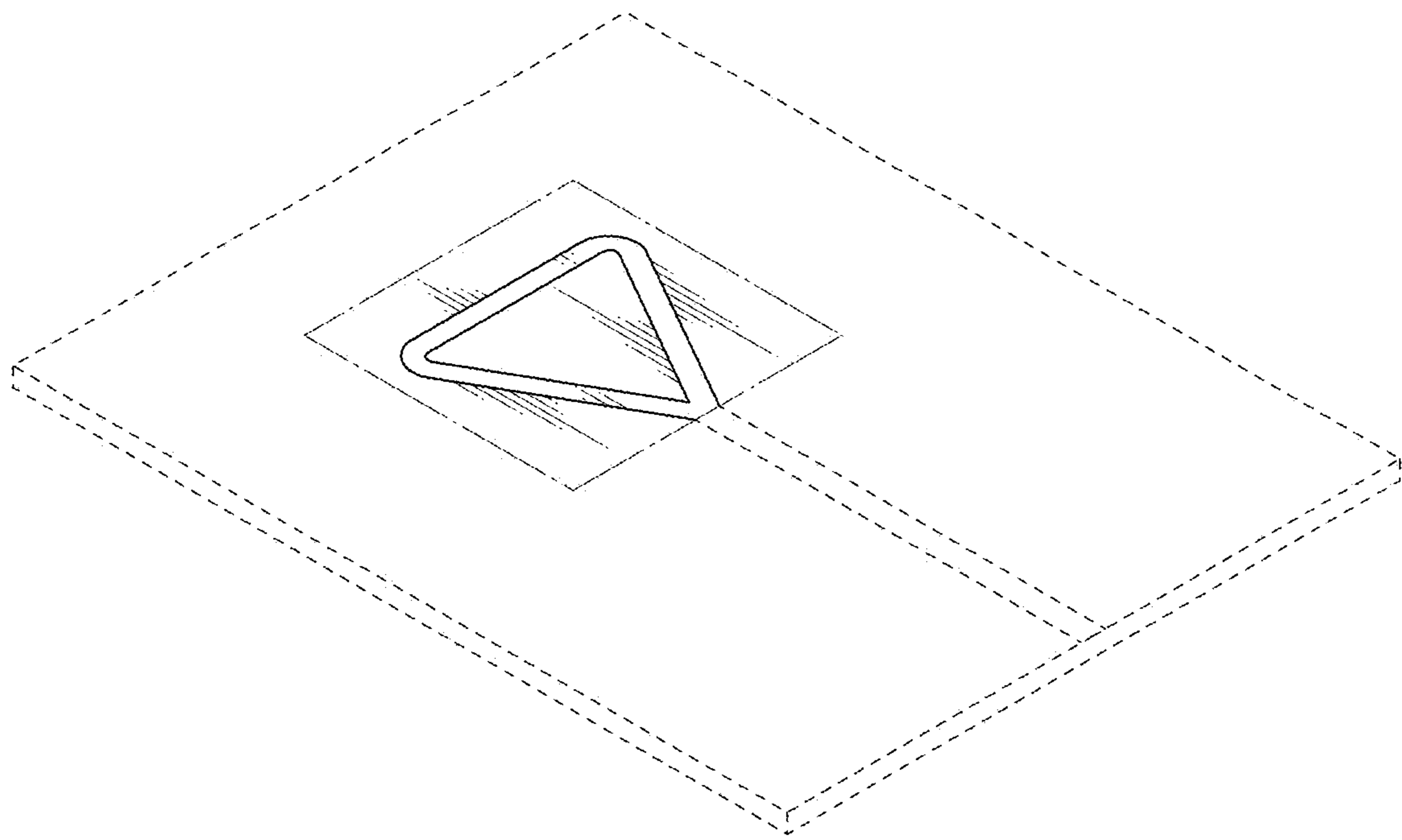


Fig. 2

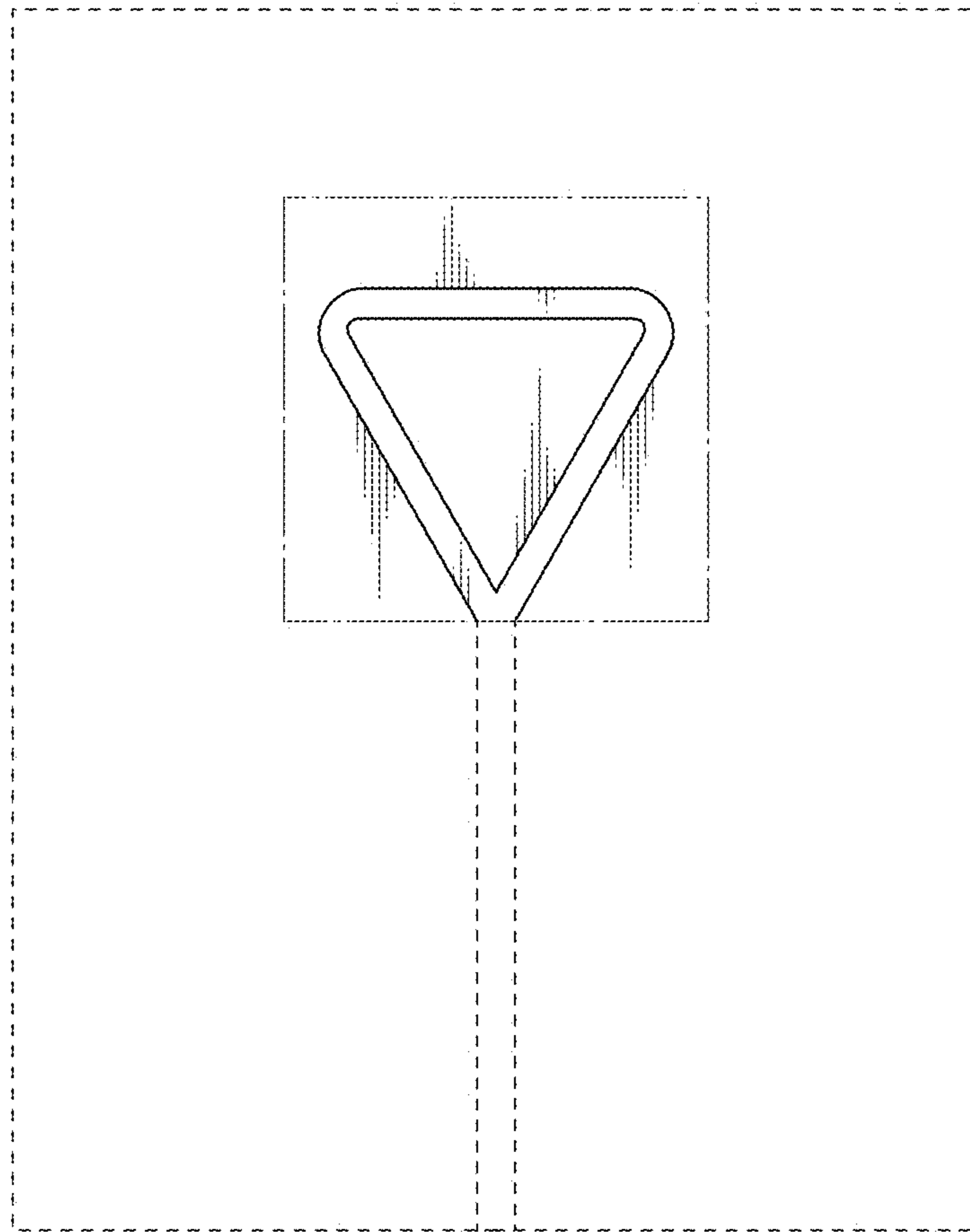


Fig. 3



Fig. 4

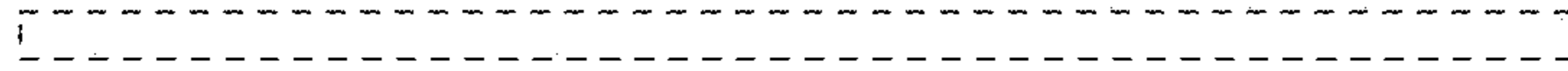


Fig. 5

